



US00D581292S

(12) **United States Design Patent**
Ellia

(10) **Patent No.:** **US D581,292 S**
(45) **Date of Patent:** **** Nov. 25, 2008**

(54) **WATCH**

(75) **Inventor:** **Guy Ellia, Paris (FR)**

(73) **Assignee:** **Societe Generale De Marques, SGM (CH)**

(**) **Term:** **14 Years**

(21) **Appl. No.:** **29/292,241**

(22) **Filed:** **Oct. 3, 2007**

(30) **Foreign Application Priority Data**

Apr. 5, 2007 (EM) 000703806-0001

(51) **LOC (8) Cl.** **10-02**

(52) **U.S. Cl.** **D10/39**

(58) **Field of Classification Search** D10/30-39,
D10/122-126; 368/276, 281, 282, 285, 80,
368/223, 228, 232

See application file for complete search history.

(56) **References Cited**

U.S. PATENT DOCUMENTS

D85,358 S *	10/1931	Weindel	D10/126
D217,003 S *	3/1970	Windebank	D10/126
3,626,410 A *	12/1971	deKoster	340/815.83
3,844,105 A *	10/1974	Kashio	368/82
4,095,405 A *	6/1978	Tanaka	368/34
4,255,806 A *	3/1981	Fahrenschon et al.	368/240
D291,871 S *	9/1987	Harvey	D10/126
D299,316 S *	1/1989	Vickery	D10/15
D313,187 S *	12/1990	Muller	D10/39
D351,799 S *	10/1994	Bulgari	D10/39
D363,251 S *	10/1995	Gardner	D10/126
D382,815 S *	8/1997	Riley	D10/30
D404,321 S *	1/1999	Dumas	D10/39

D436,044 S *	1/2001	Subilia	D10/30
D452,174 S *	12/2001	Giardiello	D10/32
6,379,037 B1 *	4/2002	Saleh et al.	368/185
D474,700 S *	5/2003	Court	D10/39
D475,935 S *	6/2003	Modolo	D10/39
D501,641 S *	2/2005	Sugiura	D10/39
D504,624 S *	5/2005	Bodino	D10/39
D512,923 S *	12/2005	Bolt et al.	D10/39
D518,743 S *	4/2006	Sugiura et al.	D10/32
D554,002 S *	10/2007	Journe	D10/31
D559,123 S *	1/2008	Modolo	D10/32

OTHER PUBLICATIONS

Watches International VI, The Original Annual of the World's Finest Wristwatches, copyright 2005, Tourbillon International, LLC., p. 289, Guy Ellia Round Square 2320 LV6 Convex watch No. 5.*

* cited by examiner

Primary Examiner—Lucy Lieberman

(74) *Attorney, Agent, or Firm*—Kusner & Jaffe

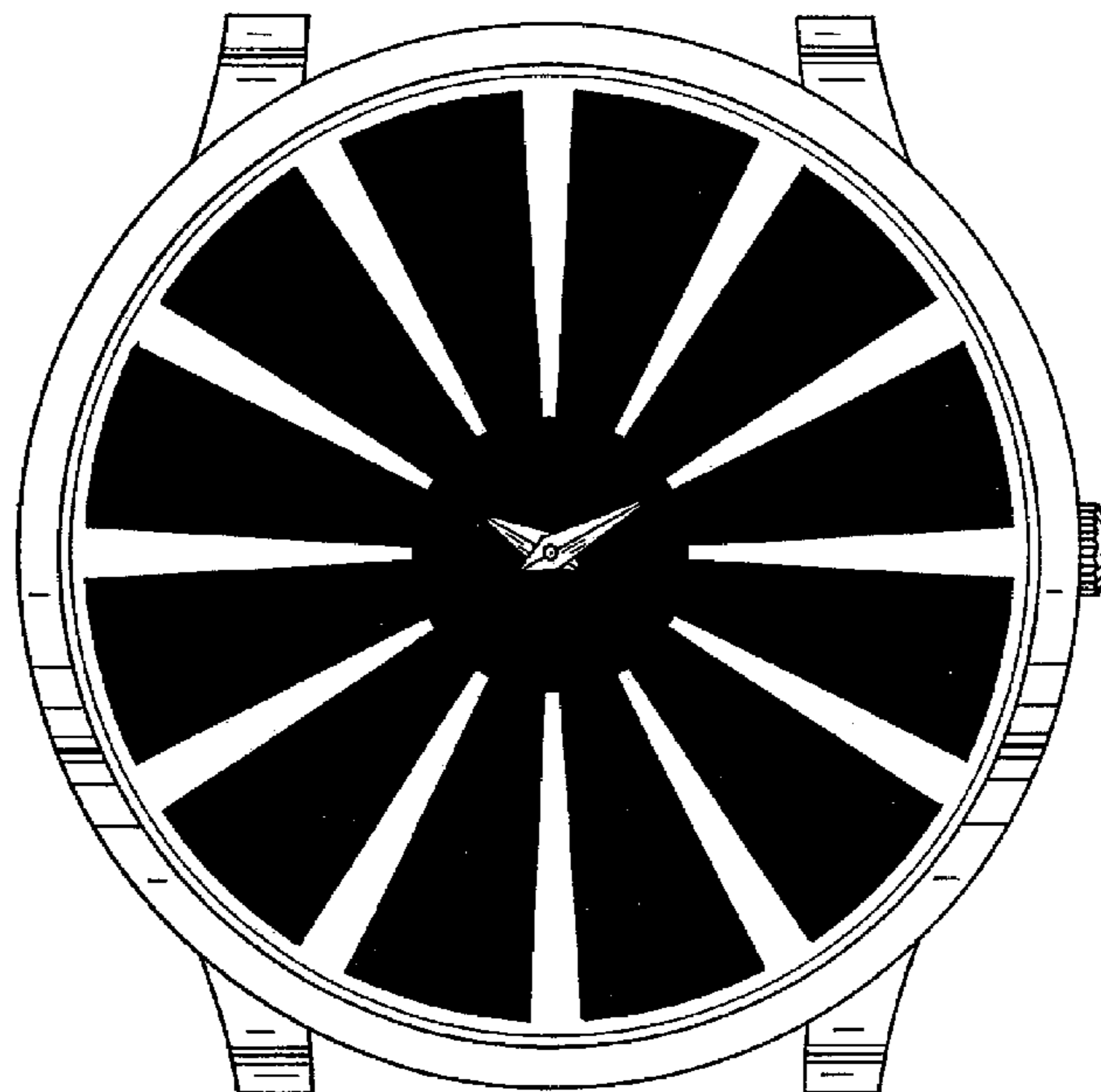
(57) **CLAIM**

The ornamental design for a watch, as shown.

DESCRIPTION

FIG. 1 is a front elevation of a watch showing my new design; FIG. 2 is a front, bottom and right side perspective view thereof; FIG. 3 is a top end view thereof; FIG. 4 is a bottom end view thereof; FIG. 5 is a left side view thereof; FIG. 6 is a right side view thereof; and, FIG. 7 is a rear elevation thereof.

1 Claim, 4 Drawing Sheets



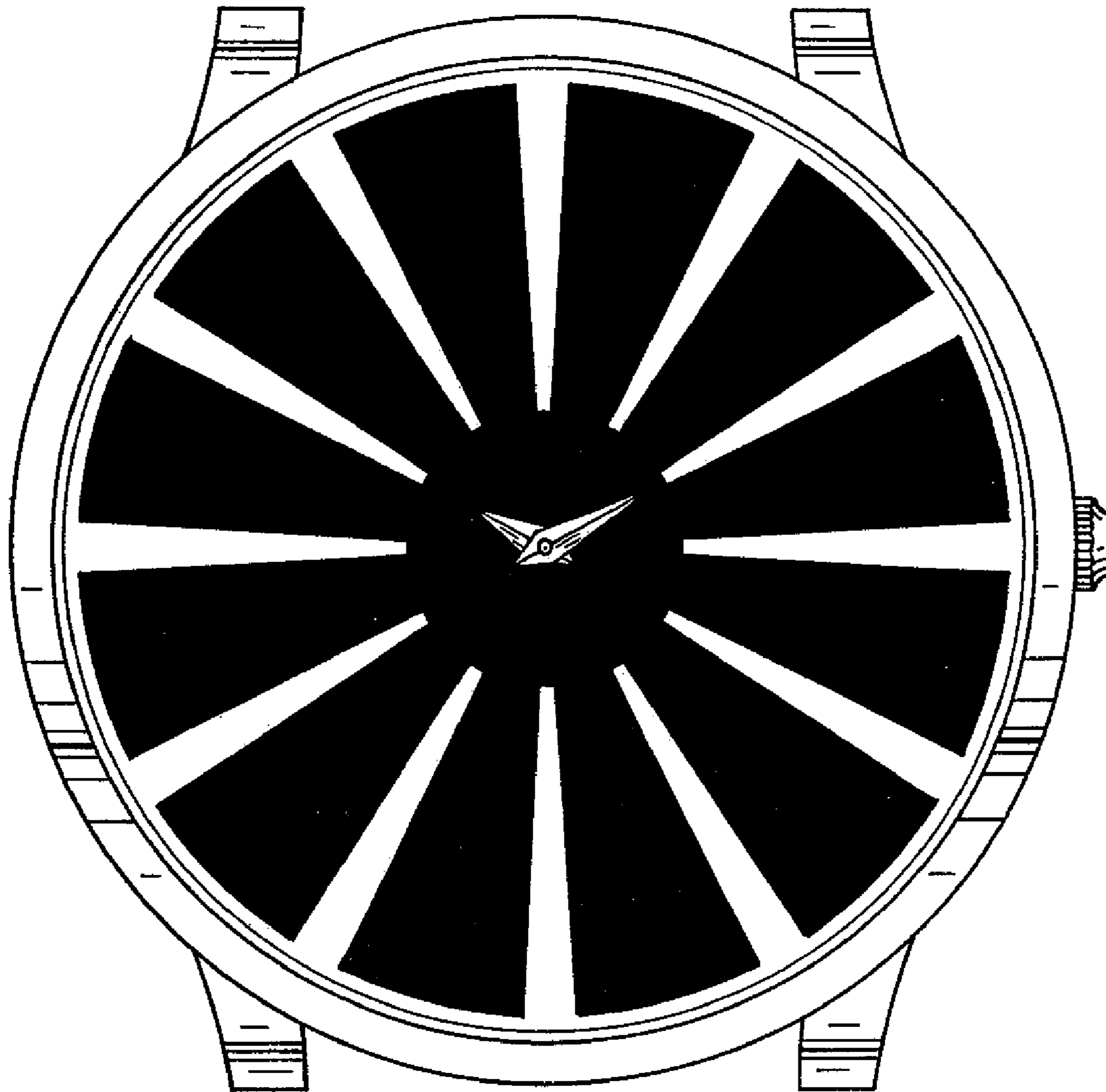


FIG. 1

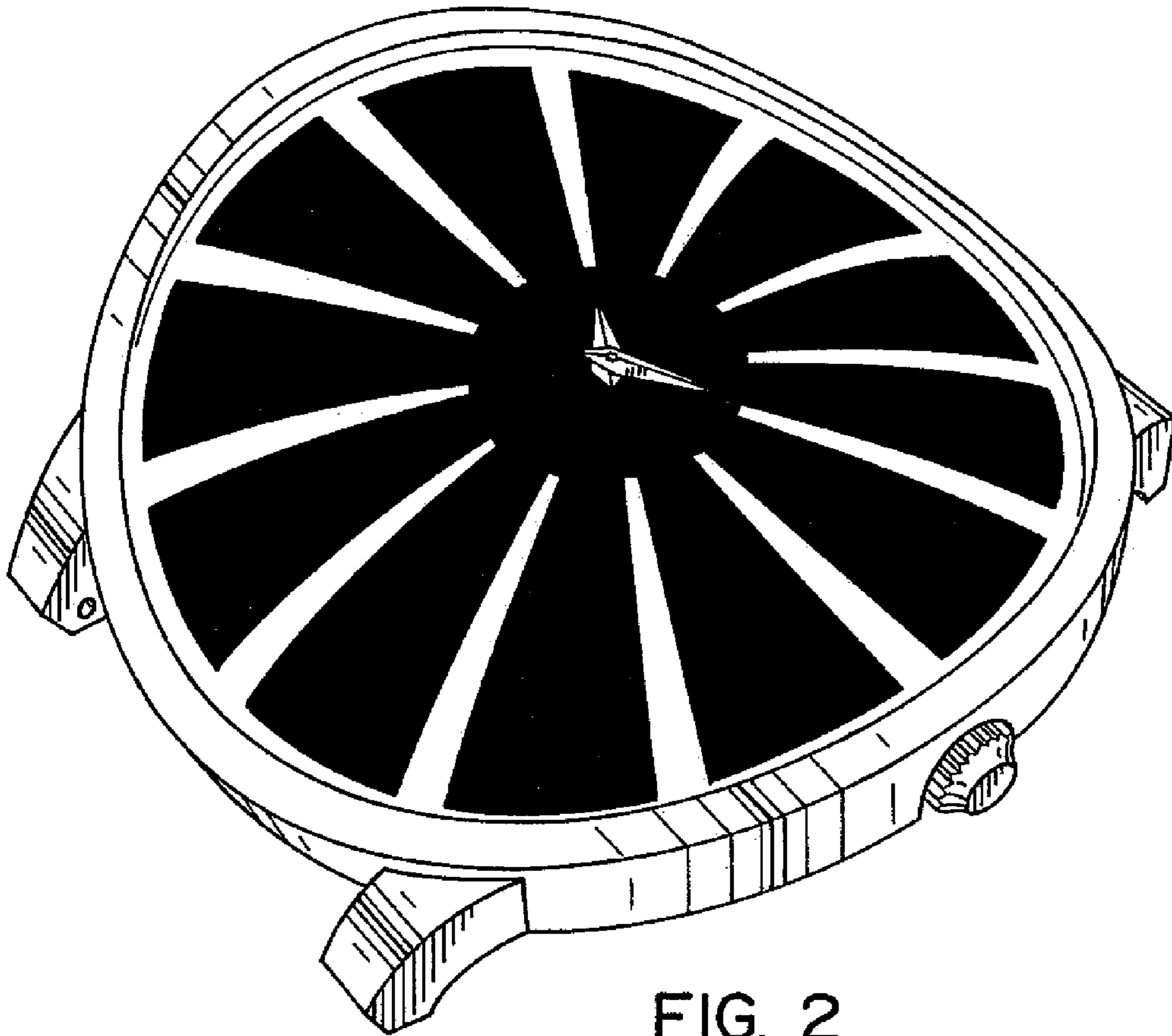


FIG. 2

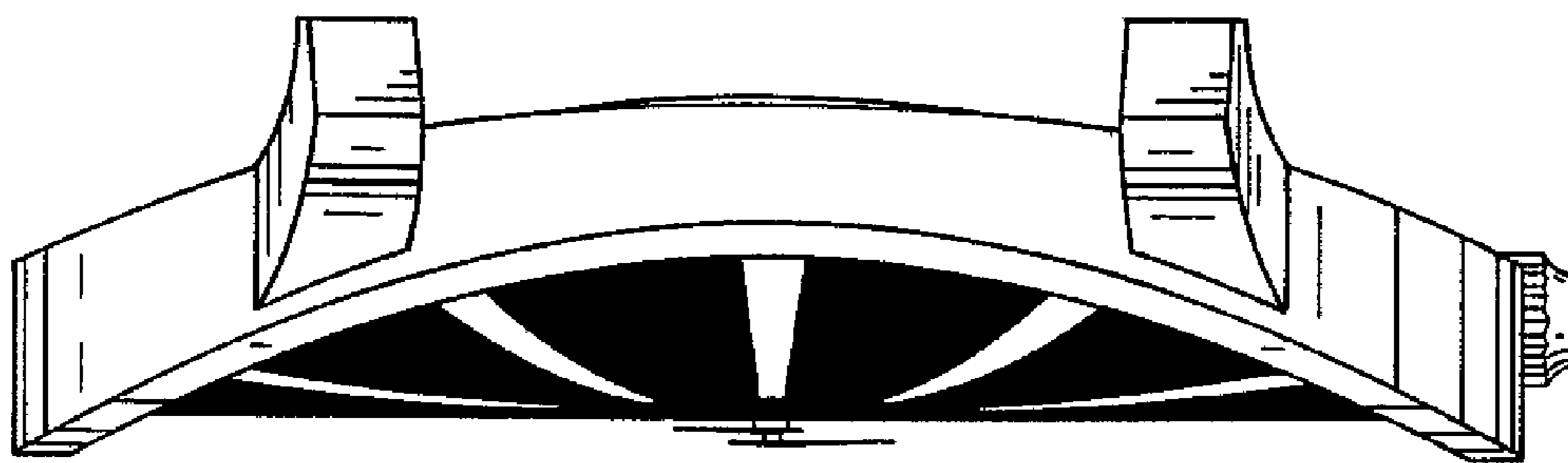


FIG. 3

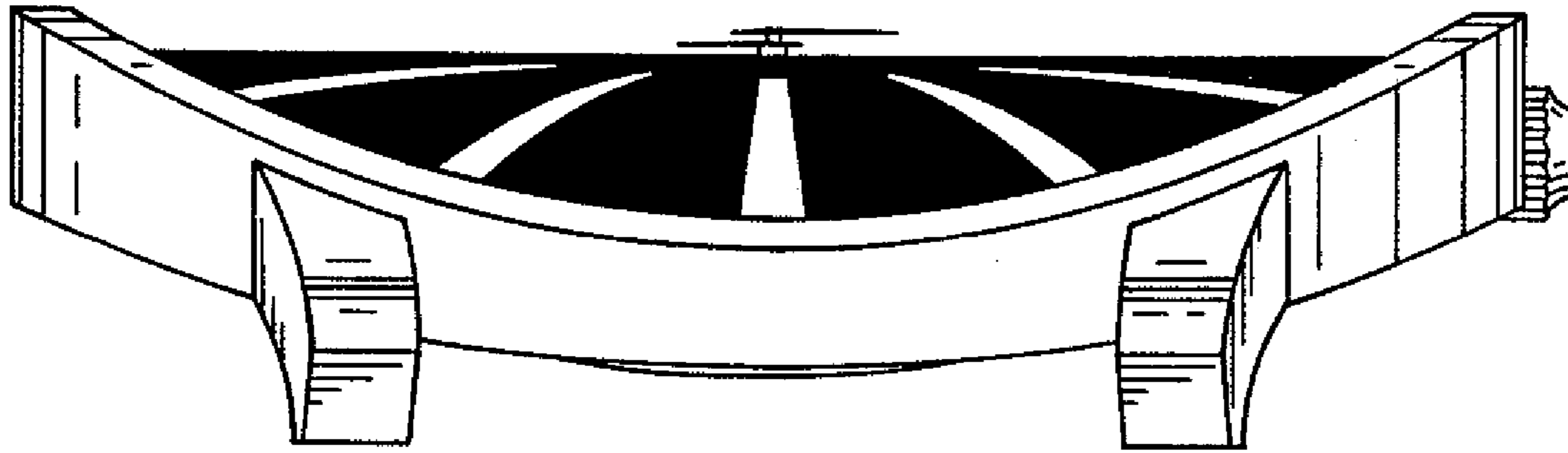


FIG. 4

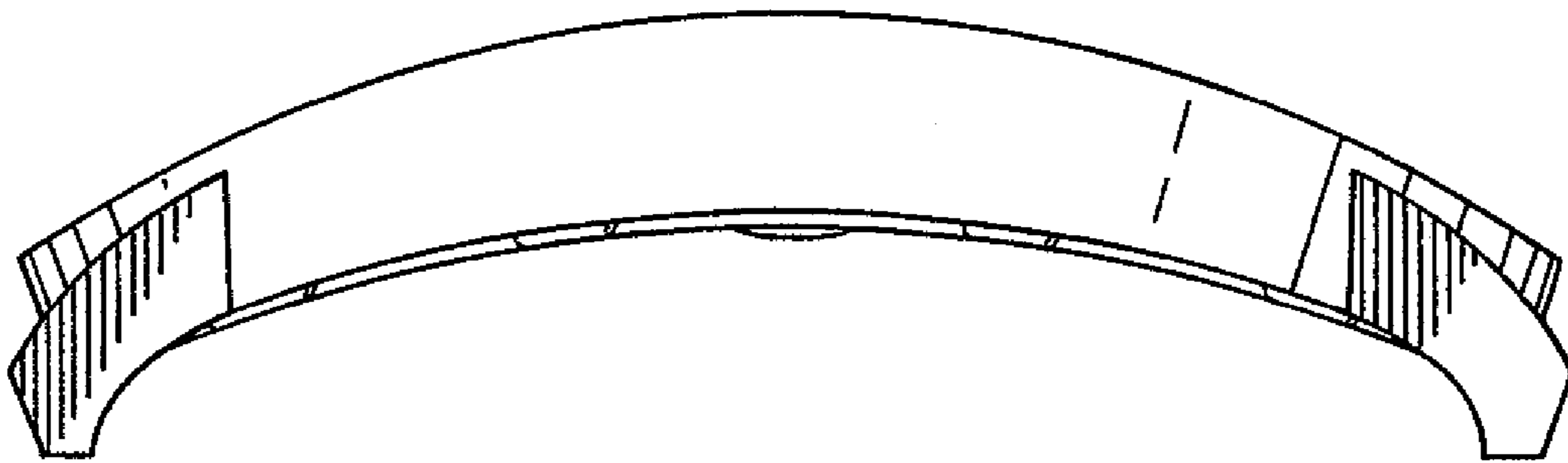


FIG. 5

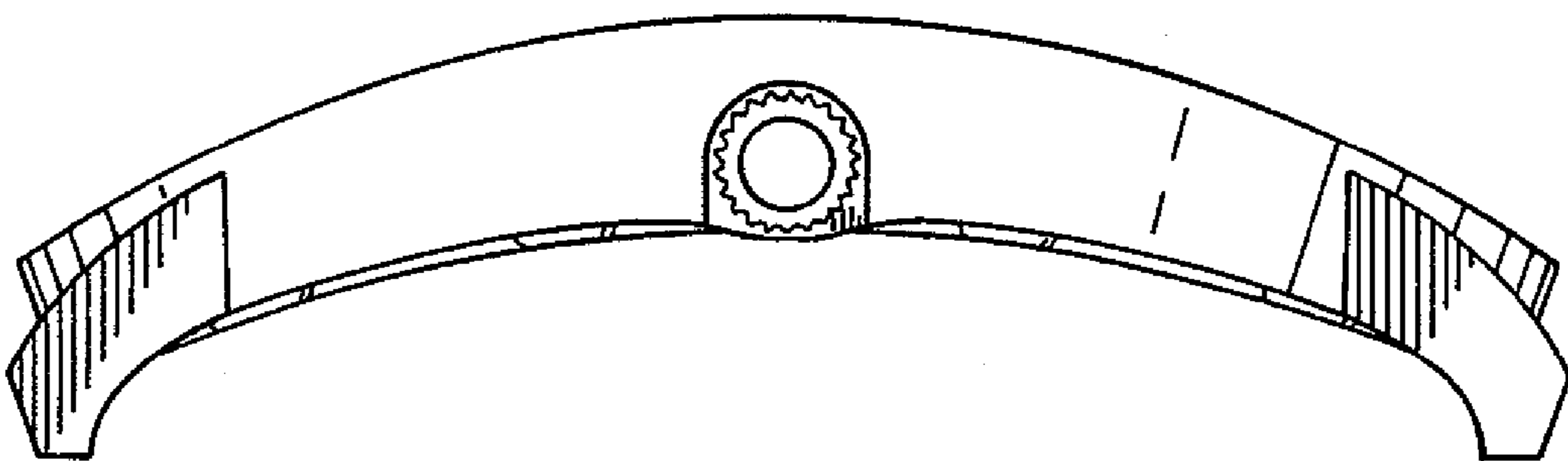


FIG. 6

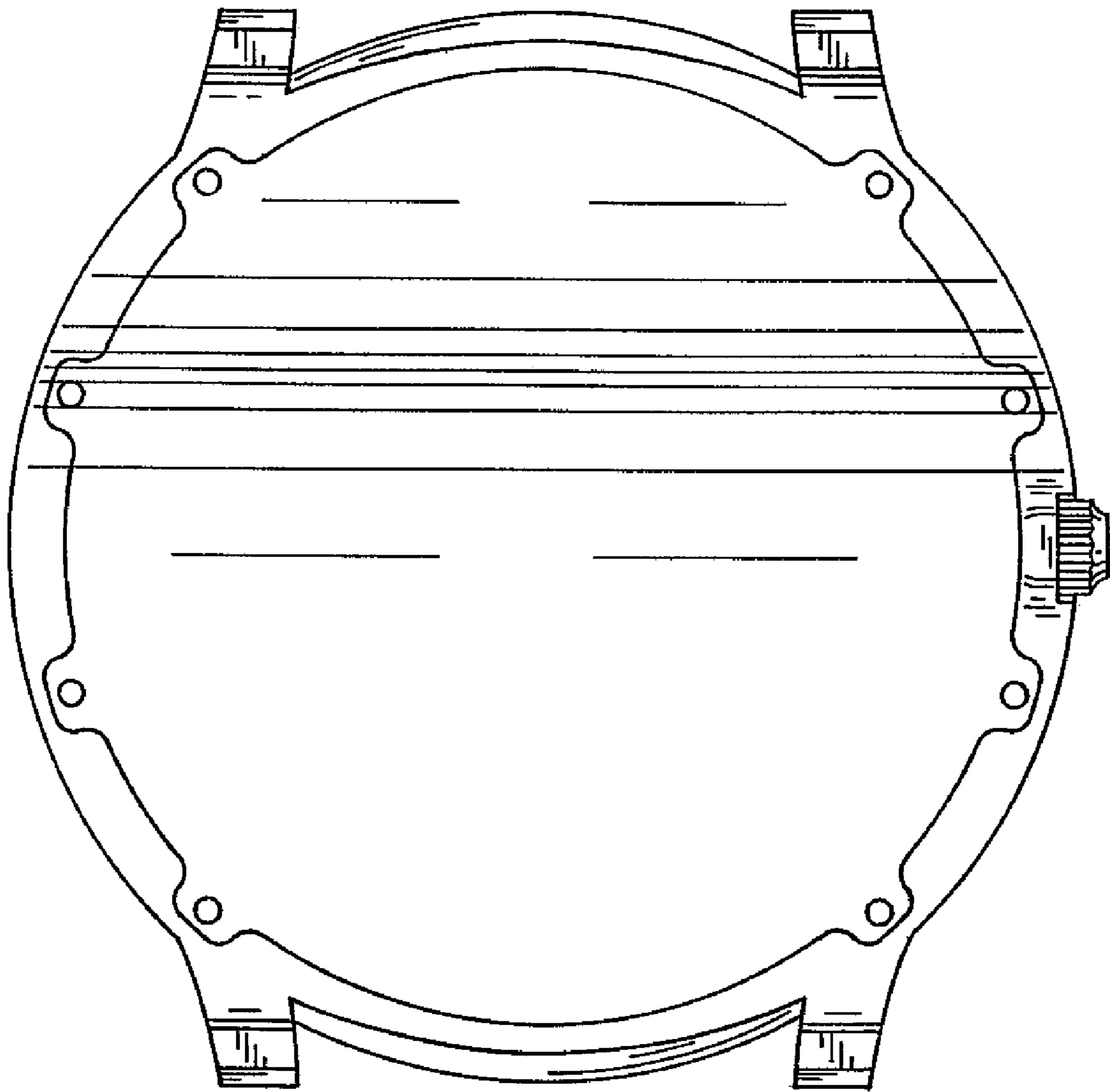


FIG. 7