



US00D581291S

(12) **United States Design Patent**
Hegi

(10) **Patent No.:** **US D581,291 S**
(45) **Date of Patent:** **** Nov. 25, 2008**

(54) **WATCH CASE**

(75) Inventor: **Matthieu Hegi**, Troinex (CH)

(73) Assignee: **Richemont International SA**,
Villars-sur-Glane (CH)

(**) Term: **14 Years**

(21) Appl. No.: **29/245,747**

(22) Filed: **Dec. 29, 2005**

(30) **Foreign Application Priority Data**

Jul. 1, 2005 (WO) DM/066 852

(51) **LOC (8) Cl.** **10-02**

(52) **U.S. Cl.** **D10/38**

(58) **Field of Classification Search** D10/30-39,
D10/122-132; 368/276, 281, 282, 285, 294,
368/295

See application file for complete search history.

(56) **References Cited**

U.S. PATENT DOCUMENTS

- 2,062,891 A * 12/1936 Kousin 368/285
- 2,566,741 A * 9/1951 Newhouse 368/285
- 3,911,668 A * 10/1975 Beguin 368/80
- D260,615 S * 9/1981 Maroni D10/32
- D262,692 S * 1/1982 Kurowsky D10/39
- 4,706,857 A * 11/1987 Aellen et al. 224/164
- 4,855,973 A * 8/1989 Crocco 368/282
- D310,034 S * 8/1990 Braun et al. D10/30
- D324,828 S * 3/1992 Wunderman D10/32
- D329,020 S * 9/1992 Iwata D10/30

- D340,650 S * 10/1993 Iwamura D10/32
- D353,107 S * 12/1994 Ricci D10/32
- D362,396 S * 9/1995 Chester D10/32
- D368,664 S * 4/1996 Schick et al. D10/39
- D420,920 S * 2/2000 Bach D10/32
- 6,036,359 A * 3/2000 Pantet 368/281
- D505,086 S * 5/2005 Fernandez D10/39
- D526,218 S * 8/2006 Krieger D10/39
- 7,134,784 B1 * 11/2006 Marin 368/295
- D555,015 S * 11/2007 Parmigiani D10/38
- D555,520 S * 11/2007 Strasser D10/39

* cited by examiner

Primary Examiner—Lucy Lieberman

(74) *Attorney, Agent, or Firm*—Young & Thompson

(57) **CLAIM**

The ornamental design for a watch case, as shown and described.

DESCRIPTION

FIG. 1 is a top view of the watch case.

FIG. 2 is a side view from the left of FIG. 1.

FIG. 3 is a side view from the right of FIG. 1.

FIG. 4 is a side view from the top of FIG. 1.

FIG. 5 is a side view from the bottom of FIG. 1.

FIG. 6 is a perspective view of the watch case.

FIG. 7 is a perspective view of the watch case in which the diamond on the bezel is shown in a second position; and,

FIG. 8 is a perspective view of the watch case in which the diamond on the bezel is shown in a third position.

1 Claim, 6 Drawing Sheets

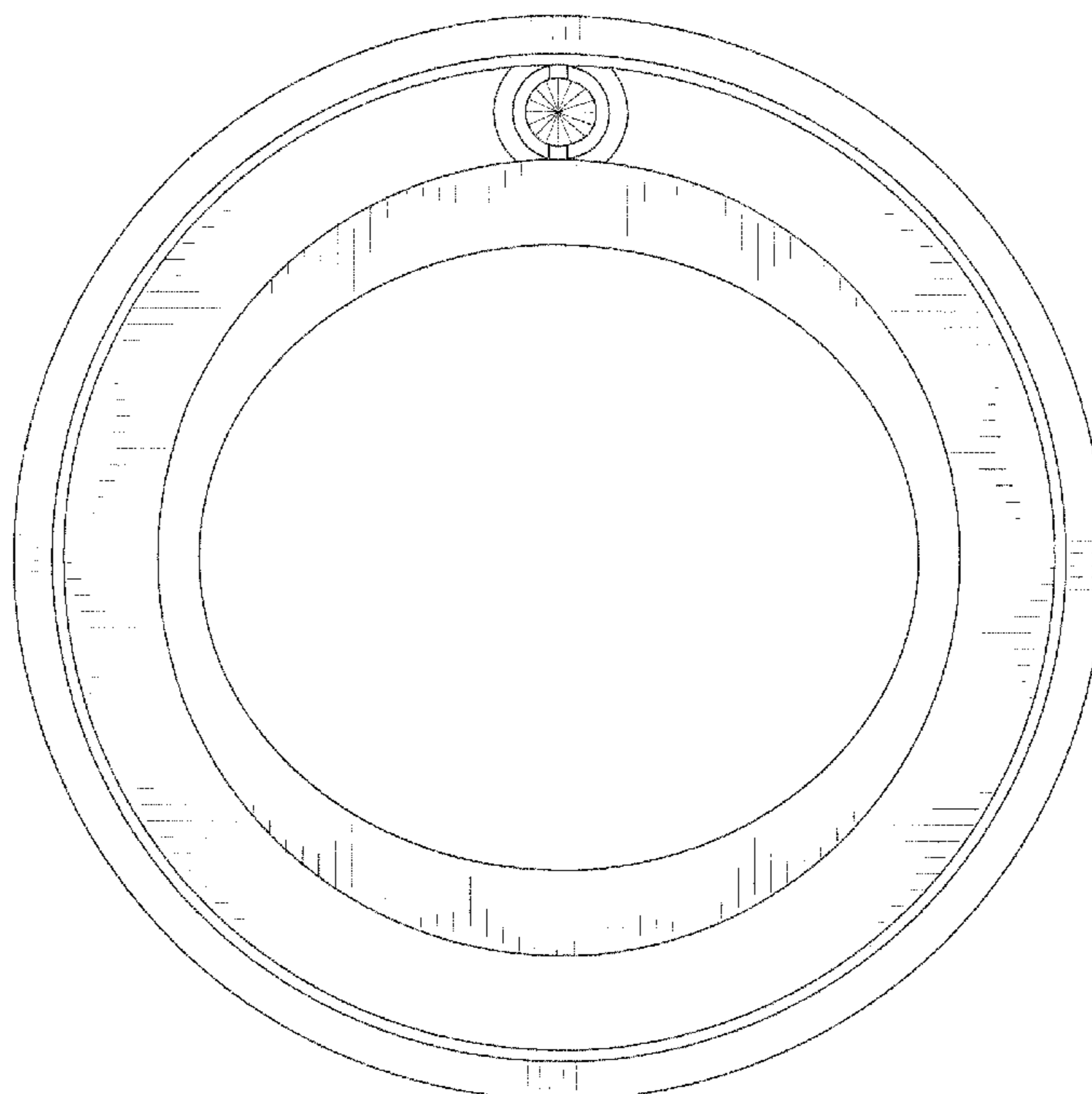


fig. 1

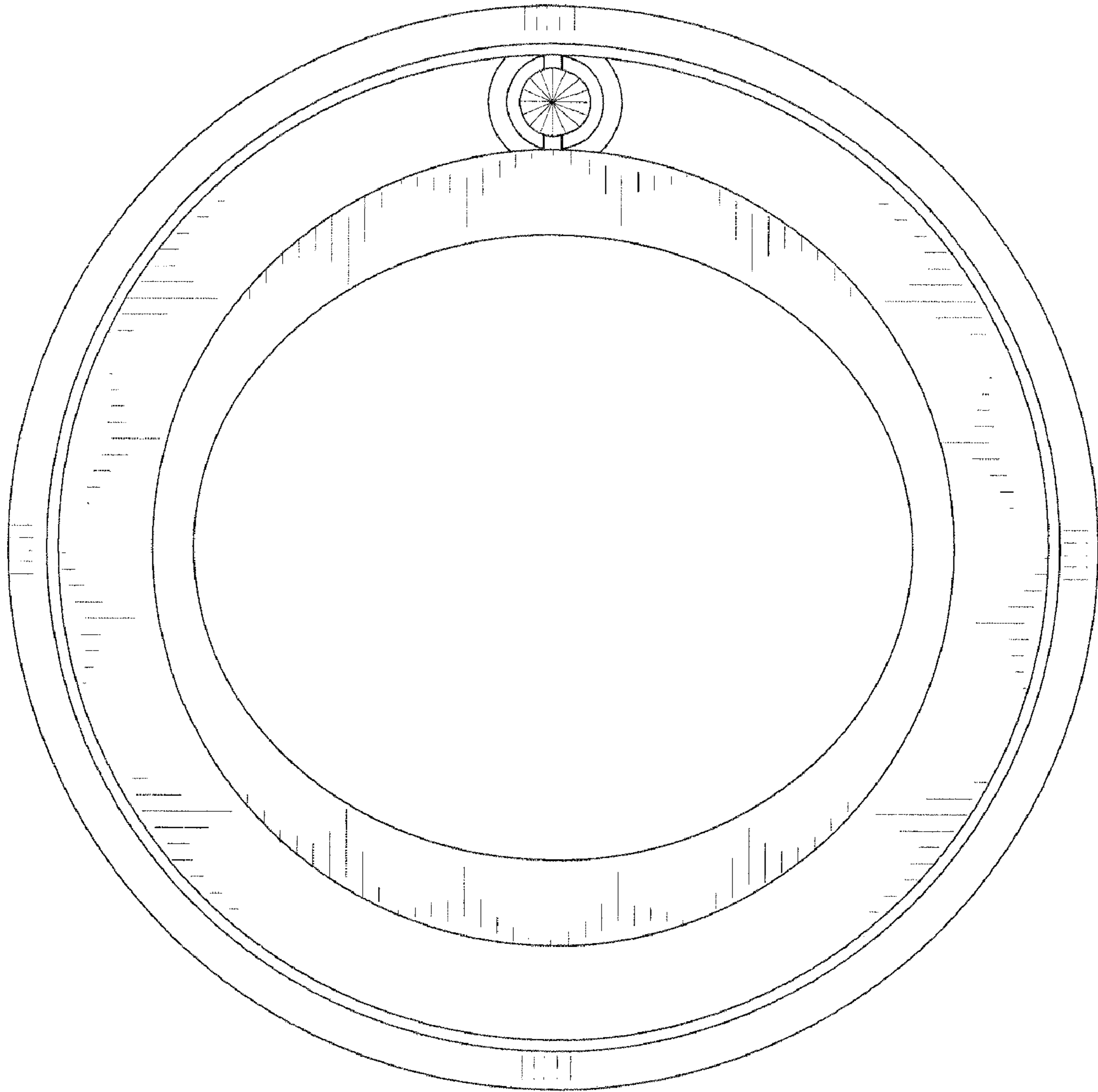


fig. 2

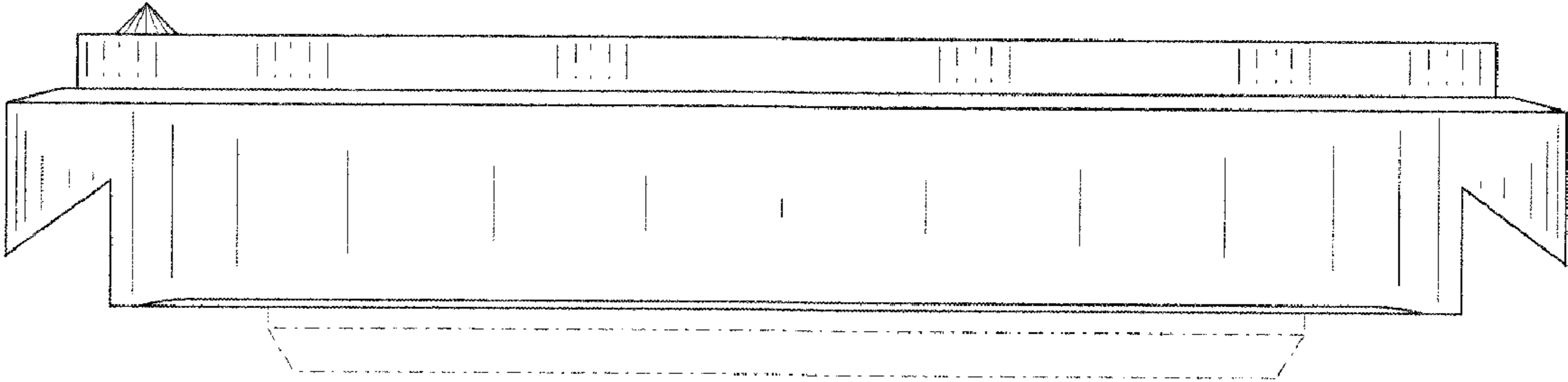


fig. 3

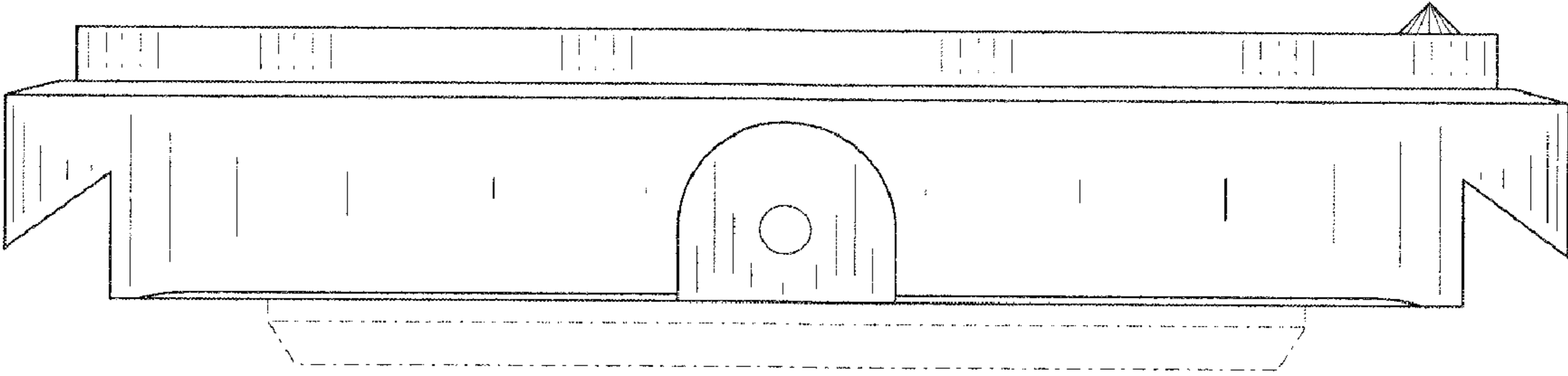


fig. 4

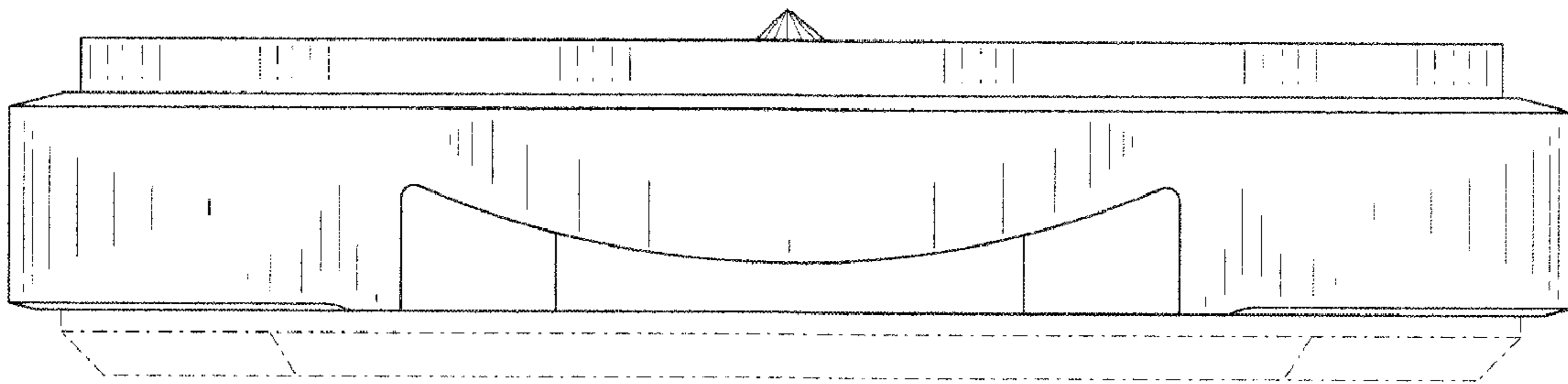


fig. 5

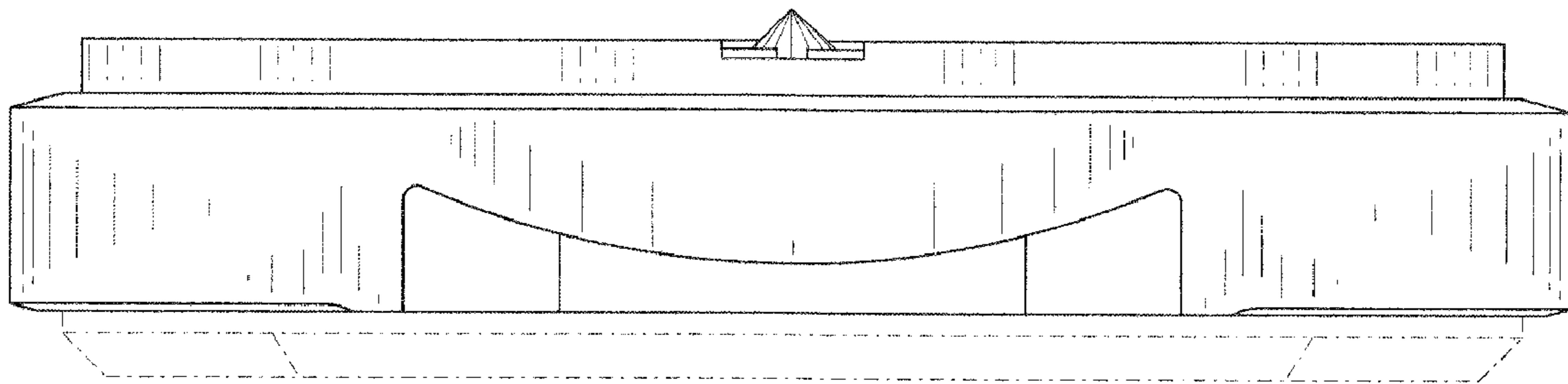


fig .6

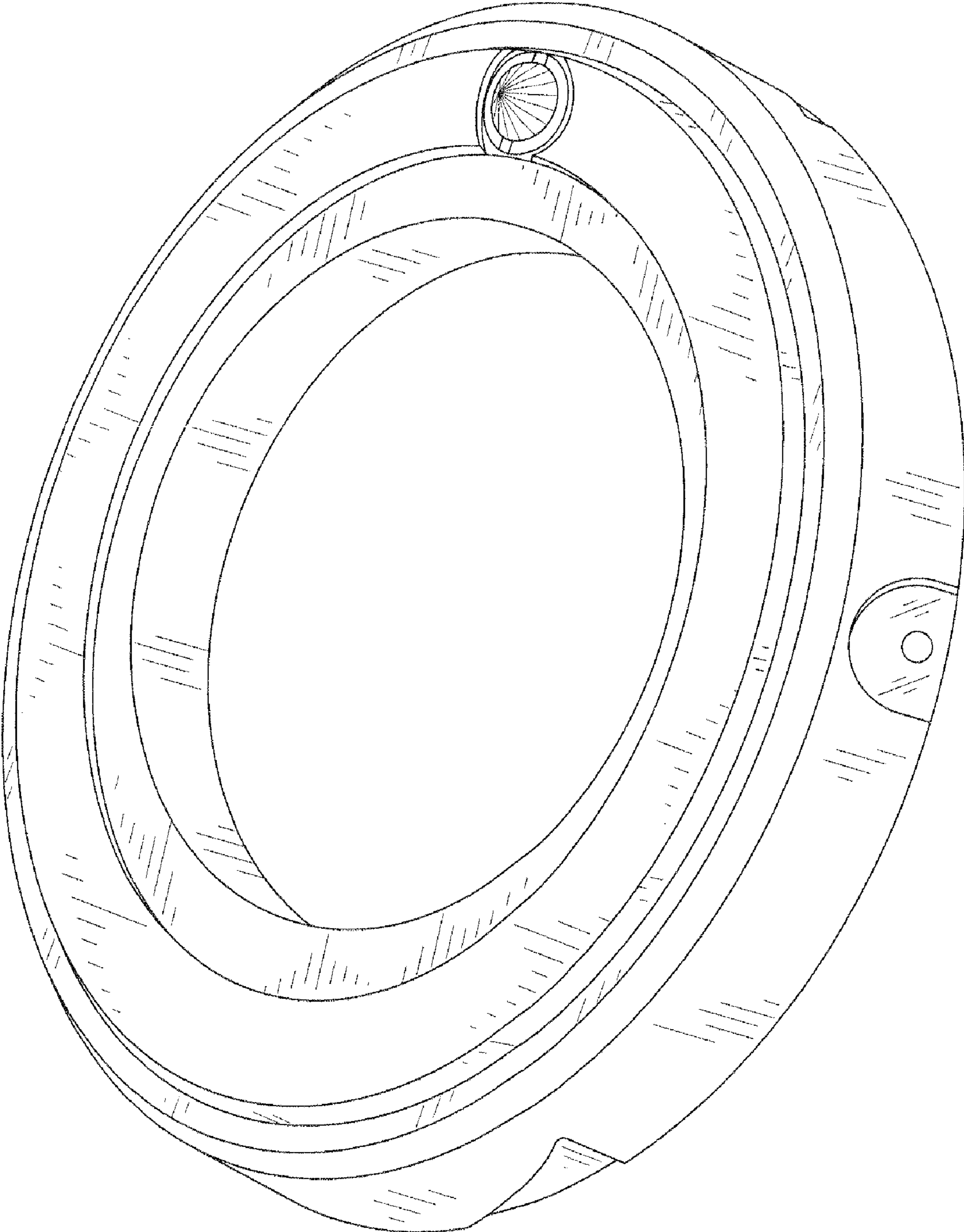


fig .7

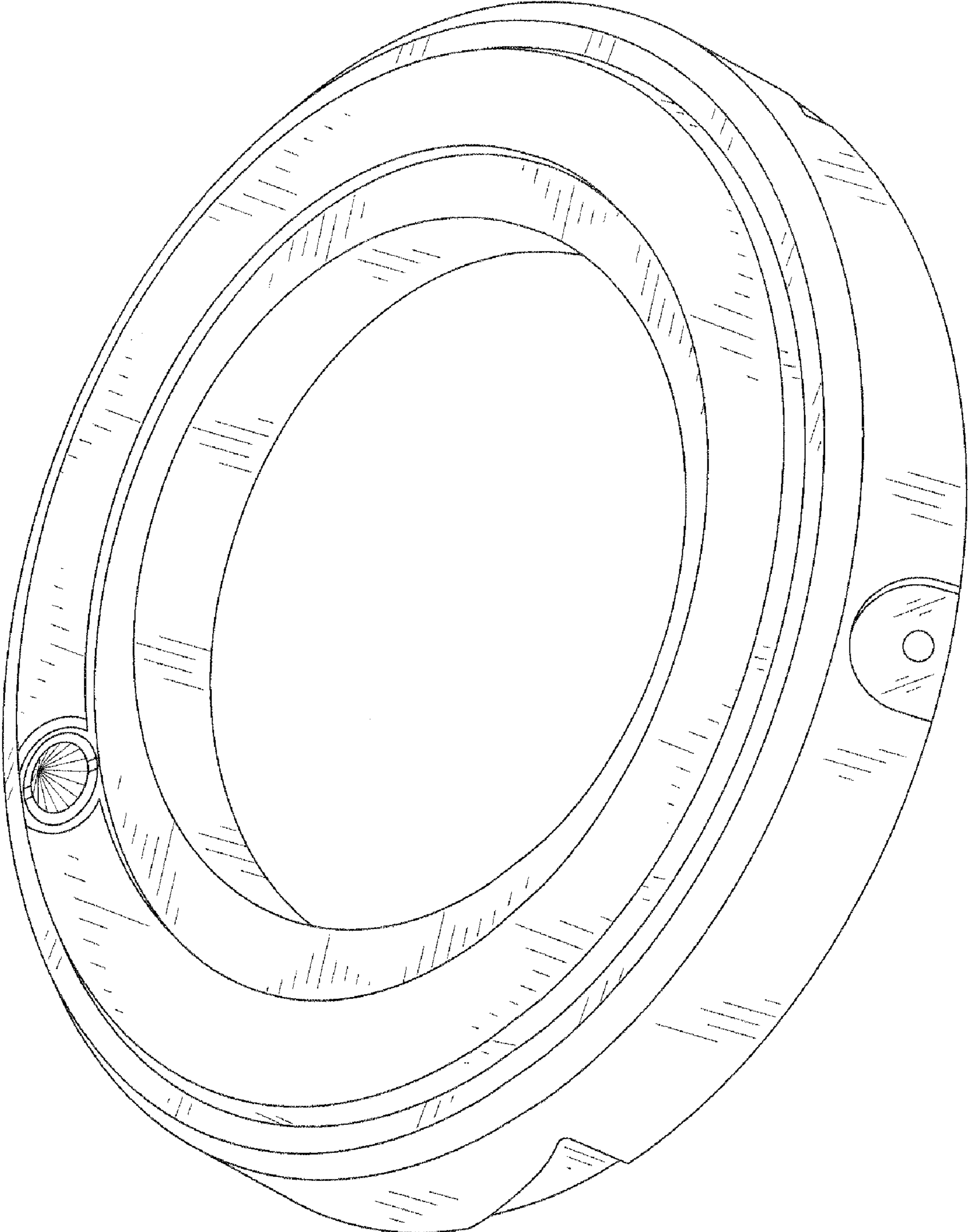


fig .8

