



US00D581289S

(12) **United States Design Patent**  
**Westphal**

(10) **Patent No.:** **US D581,289 S**

(45) **Date of Patent:** **\*\* Nov. 25, 2008**

(54) **CONTAINER**

(76) **Inventor:** **Scott K. Westphal**, 6365 Collins Ave.,  
St. 4002, Miami Beach, FL (US) 33141

(\*\*) **Term:** **14 Years**

(21) **Appl. No.:** **29/302,197**

(22) **Filed:** **Jan. 11, 2008**

(51) **LOC (8) Cl.** ..... **09-02**

(52) **U.S. Cl.** ..... **D9/779; D9/772; D9/776**

(58) **Field of Classification Search** ..... **D9/500,**  
**D9/501, 503, 504, 516, 519, 529, 763, 766,**  
**D9/767, 772, 776-780, 903; D7/300.1, 312,**  
**D7/316-318, 323, 507, 509, 590; 220/254.4,**  
**220/269, 375, 802, 906**

See application file for complete search history.

(56) **References Cited**

**U.S. PATENT DOCUMENTS**

D3,836 S	2/1870	Wicks	
D16,802 S	7/1886	Woolf	
D36,493 S	8/1903	Alland	
D205,556 S	8/1966	Plochman, Jr.	
D226,803 S	5/1973	Wood	
D231,773 S	6/1974	Mascia	
D234,251 S	2/1975	Edwards	
D381,561 S *	7/1997	Manca	D7/590
D418,758 S	1/2000	Yucknut	
D437,230 S	2/2001	Andrew	
D498,419 S *	11/2004	Martin	D9/504

D512,917 S *	12/2005	Frisch et al.	D9/516
D529,805 S *	10/2006	Cadena	D9/500
D533,064 S *	12/2006	Glynn et al.	D9/500
D554,000 S *	10/2007	Walsh	D9/772
D562,685 S *	2/2008	Millspaw et al.	D9/500
D566,557 S *	4/2008	Davis et al.	D9/500
D568,747 S *	5/2008	Sequeira	D9/500

\* cited by examiner

*Primary Examiner*—Stella M. Reid

*Assistant Examiner*—Shanda C Hill

(74) *Attorney, Agent, or Firm*—Pillsbury Winthrop Shaw  
Pittman LLP

(57) **CLAIM**

The ornamental design for a container, as shown and described.

**DESCRIPTION**

FIG. 1 is a perspective view of a container embodying my new design;

FIG. 2 is a first side elevation view thereof;

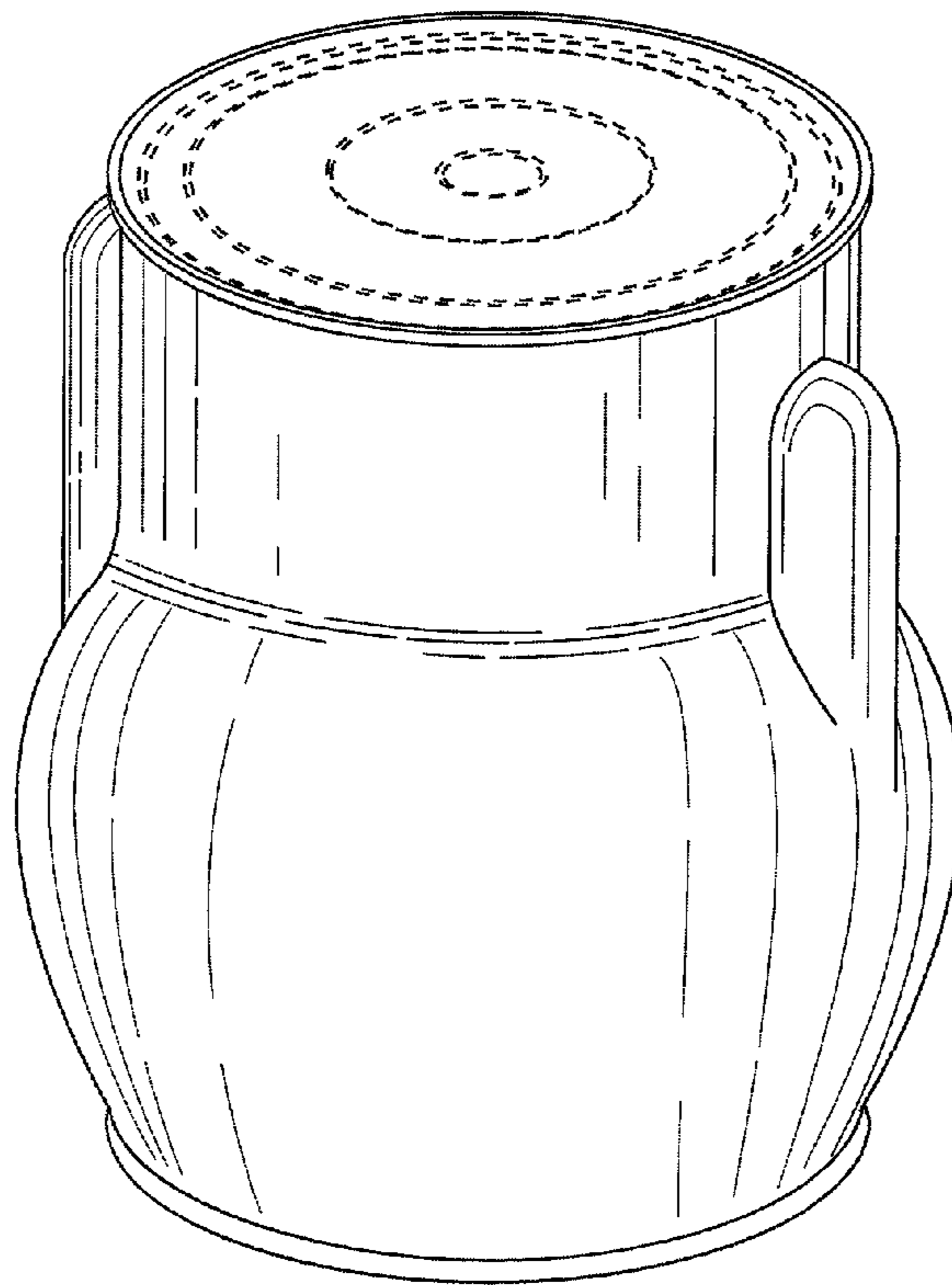
FIG. 3 is a second side elevation view thereof;

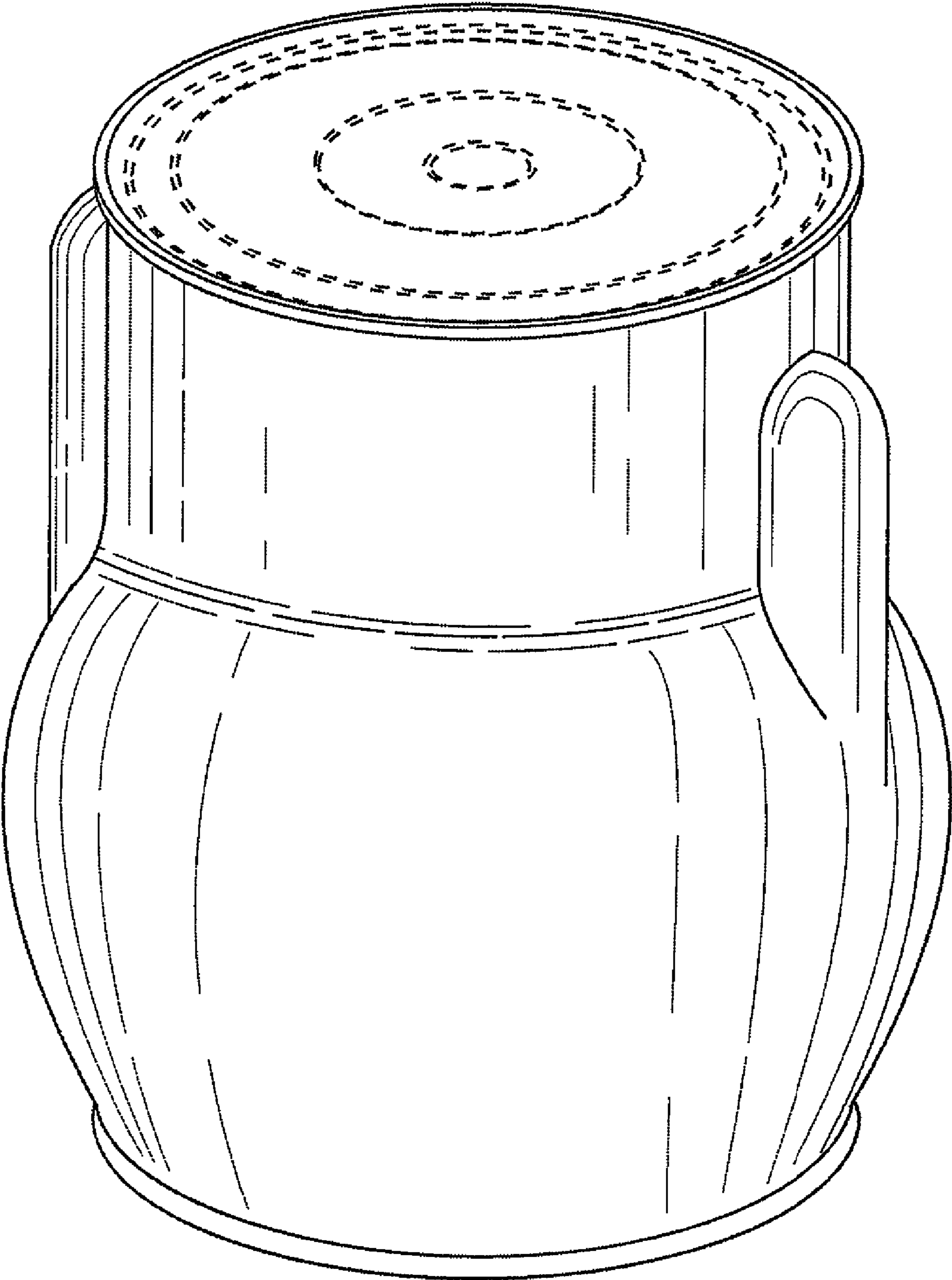
FIG. 4 is a top plan view thereof; and,

FIG. 5 is a bottom plan view thereof.

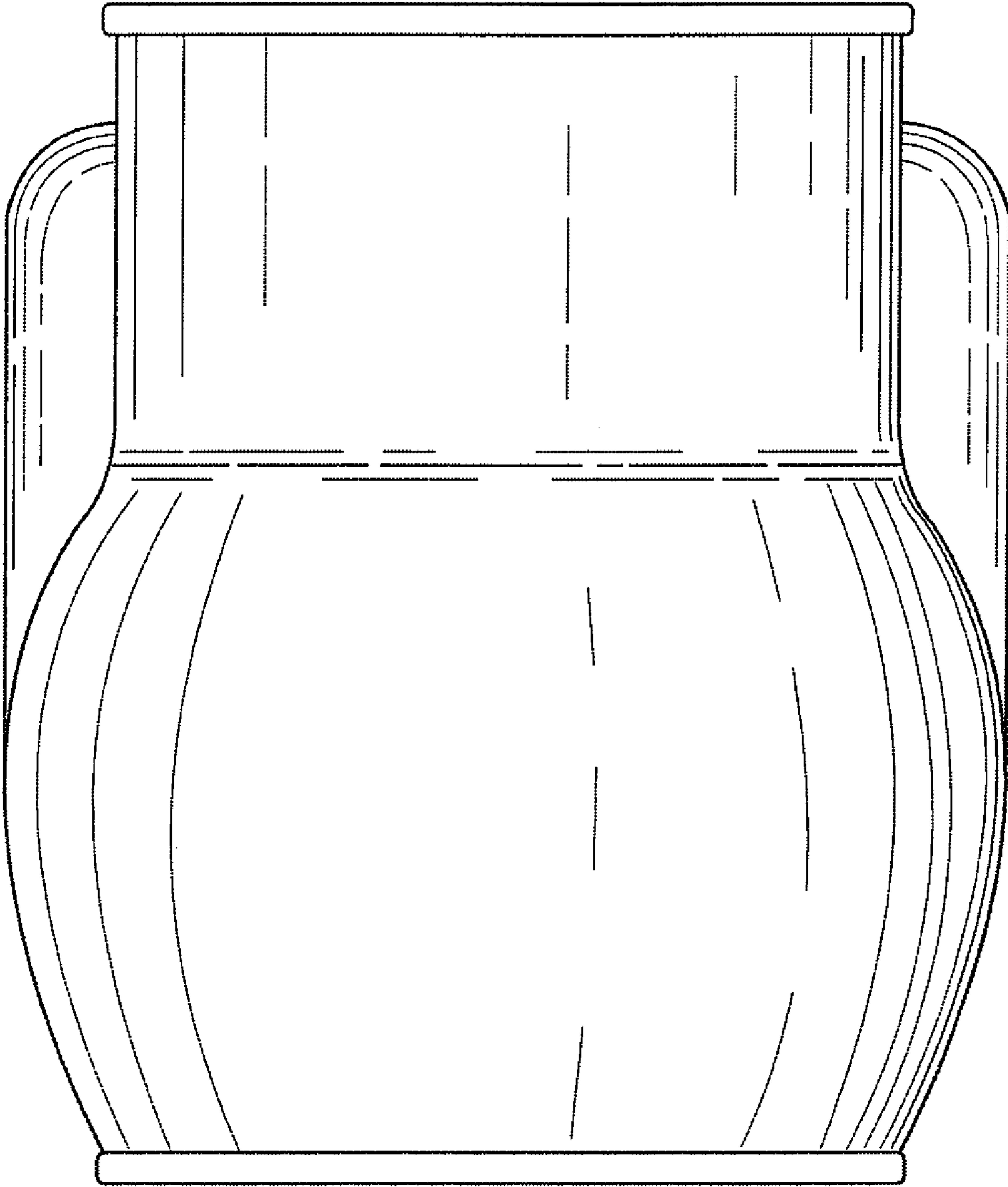
The broken lines shown in the drawing disclosure are for illustrative purposes only and form no part of the claimed design.

**1 Claim, 5 Drawing Sheets**

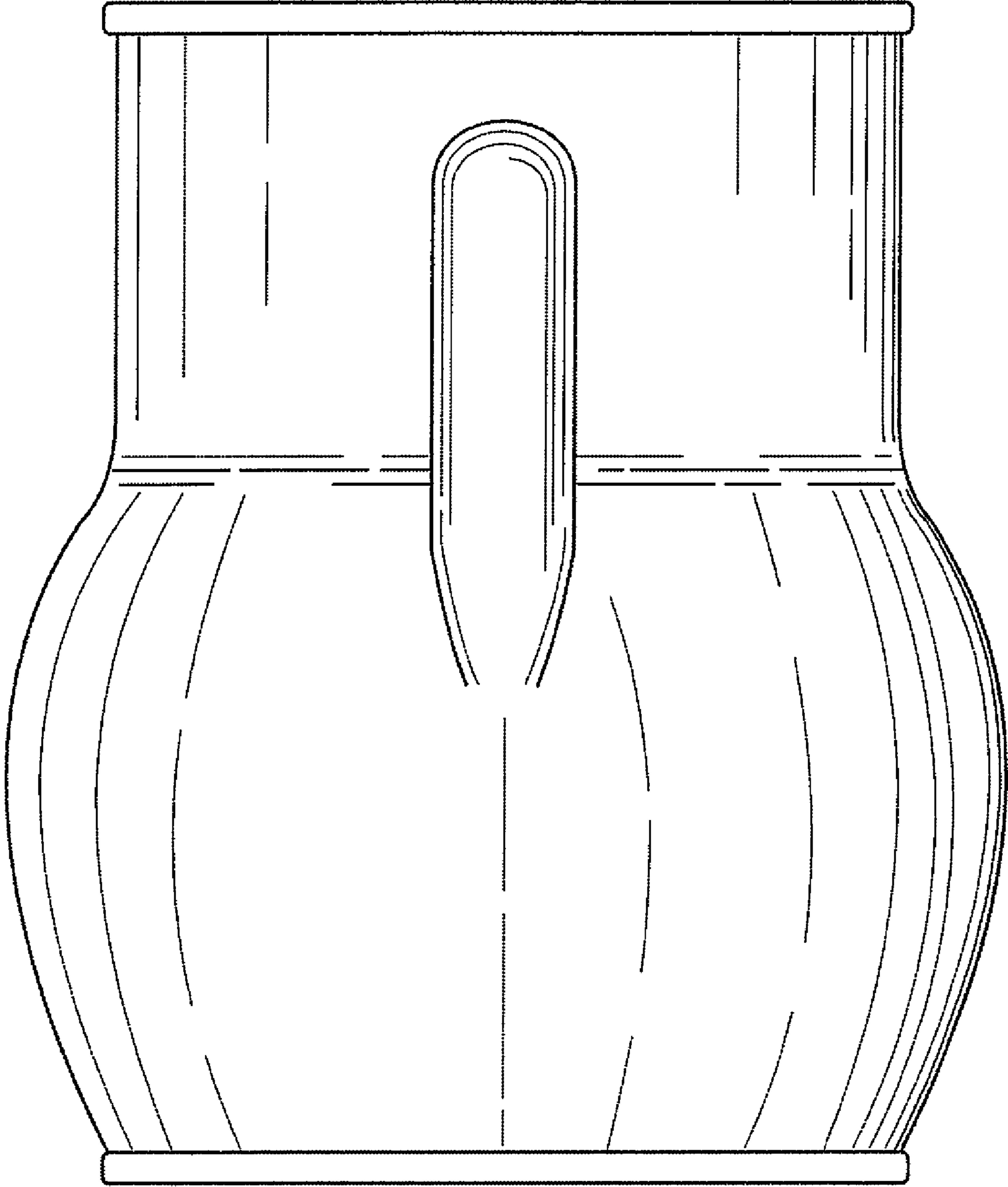




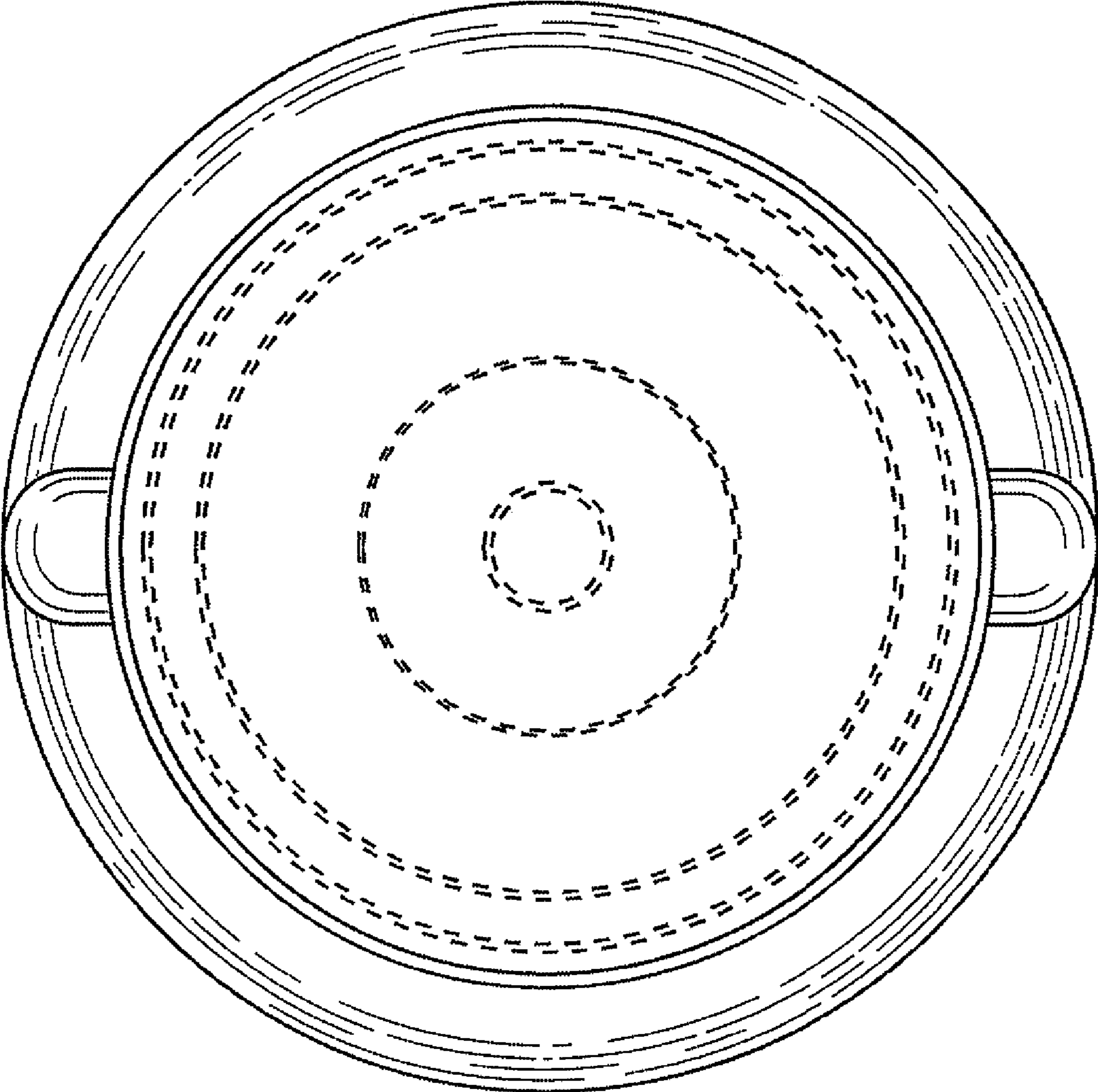
**FIG. 1**



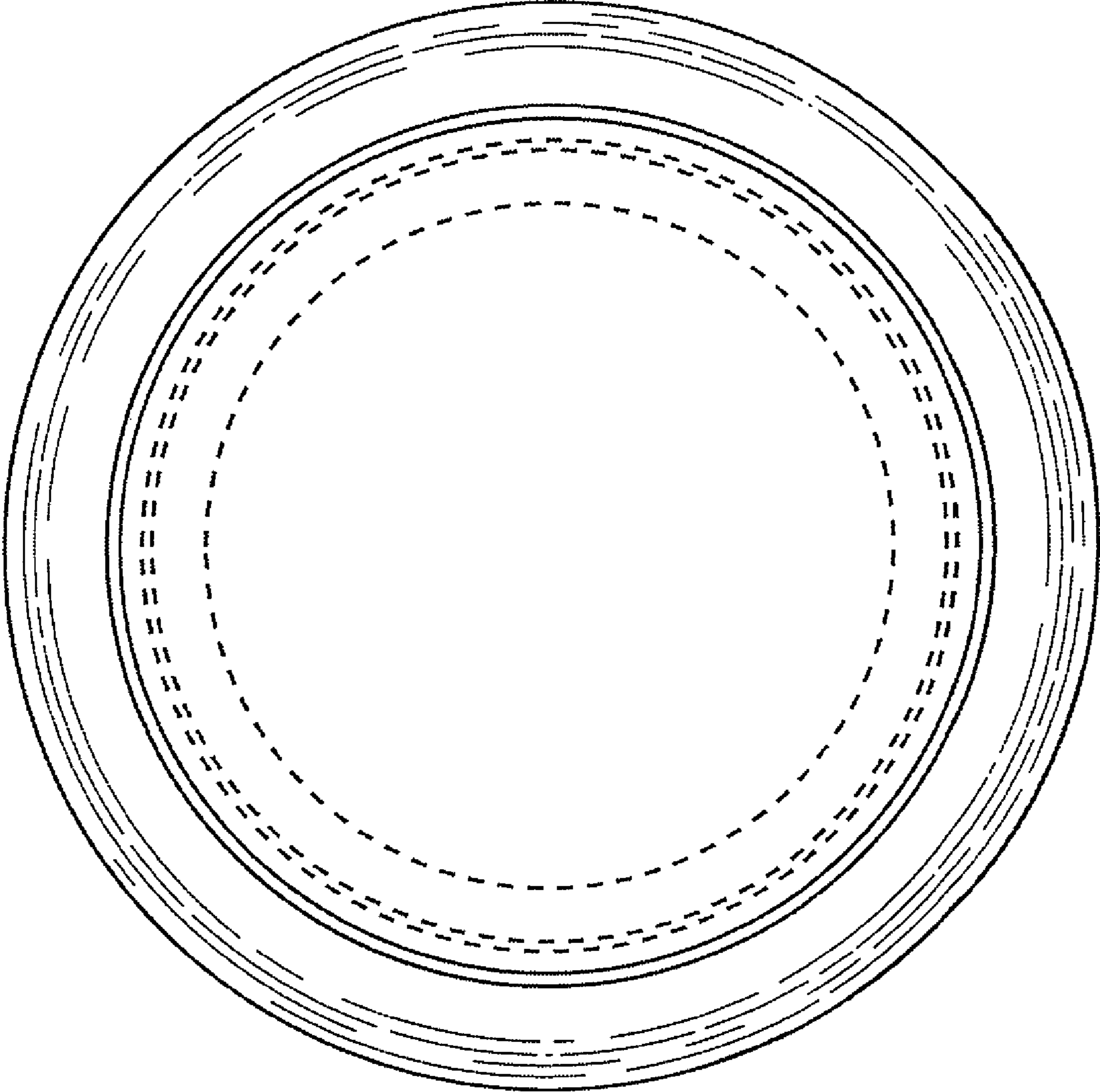
**FIG. 2**



**FIG. 3**



**FIG. 4**



**FIG. 5**