



US00D581286S

(12) **United States Design Patent**
White

(10) **Patent No.:** **US D581,286 S**

(45) **Date of Patent:** **** Nov. 25, 2008**

(54) **BOTTLE**

(75) Inventor: **Jeremy White**, Barrington, IL (US)

(73) Assignee: **Stokely-Van Camp, Inc.**, Chicago, IL (US)

(**) Term: **14 Years**

(21) Appl. No.: **29/317,595**

(22) Filed: **May 2, 2008**

Related U.S. Application Data

(62) Division of application No. 29/265,965, filed on Sep. 11, 2006, now Pat. No. Des. 570,223.

(51) **LOC (8) Cl.** **09-01**

(52) **U.S. Cl.** **D9/550; D9/556**

(58) **Field of Classification Search** D9/516,
D9/520, 537-540, 549-550, 552, 556-559,
D9/565, 571; 215/381-385; 220/660, 662,
220/669-673, 675

See application file for complete search history.

(56) **References Cited**

U.S. PATENT DOCUMENTS

D320,154 S	9/1991	Alberghini et al.
D467,813 S	12/2002	Silvers et al.
D469,359 S	1/2003	Bryant et al.
D469,696 S	2/2003	Bryant et al.
D476,896 S	7/2003	Cheng et al.

D495,602 S	9/2004	Daly et al.	
D527,270 S	8/2006	Ungrady	
D531,910 S	11/2006	Melrose	
D539,661 S	4/2007	Eble	
D550,096 S *	9/2007	Zboch et al.	D9/667
D570,223 S *	6/2008	White	D9/540
D570,226 S *	6/2008	Zboch et al.	D9/667
D572,600 S *	7/2008	Zboch et al.	D9/667

* cited by examiner

Primary Examiner—Charles A. Rademaker

Assistant Examiner—Dana L Sipos

(74) *Attorney, Agent, or Firm*—Banner & Witcoff, Ltd.

(57) **CLAIM**

The ornamental design for a bottle, as shown and described.

DESCRIPTION

FIG. 1 is a top, front, left side perspective view of a bottle showing my new design;

FIG. 2 is a right side elevational view thereof;

FIG. 3 is a front elevational view thereof;

FIG. 4 is a top plan view thereof; and,

FIG. 5 is a bottom plan view thereof.

The dashed line showing in the drawings is for illustrative purposes only and forms no part of the claimed design. The dot-dash-dot line showing in the drawings defines the boundary of the claim and forms no part of the claimed design.

1 Claim, 4 Drawing Sheets

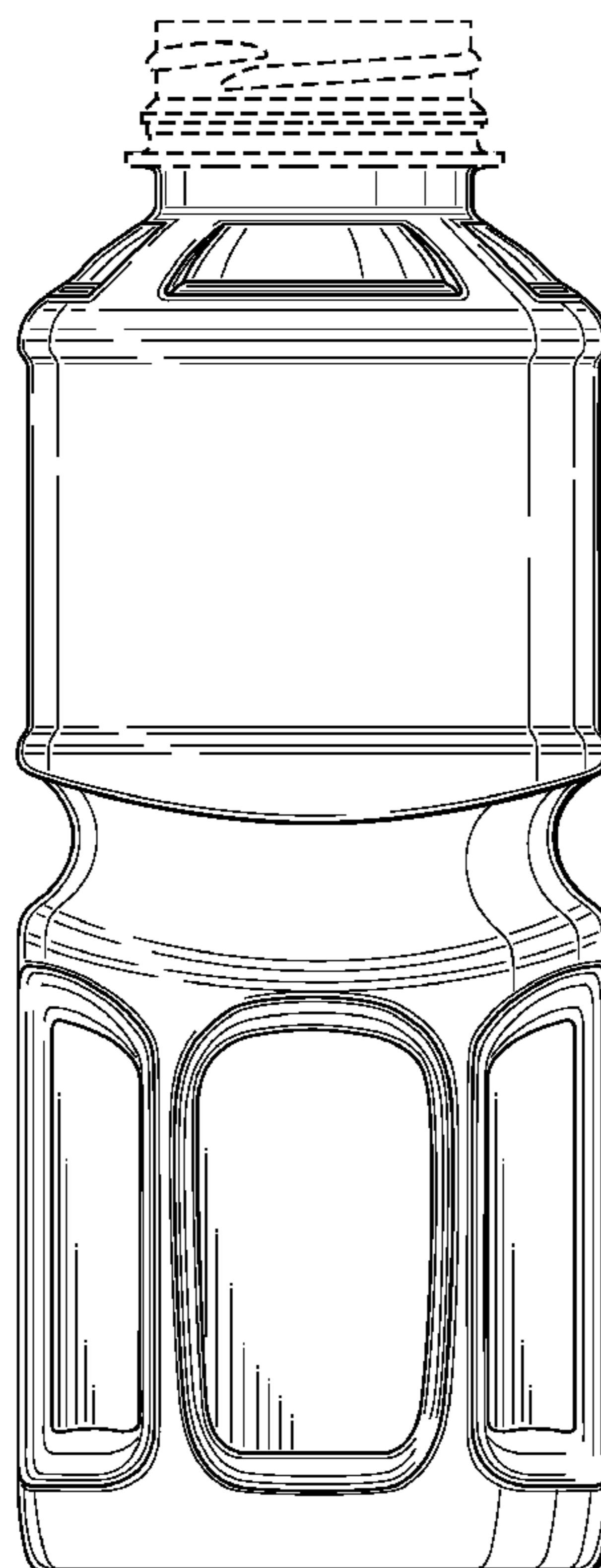


Fig. 1

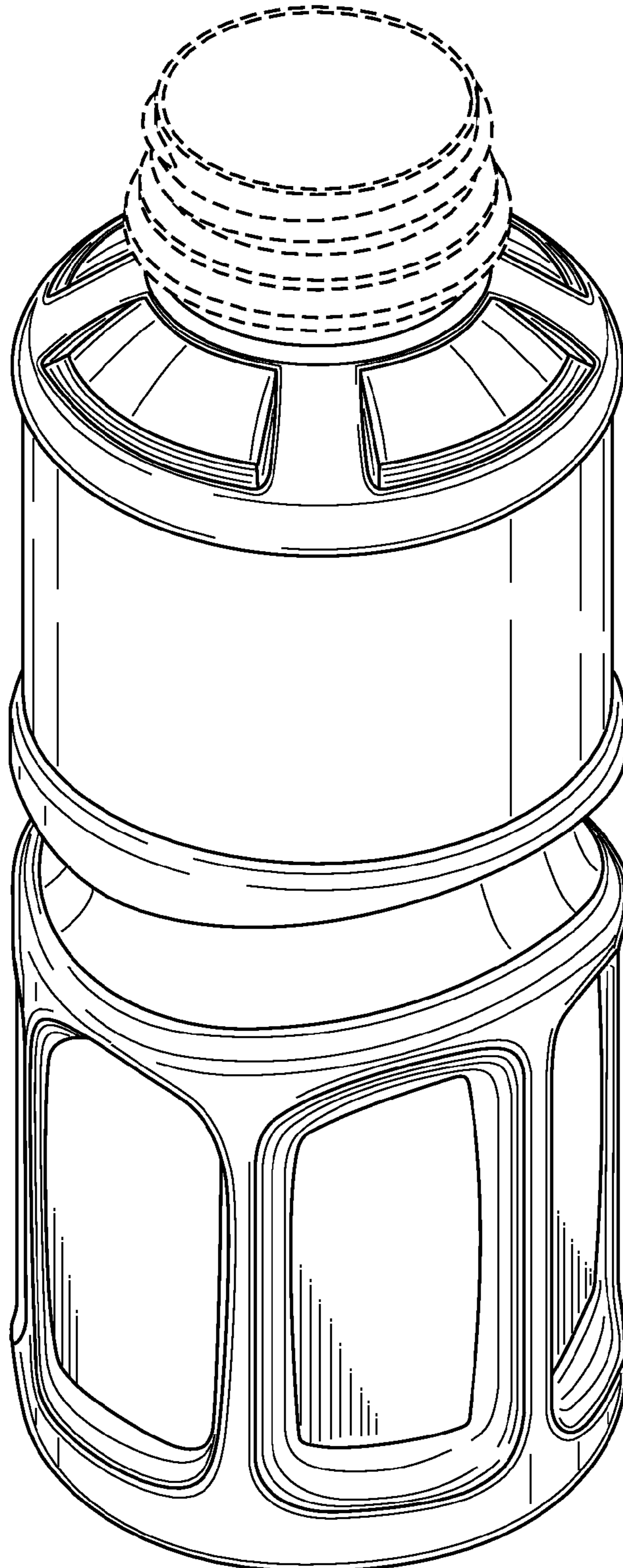


Fig. 2

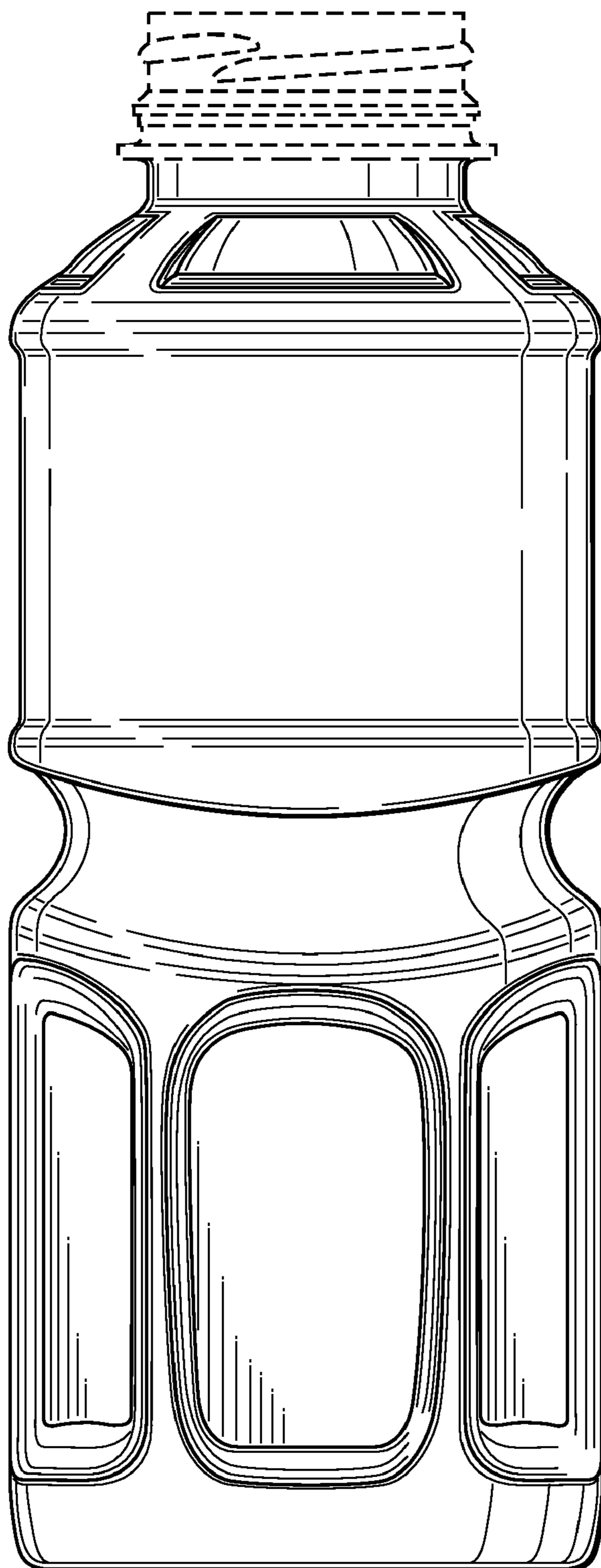


Fig. 3

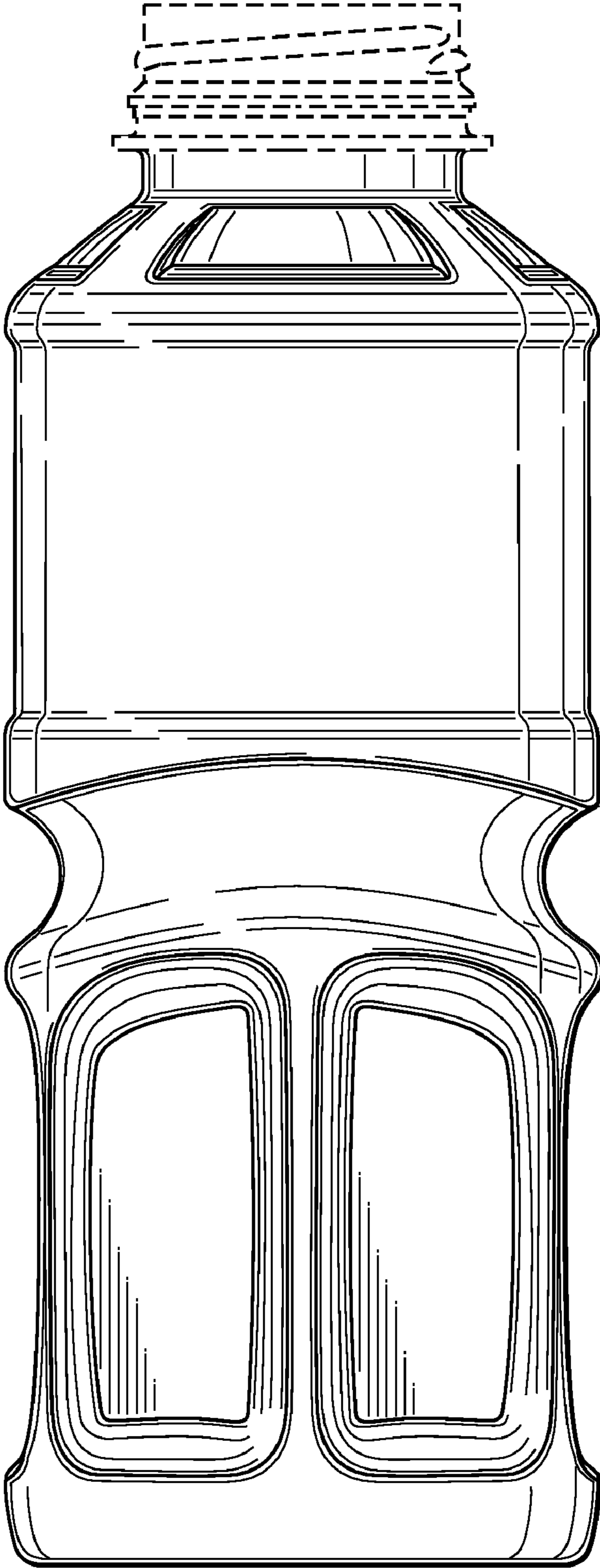


Fig. 4

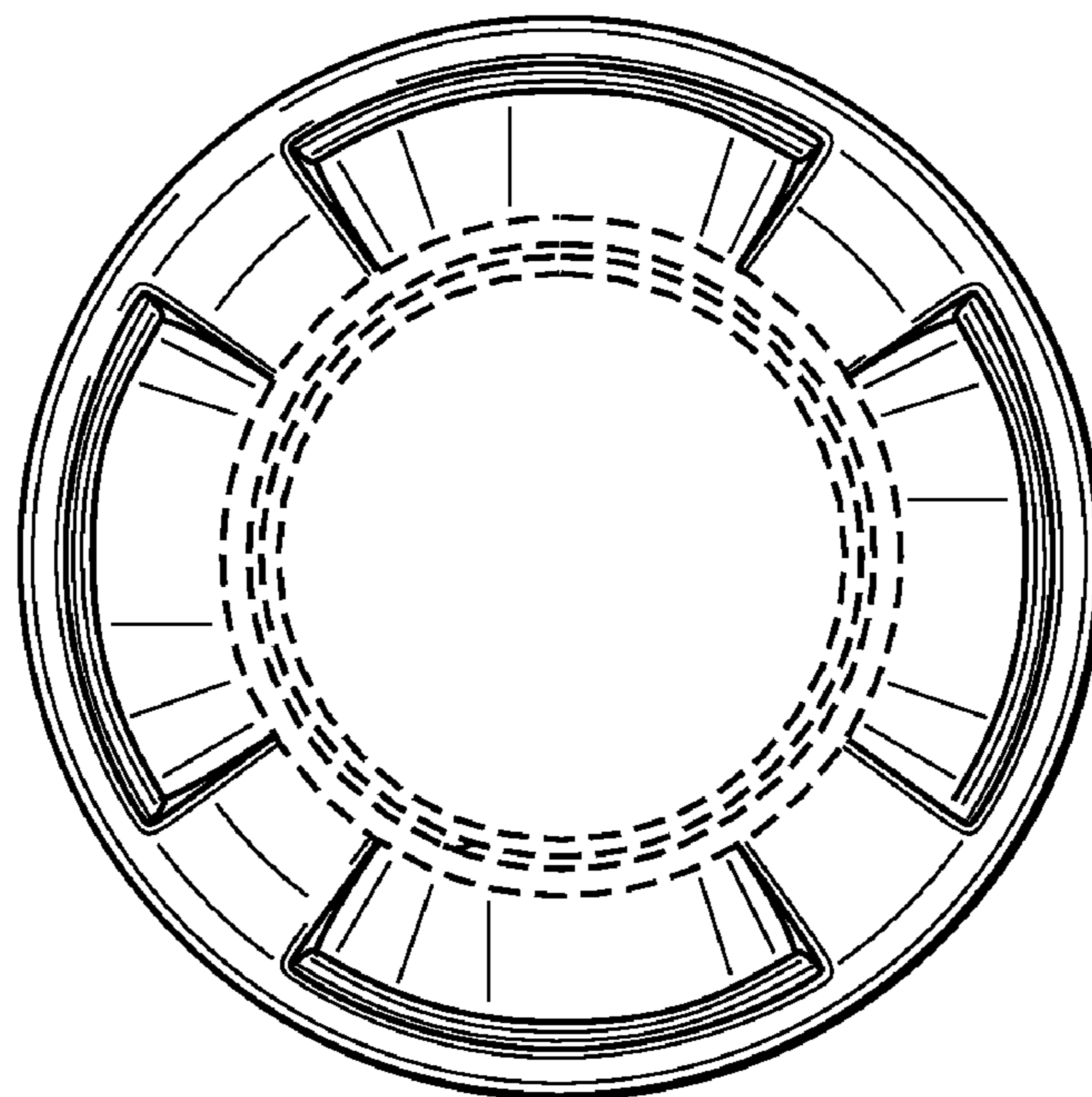


Fig. 5

