



US00D581285S

(12) **United States Design Patent**
Lepoitevin

(10) **Patent No.:** **US D581,285 S**

(45) **Date of Patent:** **** Nov. 25, 2008**

(54) **BOTTLE**

(75) Inventor: **Laurent Lepoitevin**, Le Havre Cedex
(FR)

(73) Assignee: **Sidel Participations**, Octeville sur Mer
(FR)

(**) Term: **14 Years**

(21) Appl. No.: **29/258,121**

(22) Filed: **Apr. 17, 2006**

(30) **Foreign Application Priority Data**

Oct. 17, 2005 (EM) 000416243

(51) **LOC (8) Cl.** **09-01**

(52) **U.S. Cl.** **D9/550; 551/552; 551/571;**
551/540; 551/520

(58) **Field of Classification Search** D9/614,
D9/682, 686-694, 516, 520, 537-543, 549-552,
D9/556-558; 215/371, 379, 381-384
See application file for complete search history.

(56) **References Cited**

U.S. PATENT DOCUMENTS

- D409,919 S * 5/1999 Young D9/520
- 5,906,286 A * 5/1999 Matsuno et al. 215/375
- D475,298 S * 6/2003 Corrigan et al. D9/558 X
- D527,638 S * 9/2006 Stolle D9/551 X
- D547,660 S * 7/2007 Lepoitevin D9/516
- D552,477 S * 10/2007 Hermel D9/538
- D555,486 S * 11/2007 Bourne D9/537

- D558,582 S * 1/2008 Venkataraman et al. D9/550
- D559,112 S * 1/2008 Hyde et al. D9/538
- D560,501 S * 1/2008 Kim et al. D9/539
- D560,508 S * 1/2008 Lepoitevin et al. D9/539 X
- D561,595 S * 2/2008 Le Bras-Brown et al. D9/537
- D561,596 S * 2/2008 Hyde et al. D9/538
- D564,889 S * 3/2008 Boon D9/552 X
- D565,416 S * 4/2008 Lepoitevin D9/538
- D567,663 S * 4/2008 Kinmont et al. D9/550
- D571,667 S * 6/2008 Bourne D9/539
- D573,029 S * 7/2008 Venkataraman et al. .. D9/552 X
- D573,030 S * 7/2008 Boon D9/552 X

* cited by examiner

Primary Examiner—Carol Rademaker

(74) *Attorney, Agent, or Firm*—Marshall, Gerstein & Borun
LLP

(57) **CLAIM**

The ornamental design for a bottle, as shown.

DESCRIPTION

FIG. 1 is a top, front, and right side perspective view of the bottle of the claimed design;

FIG. 2 is a bottom, front, and right side perspective view thereof;

FIG. 3 is a right side elevational view thereof;

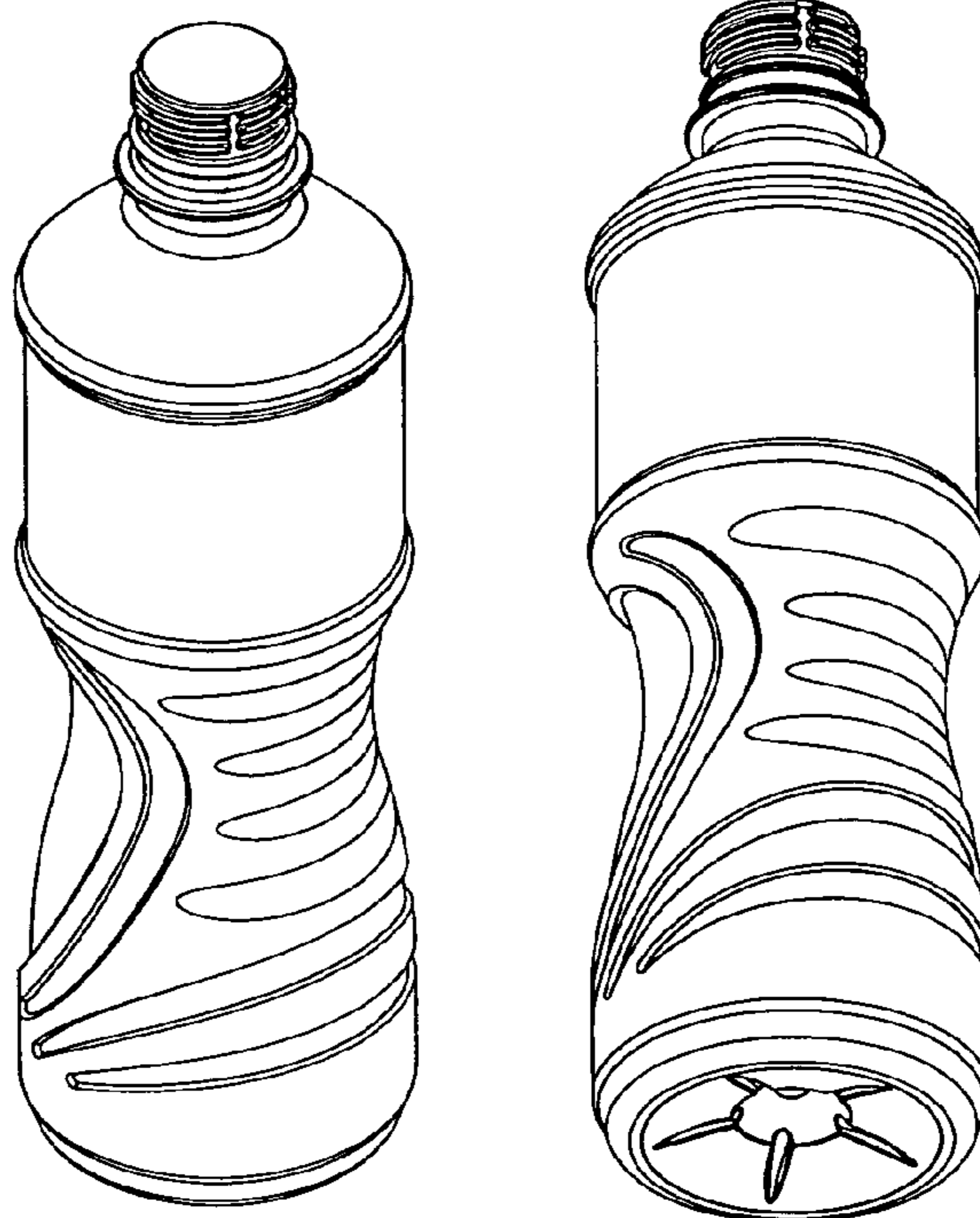
FIG. 4 is a front elevational view thereof;

FIG. 5 is a left side elevational view thereof

FIG. 6 is a top plan view thereof; and,

FIG. 7 is a bottom plan view thereof.

1 Claim, 2 Drawing Sheets



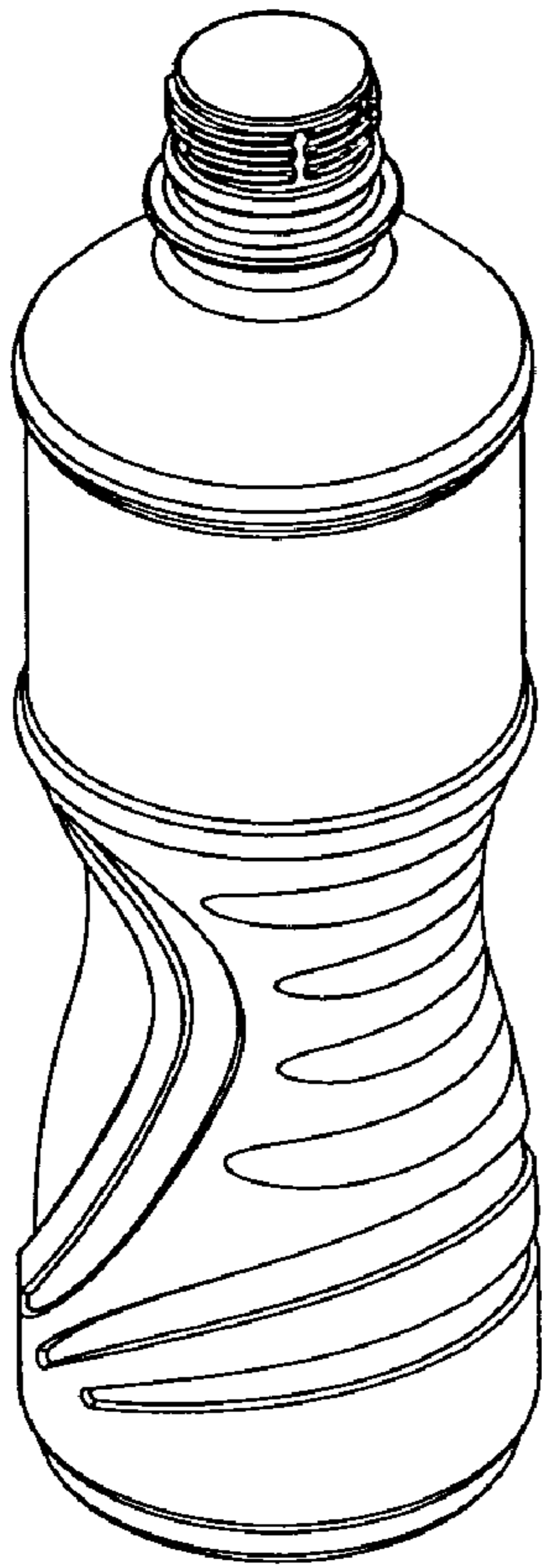


FIG. 1

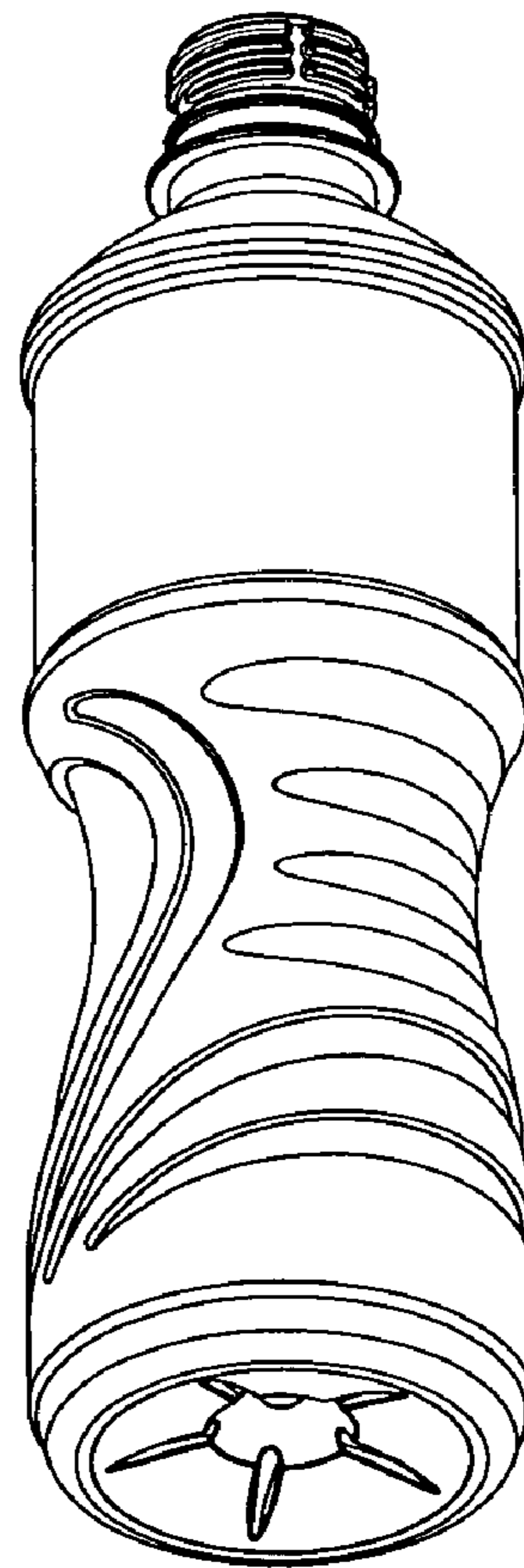


FIG. 2

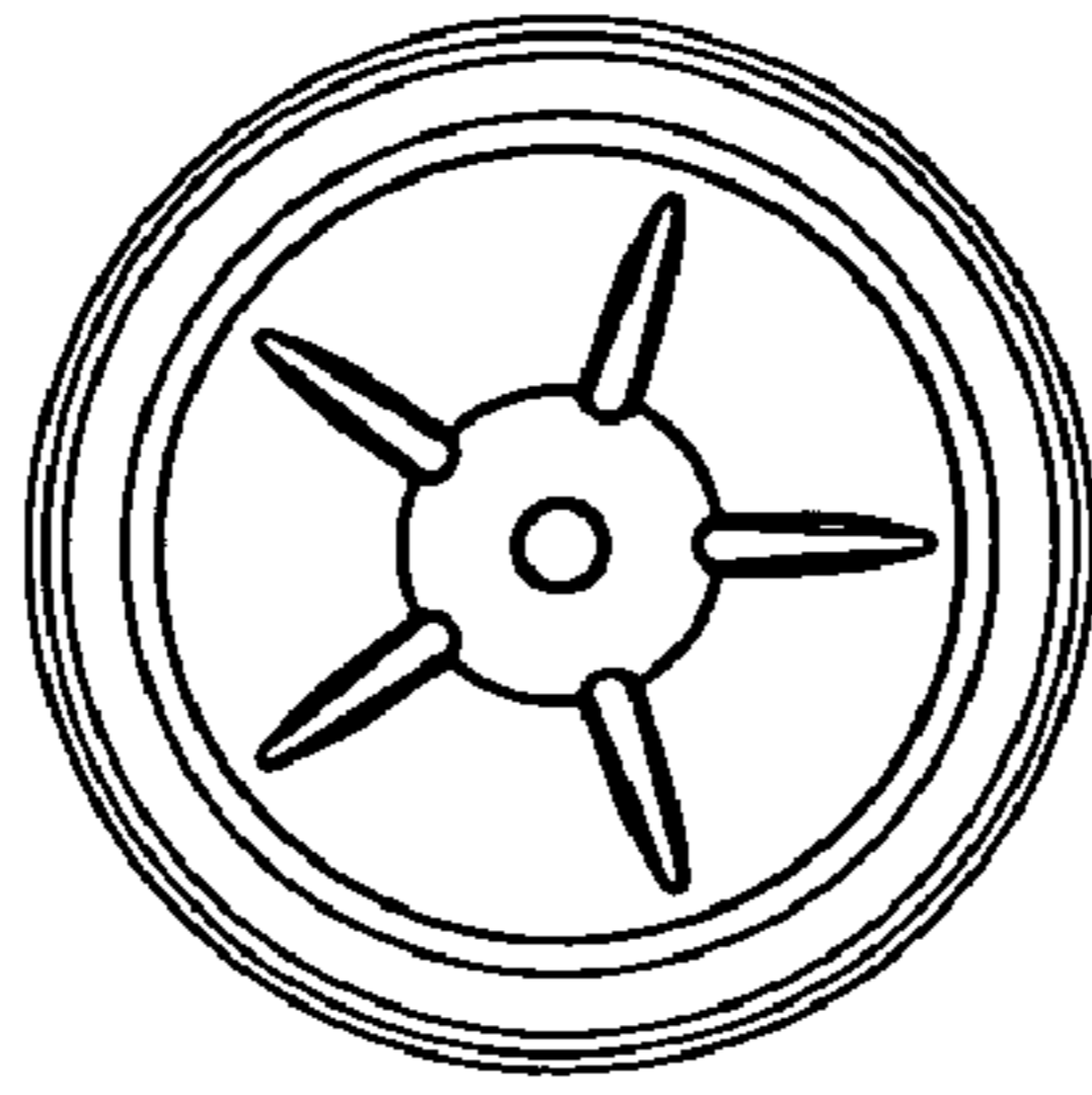


FIG. 7

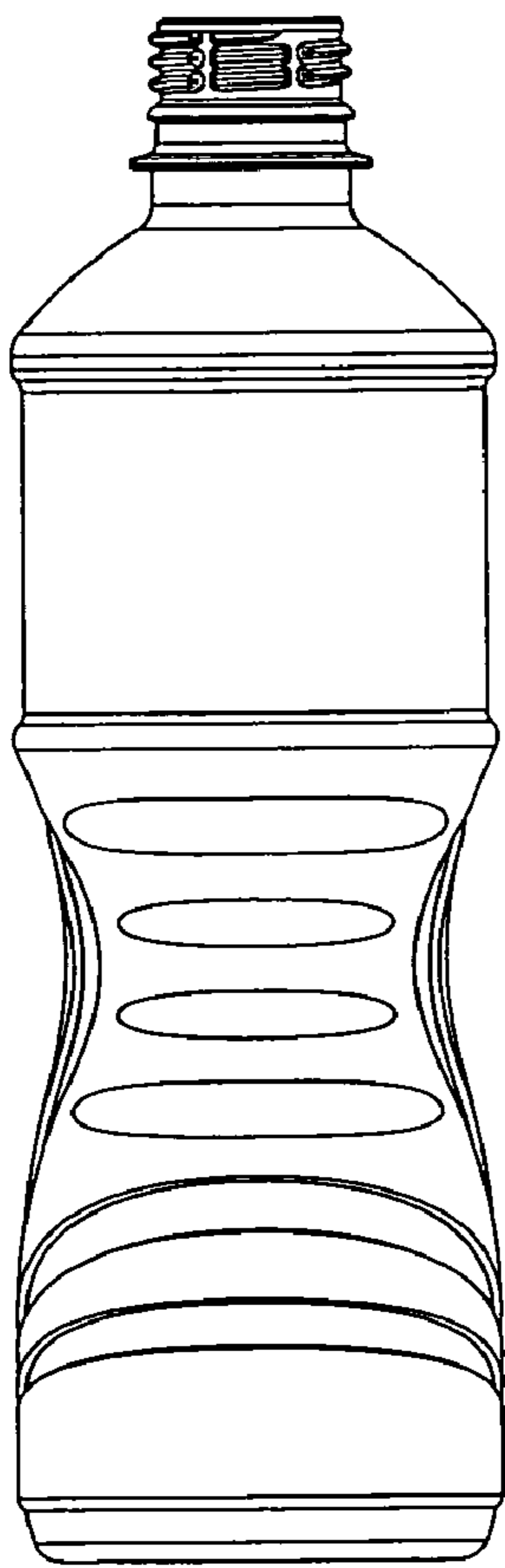


FIG. 3

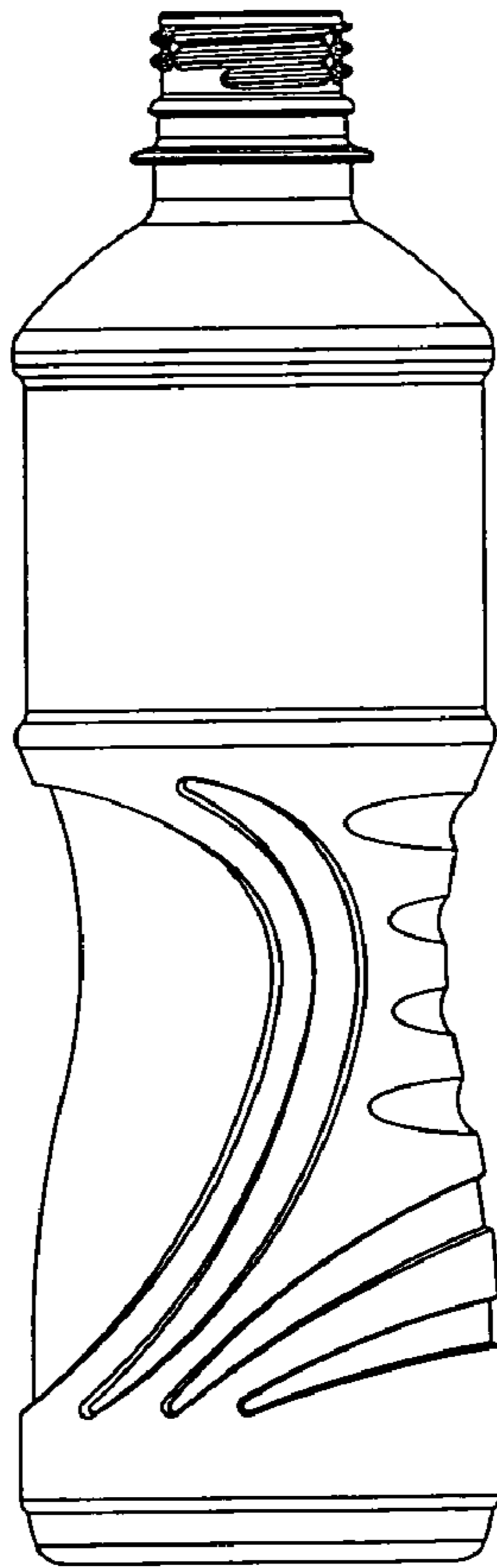


FIG. 4

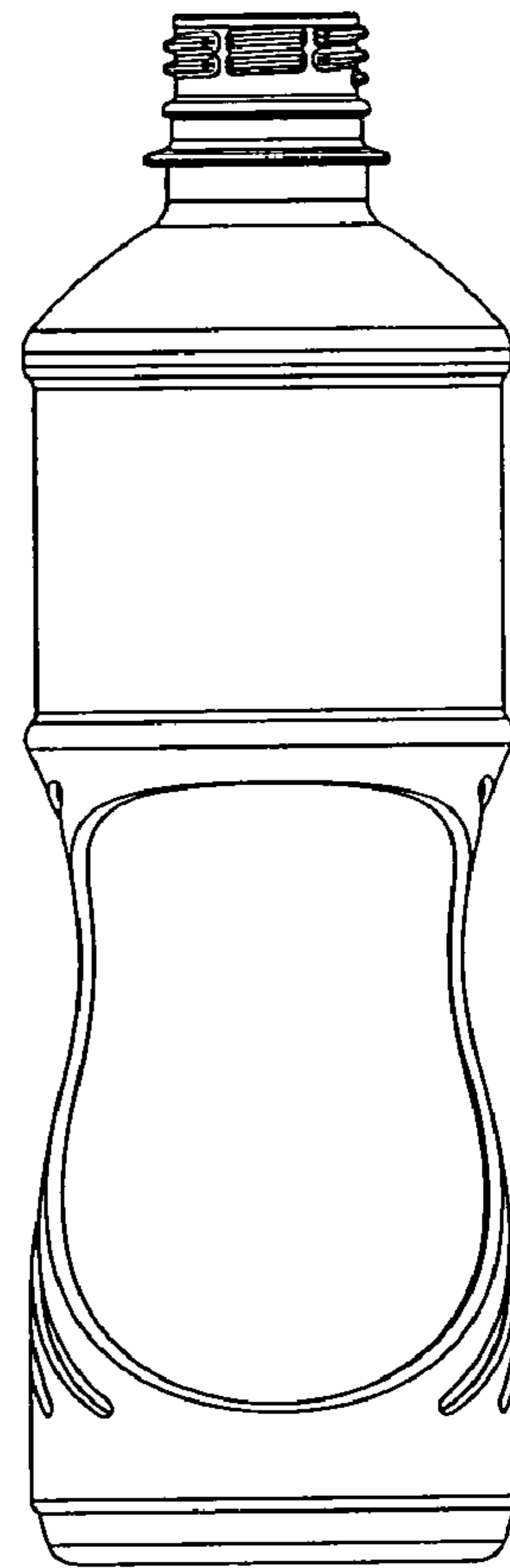


FIG. 5

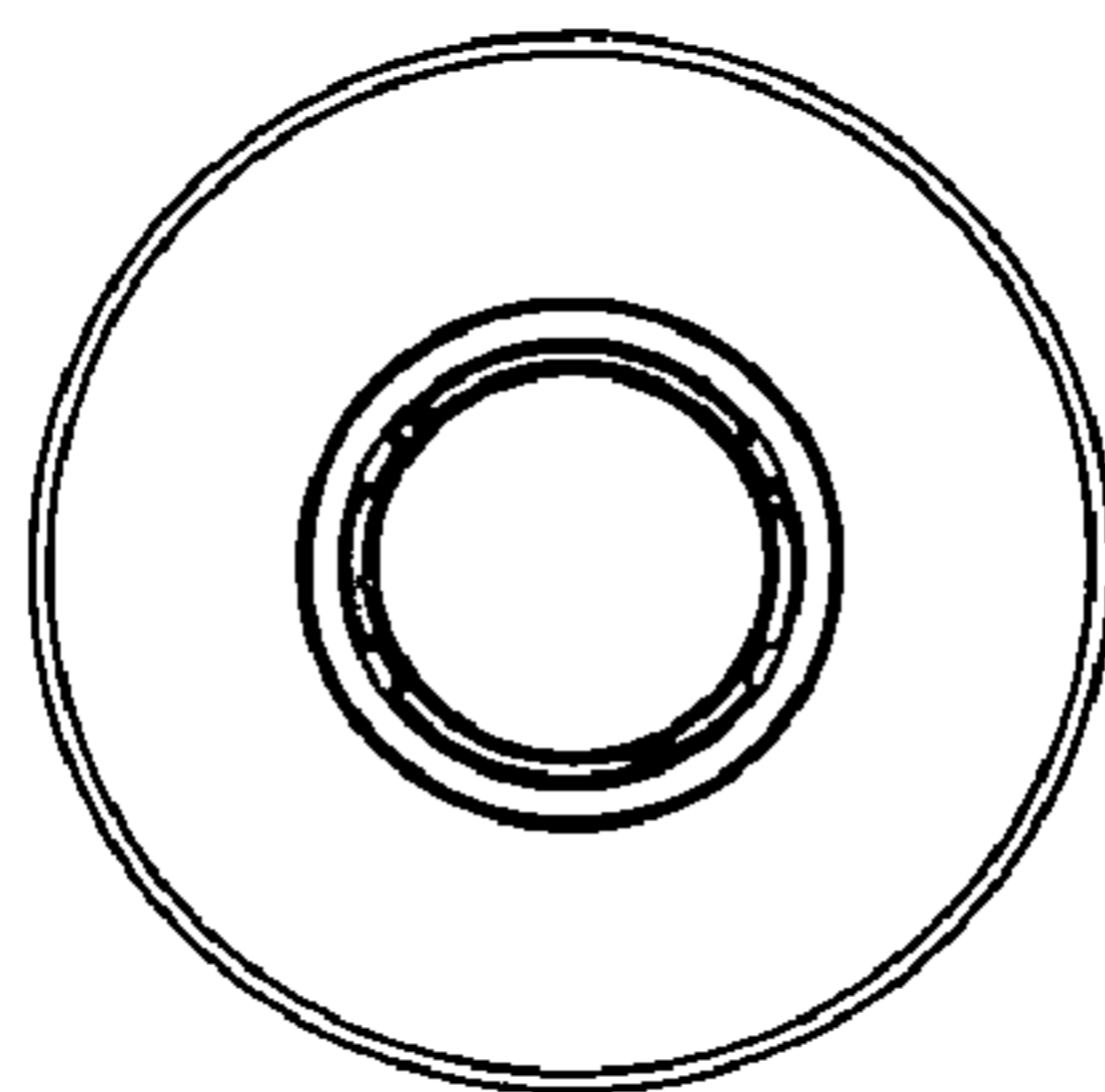


FIG. 6