



US00D581280S

(12) **United States Design Patent**
Oates

(10) **Patent No.:** **US D581,280 S**

(45) **Date of Patent:** **** Nov. 25, 2008**

(54) **JAR**

(75) Inventor: **Benjamin Phalan Oates**, Kent (GB)

(73) Assignee: **Conopco, Inc.**, Englewood Cliffs, NJ (US)

(**) Term: **14 Years**

(21) Appl. No.: **29/293,926**

(22) Filed: **Dec. 18, 2007**

(30) **Foreign Application Priority Data**

Jun. 18, 2007 (GB) 4003202

(51) **LOC (8) Cl.** **09-01**

(52) **U.S. Cl.** **D9/529; D9/549; D9/435; D9/454; D28/76; D28/82**

(58) **Field of Classification Search** D9/682, D9/686-694, 504, 529, 549, 552, 558, 435, D9/454; D28/4, 7, 76, 82; 215/379, 382-384; 220/660, 669, 670; 206/581, 235, 823

See application file for complete search history.

(56) **References Cited**

U.S. PATENT DOCUMENTS

3,464,599 A * 9/1969 Meth 222/589
D223,691 S * 5/1972 Newman D28/76 X
D255,215 S * 6/1980 Ellinwood D9/504
D338,833 S * 8/1993 Dinand D9/516
D370,416 S * 6/1996 Hirato D9/549
D383,068 S * 9/1997 Dinand D9/522
D402,894 S * 12/1998 Elia D9/504
D412,440 S * 8/1999 Chuang D9/503
6,029,842 A * 2/2000 Sheffler et al. 220/662 X
D434,324 S * 11/2000 Gobe D9/504
D434,667 S * 12/2000 Gobe D9/529
D435,449 S * 12/2000 Moretti D9/500
D459,498 S * 6/2002 Araujo D26/6
D468,626 S * 1/2003 Jødal et al. D9/693

D504,615 S * 5/2005 Papiernik D9/529 X
6,923,347 B2 * 8/2005 Winckels 220/23.83 X
D512,914 S * 12/2005 Moretti D9/454
D520,370 S * 5/2006 Priestman D9/529
D525,131 S * 7/2006 Davies et al. D9/504
D526,445 S * 8/2006 Ng D28/76
D530,607 S * 10/2006 Cornet et al. D9/445
D543,848 S * 6/2007 Mettler et al. D9/504
D544,350 S * 6/2007 Mettler et al. D9/504
D562,142 S * 2/2008 Bunce et al. D9/529

FOREIGN PATENT DOCUMENTS

GB 2084631 * 9/1999
GB 3010013 * 4/2003

OTHER PUBLICATIONS

Co-Pending Appln.—Oates: U.S. Appl. No. 29/293,918; for: Pump Bottle With Cap, filed Dec. 18, 2007.

Co-Pending Appln.—Oates: U.S. Appl. No. 29/293,927; for: Cap, filed Dec. 18, 2007.

* cited by examiner

Primary Examiner—Carol Rademaker

(74) *Attorney, Agent, or Firm*—Milton L. Honig

(57) **CLAIM**

The ornamental design for a jar, substantially as shown and described.

DESCRIPTION

FIG. 1 is a top, front, and right side perspective view of my jar;

FIG. 2 is a front elevational view thereof;

FIG. 3 is a rear elevational view thereof;

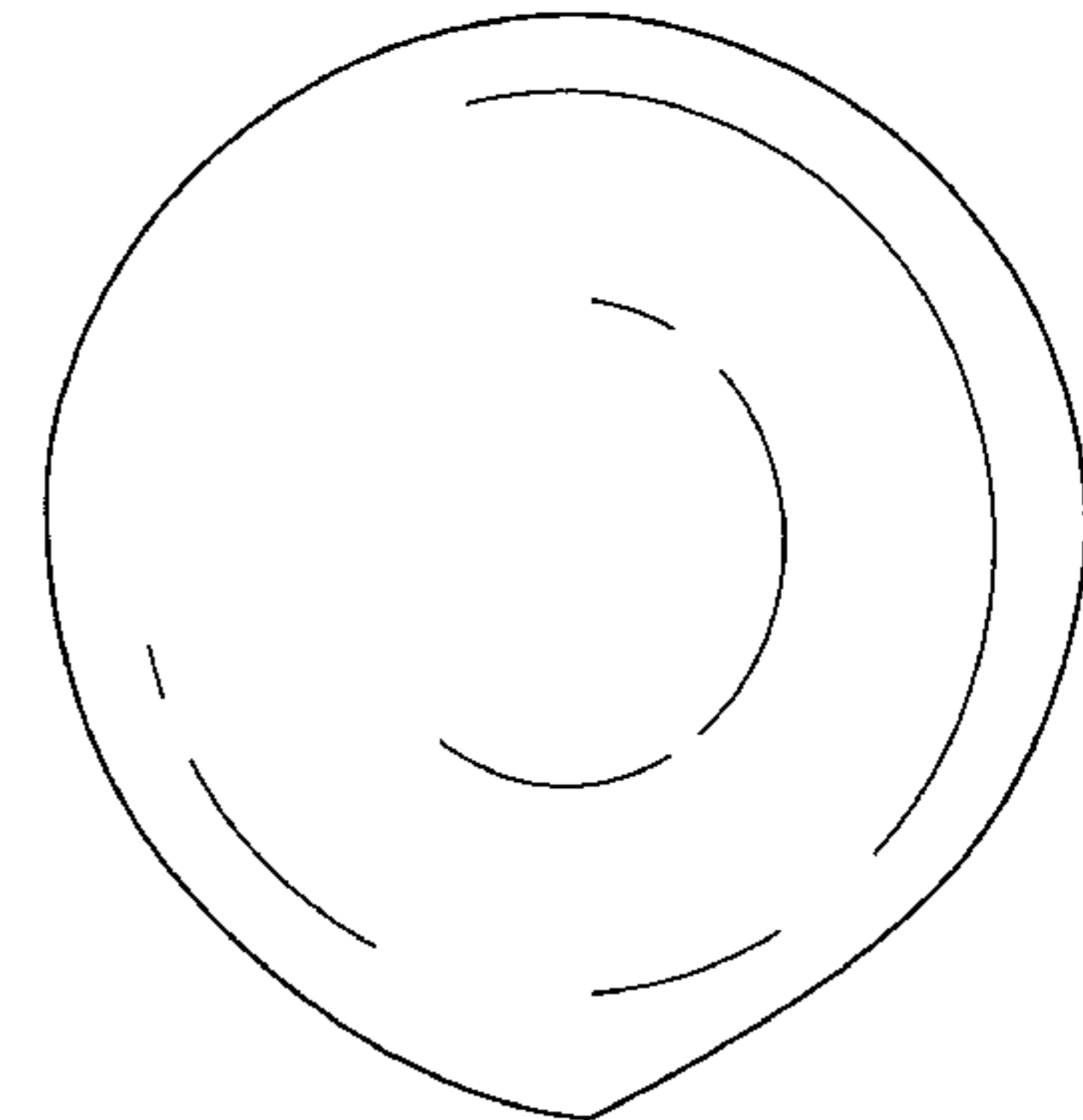
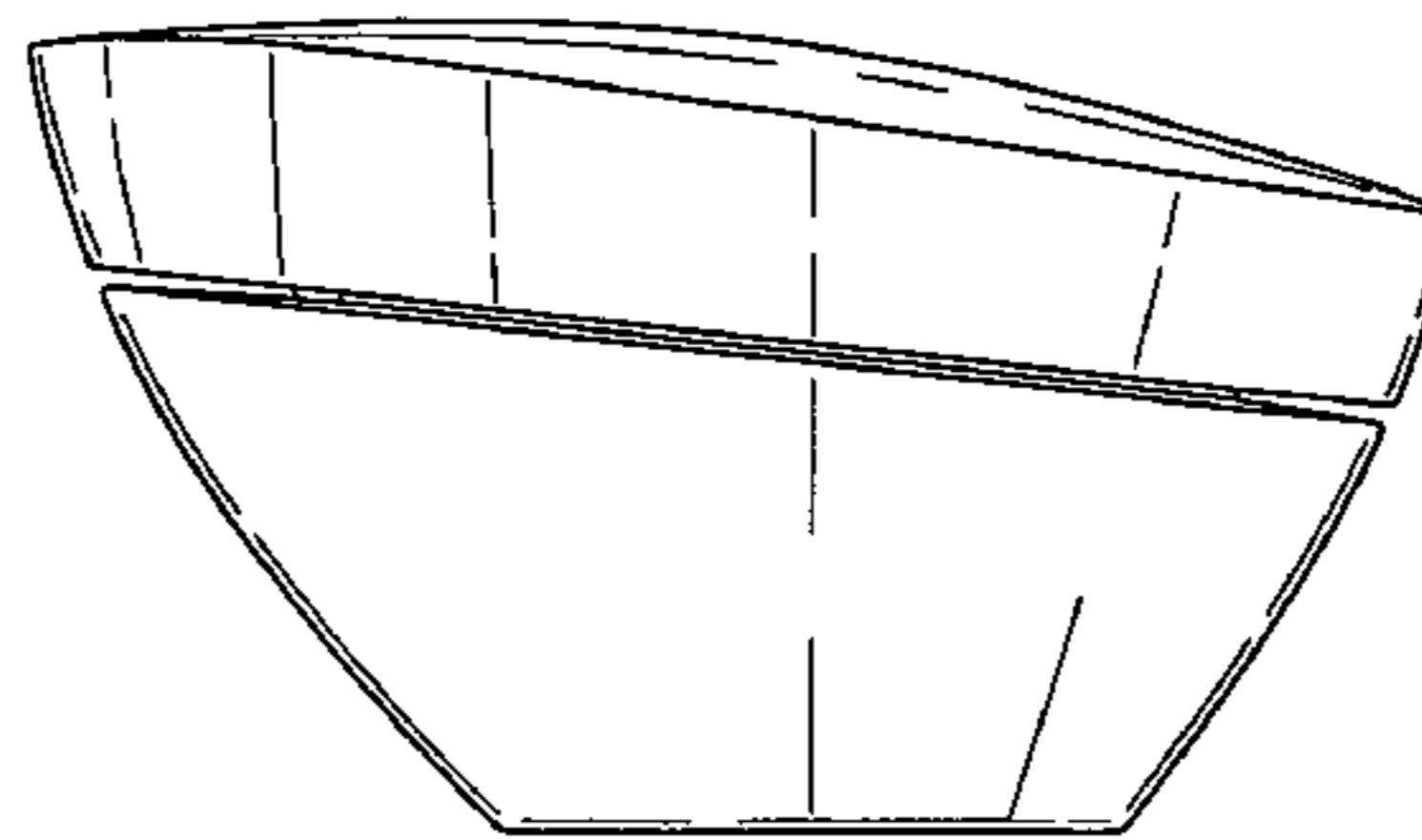
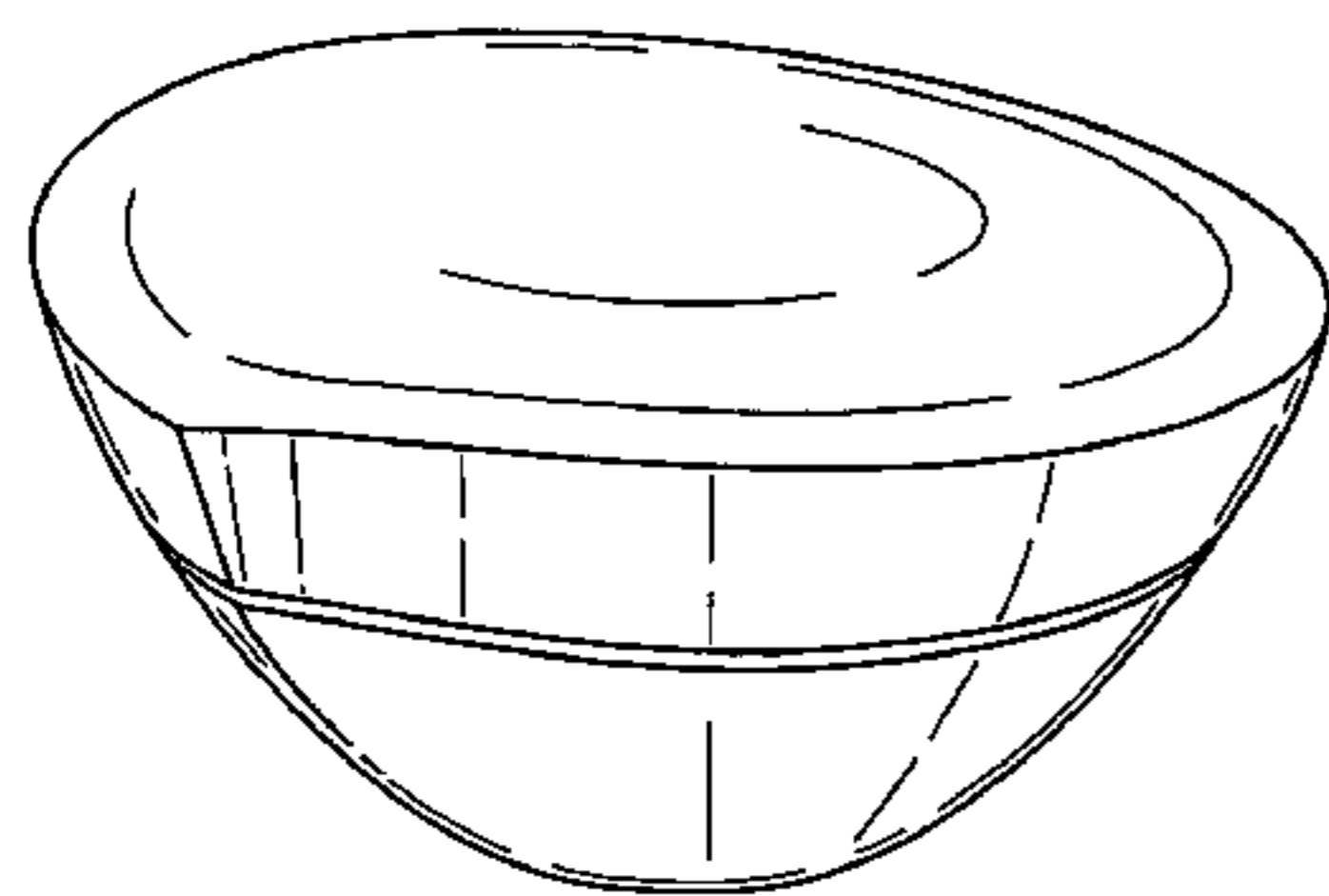
FIG. 4 is a right side elevational view thereof;

FIG. 5 is a left side elevational view thereof;

FIG. 6 is a top plan view thereof; and,

FIG. 7 is a bottom plan view thereof.

1 Claim, 3 Drawing Sheets



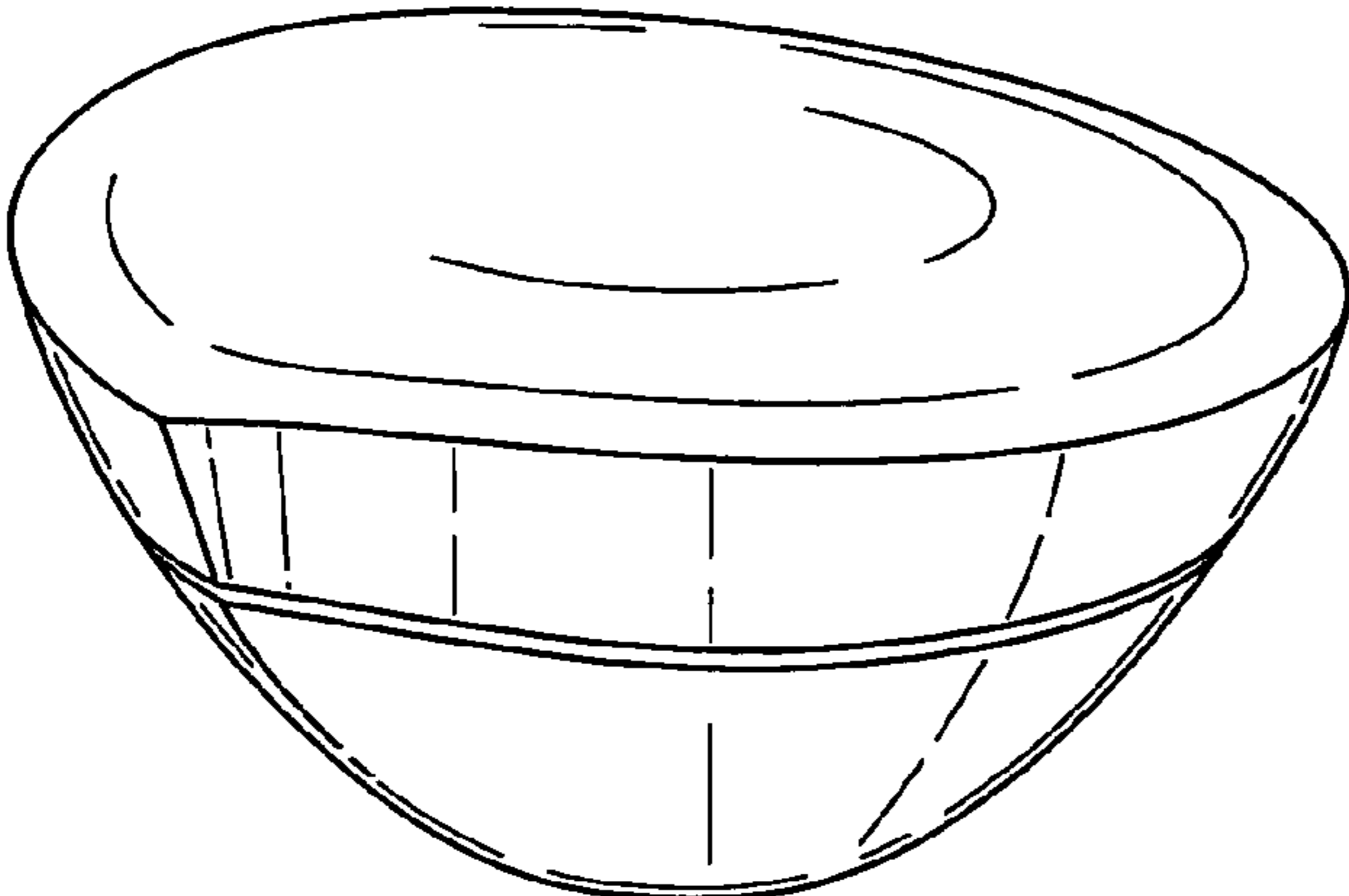


Fig. 1.

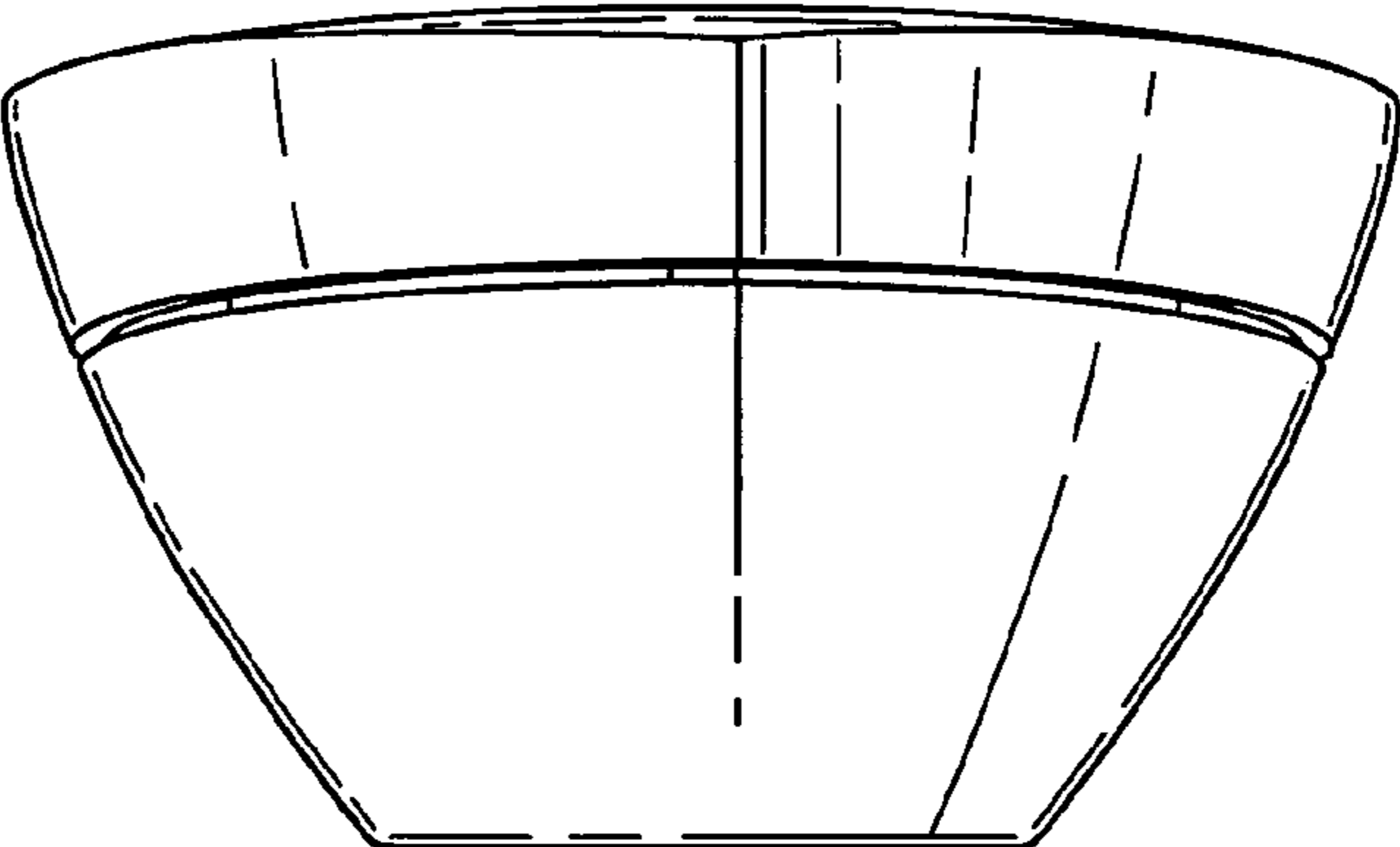


Fig. 2.

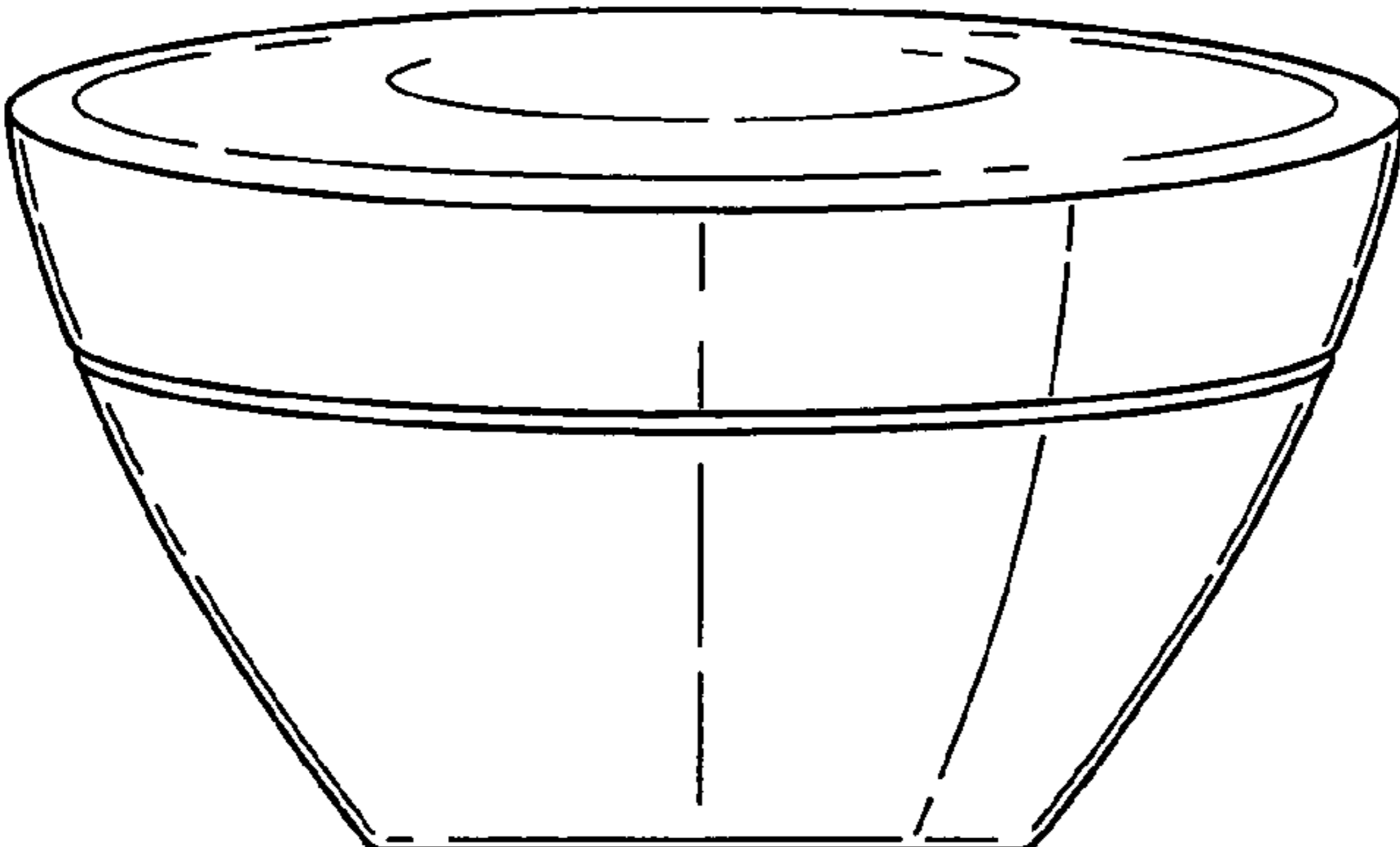


Fig. 3.

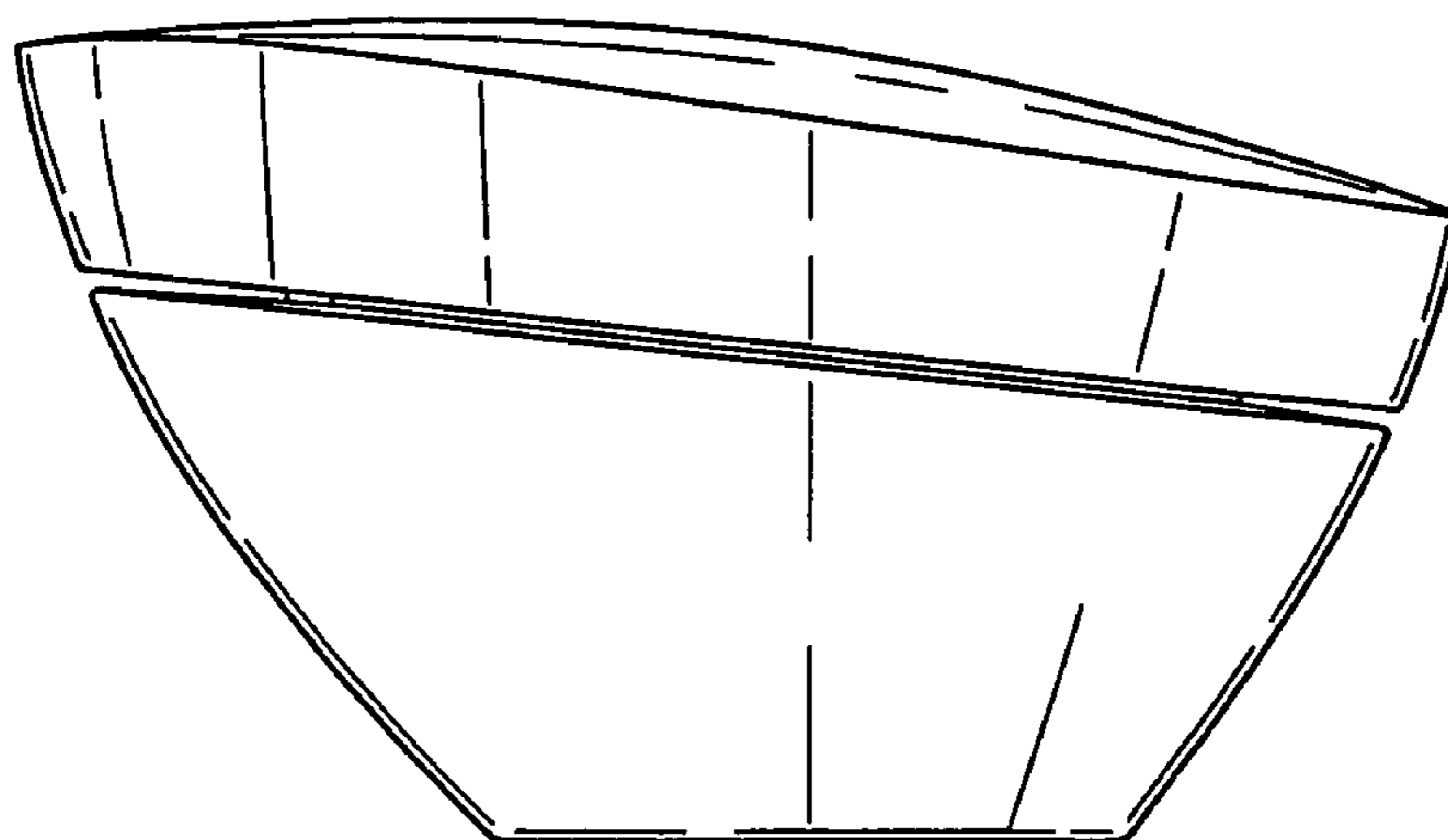


Fig. 4.

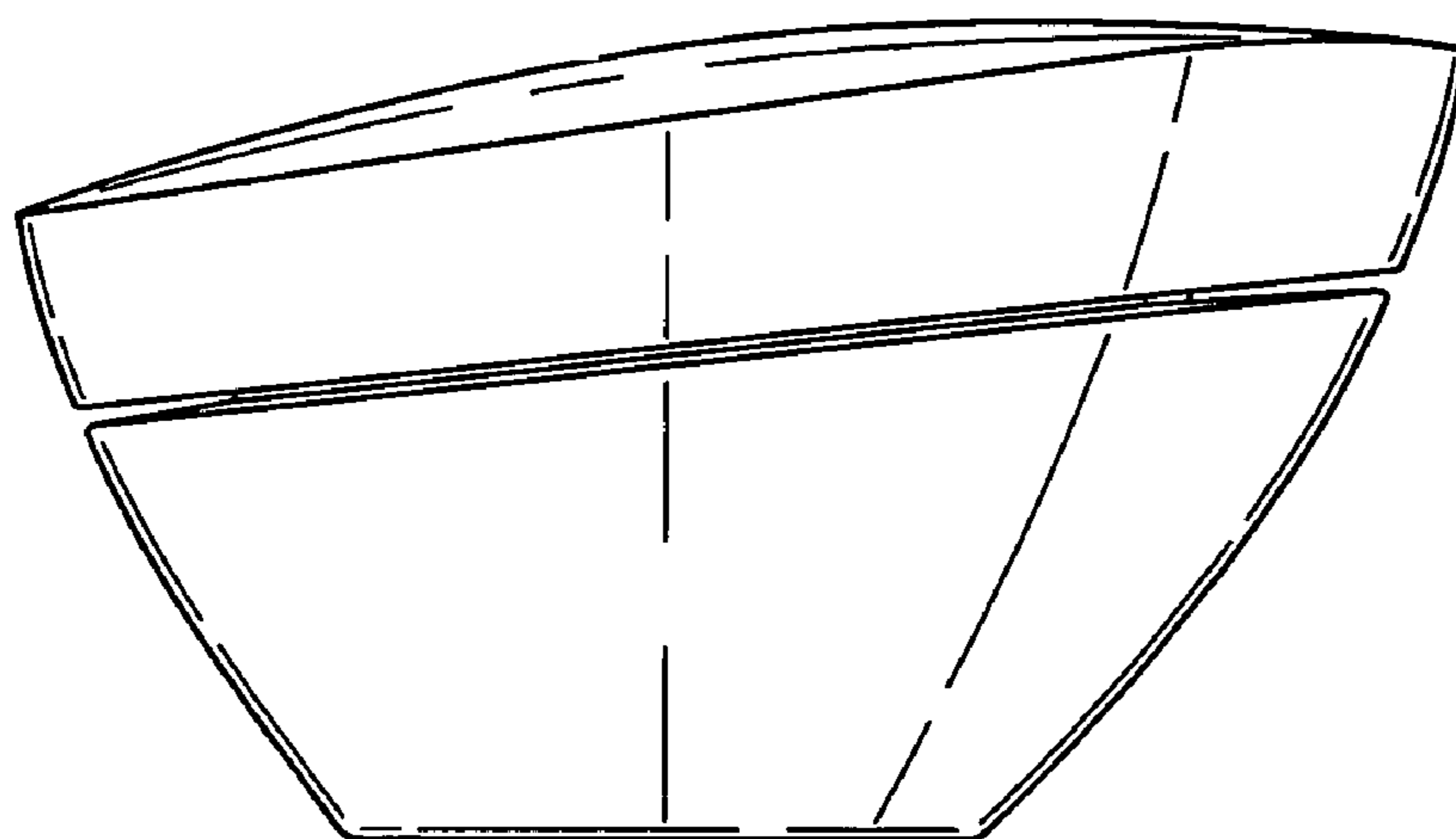


Fig. 5.

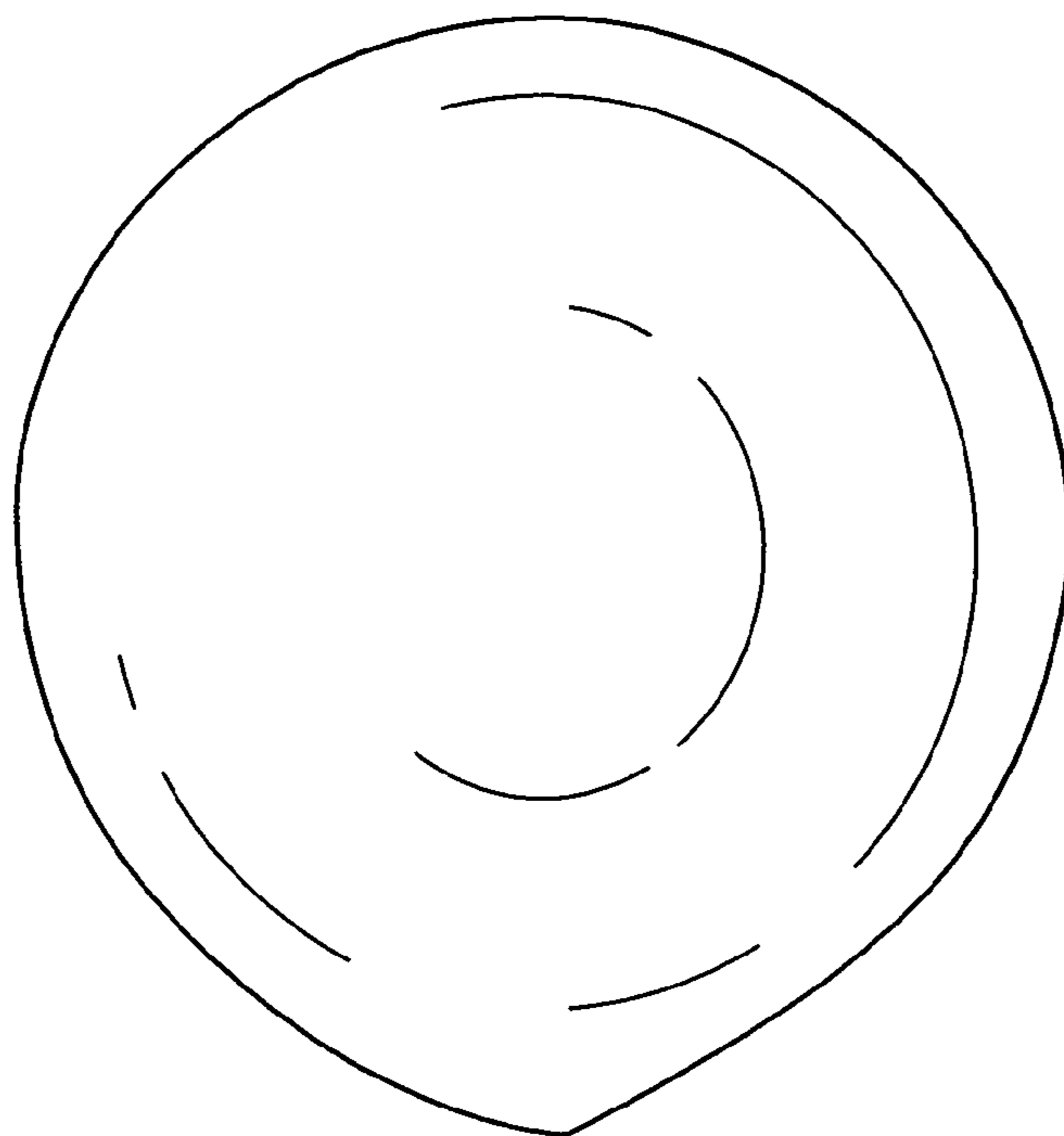


Fig.6.

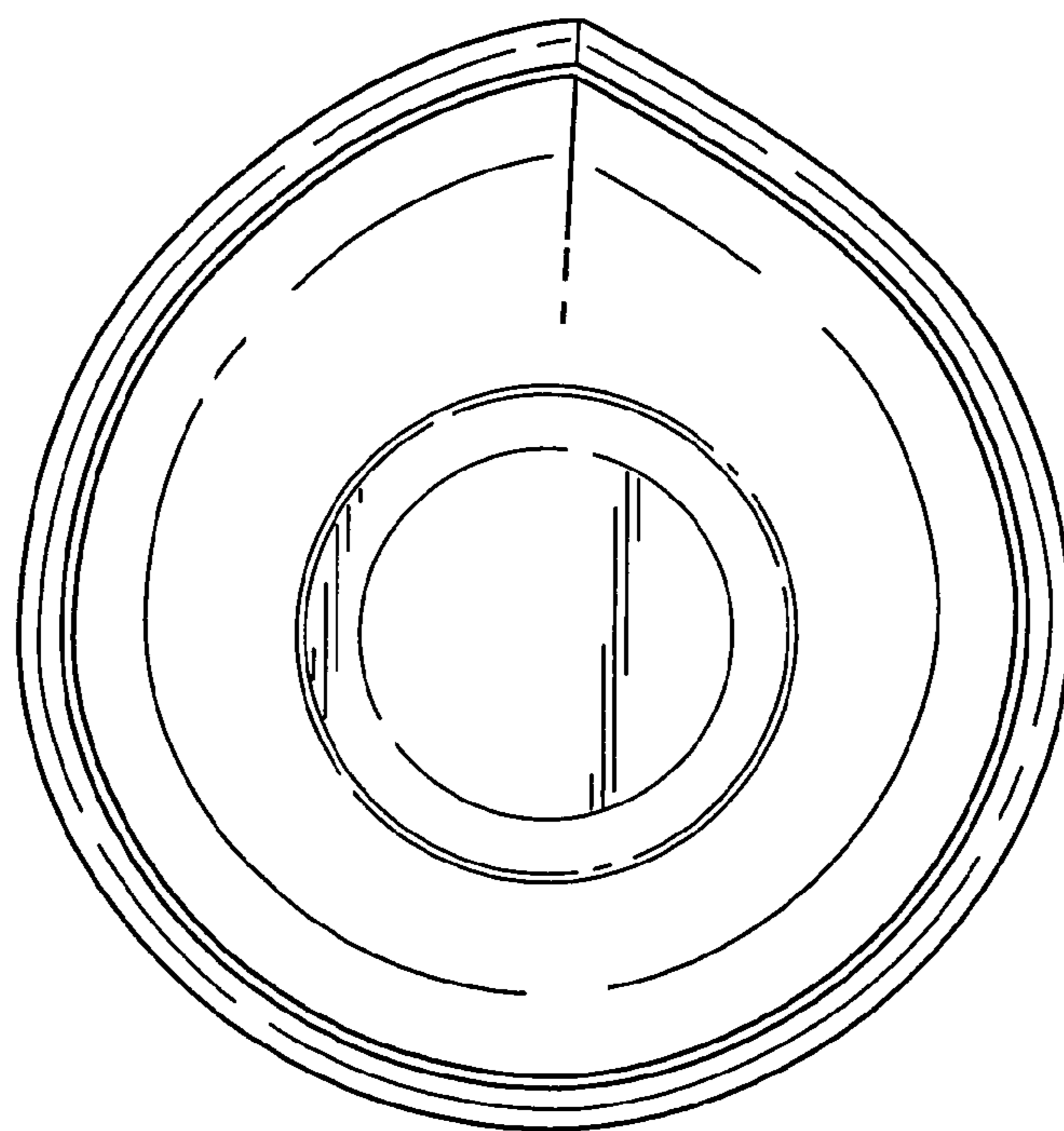


Fig.7.

UNITED STATES PATENT AND TRADEMARK OFFICE
CERTIFICATE OF CORRECTION

PATENT NO. : Des. 581,280 S
APPLICATION NO. : 29/293926
DATED : November 25, 2008
INVENTOR(S) : Benjamin Phalan Oates

Page 1 of 1

It is certified that error appears in the above-identified patent and that said Letters Patent is hereby corrected as shown below:

Title page # 73 Assignee

“Conopco, Inc.”----- Should read **Conopco, Inc. d/b/a Unilever, Englewood Cliffs, NJ**

Signed and Sealed this

Twenty-seventh Day of January, 2009



JOHN DOLL

Acting Director of the United States Patent and Trademark Office