



US00D581279S

(12) **United States Design Patent**
Oates

(10) **Patent No.:** **US D581,279 S**

(45) **Date of Patent:** **** Nov. 25, 2008**

(54) **JAR**

(75) Inventor: **Benjamin Phalan Oates**, Kent (GB)

(73) Assignee: **Conopco, Inc.**, Englewood Cliffs, NJ (US)

(**) Term: **14 Years**

(21) Appl. No.: **29/293,917**

(22) Filed: **Dec. 18, 2007**

(30) **Foreign Application Priority Data**

Jun. 18, 2007 (GB) 4003201

(51) **LOC (8) Cl.** **09-01**

(52) **U.S. Cl.** **D9/529; D9/549; D9/435; D9/454; D28/76; D28/82**

(58) **Field of Classification Search** D9/682, D9/686-694, 504, 529, 549, 552, 558, 435, D9/454; D28/4, 7, 76, 82; 215/379, 382-384; 220/660, 669, 670; 206/581, 235, 823

See application file for complete search history.

(56) **References Cited**

U.S. PATENT DOCUMENTS

D24,991 S *	12/1895	Estes	D9/504
D28,637 S *	5/1898	Estes	D9/504
1,860,550 A *	5/1932	Pfeiffer	206/581
D223,691 S *	5/1972	Newman	D28/76 X
D256,778 S *	9/1980	Stahel, II	D9/504
D398,079 S *	9/1998	Denison	D28/82
D402,894 S *	12/1998	Elia	D9/504
D411,747 S *	6/1999	Kokenge et al.	D9/454 X
6,029,842 A *	2/2000	Sheffler et al.	220/288
D434,324 S *	11/2000	Gobe	D9/504
D434,667 S *	12/2000	Gobe	D9/529

D442,338 S *	5/2001	Roman	D28/82
D446,456 S *	8/2001	Adachi et al.	D9/529
D474,405 S *	5/2003	Togasawa	D9/504
D476,893 S *	7/2003	Pinnavaia	D9/454
D495,956 S *	9/2004	Martinez	D9/529
D512,914 S *	12/2005	Moretti	D9/454
D520,370 S *	5/2006	Priestman	D9/529
D525,136 S *	7/2006	Bakic	D28/82 X
D530,607 S *	10/2006	Cornet et al.	D9/445
2004/0069677 A1 *	4/2004	Baudin	206/581

FOREIGN PATENT DOCUMENTS

GB	1051033	*	12/1988
GB	2071573	*	5/1998

* cited by examiner

Primary Examiner—Carol Rademaker

(74) *Attorney, Agent, or Firm*—Milton L. Honig

(57) **CLAIM**

The ornamental design for a jar, substantially as shown and described.

DESCRIPTION

FIG. 1 is a top, front, and right side perspective view of my jar;

FIG. 2 is a front elevational view thereof;

FIG. 3 is a rear elevational view thereof;

FIG. 4 is a right side elevational view thereof;

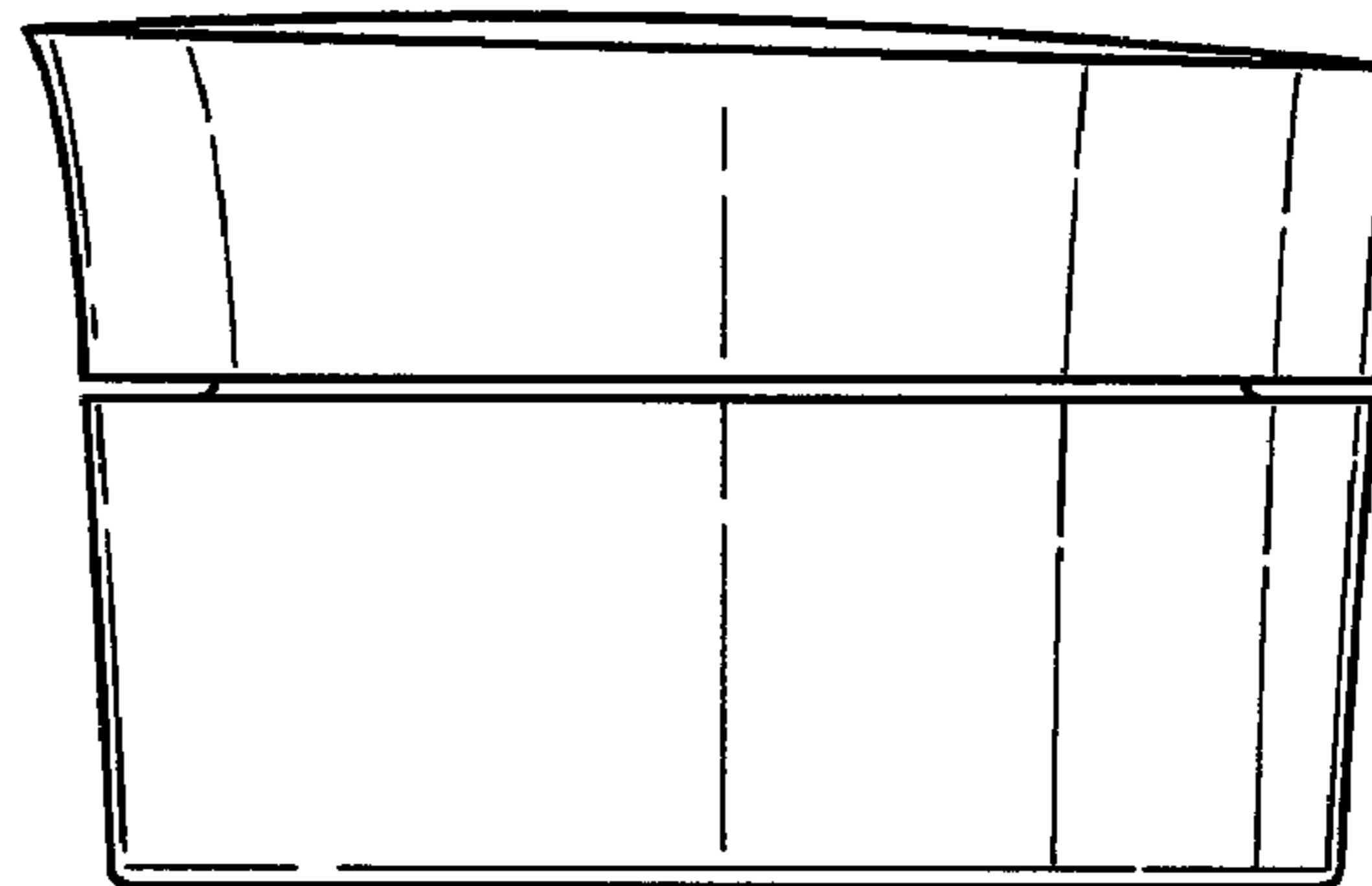
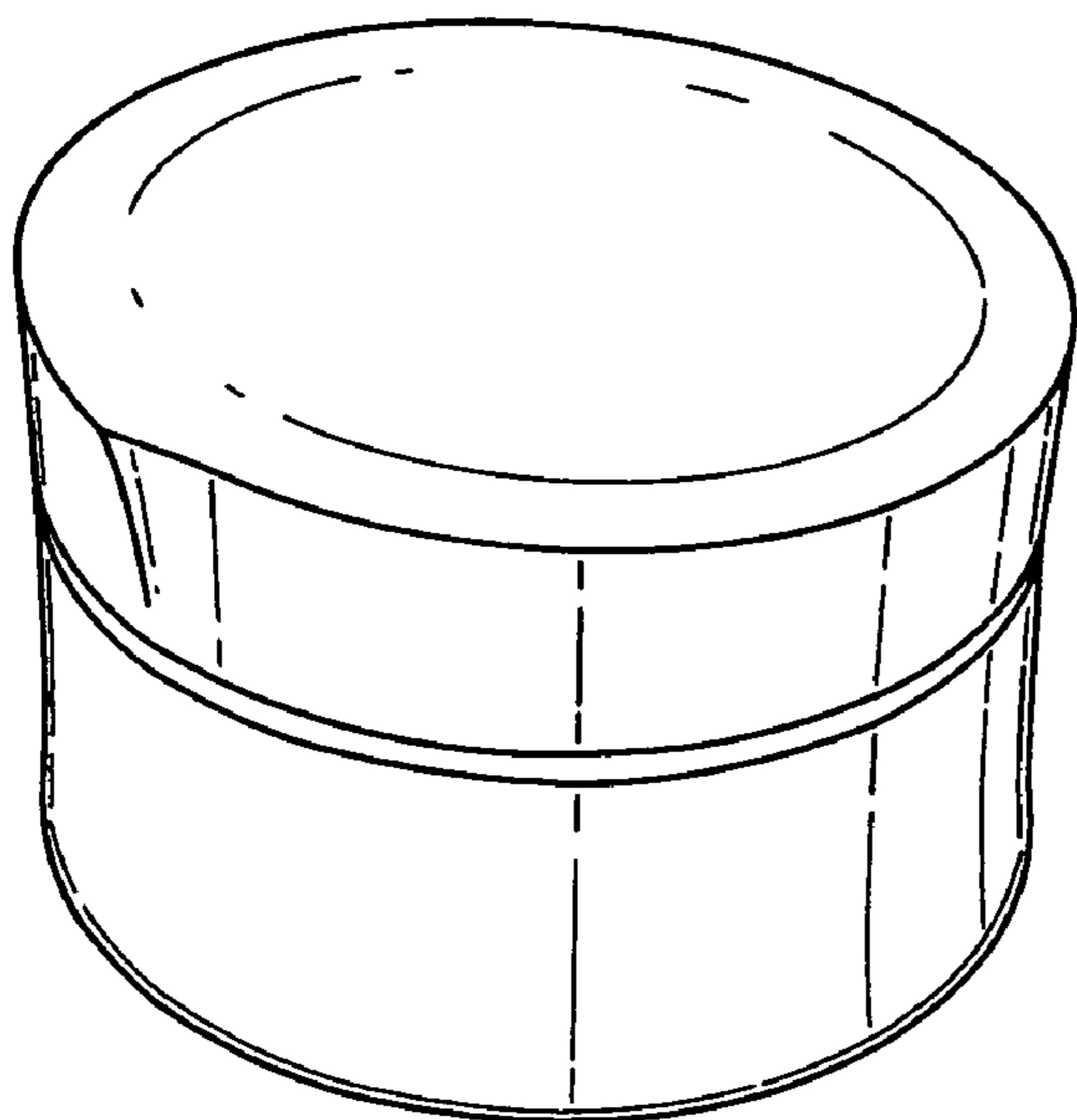
FIG. 5 is a left side elevational view thereof;

FIG. 6 is a top plan view thereof; and,

FIG. 7 is a bottom plan view thereof.

The broken line showing of a portion of the bottom surface is included for the purpose of showing environmental structure that forms no part of the claimed design.

1 Claim, 2 Drawing Sheets



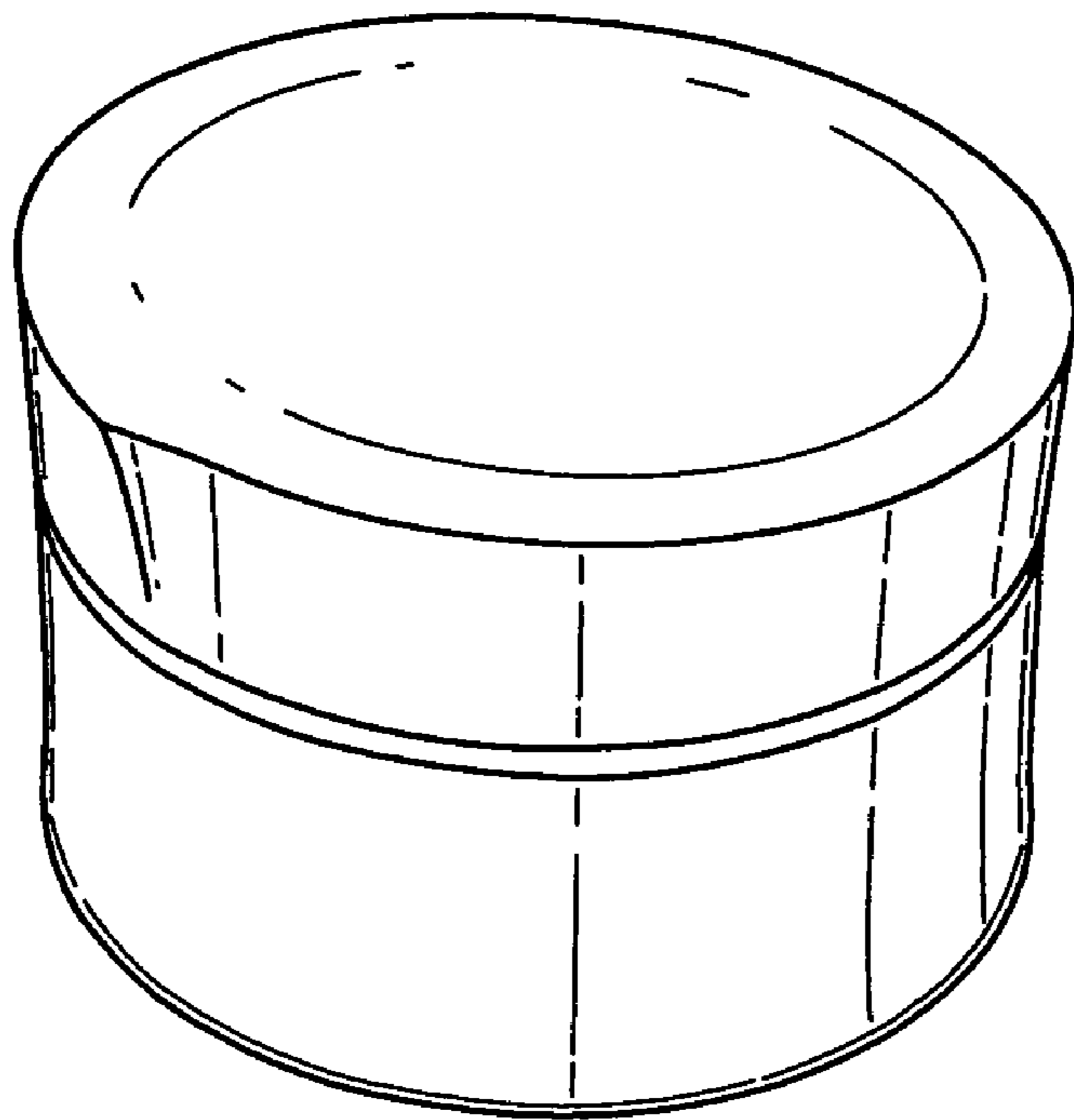


Fig. 1.

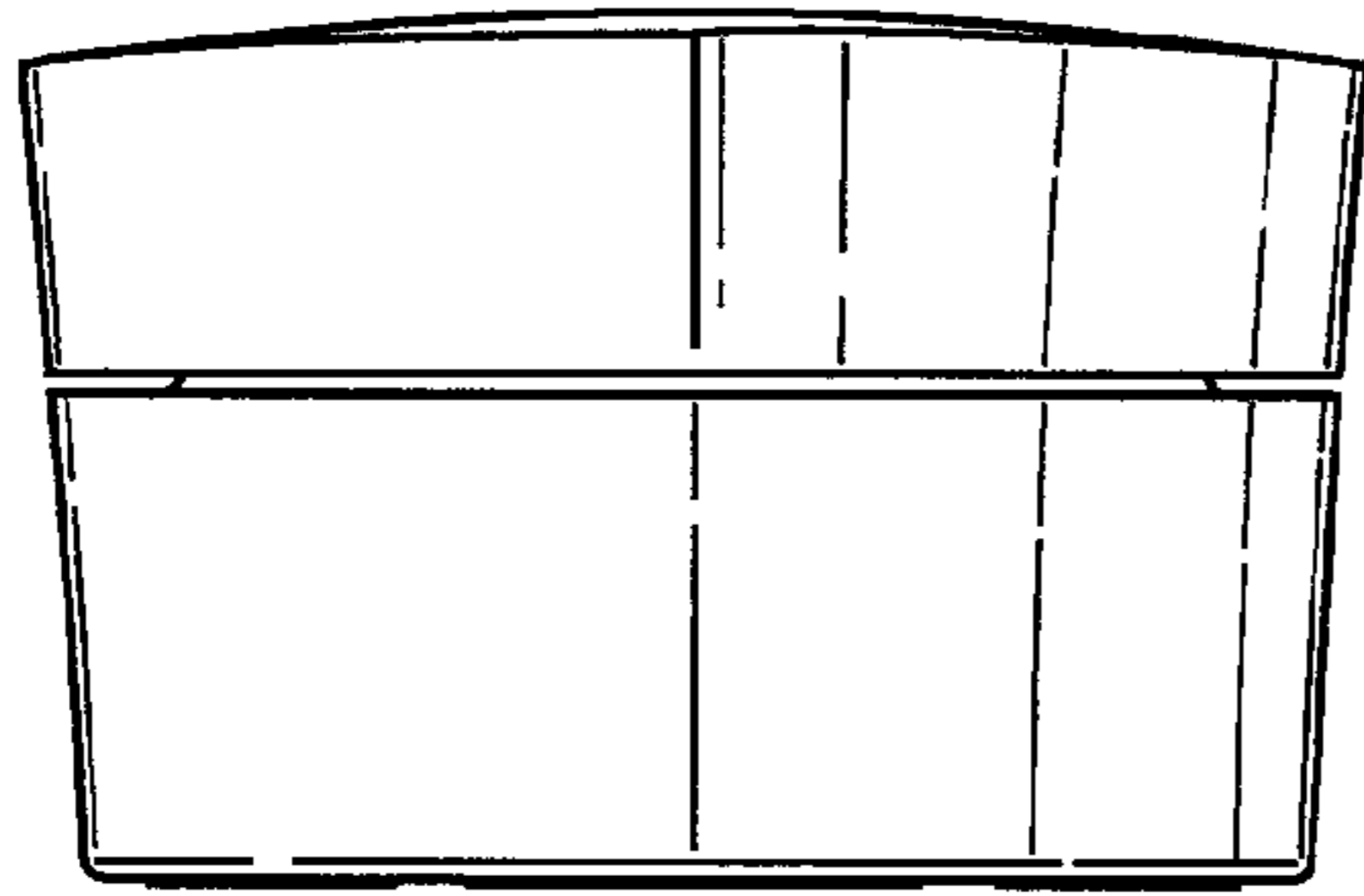


Fig.2.

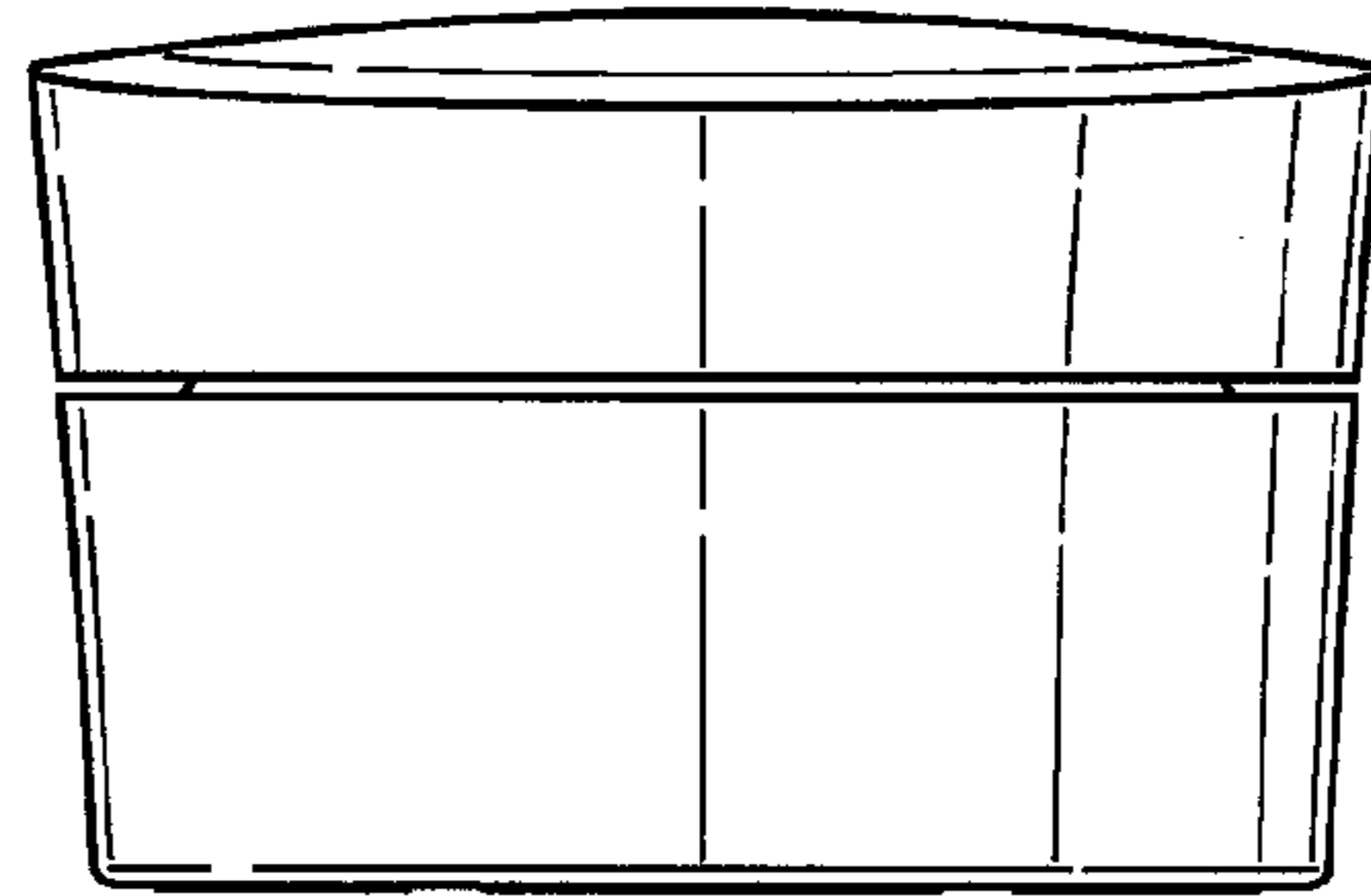


Fig.3.

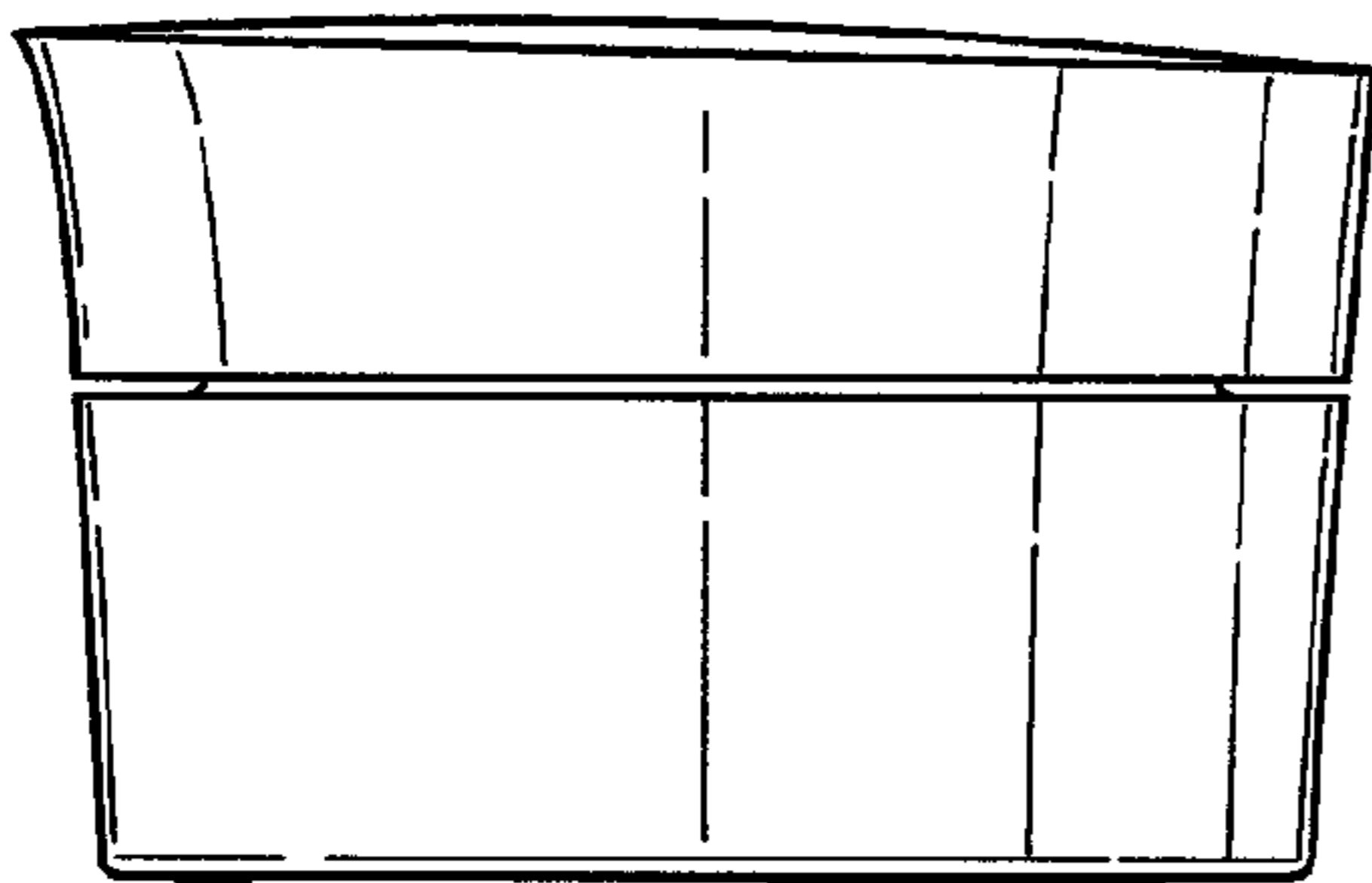


Fig.4.

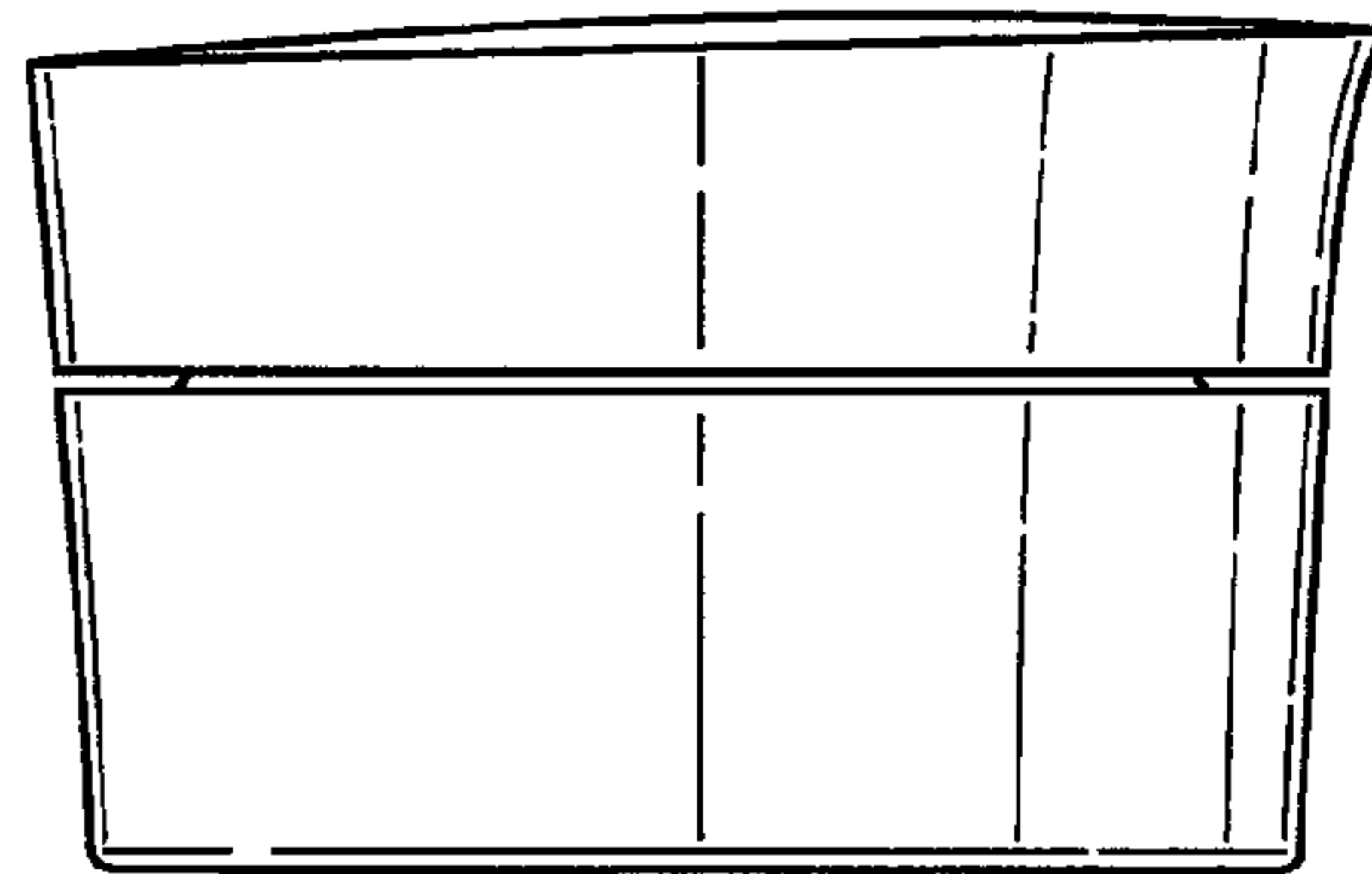


Fig.5.

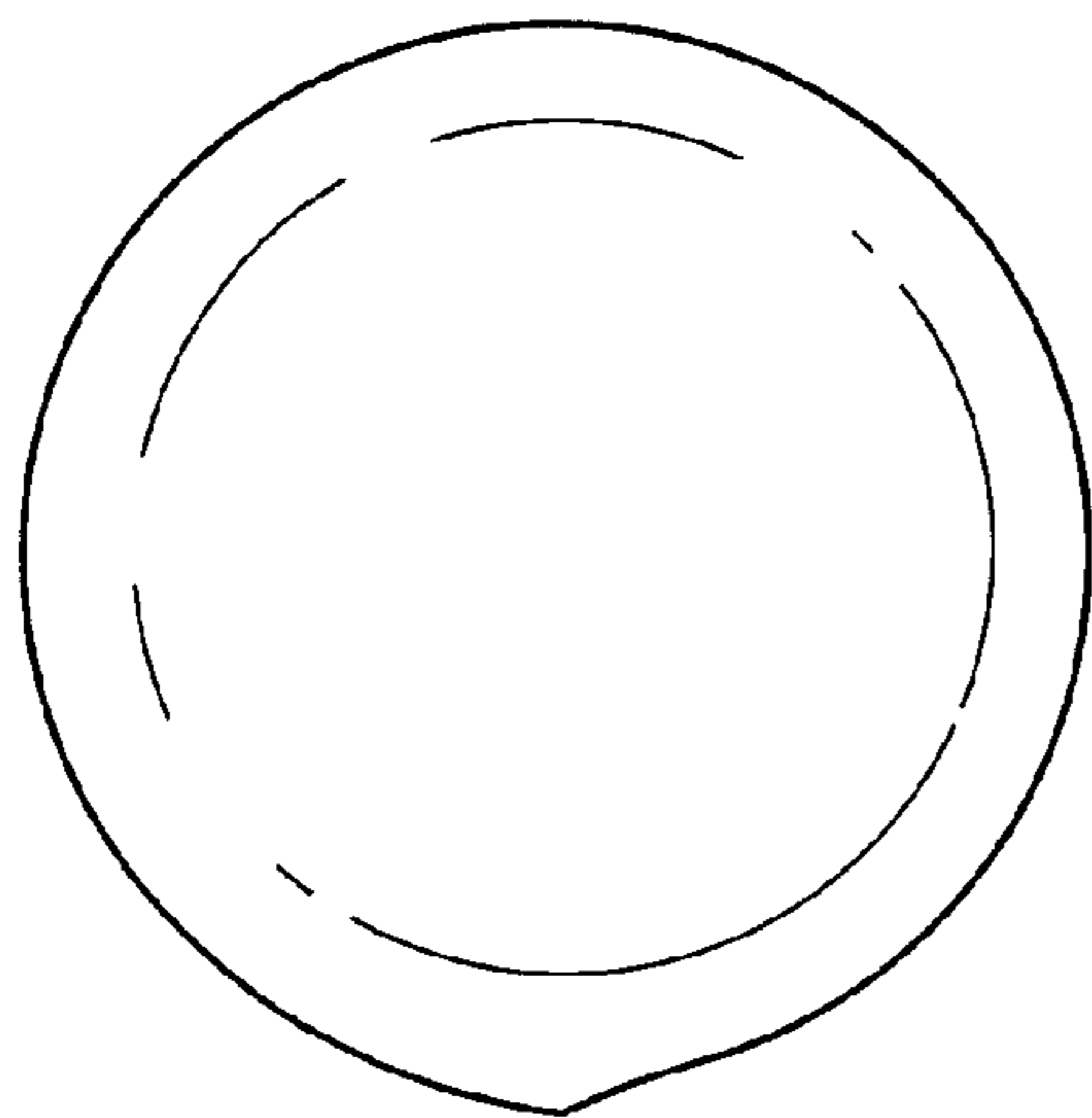


Fig.6.

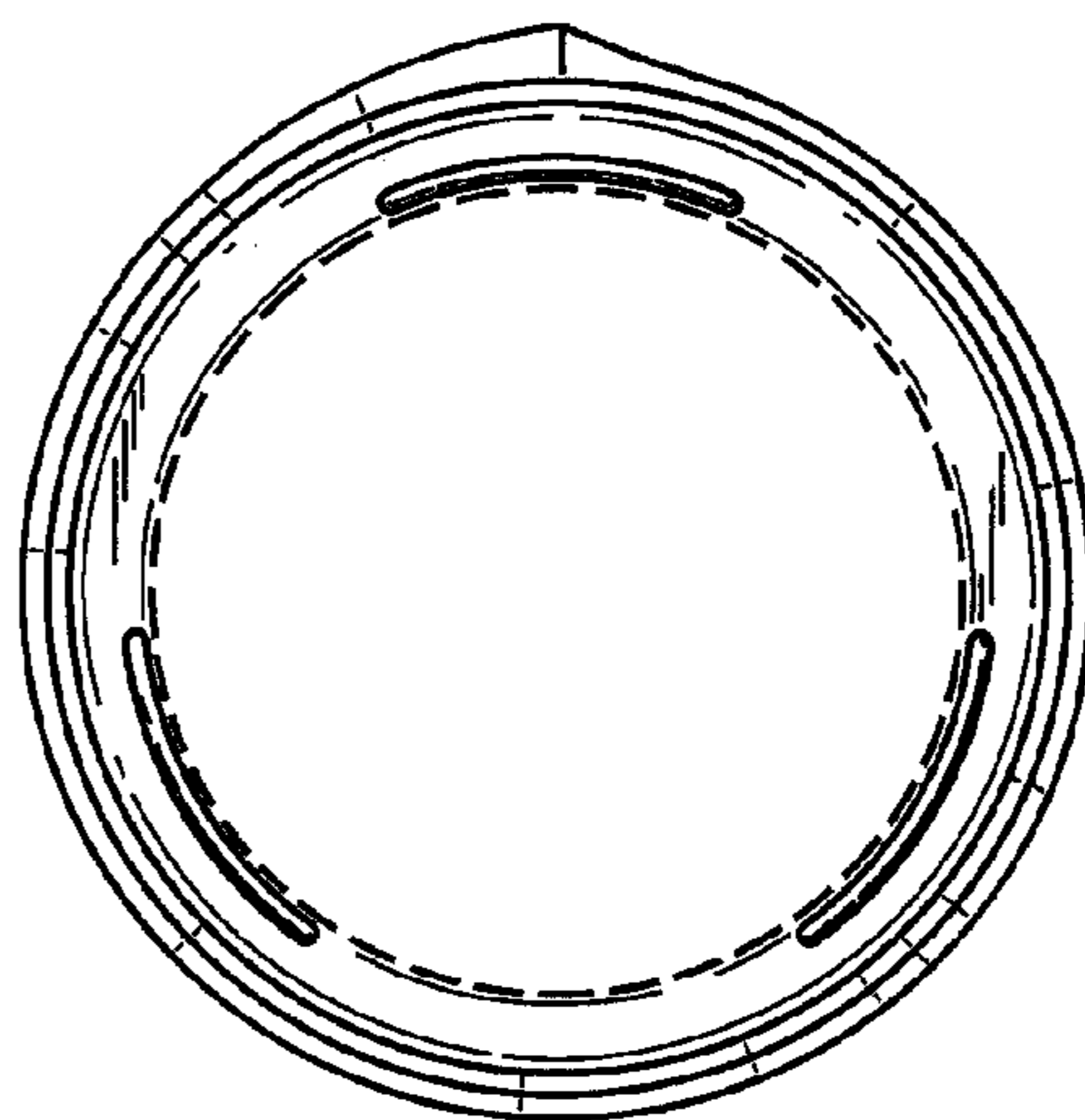


Fig.7.

UNITED STATES PATENT AND TRADEMARK OFFICE
CERTIFICATE OF CORRECTION

PATENT NO. : Des. 581,279 S
APPLICATION NO. : 29/293917
DATED : December 18, 2007
INVENTOR(S) : Benjamin Phalan Oates

Page 1 of 1

It is certified that error appears in the above-identified patent and that said Letters Patent is hereby corrected as shown below:

Title page, item [73] Assignee: should read as following: Conopco, Inc. d/b/a Unilever, Englewood Cliffs, NJ

Signed and Sealed this

Sixth Day of January, 2009

A handwritten signature in black ink that reads "Jon W. Dudas". The signature is written in a cursive style with a large, looped initial "J".

JON W. DUDAS

Director of the United States Patent and Trademark Office

UNITED STATES PATENT AND TRADEMARK OFFICE
CERTIFICATE OF CORRECTION

PATENT NO. : Des. 581,279 S
APPLICATION NO. : 29/293917
DATED : November 25, 2008
INVENTOR(S) : Benjamin Phalan Oates

Page 1 of 1

It is certified that error appears in the above-identified patent and that said Letters Patent is hereby corrected as shown below:

Title page, item [73] Assignee: should read as following: Conopco, Inc. d/b/a Unilever, Englewood Cliffs, NJ

This certificate supersedes the Certificate of Correction issued January 6, 2009.

Signed and Sealed this

Third Day of February, 2009



JOHN DOLL
Acting Director of the United States Patent and Trademark Office