



US00D581275S

(12) **United States Design Patent**
Adler et al.

(10) **Patent No.:** **US D581,275 S**
(45) **Date of Patent:** **** Nov. 25, 2008**

(54) **BOTTLE**

(75) Inventors: **Deborah B. Adler**, New York, NY (US);
Klaus Rosburg, New York, NY (US);
Patrick Douglas, Minneapolis, MN
(US); **Matthew S. Grisik**, Rosemount,
MN (US)

(73) Assignee: **Target Brands, Inc.**, Minneapolis, MN
(US)

(**) Term: **14 Years**

(21) Appl. No.: **29/296,974**

(22) Filed: **Oct. 31, 2007**

Related U.S. Application Data

(63) Continuation of application No. 29/277,823, filed on
Mar. 9, 2007, now Pat. No. Des. 572,593, and a con-
tinuation of application No. 29/221,974, filed on Jan.
25, 2005, now Pat. No. Des. 542,661.

(51) **LOC (8) Cl.** **09-01**

(52) **U.S. Cl.** **D9/516; D9/521**

(58) **Field of Classification Search** D9/516,
D9/521-522, 530, 541-543, 560, 569-570,
D9/572-575; 215/379, 381-384; 220/660,
220/662, 669-670, 674-675

See application file for complete search history.

(56) **References Cited**

U.S. PATENT DOCUMENTS

D11,149 S 4/1879 Hood

(Continued)

FOREIGN PATENT DOCUMENTS

DE 3723671 C2 8/1988

(Continued)

OTHER PUBLICATIONS

“Multi-Dose, Multi-Color, I.V. Bag Rings,” www.medidose.com/catalog/ivpharm/bagrings.html, publicly advertised online at least as early as Apr. 27, 2002 based on the internet archive available at www.archive.org (1 page).

(Continued)

Primary Examiner—Ian Simmons

Assistant Examiner—Dana L Sipos

(74) *Attorney, Agent, or Firm*—Faegre & Benson LLP

(57) **CLAIM**

The ornamental design for a bottle, as shown and described.

DESCRIPTION

FIG. 1 is a top, right side, and rear perspective view of a bottle of the present invention, with a label and a card insert removed for ease of illustration;

FIG. 2 is a rear elevational view thereof;

FIG. 3 is a front elevational view thereof;

FIG. 4 is a left side elevational view thereof;

FIG. 5 is a right side elevational view thereof;

FIG. 6 is a top plan view thereof;

FIG. 7 is a bottom plan view thereof;

FIG. 8 is a top, left side, and front perspective view of a second embodiment showing the bottle of FIG. 1 with a neck ring;

FIG. 9 is a rear elevational view thereof;

FIG. 10 is a top, right side, and rear perspective view of a third embodiment showing a label applied to the bottle of FIG. 1;

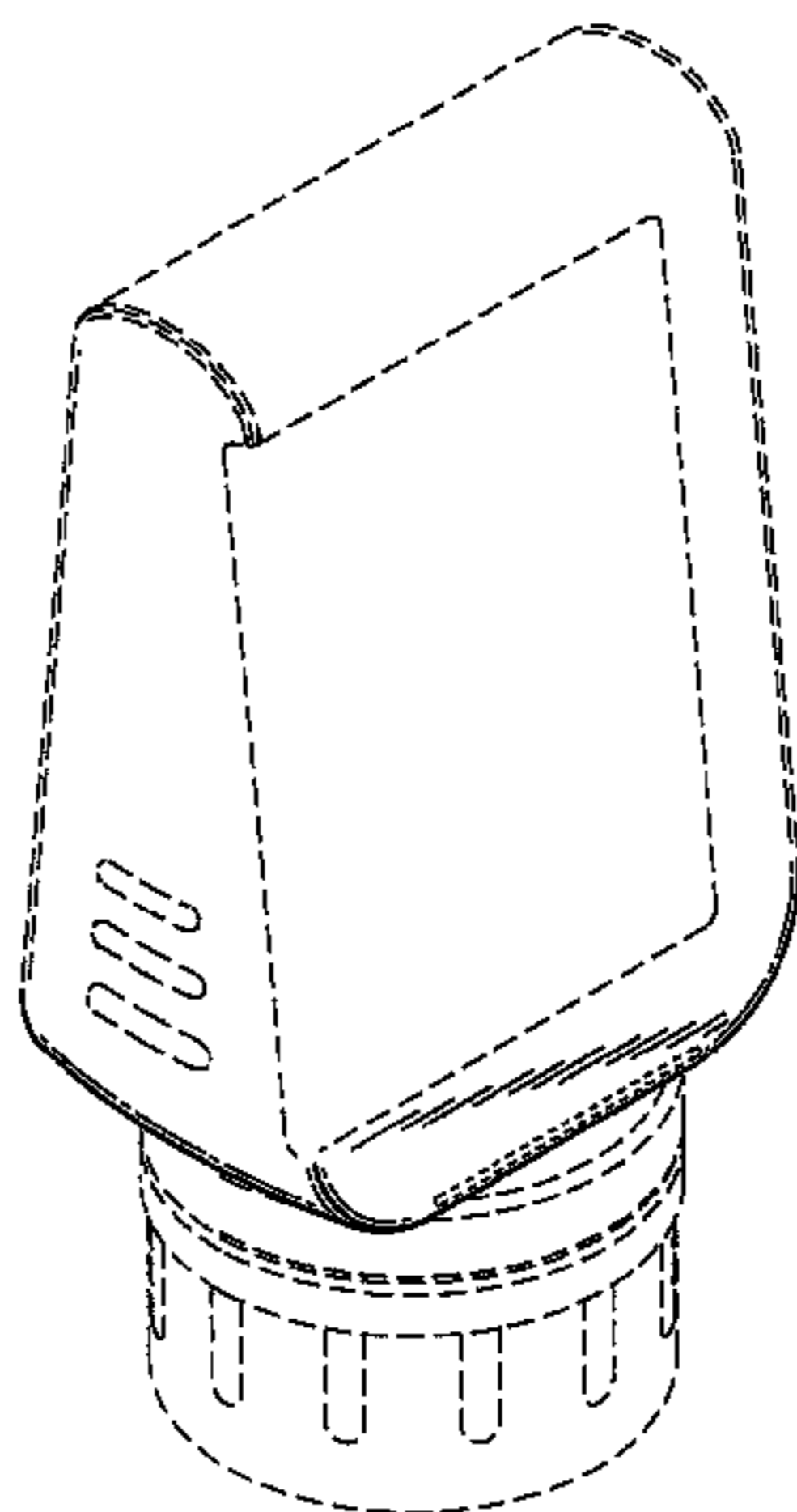
FIG. 11 is a front elevational view thereof;

FIG. 12 is a top, right side, and rear perspective view of a fourth embodiment showing a label applied to the bottle of FIG. 1 and an added card insert in broken lines; and,

FIG. 13 is a right side elevational view thereof.

The broken lines shown in the drawings are for illustrative purposes only and form no part of the claimed design.

1 Claim, 7 Drawing Sheets



US D581,275 S

Page 2

U.S. PATENT DOCUMENTS					
			4,991,877 A	2/1991	Lieberman
D18,997 S	4/1889	Underhill	5,011,032 A	4/1991	Rollman
406,017 A	6/1889	Woodward et al.	5,020,682 A	6/1991	Dutt
605,213 A	6/1898	Weller	D319,181 S	8/1991	Balavich
624,701 A	5/1899	Stevenson	D323,780 S	2/1992	Addante
716,793 A	12/1902	Vogeler	5,102,169 A	4/1992	Mayfield
D45,565 S	4/1914	Lloyd	5,145,080 A	9/1992	Imbery, Jr.
1,181,098 A	4/1916	Lambert	5,165,546 A	11/1992	Jaeger et al.
1,289,218 A	12/1918	Maiden	5,172,936 A	12/1992	Sullivan et al.
1,554,191 A	9/1925	Alexander	D333,618 S	3/1993	Patel et al.
1,653,608 A	12/1927	Allen	5,193,032 A	3/1993	Hirth
1,686,354 A	10/1928	Wallace	5,204,775 A	4/1993	McDevitt
1,769,147 A	7/1930	Lennon	5,261,702 A	11/1993	Mayfield
1,815,268 A	7/1931	Newbery	D342,452 S	12/1993	Monaghan
1,850,369 A	3/1932	Andrews	D343,360 S *	1/1994	Poo D9/521
2,007,685 A	7/1935	Lyle	5,284,363 A	2/1994	Gartner et al.
2,110,768 A	3/1938	Kellogg	5,301,802 A	4/1994	Nemeroff
D128,282 S	7/1941	Gelinas et al.	5,301,840 A *	4/1994	Sun 222/109
2,270,277 A	1/1942	Dowd	5,309,279 A	5/1994	Halstead
D132,185 S	4/1942	McIntosh	D350,691 S	9/1994	Simion
2,328,806 A	9/1943	Hooper	5,343,647 A	9/1994	Bulka
2,528,259 A	1/1950	Annunziata	5,346,069 A	9/1994	Intini
2,659,614 A	11/1953	Cook et al.	D351,796 S	10/1994	Deddens
2,844,893 A	7/1958	Keller	5,351,991 A	10/1994	McDonald
2,847,971 A	8/1958	Painter	D355,125 S	2/1995	Patel et al.
2,920,777 A	1/1960	Cole	D355,126 S	2/1995	Paulovich et al.
2,961,108 A	11/1960	Johnson	D355,363 S *	2/1995	Iorii et al. D9/521
3,256,978 A	6/1966	Srigley et al.	5,403,636 A	4/1995	Crum
3,331,521 A	7/1967	Paige	D360,134 S	7/1995	Snyder
3,423,861 A	1/1969	Forsyth	5,448,844 A	9/1995	Miller, Jr. et al.
3,433,378 A	3/1969	Ross	5,476,420 A	12/1995	Manning
3,437,194 A	4/1969	Ames et al.	D370,636 S	6/1996	Crawford
3,757,994 A	9/1973	Skoetsch	5,588,239 A	12/1996	Anderson
3,787,993 A	1/1974	Lyon	5,601,314 A	2/1997	Burns et al.
3,822,780 A	7/1974	Ulmer et al.	5,632,420 A *	5/1997	Lohrman et al. 222/212
3,826,222 A	7/1974	Romick	5,642,906 A	7/1997	Foote et al.
3,850,326 A	11/1974	Ryles	5,660,138 A	8/1997	Hirsch
3,923,180 A	12/1975	Fields	5,662,239 A	9/1997	Heuvelman
3,996,879 A	12/1976	Walton	D389,064 S	1/1998	Sethi et al.
4,022,352 A	5/1977	Pehr	5,704,144 A	1/1998	Groth
4,044,889 A	8/1977	Orentreich et al.	5,704,648 A	1/1998	Brown et al.
4,064,645 A	12/1977	Wood	5,713,681 A	2/1998	Venne et al.
RE29,793 E	10/1978	Pehr	5,718,347 A	2/1998	Walker et al.
4,143,786 A	3/1979	Goldberg et al.	5,719,828 A	2/1998	Haas et al.
4,150,760 A	4/1979	d'Orgelys	5,729,922 A	3/1998	Peterson et al.
D255,054 S	5/1980	Kingsford	5,730,292 A	3/1998	Jones
4,246,709 A	1/1981	Selleslags	5,758,440 A	6/1998	Yudin
4,263,734 A	4/1981	Bradshaw	5,760,975 A	6/1998	DiGiovanni
4,284,200 A	8/1981	Bush et al.	D395,828 S	7/1998	Lecoule
4,334,638 A	6/1982	Stock	5,779,072 A	7/1998	Krebs
D270,998 S	10/1983	Stark	5,788,974 A	8/1998	D'Amico et al.
D274,309 S	6/1984	Aldrich	5,799,815 A	9/1998	Lang
4,535,903 A	8/1985	Franchi	5,800,144 A	9/1998	Glenn et al.
D280,601 S	9/1985	Biesecker	5,829,789 A	11/1998	Treleaven et al.
D282,909 S	3/1986	Biesecker	5,887,736 A	3/1999	Mar
D285,535 S	9/1986	Buchholz et al.	5,918,758 A	7/1999	Galton-Fenzi
4,732,411 A	3/1988	Siegel	D413,067 S	8/1999	Haley
D295,954 S *	5/1988	Kirchhoff D9/521	5,980,352 A	11/1999	Rigberg
4,799,712 A	1/1989	Biava et al.	6,003,902 A	12/1999	Petkovsek
D300,119 S	3/1989	Pacquin	D419,077 S	1/2000	Sultan
4,813,570 A	3/1989	Pontoppidan	6,023,865 A	2/2000	Preuss
4,863,026 A	9/1989	Perkowski	D425,427 S *	5/2000	Heeter et al. D9/521
4,868,027 A	9/1989	Hunkeler et al.	6,068,300 A	5/2000	Vijuk et al.
4,881,648 A	11/1989	Hagerty	D427,073 S	6/2000	Gaffney et al.
4,883,180 A	11/1989	Humphrey et al.	6,081,392 A	6/2000	Pensmith
4,890,742 A	1/1990	Allison	6,086,702 A	7/2000	Rea
4,913,083 A	4/1990	Valvo et al.	6,158,779 A	12/2000	Petrick et al.
4,918,604 A	4/1990	Baum	6,196,593 B1	3/2001	Petrick et al.
4,919,285 A	4/1990	Roof et al.	6,209,921 B1	4/2001	Hogan et al.
4,941,573 A	7/1990	Fuerstman	6,220,439 B1	4/2001	Virvo
4,972,657 A	11/1990	McKee	6,226,564 B1	5/2001	Stuart
D312,776 S *	12/1990	Tacconelli D9/521	6,241,844 B1	6/2001	Petkovsek
			D445,338 S	7/2001	Helleu

US D581,275 S

Page 3

6,270,121 B1 8/2001 Dolan et al.
 6,278,545 B1 8/2001 Napier
 D447,694 S * 9/2001 Leggett D9/521
 D451,809 S * 12/2001 Jones D9/521
 6,360,462 B1 3/2002 Mengel
 D456,271 S 4/2002 Maloney
 6,366,401 B1 4/2002 Gonda et al.
 6,367,639 B1 4/2002 Mar
 6,367,640 B1 4/2002 Julian
 D457,063 S * 5/2002 Bakic D9/521
 6,386,367 B1 5/2002 Bayliss, IV
 6,402,872 B1 6/2002 Key
 6,491,164 B1 12/2002 Virvo
 D470,415 S 2/2003 Weber
 6,549,345 B1 4/2003 Cardarelli
 D474,690 S * 5/2003 Bakic D9/521
 6,568,530 B2 5/2003 Takahashi et al.
 6,594,928 B1 7/2003 Clawson et al.
 D480,002 S 9/2003 Canepa
 D480,005 S 9/2003 Conway
 6,621,629 B2 9/2003 Blumenthal et al.
 D480,960 S 10/2003 Gray et al.
 D481,165 S * 10/2003 Angeletta D28/7
 6,669,804 B2 12/2003 Pendry et al.
 D485,764 S * 1/2004 Bakic D9/521
 6,681,945 B1 1/2004 Harrold
 6,712,398 B1 3/2004 Fox et al.
 6,722,495 B2 4/2004 Fresnel
 6,745,505 B2 6/2004 Moran
 D497,311 S 10/2004 Walsh et al.
 6,860,390 B2 3/2005 Bowman
 6,860,513 B2 3/2005 Kaufman
 6,964,345 B2 11/2005 Wetherell, Jr. et al.
 D520,365 S 5/2006 Andoh
 D526,569 S 8/2006 Wurster et al.
 D537,349 S * 2/2007 Ball et al. D9/521
 D539,651 S 4/2007 Snyder
 D540,179 S 4/2007 Adler
 D540,690 S 4/2007 Adler
 D541,159 S 4/2007 Robinson
 D542,661 S 5/2007 Adler
 7,225,937 B2 6/2007 Schroeder
 D554,999 S * 11/2007 Nukuto et al. D9/521
 D559,117 S * 1/2008 Nukuto et al. D9/564
 D566,330 S * 4/2008 Angeletta D28/7
 2001/0017817 A1 8/2001 De La Huerga
 2001/0054817 A1 12/2001 Kelley et al.
 2002/0020088 A1 2/2002 Kreutner
 2002/0041091 A1 4/2002 Eippert
 2002/0063739 A1 5/2002 Gosden et al.
 2002/0088732 A1 7/2002 Takahashi et al.
 2002/0129758 A1 9/2002 Hanley et al.
 2002/0162261 A1 11/2002 West et al.
 2002/0171238 A1 11/2002 Kozlowski et al.

2003/0025320 A1 2/2003 Shoemaker
 2003/0028392 A1 2/2003 Davies
 2003/0091687 A1 5/2003 Copelan
 2003/0127351 A1 7/2003 Takahashi et al.
 2003/0192211 A1 10/2003 Elias
 2003/0193185 A1 10/2003 Valley et al.
 2003/0205897 A1 11/2003 Kaufman
 2003/0214129 A1 11/2003 Adler
 2004/0045863 A1 3/2004 Rhoades
 2004/0050750 A1 3/2004 Hannan et al.
 2004/0056479 A1 3/2004 Fox et al.
 2004/0075272 A1 4/2004 Kaufman
 2004/0193454 A1 9/2004 Foote et al.
 2006/0163103 A1 7/2006 Adler
 2006/0163110 A1 7/2006 Adler
 2006/0163869 A1 7/2006 Adler
 2007/0029788 A1 2/2007 Adler

FOREIGN PATENT DOCUMENTS

EP	0 316 636	5/1989
EP	0146095 B1	8/1989
EP	0609955 B1	4/1998
EP	0609954 B1	7/1998
EP	0924676 A2	6/1999
GB	2 006 713 A	5/1979
WO	WO03/098275	11/2003
WO	2004/048216 A1	6/2004

OTHER PUBLICATIONS

Adler et al., "Bottle System", U.S. Appl. No. 29/221,974, filed Jan. 25, 2005.
 U.S. Appl. No. 29/277,823, filed Mar. 9, 2007.
 Adler et al., "Bottle", U.S. Appl. No. 29/277,825, filed Mar. 9, 2007.
 U.S. Appl. No. 29/278,568, filed Apr. 2, 2007.
 U.S. Appl. No. 29/278,438, filed Mar. 29, 2007.
 U.S. Appl. No. 11/862,503, filed Sep. 27, 2007.
 Adler et al., "Pharmacy Bottle System", U.S. Appl. No. 11/042,849, filed Jan. 25, 2005.
 Adler et al., "Bottle System", U.S. Appl. No. 29/221,984, filed Jan. 25, 2005.
 Adler et al., "Bottle System", U.S. Appl. No. 29/222,067, filed Jan. 25, 2005.
 Adler et al., "Pharmacy Bottle System", U.S. Appl. No. 11/042,907, filed Jan. 25, 2005.
 Adler et al., "Pharmacy Label System", U.S. Appl. No. 11/042,739, filed Jan. 25, 2005.
 Adler, "Medication Packaging and Labeling System", U.S. Appl. No. 10/437,474, filed May 14, 2003.
 Adler, "Medication Packaging and Labeling System", U.S. Appl. No. 11/477,286, filed Jun. 28, 2006.
 International Search Report from International Application No. PCT/US2005/019401, mailed Jan. 18, 2006 (8 pages).

* cited by examiner

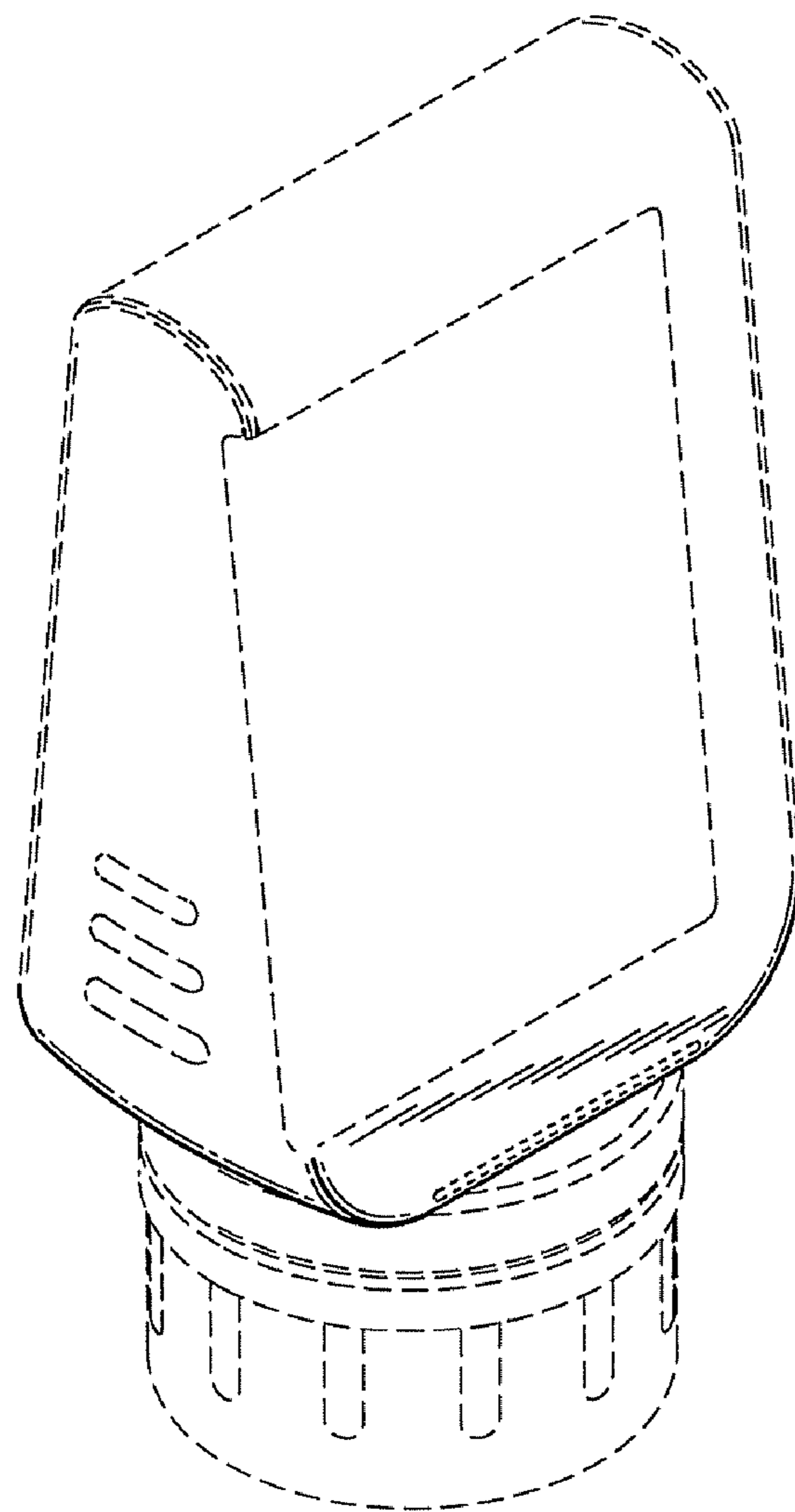


Fig. 1

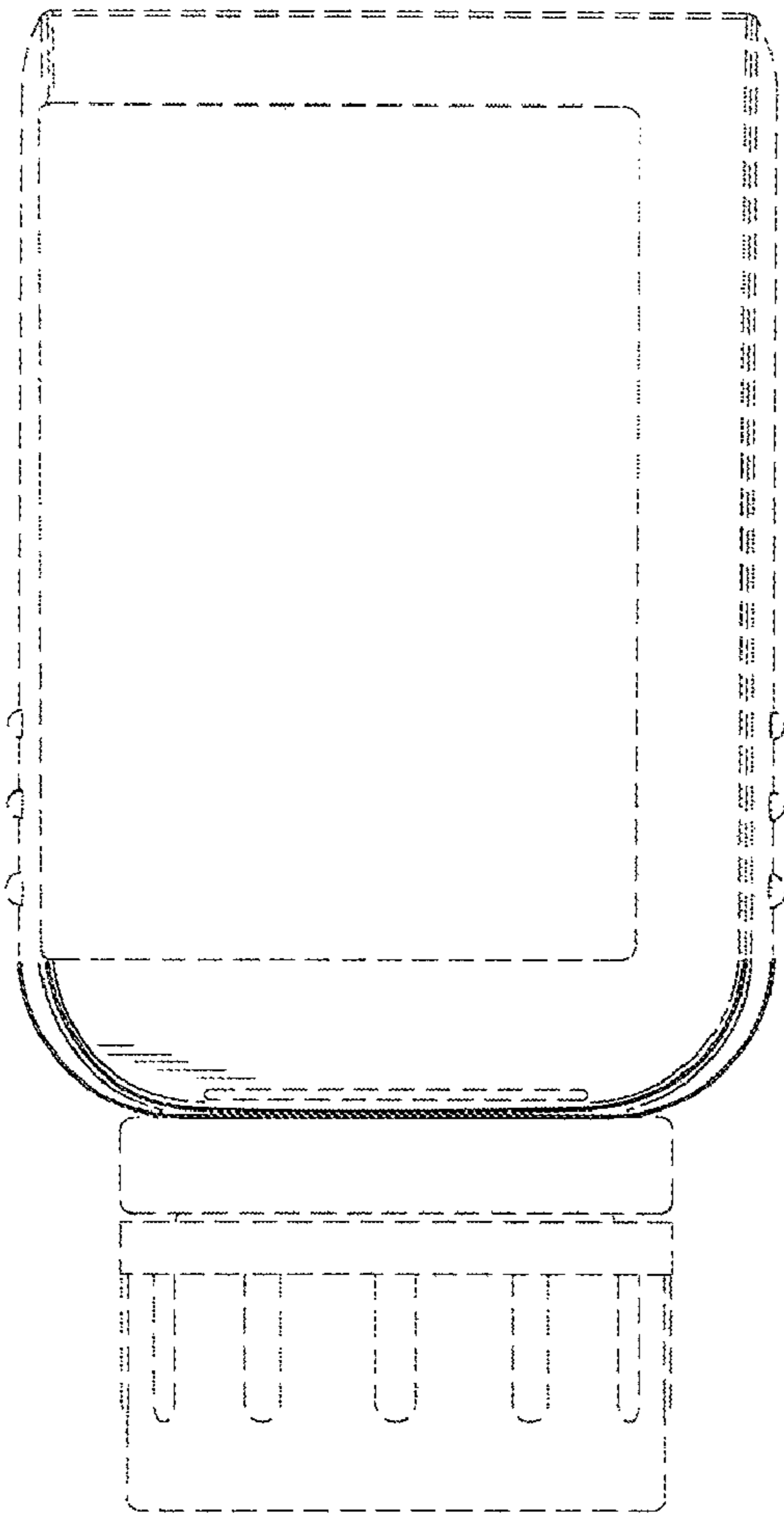


Fig. 2

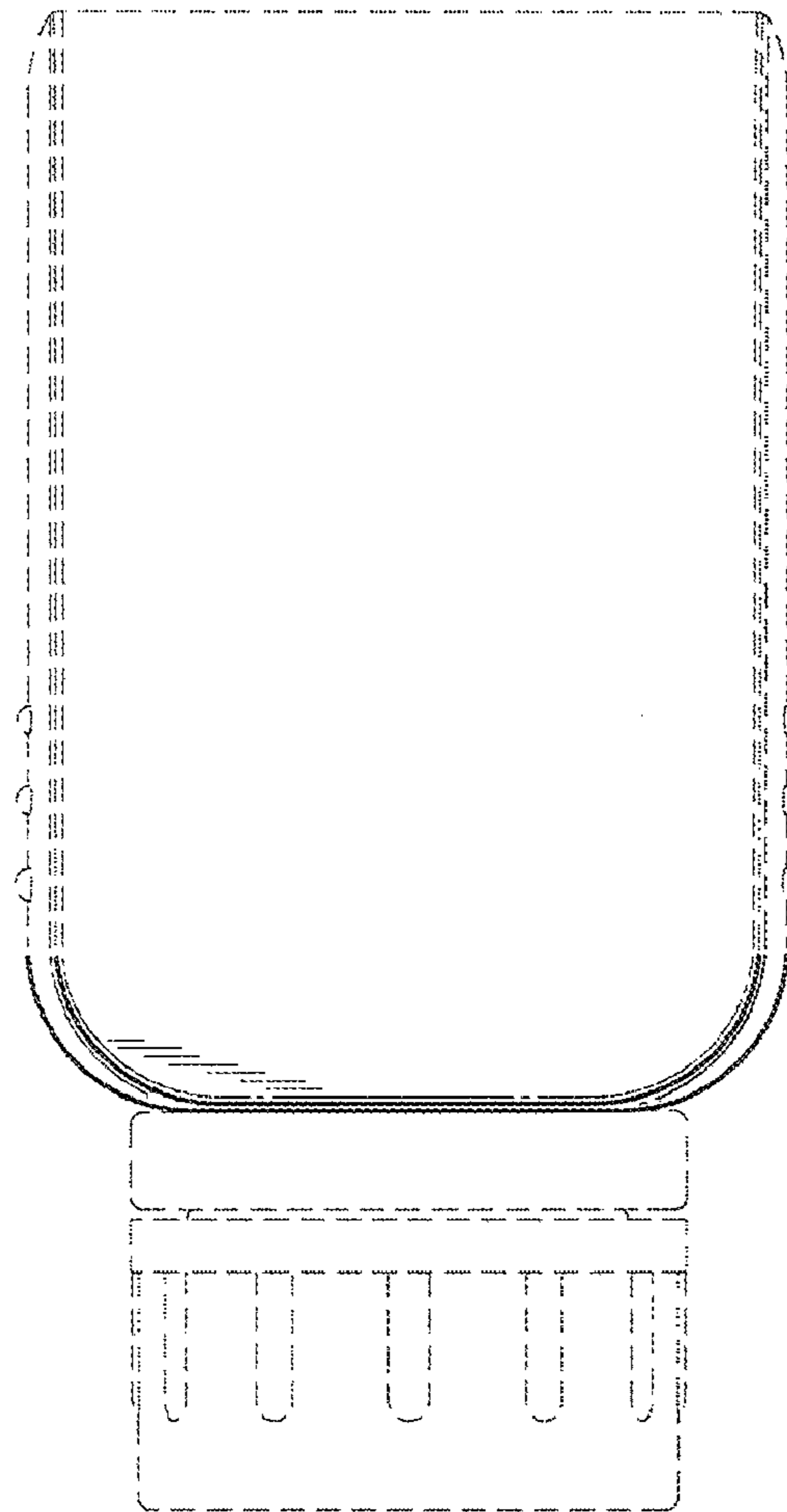


Fig. 3

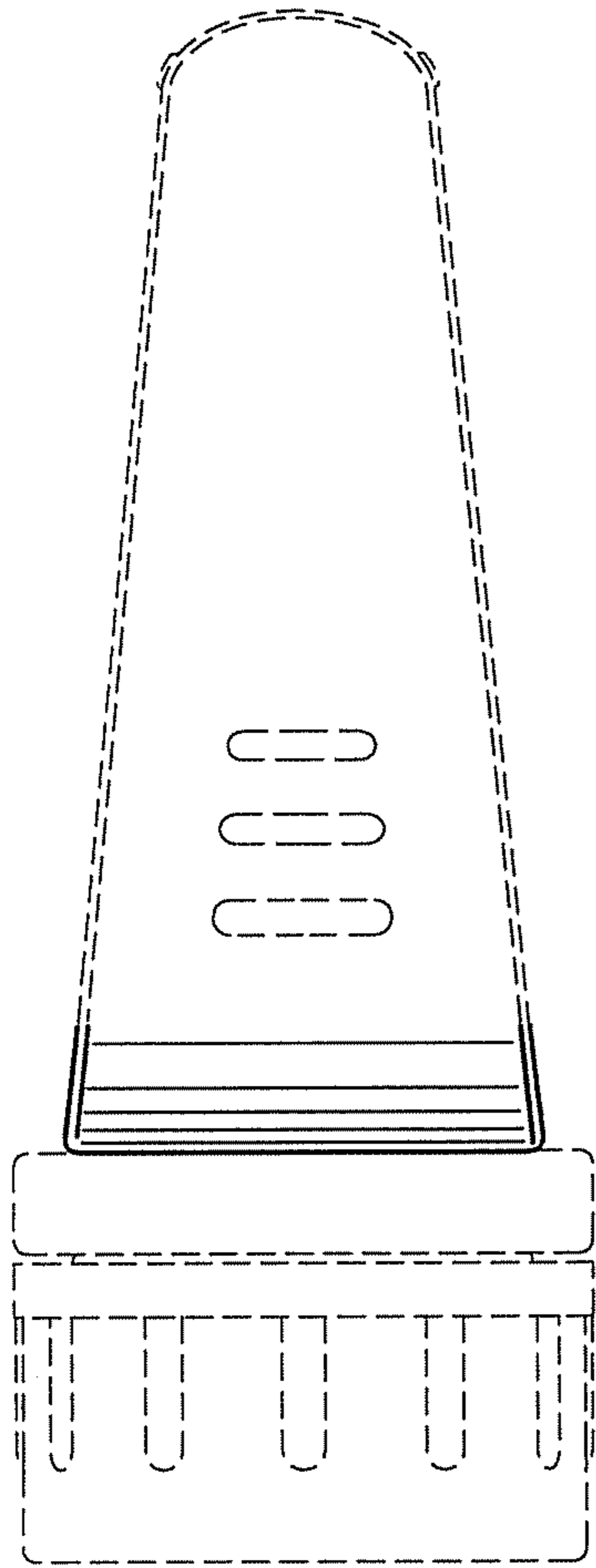


Fig. 4

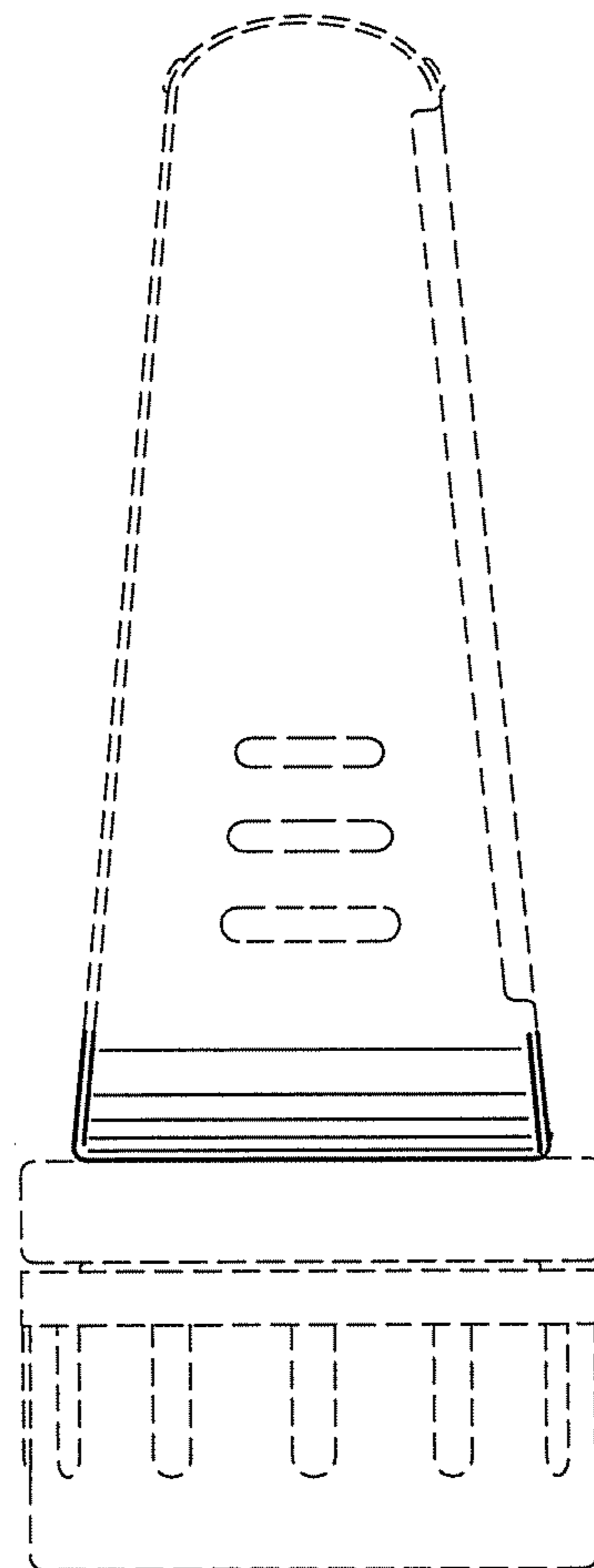


Fig. 5

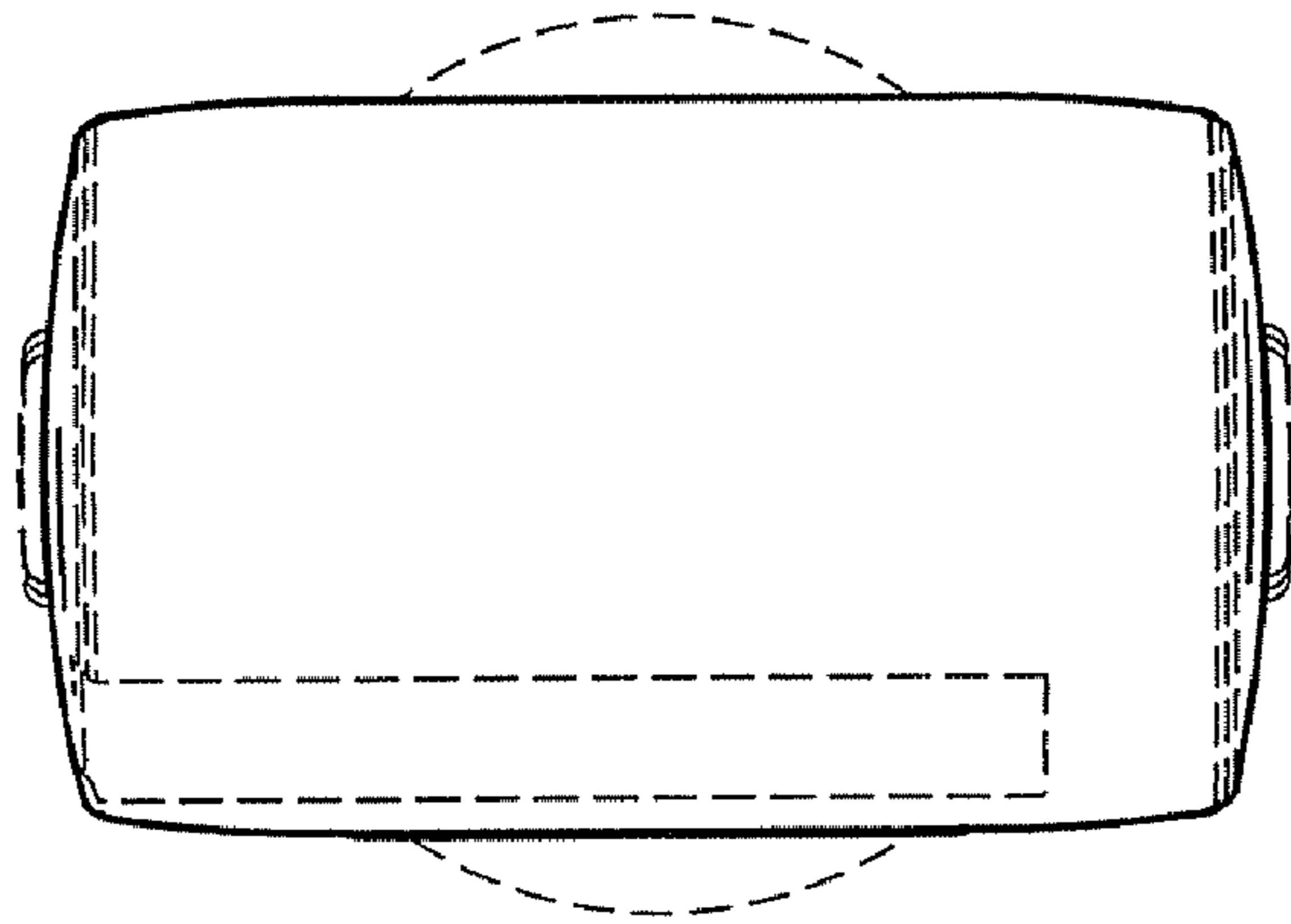


Fig. 6

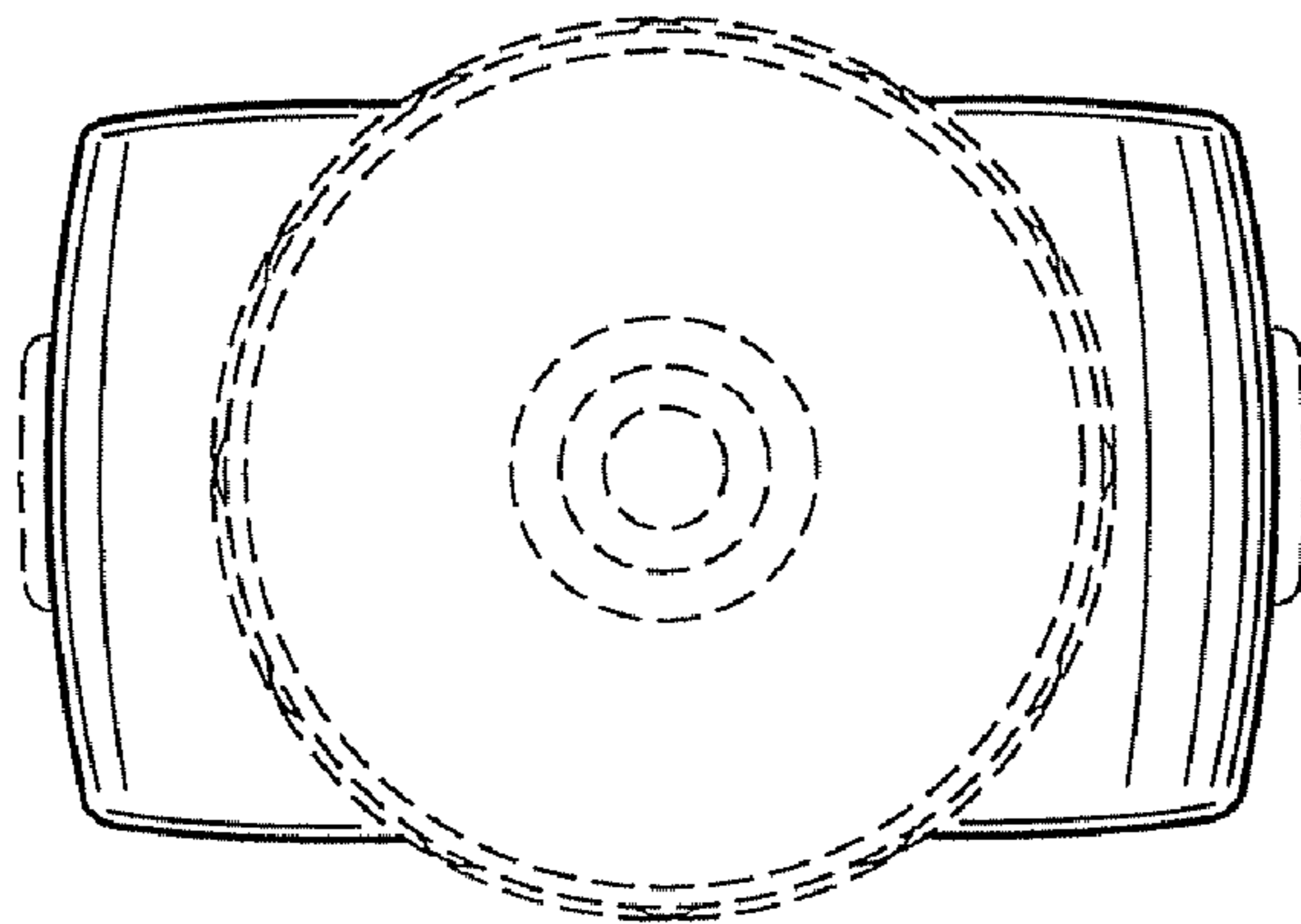


Fig. 7

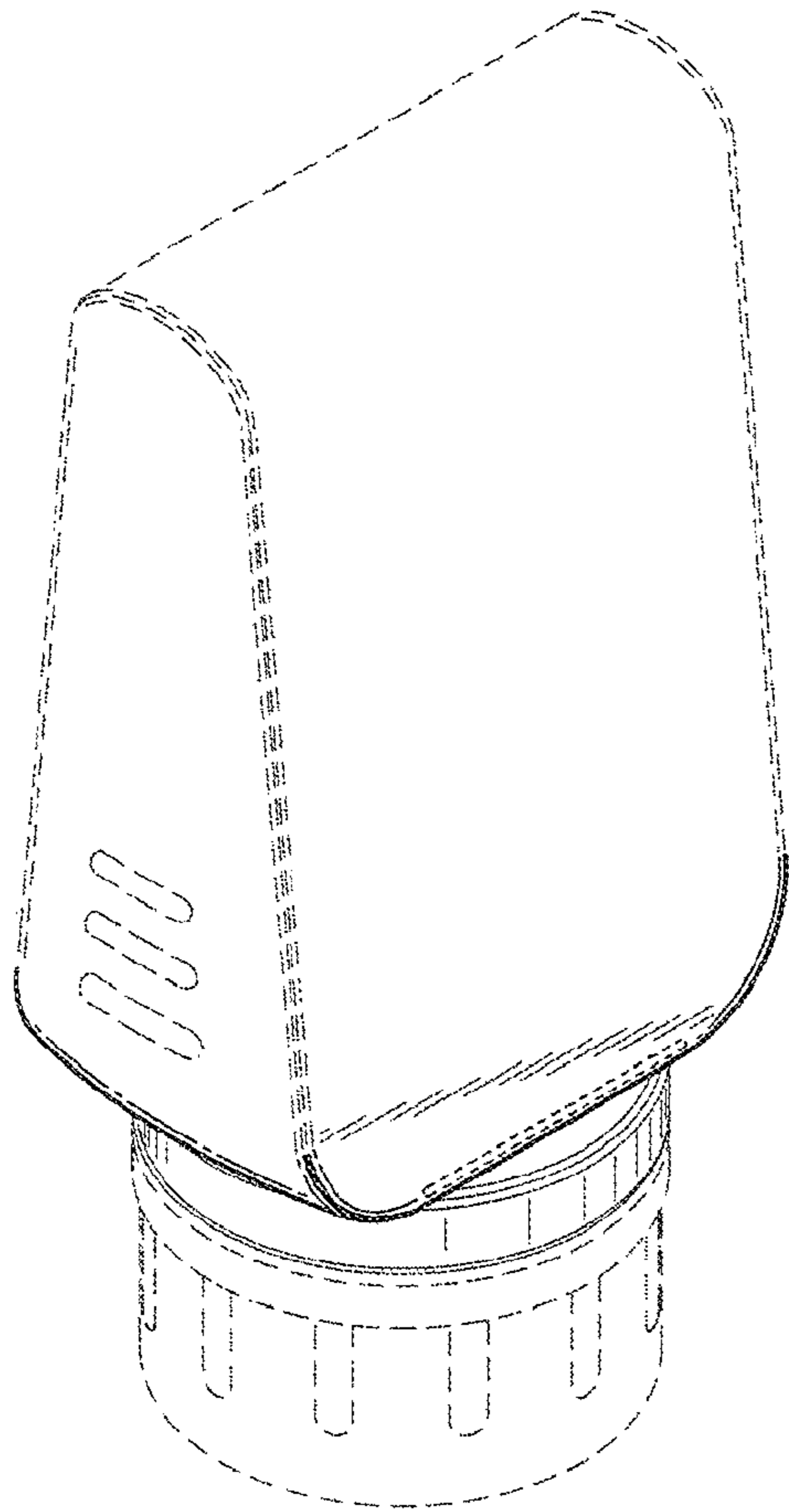


Fig. 8

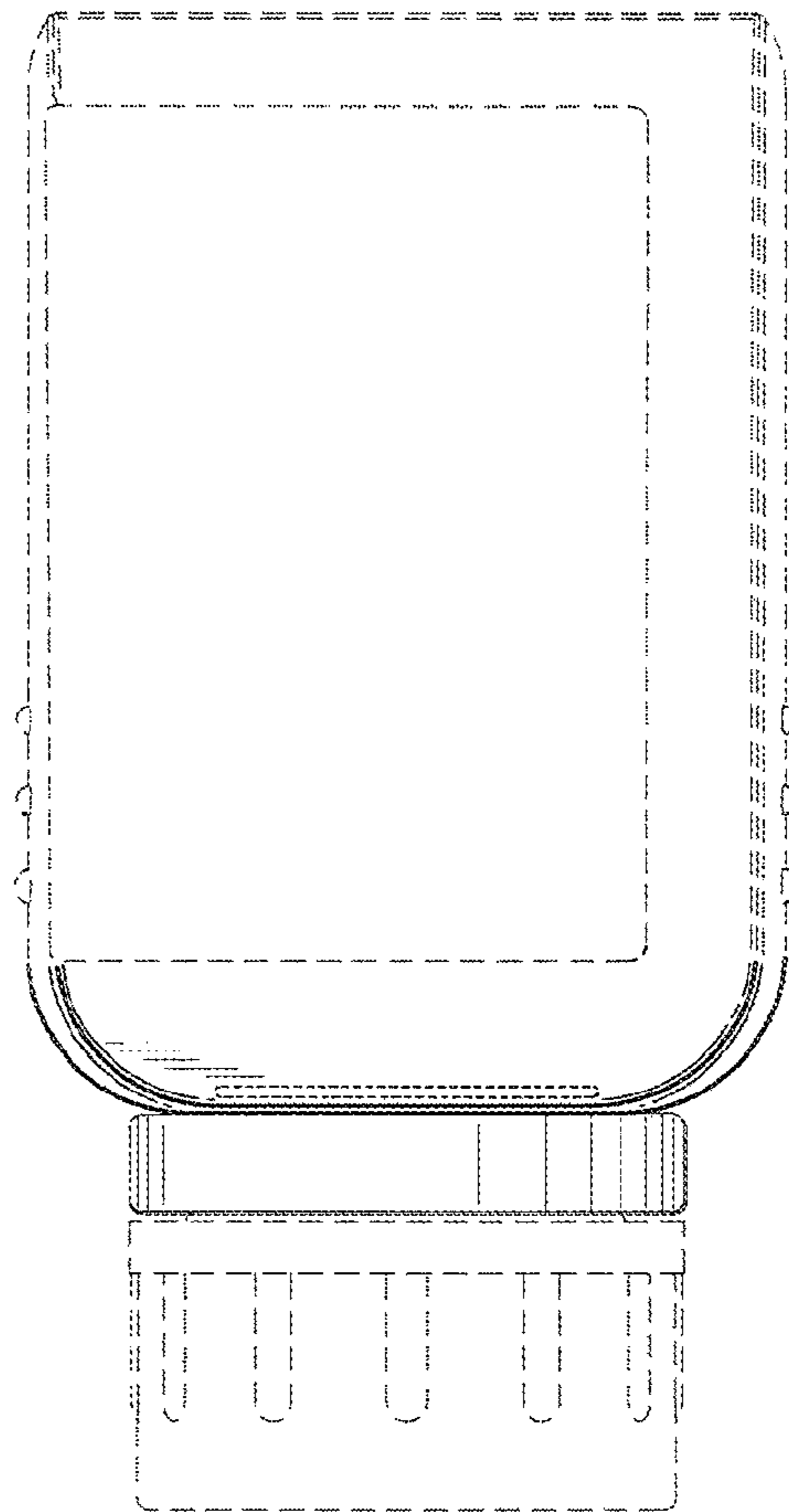


Fig. 9

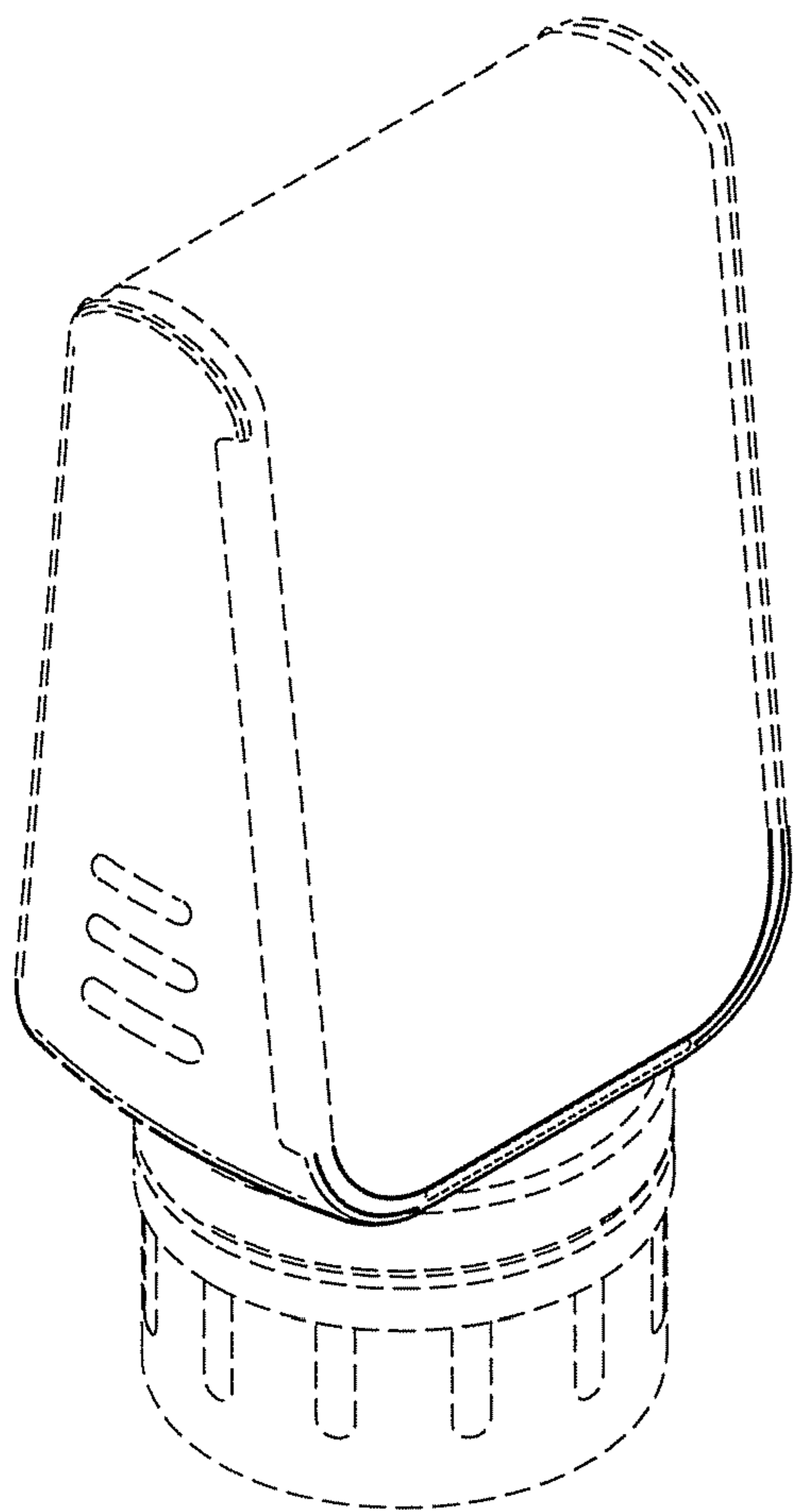


Fig. 10

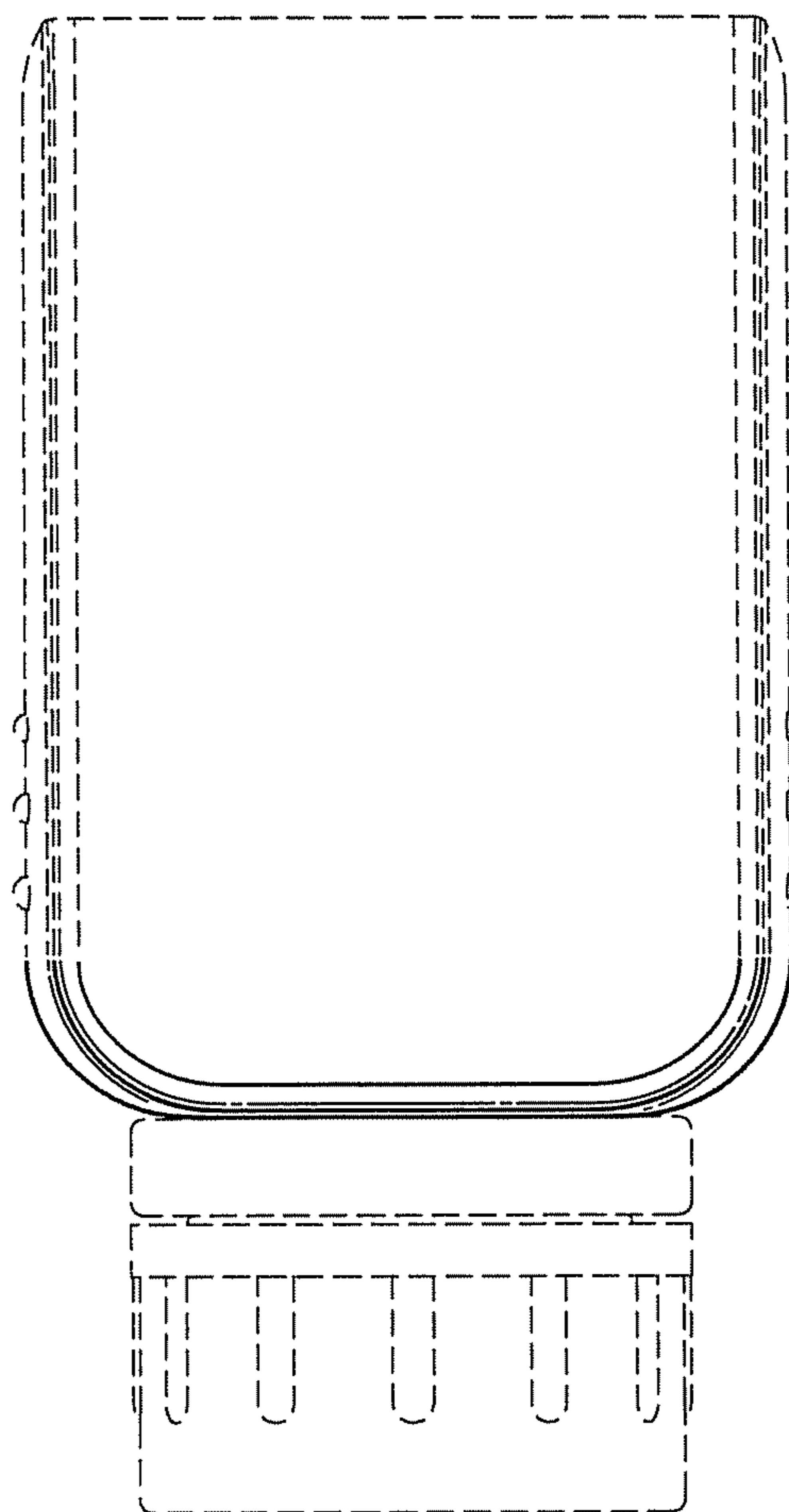


Fig. 11

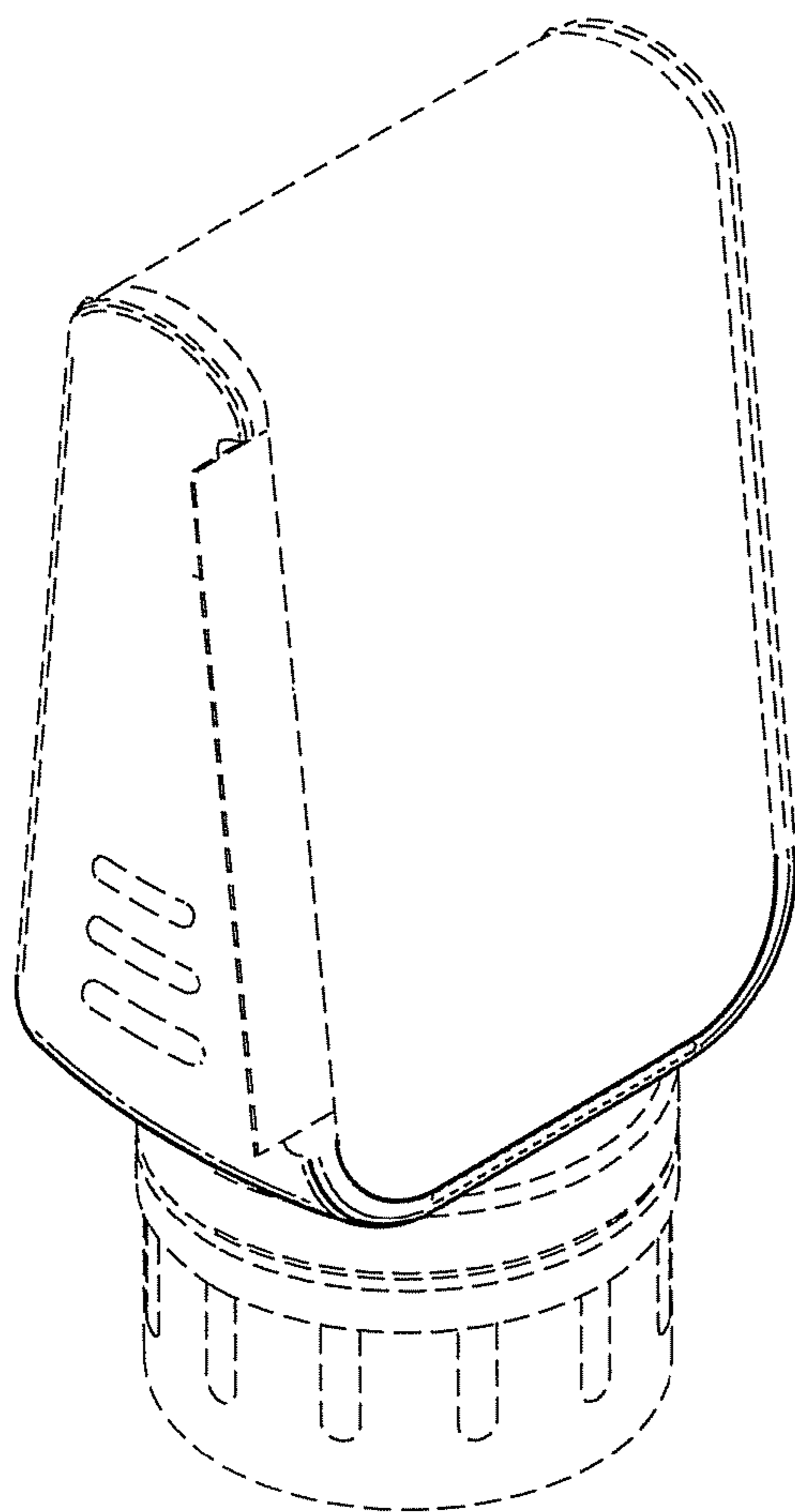


Fig. 12

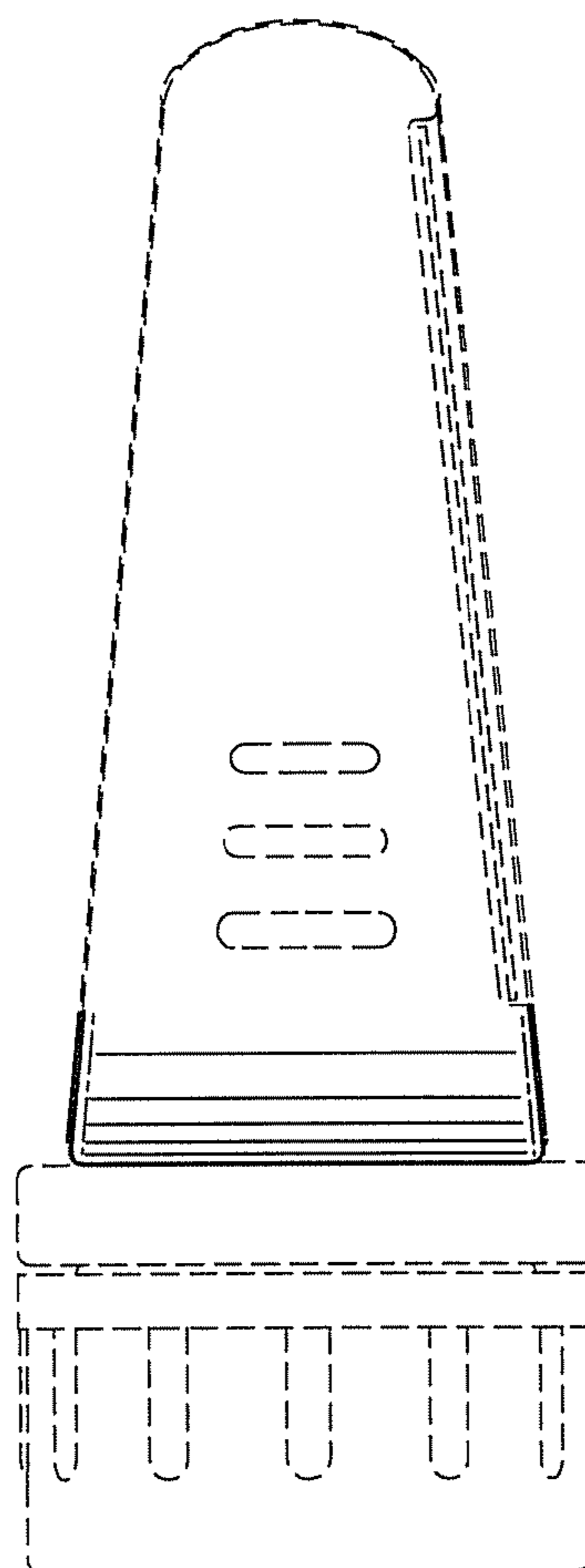


Fig. 13