



US00D581271S

(12) **United States Design Patent**  
**Laupie**

(10) **Patent No.:** **US D581,271 S**  
(45) **Date of Patent:** **\*\* Nov. 25, 2008**

(54) **STACKABLE BOTTLE**

(75) Inventor: **Marc Laupie**, Nomexy (FR)

(73) Assignee: **Societe des Produits Nestle S.A.**, Vevey (CH)

(\*\*) Term: **14 Years**

(21) Appl. No.: **29/279,418**

(22) Filed: **Apr. 30, 2007**

(51) **LOC (8) Cl.** ..... **09-01**

(52) **U.S. Cl.** ..... **D9/500; D9/520; D9/745**

(58) **Field of Classification Search** ..... D9/500-504, D9/516, 520, 549-550, 557, 682, 684-686, D9/688-689, 692, 694, 743-746, 560, 570; 215/379-385; 220/660-662, 669-673, 675  
See application file for complete search history.

(56) **References Cited**

**U.S. PATENT DOCUMENTS**

769,615	A *	9/1904	Kosansvich	.....	215/10
D110,624	S *	7/1938	Meekeel	.....	D9/520
2,960,248	A *	11/1960	Kuhlman	.....	215/10
5,211,299	A *	5/1993	Manfredonia	.....	215/11.1
D386,949	S *	12/1997	McArdle	.....	D7/590
5,887,740	A *	3/1999	Hong	.....	220/4.27
D408,738	S *	4/1999	Wu	.....	D9/503
5,927,499	A *	7/1999	Vesborg	.....	206/509
D422,906	S *	4/2000	Mellish	.....	D9/745
D448,247	S *	9/2001	Hong	.....	D7/591
D483,265	S *	12/2003	Maffei	.....	D9/500
D487,697	S *	3/2004	Rosen	.....	D9/745

D515,940 S \* 2/2006 Kratko ..... D9/745

**FOREIGN PATENT DOCUMENTS**

JP 2006-024828 9/2006

**OTHER PUBLICATIONS**

Swiss Design Registration No. 131930 filed Jul. 13, 2005.  
U.S. Appl. No. 29/251,897, filed Jan. 13, 2006. Includes FIG. 4 replacement drawing filed Dec. 6, 2006.

\* cited by examiner

*Primary Examiner*—Ian Simmons

*Assistant Examiner*—Dana L Sipos

(74) *Attorney, Agent, or Firm*—Bell, Boyd & Lloyd LLP

(57) **CLAIM**

I claim the ornamental design for a stackable bottle, as shown and described.

**DESCRIPTION**

FIG. 1 is a top, front perspective view of a stackable bottle showing my new design;

FIG. 2 is a front elevation view thereof, the rear elevation view being identical;

FIG. 3 is a top plan view thereof;

FIG. 4 is a bottom plan view thereof; and,

FIG. 5 is a cross section view taken along the line V—V of the FIG. 2 drawing view.

The broken lines shown in the drawings are for illustrative purposes only and form no part of the claimed design.

**1 Claim, 3 Drawing Sheets**

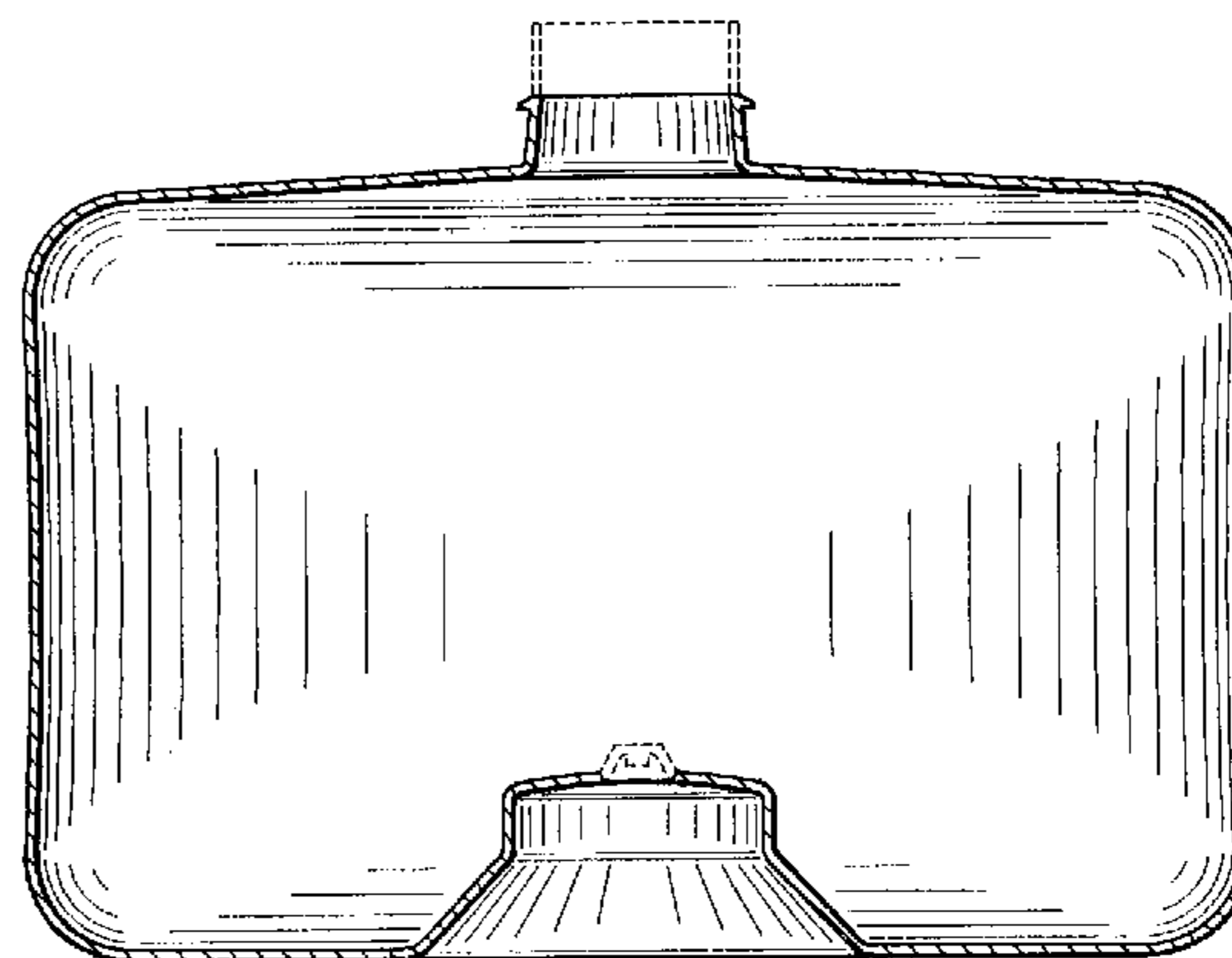
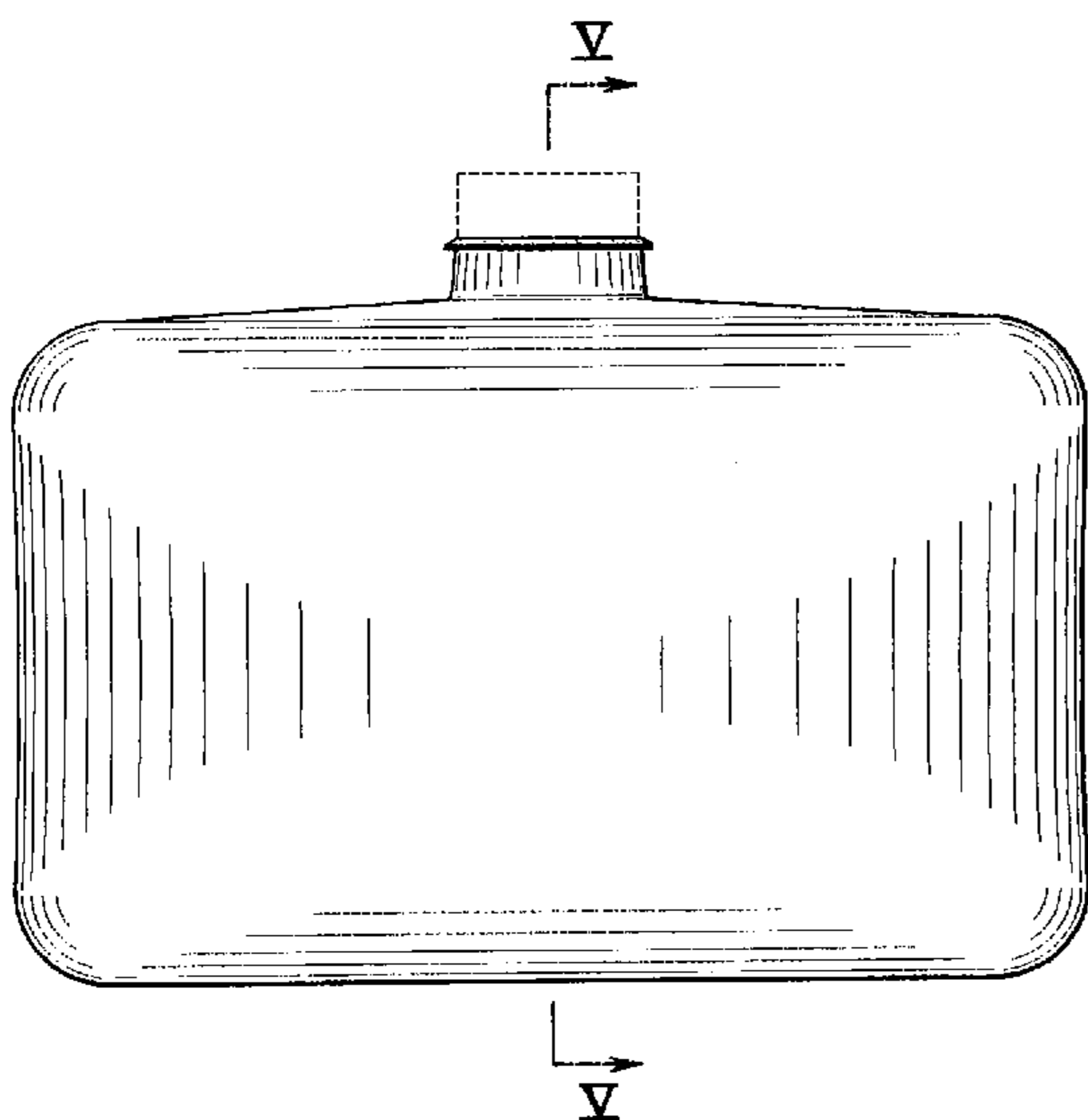


FIG.1

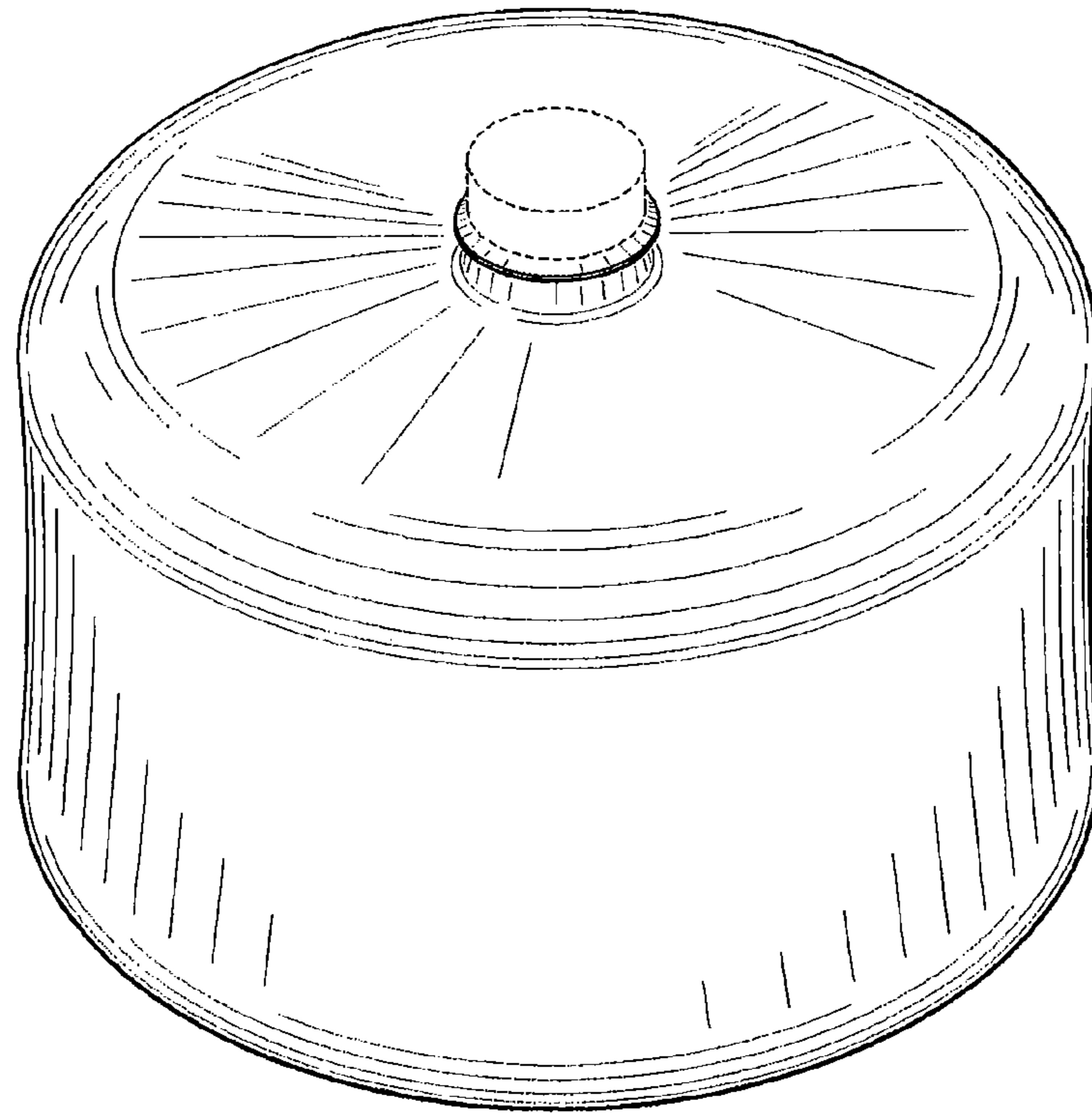
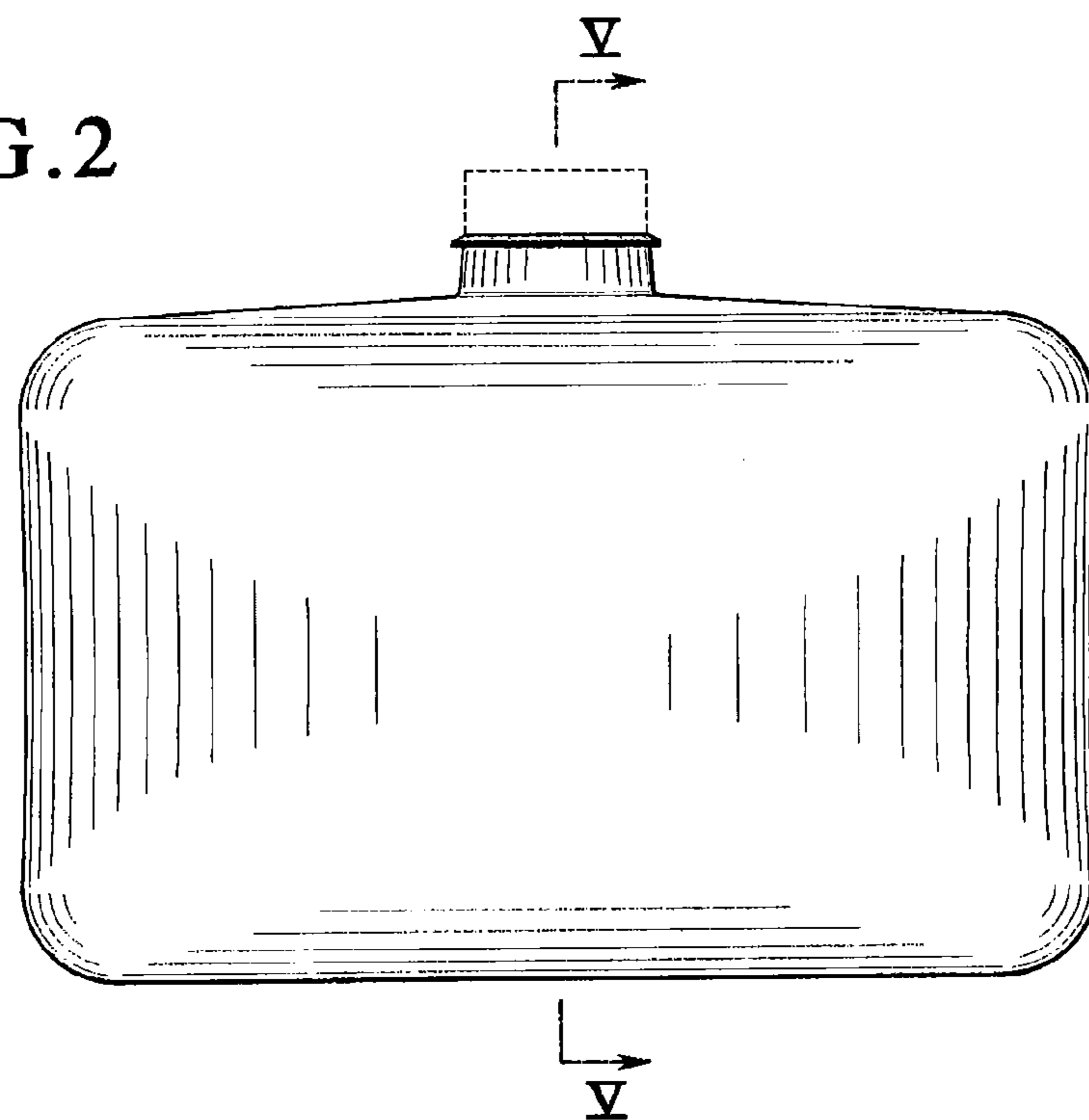
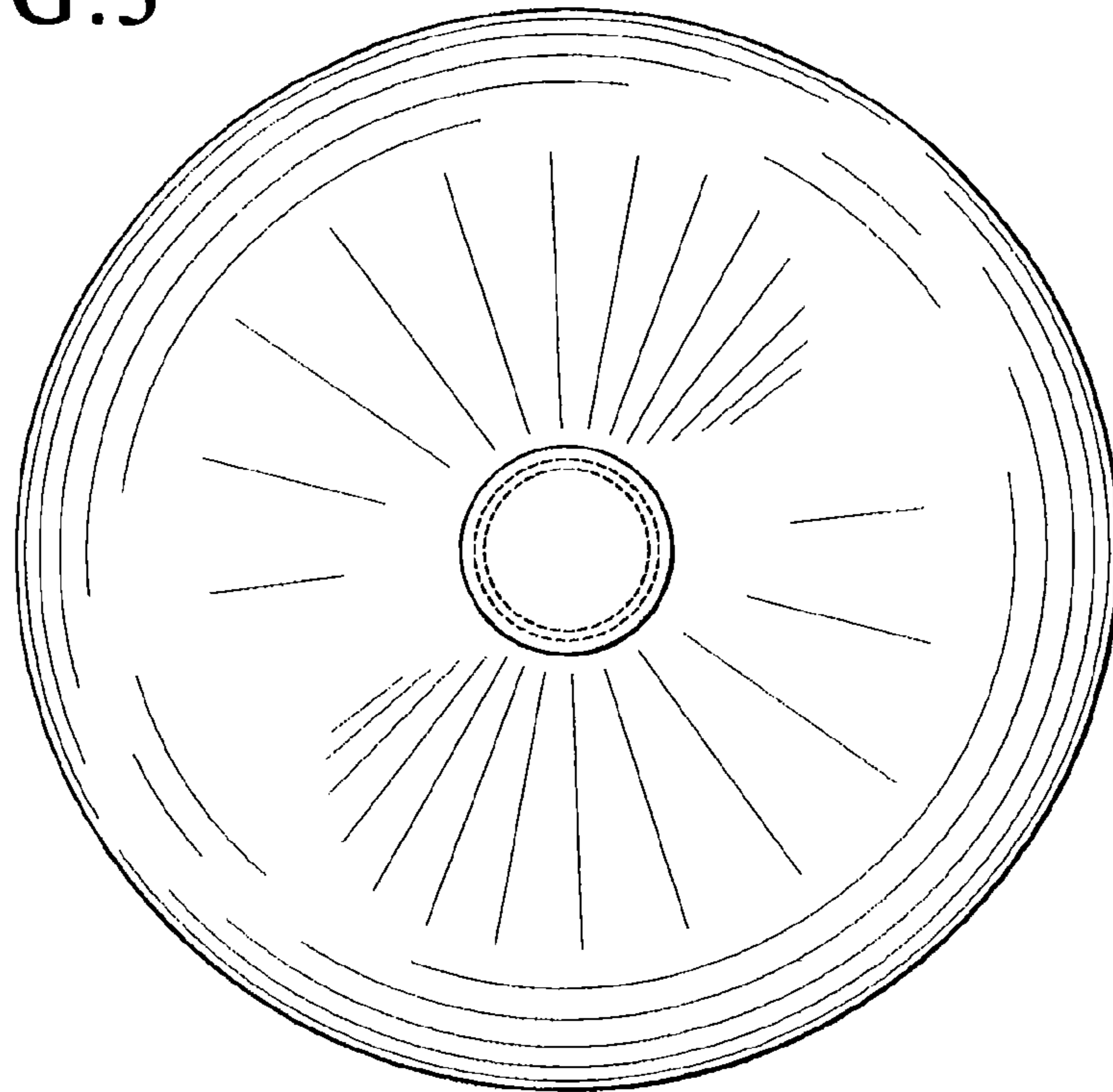


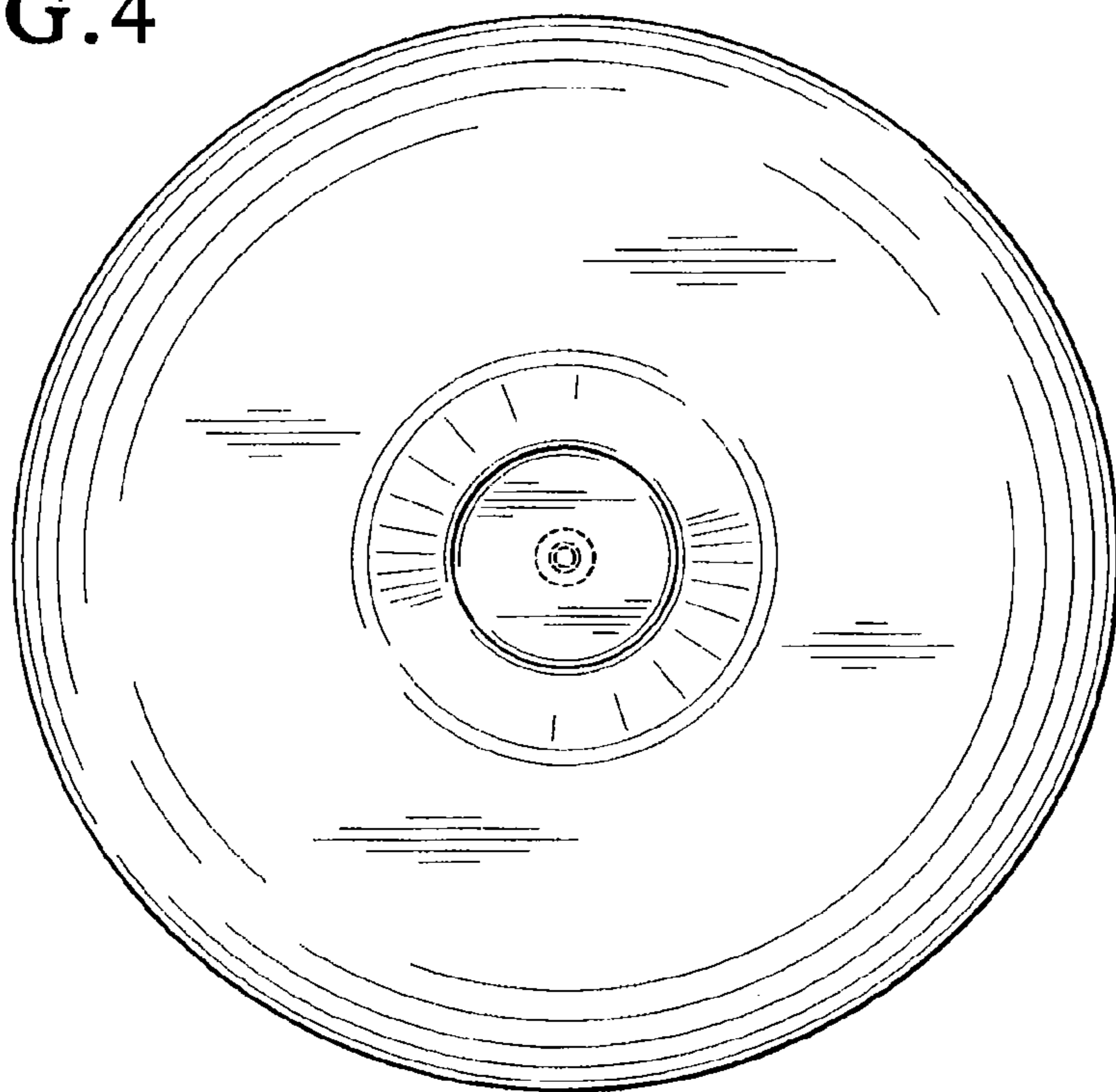
FIG.2



**FIG.3**



**FIG.4**



**FIG. 5**

