



US00D581265S

(12) **United States Design Patent**
Rochel

(10) **Patent No.:** **US D581,265 S**

(45) **Date of Patent:** **** Nov. 25, 2008**

(54) **BOX WITH WINDOW**

(76) Inventor: **Michel Rochel**, 535 Promontory Dr.
East, Newport Beach, CA (US) 92660

(**) Term: **14 Years**

(21) Appl. No.: **29/286,987**

(22) Filed: **May 25, 2007**

(51) **LOC (8) Cl.** **09-03**

(52) **U.S. Cl.** **D9/418**

(58) **Field of Classification Search** D9/414-416,
D9/418, 420, 424-432, 433, 443, 527-530,
D9/704, 730-734, 751-757; D7/354, 360,
D7/505, 540-545, 554, 565-567, 570, 574,
D7/584-586, 590, 604, 629, 667; D30/123,
D30/129-133; 426/115, 122, 394; 206/162,
206/170, 216, 469, 471, 494, 497, 508, 536,
206/557, 804, 815; 220/4.21-4.22, 266,
220/350, 470, 471, 495.01, 557, 574, 618,
220/793; 229/117.14, 117.18, 122, 123.1,
229/125.35, 220, 406, 362.4; D3/203.2,
D3/304, 314, 294, 323; 221/250, 260, 267,
221/281, 299, 807

See application file for complete search history.

(56) **References Cited**

U.S. PATENT DOCUMENTS

1,158,558	A *	11/1915	Rosenfeld	229/122
D94,062	S *	12/1934	Wilsdon	D9/432
D211,715	S *	7/1968	Adell	D9/418
D216,871	S *	3/1970	Wyncota	D9/418
D221,626	S *	8/1971	Fine	D9/423
D249,870	S *	10/1978	Tillander	D9/607
D260,081	S *	8/1981	Kronfeld et al.	D9/418
D271,942	S *	12/1983	Goldman	D9/414
D294,805	S *	3/1988	Boyer	D9/415
D295,832	S *	5/1988	Shelton	D9/415
D305,304	S *	1/1990	McCaleb	D9/418
D326,339	S *	5/1992	Sherman et al.	D28/66
D329,376	S *	9/1992	Burd	D9/418
5,184,725	A *	2/1993	Reinheimer et al.	206/494

D336,848	S *	6/1993	Chen	D9/418
6,015,045	A *	1/2000	Joseph et al.	206/494
D431,775	S *	10/2000	Plattner et al.	D9/415
D434,319	S *	11/2000	Mori	D9/423
D485,172	S *	1/2004	Defino, Jr.	D9/415
D495,951	S *	9/2004	Miller	D9/418
D504,812	S *	5/2005	Keberlein et al.	D9/416
D535,842	S *	1/2007	Wood	D6/567
D536,965	S *	2/2007	Levy	D9/430
D554,497	S *	11/2007	VanDerStighelen	D9/418
D558,573	S *	1/2008	Forthaus et al.	D9/433

* cited by examiner

Primary Examiner—Robert M. Spear

Assistant Examiner—Susan E. Krakower

(74) *Attorney, Agent, or Firm*—Morland C. Fischer

(57) **CLAIM**

The ornamental design for a box with window, as shown and described.

DESCRIPTION

FIG. 1 is a perspective view showing the front, top and right side of a first embodiment of a box with window which forms my new design;

FIG. 2 is a top plan view thereof, this view, the bottom plan view, and each of the left and right side elevational views being identical;

FIG. 3 is a front elevational view thereof;

FIG. 4 is a rear elevational view thereof;

FIG. 5 is a perspective view showing the front, top and right side of a second embodiment of a box with window which forms my new design;

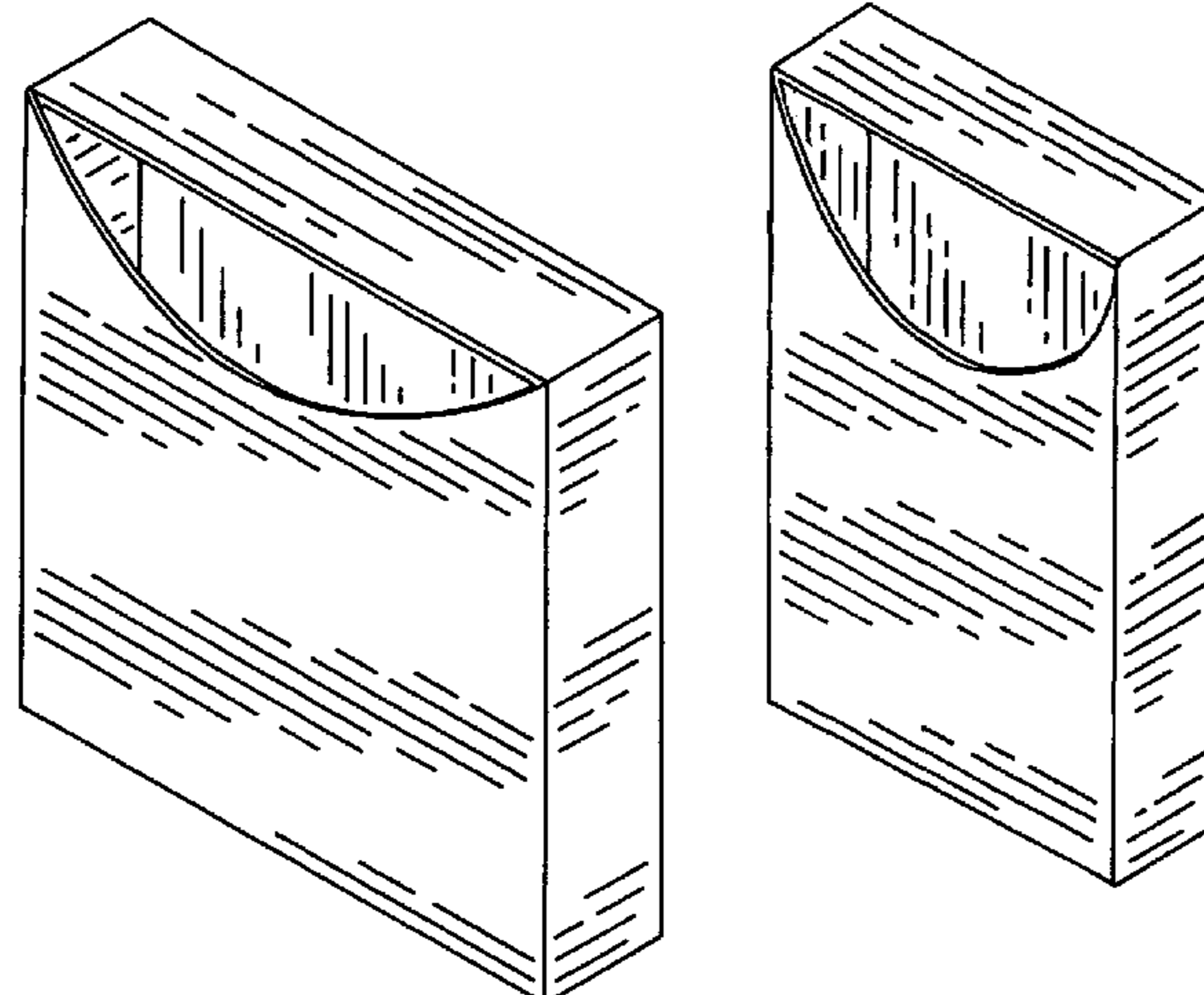
FIG. 6 is a top plan view thereof, this view and the bottom plan view being identical;

FIG. 7 is a front elevational view thereof;

FIG. 8 is a rear elevational view thereof; and,

FIG. 9 is a right side elevational view, this view and the left side elevational view being identical.

1 Claim, 2 Drawing Sheets



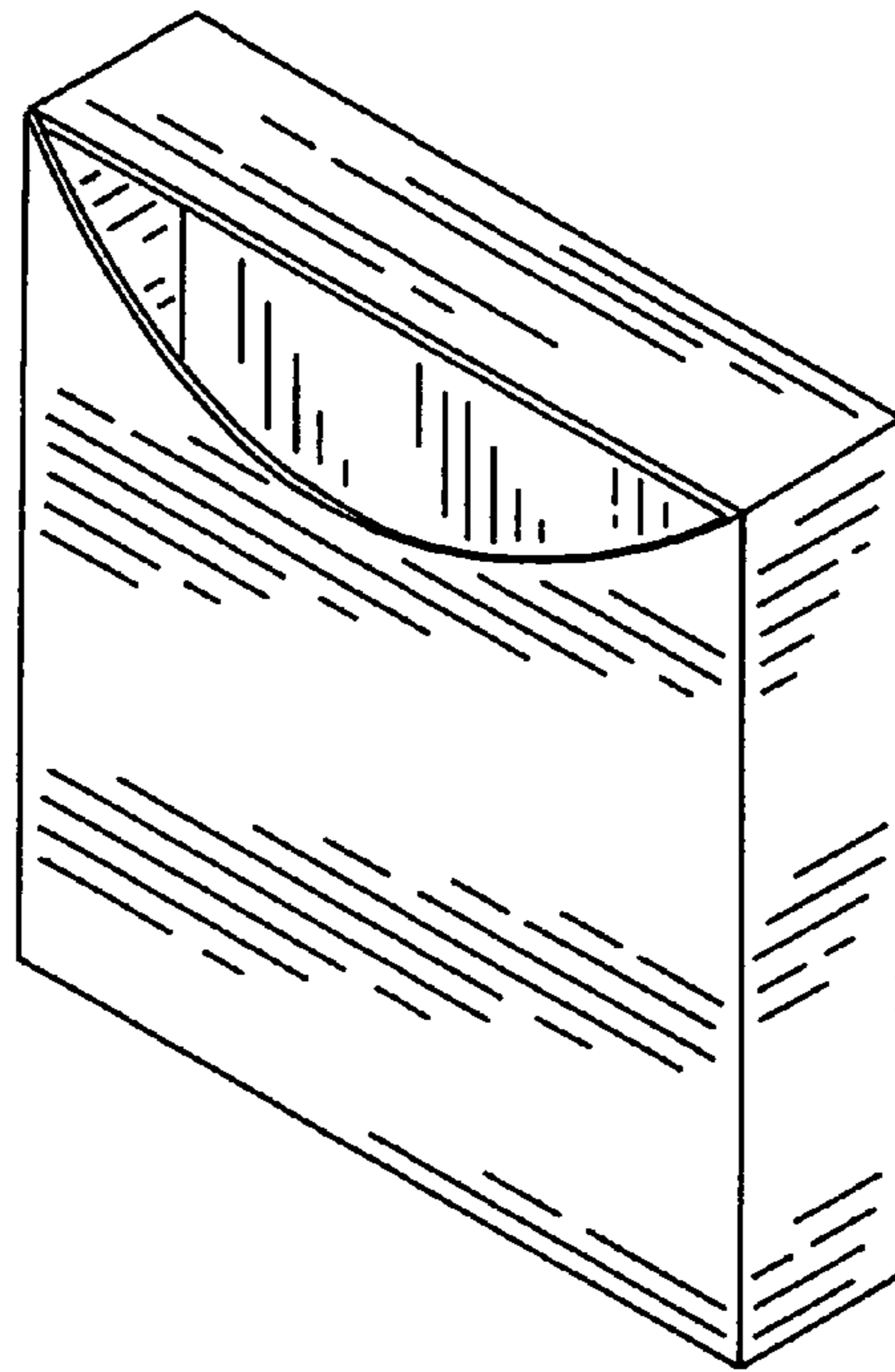


FIG. 1

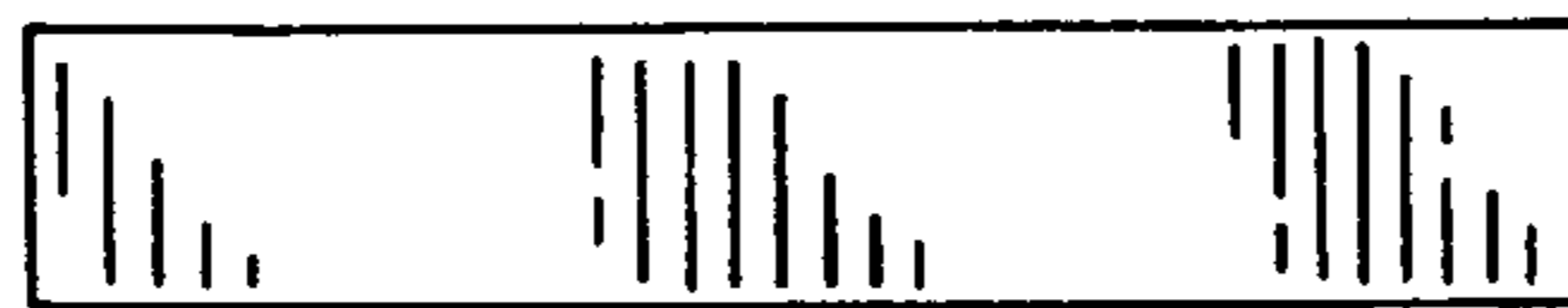


FIG. 2

FIG. 3

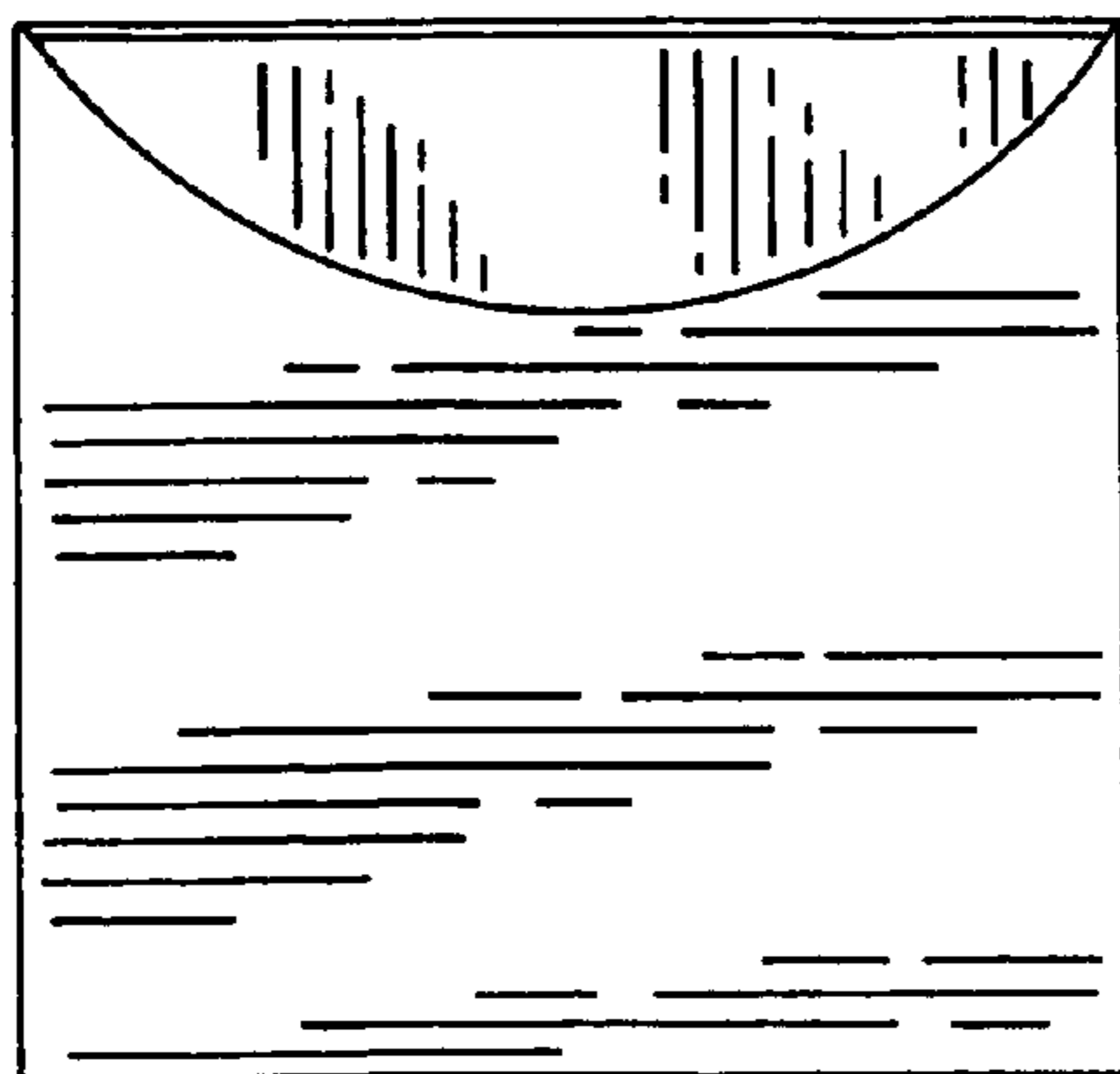
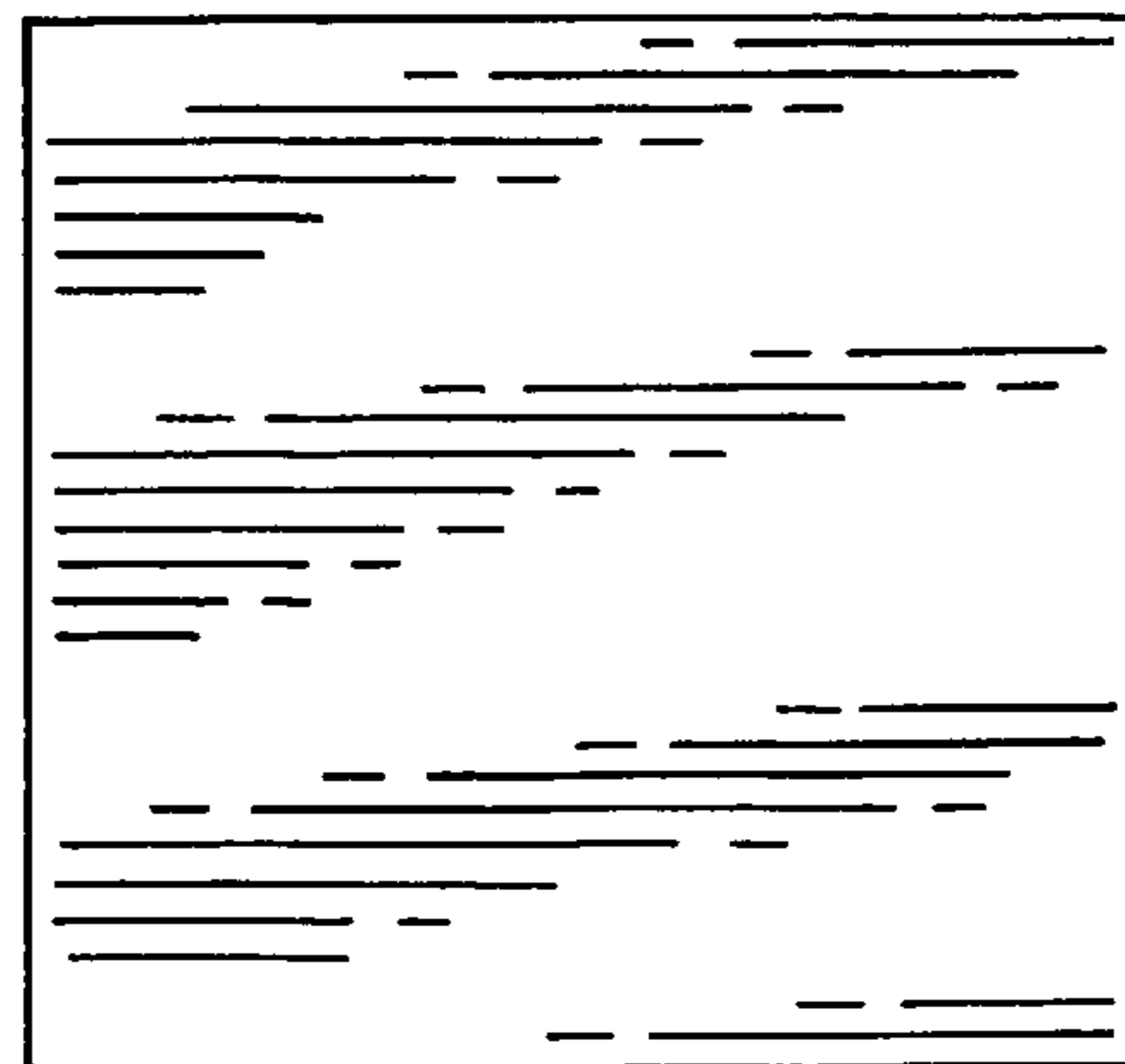


FIG. 4



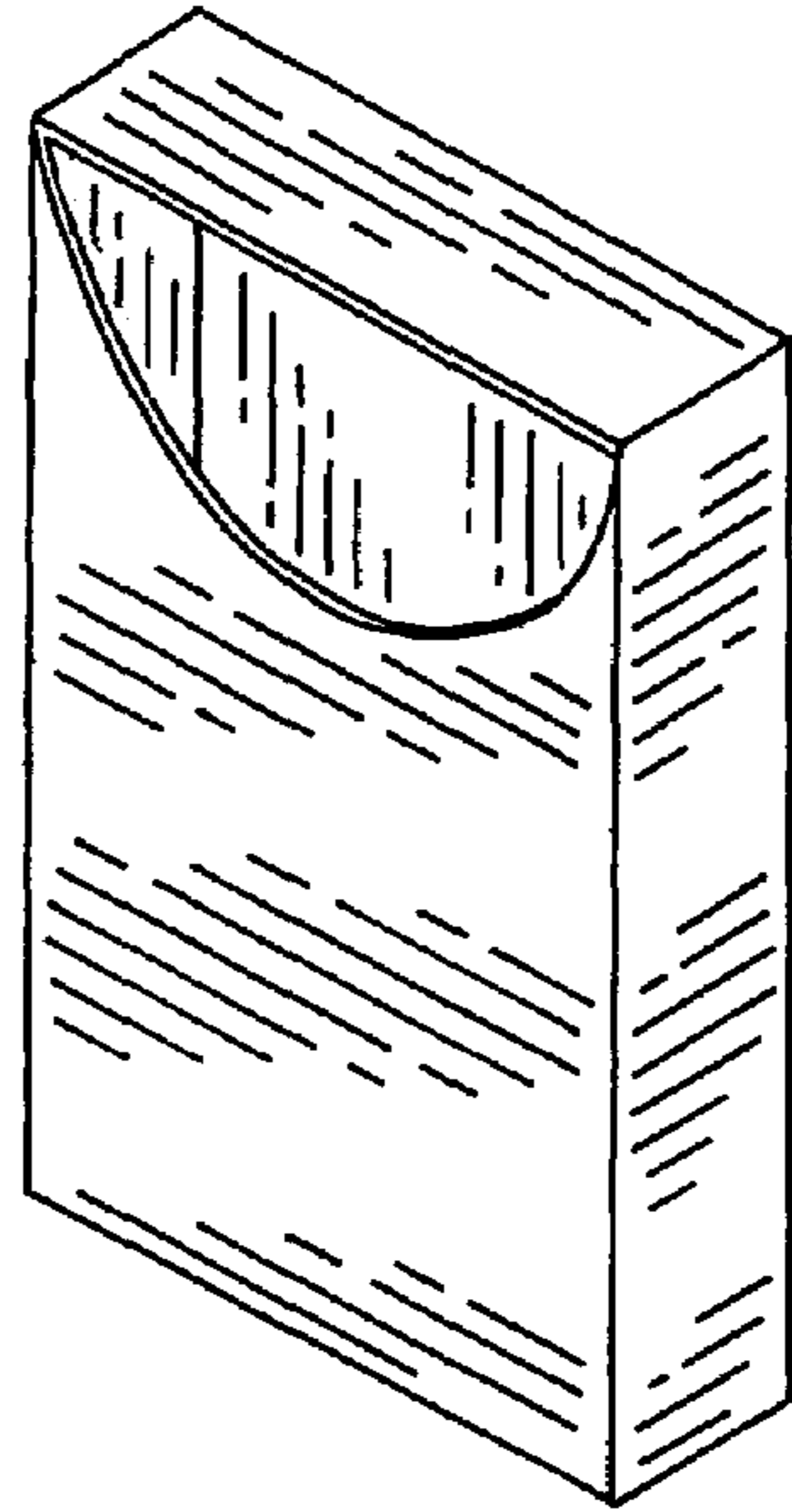


FIG. 5



FIG. 6

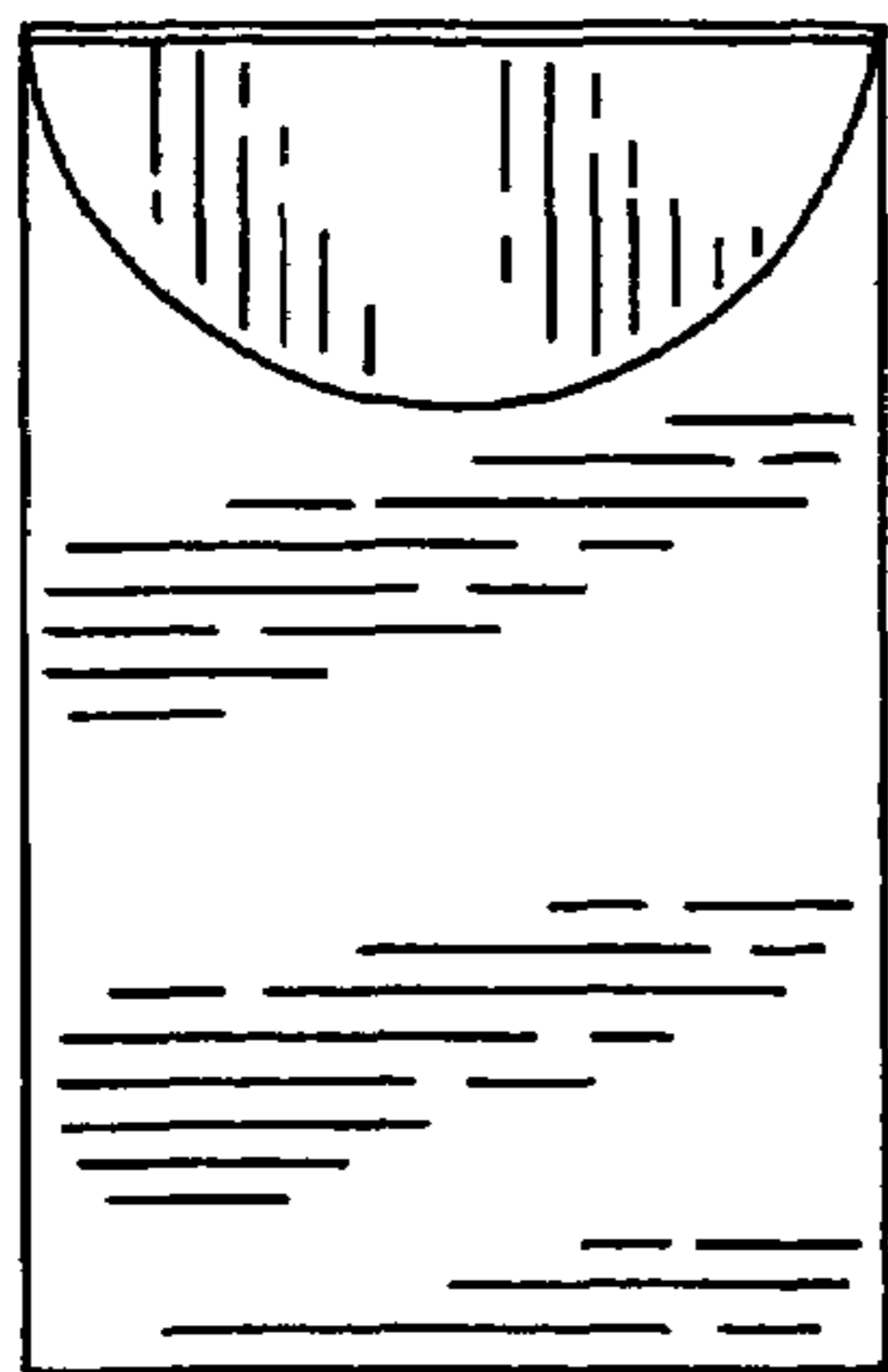


FIG. 7

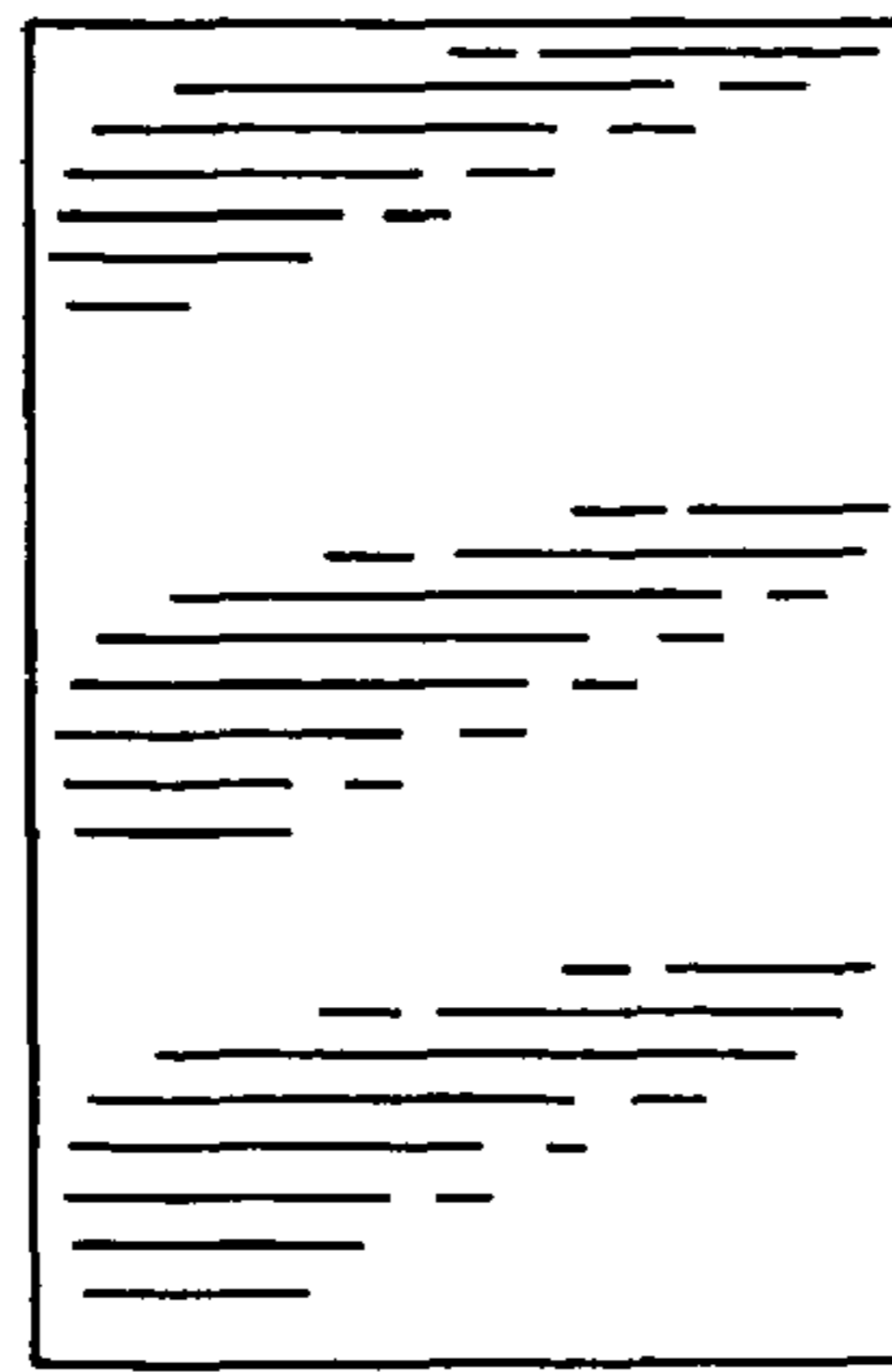


FIG. 8

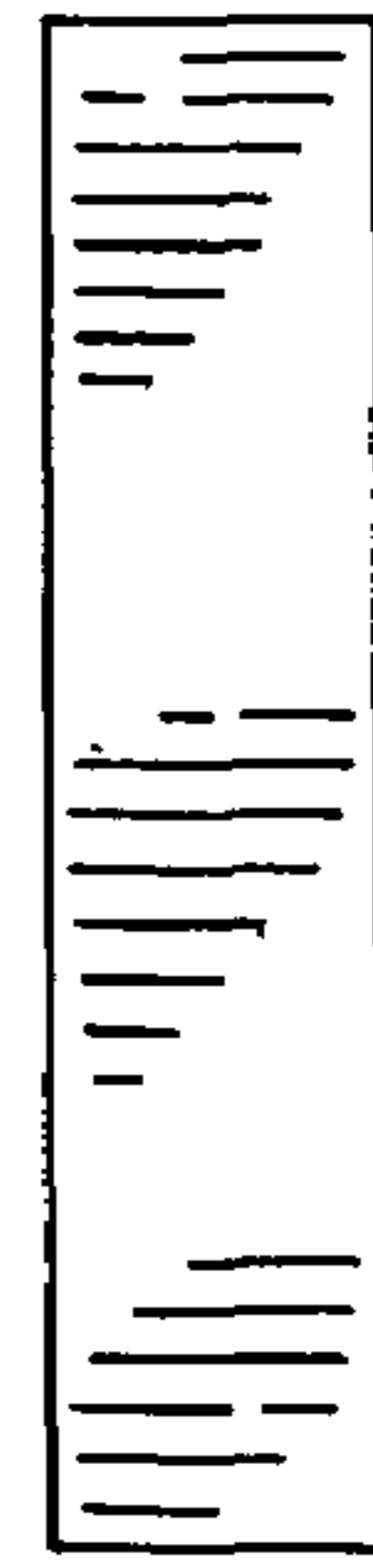


FIG. 9