



US00D581264S

(12) **United States Design Patent**  
**Mapes, Jr.**

(10) **Patent No.:** **US D581,264 S**  
(45) **Date of Patent:** **\*\* Nov. 25, 2008**

(54) **BATTERY PACKAGE**

(75) Inventor: **Richard Mather Mapes, Jr.**, Norwalk,  
CT (US)

(73) Assignee: **The Gillette Company**, Boston, MA  
(US)

(\*\*) Term: **14 Years**

(21) Appl. No.: **29/294,611**

(22) Filed: **Jan. 18, 2008**

(51) **LOC (8) Cl.** ..... **09-03**

(52) **U.S. Cl.** ..... **D9/415; D9/425**

(58) **Field of Classification Search** ..... D9/414-416,  
D9/418, 420, 424-432, 433, 443, 527-530,  
D9/704, 730-734, 751-757; D7/354, 360,  
D7/505, 540-545, 554, 565-567, 570, 574,  
D7/584-586, 590, 604, 629, 667; D30/123,  
D30/129-133; 426/115, 122, 394; 206/162,  
206/170, 216, 469, 471, 497, 508, 536, 557,  
206/804, 815; 220/4.21-4.22, 266, 350,  
220/470, 471, 495.01, 557, 574, 618, 793;  
229/117.14, 117.18, 123.1, 125.35, 220,  
229/406, 362.4; D3/203.2, 304, 314, 294,  
D3/323; 221/250, 260, 267, 281, 299, 807  
See application file for complete search history.

(56) **References Cited**

**U.S. PATENT DOCUMENTS**

D237,591 S *	11/1975	Gutkowski	.....	D9/425
D267,777 S *	2/1983	Niimi et al.	.....	D9/737
D306,561 S *	3/1990	Lee	.....	D9/415
D393,799 S	4/1998	Pope et al.		
D396,632 S *	8/1998	Lee	.....	D9/415
D400,096 S *	10/1998	Lee	.....	D9/415
D405,367 S *	2/1999	Lee et al.	.....	D9/415
D405,368 S *	2/1999	Lee	.....	D9/415

D405,688 S *	2/1999	Lee et al.	.....	D9/415
D406,753 S *	3/1999	Lee	.....	D9/415
D408,280 S *	4/1999	Manley et al.	.....	D9/415
D410,384 S	6/1999	Gaffney et al.		
D413,803 S	9/1999	Albright et al.		
D414,411 S	9/1999	Gaffney et al.		
D418,407 S *	1/2000	Uzawa	.....	D9/415
D419,137 S	1/2000	Gaffney et al.		
D419,441 S	1/2000	Gaffney et al.		
D419,870 S	2/2000	Albright et al.		
D424,933 S	5/2000	Albright et al.		
D425,417 S	5/2000	Gaffney et al.		
D427,523 S	7/2000	Calcerano		
D429,634 S	8/2000	Pirro		
D430,016 S	8/2000	Pirro et al.		

(Continued)

*Primary Examiner*—Robert M Spear

*Assistant Examiner*—Susan E Krakower

(74) *Attorney, Agent, or Firm*—Kevin C. Johnson

(57) **CLAIM**

The ornamental design for the battery package, as shown and described.

**DESCRIPTION**

FIG. 1 is a perspective view as seen from the top, front and left side of a battery package showing my new design;

FIG. 2 is a front elevational view thereof;

FIG. 3 is a rear elevational view thereof;

FIG. 4 is a right side elevational view thereof;

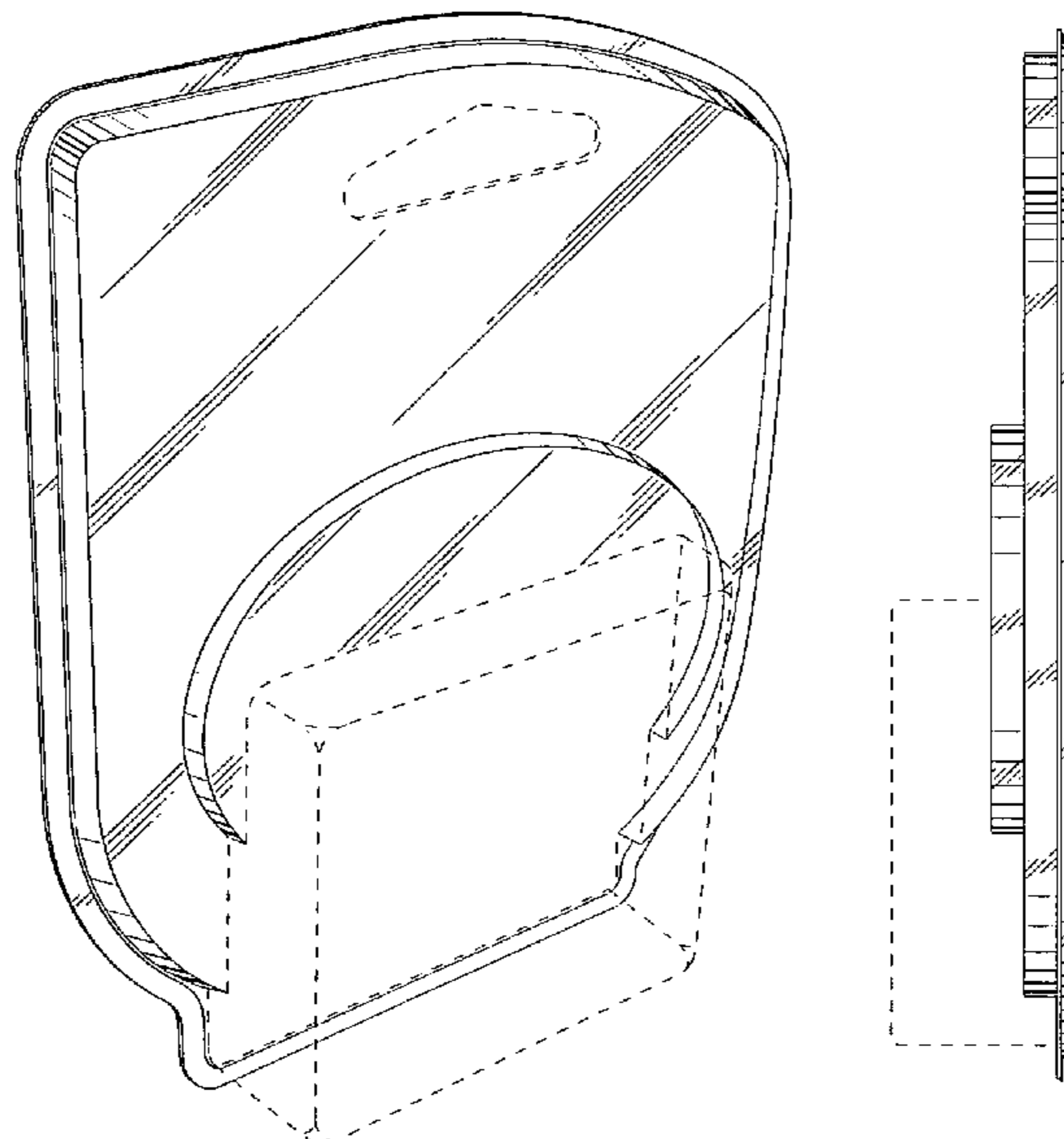
FIG. 5 is a left side elevational view thereof;

FIG. 6 is a top plan view thereof; and,

FIG. 7 is a bottom plan view thereof.

The dash-dash-dash broken lines illustrate portions of the battery package which form no part of the claimed design.

**1 Claim, 6 Drawing Sheets**



# US D581,264 S

Page 2

## U.S. PATENT DOCUMENTS

D431,461 S	*	10/2000	Glassman	.....	D9/415	D485,752 S	*	1/2004	Milan	.....	D9/415
D432,009 S		10/2000	Pirro et al.			D496,268 S	*	9/2004	Stamm et al.	.....	D9/415
D432,411 S		10/2000	Pirro et al.			D499,964 S	*	12/2004	Elliott et al.	.....	D9/415
D432,908 S		10/2000	Pirro et al.			D501,137 S		1/2005	Fritz et al.		
D432,909 S		10/2000	Pirro et al.			D503,882 S	*	4/2005	Milan	.....	D9/415
D432,911 S		10/2000	Clarke et al.			D504,064 S	*	4/2005	Lee et al.	.....	D9/415
D433,629 S		11/2000	Clarke et al.			D508,844 S	*	8/2005	Calcerano	.....	D9/415
D433,936 S		11/2000	Pirro et al.			D510,261 S		10/2005	Calcerano		
D433,937 S	*	11/2000	Glassman	.....	D9/415	D517,908 S	*	3/2006	Kent et al.	.....	D9/415
D434,316 S	*	11/2000	Simmers	.....	D9/415	D517,909 S	*	3/2006	Kent et al.	.....	D9/415
D443,204 S		6/2001	Garrant et al.			D521,861 S	*	5/2006	Lee et al.	.....	D9/415
D449,779 S		10/2001	Otto			D524,643 S	*	7/2006	Legrand	.....	D9/415
D450,239 S		11/2001	Otto			D548,617 S		8/2007	Ferguson et al.		
D451,014 S		11/2001	Otto			D548,618 S		8/2007	Ferguson et al.		
D451,015 S		11/2001	Otto			D548,619 S		8/2007	Ferguson et al.		
D454,062 S		3/2002	Garrant et al.			D548,620 S		8/2007	Ferguson et al.		
D454,300 S		3/2002	Pirro et al.			D549,111 S		8/2007	Ferguson et al.		
D454,783 S		3/2002	Pirro et al.			D554,492 S	*	11/2007	Bochmann et al.	.....	D9/415
D474,023 S	*	5/2003	Vasudeva	.....	D3/315	D554,493 S	*	11/2007	Bochmann et al.	.....	D9/415
D482,965 S	*	12/2003	Spiegel	.....	D9/415	D556,601 S		12/2007	Ferguson et al.		

\* cited by examiner

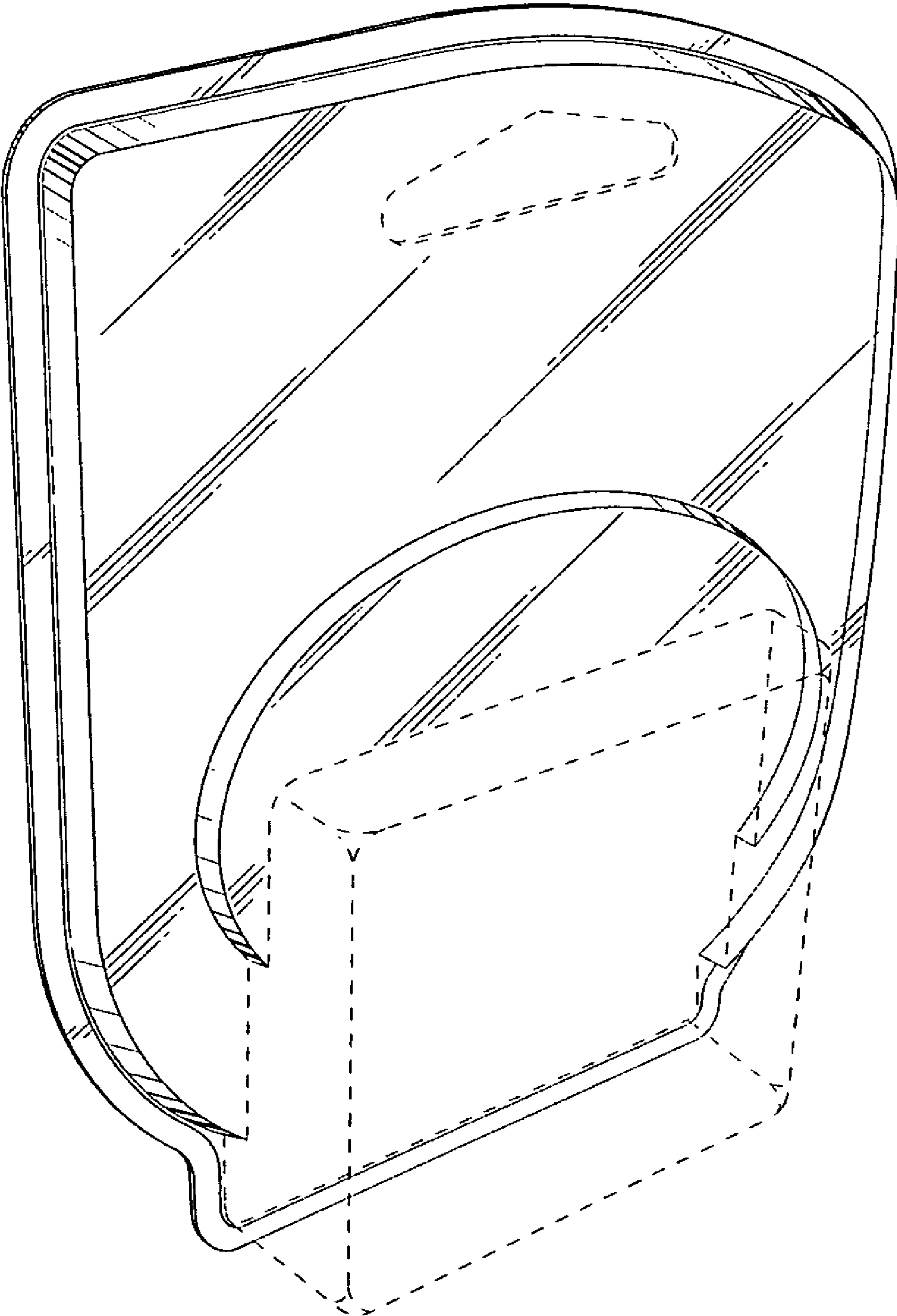


Fig. 1

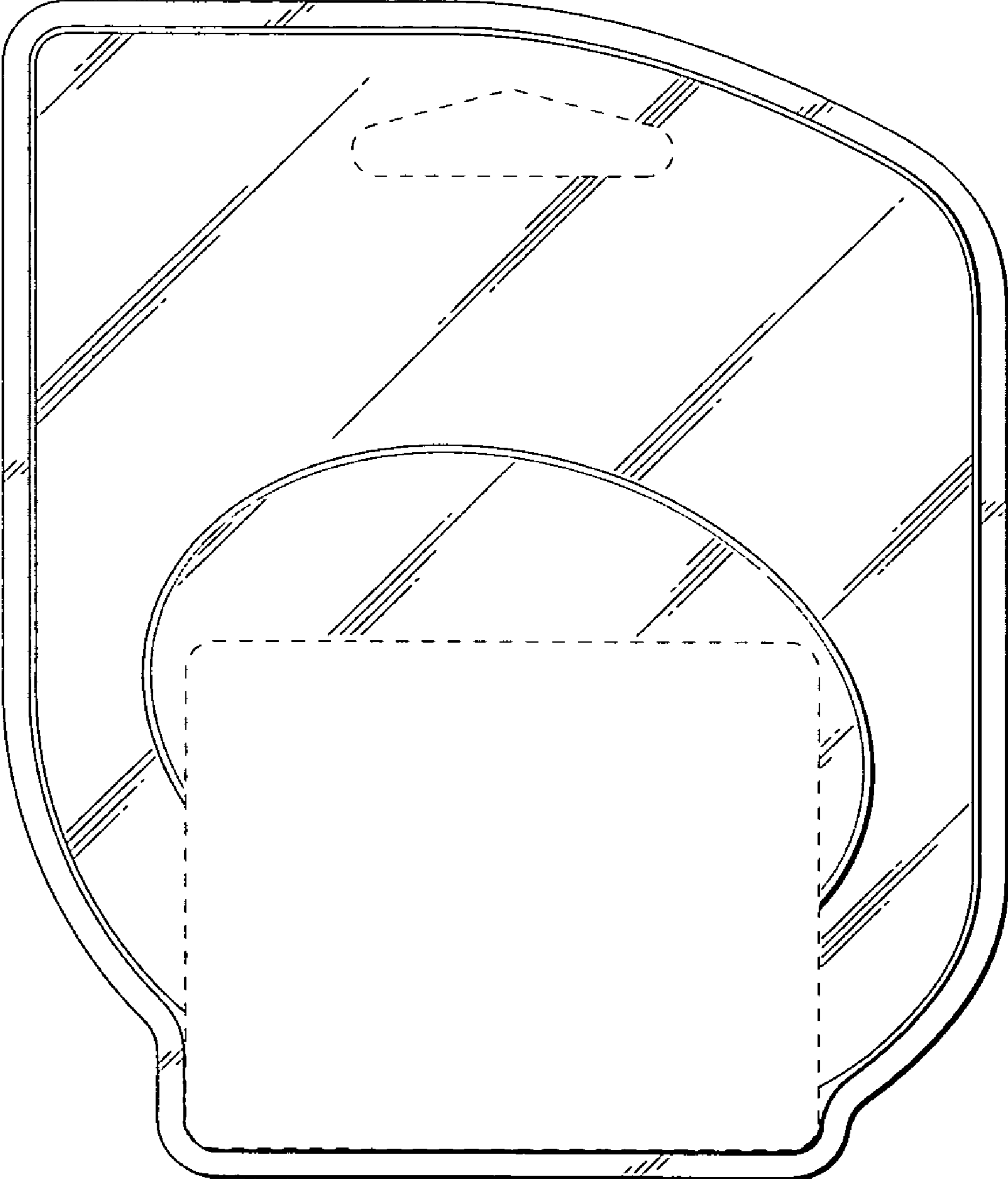


Fig. 2

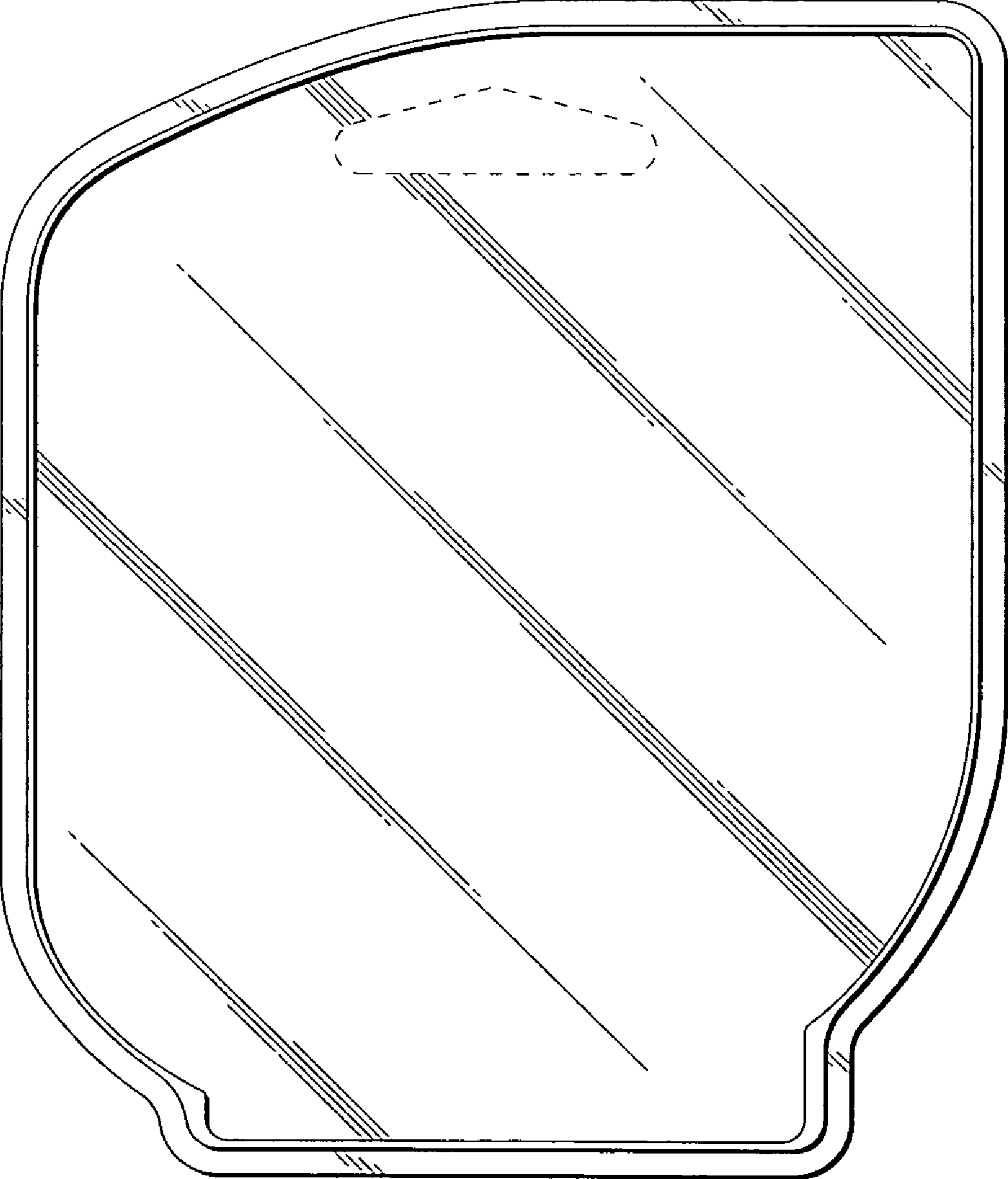


Fig. 3

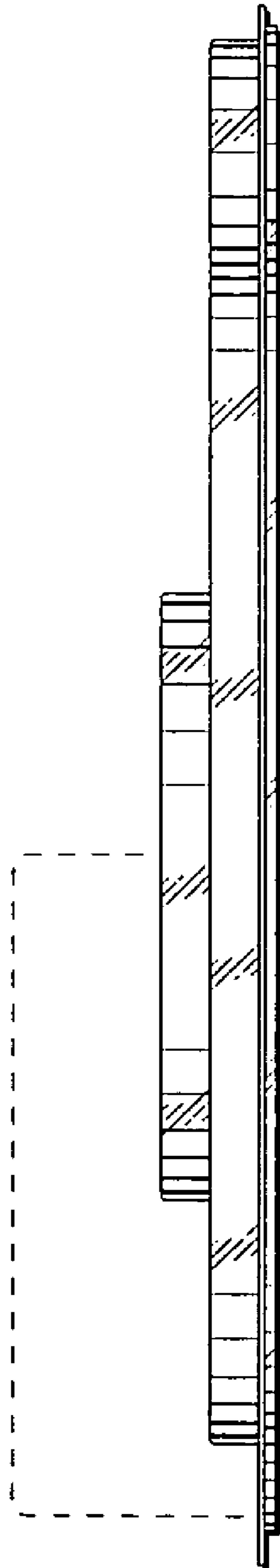


Fig. 4

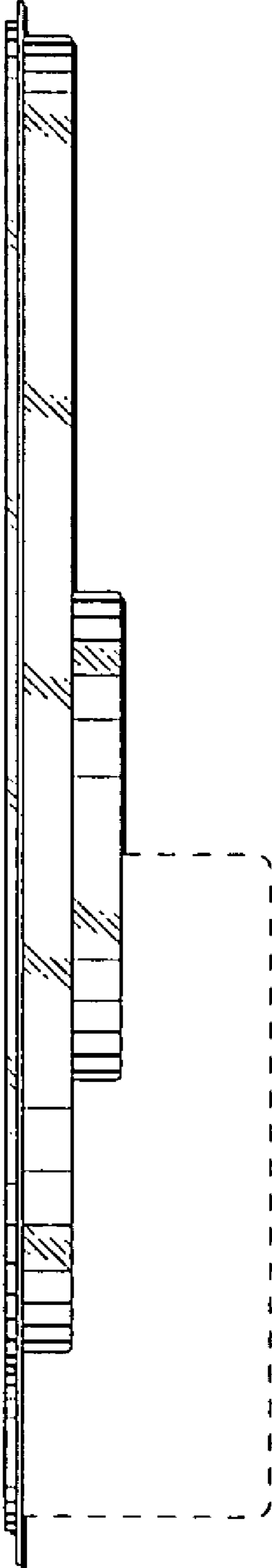


Fig. 5

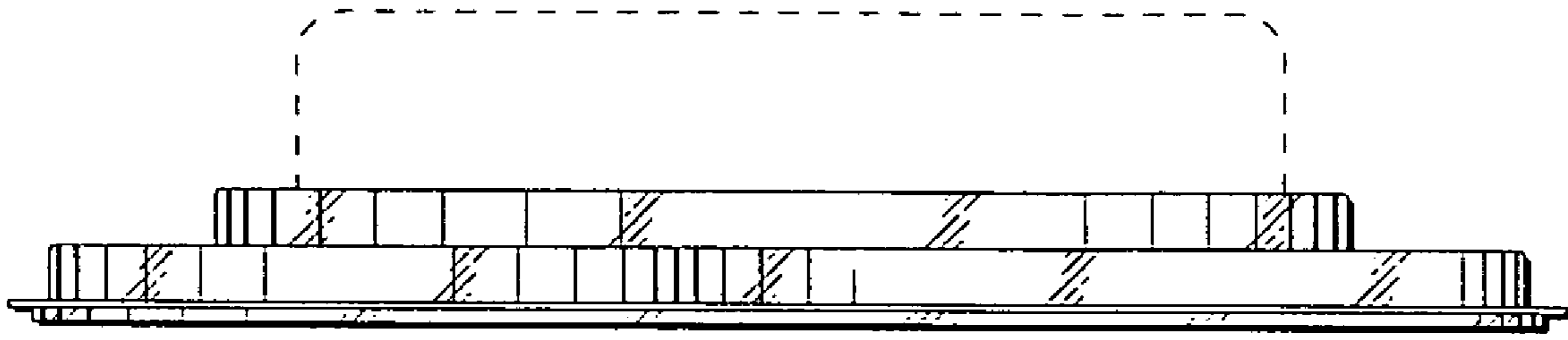


Fig. 6

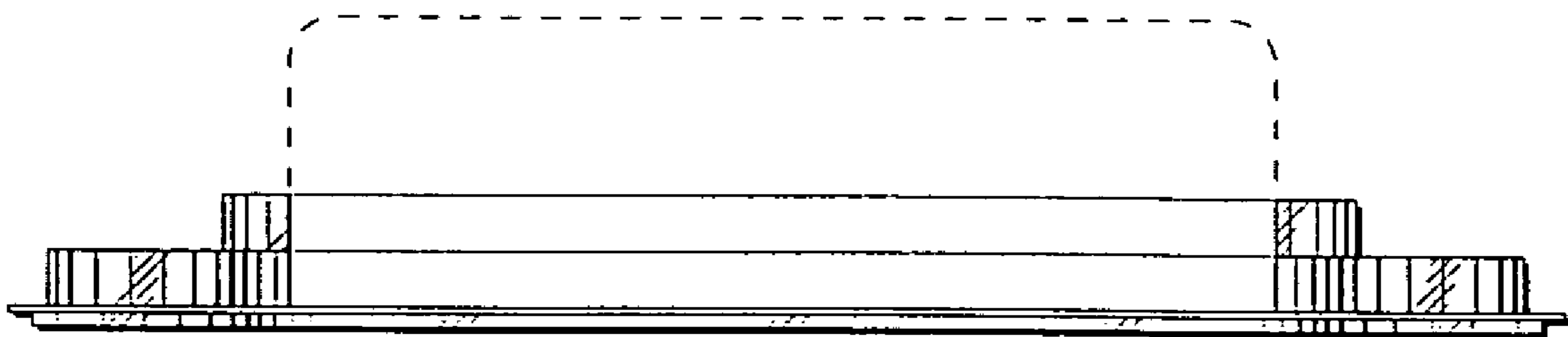


Fig. 7