



US00D581261S

(12) **United States Design Patent**  
**Wiegel**

(10) **Patent No.:** **US D581,261 S**

(45) **Date of Patent:** **\*\* Nov. 25, 2008**

(54) **PET FOOD PACKAGING**

(76) Inventor: **Miriam J. Wiegel**, 580 Forest Shade Rd., Ste. 5, Crestline, CA (US) 92325-1119

(\*\*) Term: **14 Years**

(21) Appl. No.: **29/255,159**

(22) Filed: **Mar. 3, 2006**

(51) **LOC (8) Cl.** ..... **09-03**

(52) **U.S. Cl.** ..... **D9/415**

(58) **Field of Classification Search** ..... D9/756, D9/730, 720, 457, 702, 703, 707, 722, 415; 426/106, 108; 493/193, 186; 206/554, 484, 206/820, 806, 466, 461-463, 469, 471, 343, 206/340, 390, 278

See application file for complete search history.

(56) **References Cited**

**U.S. PATENT DOCUMENTS**

2,298,545	A *	10/1942	Waters	426/127
D138,754	S *	9/1944	Salfisberg	D9/707
2,813,623	A *	11/1957	Colovos	206/538
2,920,968	A *	1/1960	Grandy	426/108
3,014,638	A *	12/1961	Preston	206/459.5
3,094,083	A *	6/1963	Weeks	156/93
D198,339	S *	6/1964	Edell	D9/415
3,372,797	A *	3/1968	Grevich	206/484
3,409,721	A *	11/1968	Applezweig	514/170
D216,295	S *	12/1969	Alexander	D9/415
3,931,885	A *	1/1976	Nahill et al.	206/538
D239,253	S *	3/1976	Tiep et al.	D9/415
4,193,498	A *	3/1980	Rowling	206/494
4,223,043	A *	9/1980	Johnson	426/122
4,277,024	A *	7/1981	Spector	239/36
D319,387	S *	8/1991	Hoernke	D9/722
D330,326	S *	10/1992	Honeycutt	D9/722
D365,981	S *	1/1996	Sullivan	D9/720
D369,501	S *	5/1996	Gnant	D6/635
D567,647	S *	4/2008	Reda	D9/415
2005/0106293	A1 *	5/2005	Bruckner	426/106

\* cited by examiner

*Primary Examiner*—Stella M. Reid

*Assistant Examiner*—Mark A Goodwin

(74) *Attorney, Agent, or Firm*—Stetina Brunda Garred & Brucker

(57) **CLAIM**

The ornamental design for a pet food packaging, as shown and described.

**DESCRIPTION**

FIG. 1 is a front view of a pet food packaging showing my new design;

FIG. 2 is a side view thereof;

FIG. 3 is a rear view thereof;

FIG. 4 is a top plan view thereof;

FIG. 5 is a bottom plan view thereof;

FIG. 6 is a front view of a second embodiment of a pet food packaging showing my new design;

FIG. 7 is a side view thereof;

FIG. 8 is a back view thereof;

FIG. 9 is a top plan view thereof;

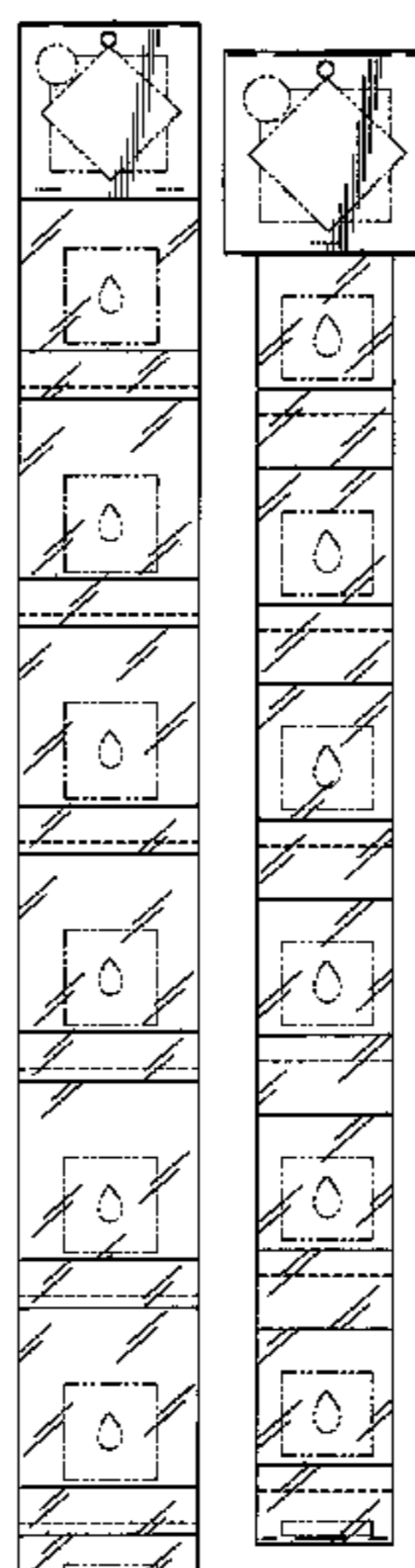
FIG. 10 is a bottom plan view thereof;

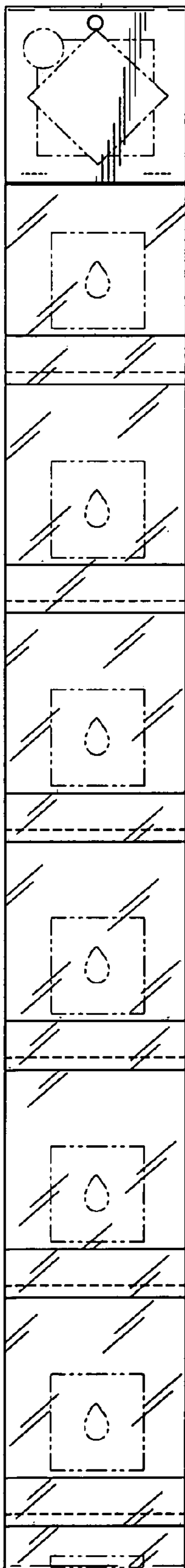
FIG. 11 is an alternate front view of the first embodiment of a pet food packaging showing my new design being broken away to represent indeterminate length; and,

FIG. 12 is an alternate front view of the second embodiment of a pet food packaging showing my new design being broken away to represent indeterminate length.

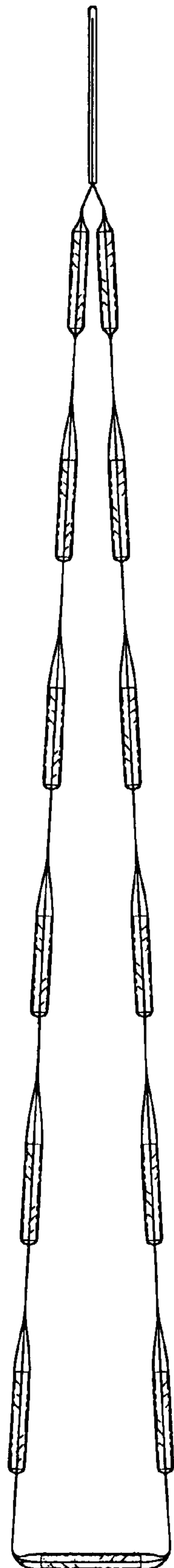
The horizontal evenly spaced broken lines between each package compartment represent perforations. The long dash short dash broken lines on the hanger panel and surface of each package compartment is included for the purpose of illustrating environment only and forms no part of the claimed design.

**1 Claim, 3 Drawing Sheets**

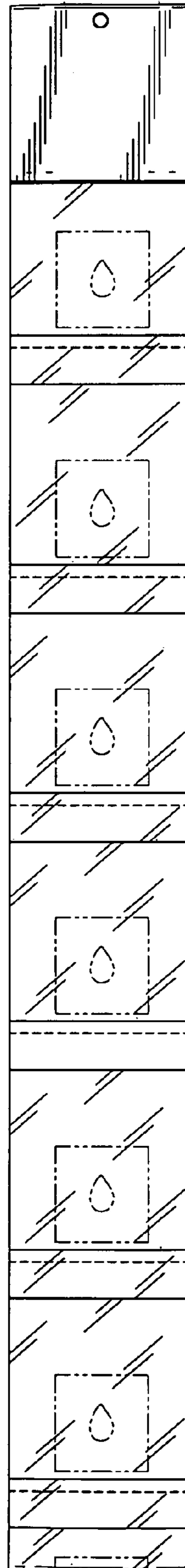




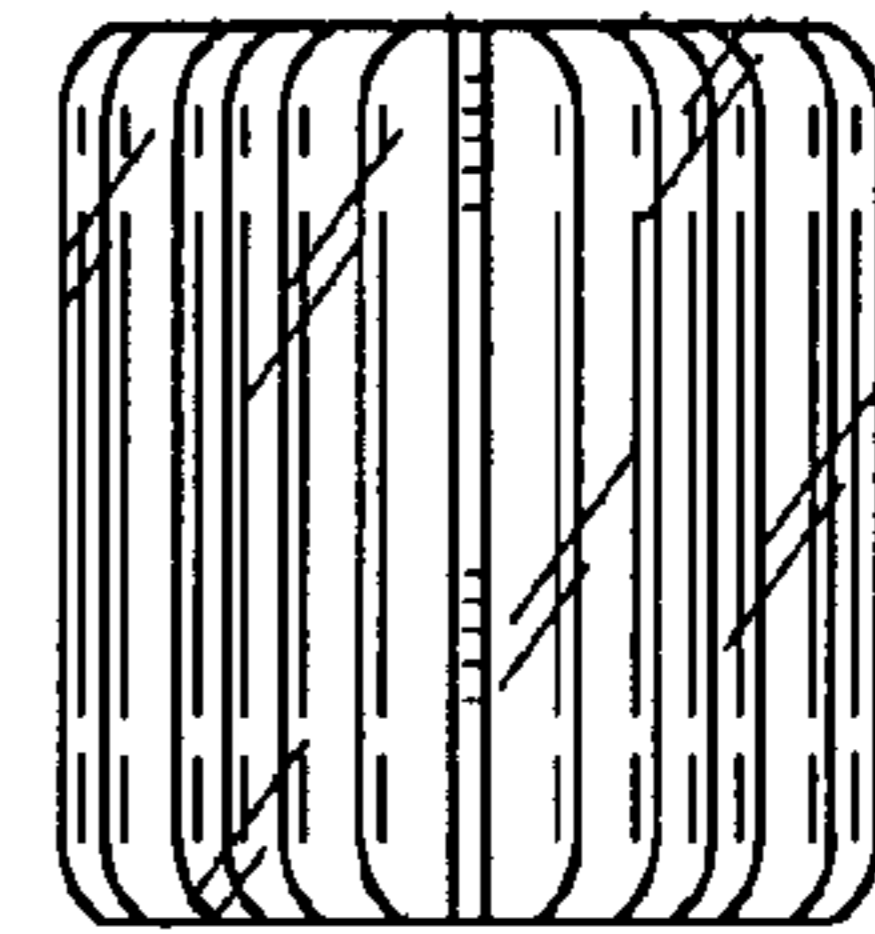
*Fig. 1*



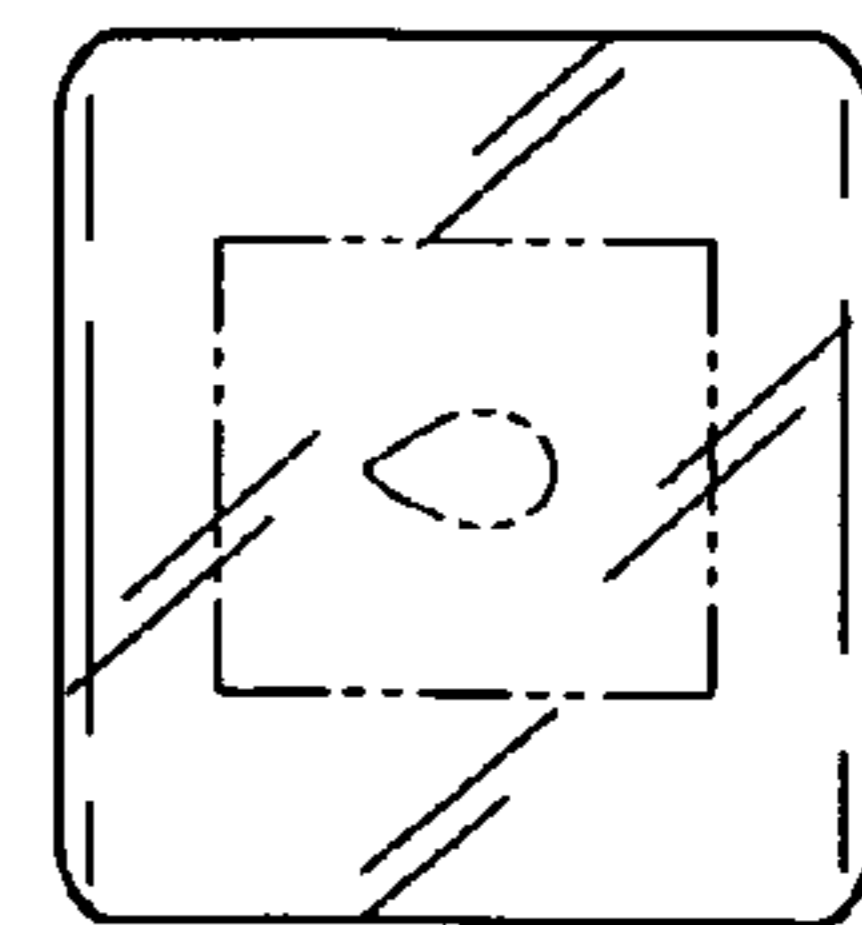
*Fig. 2*



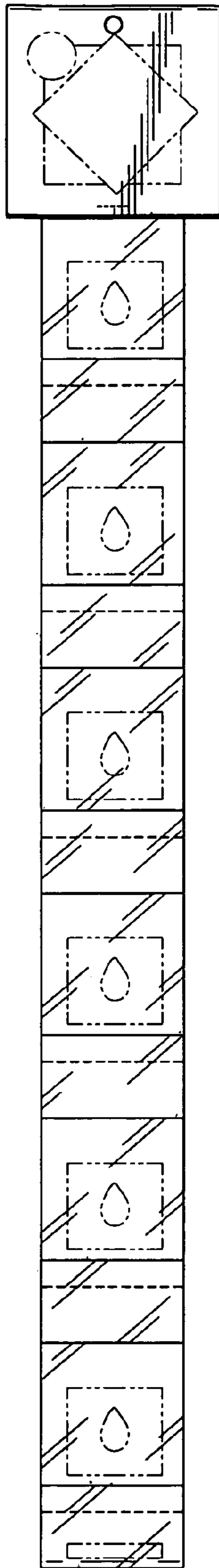
*Fig. 3*



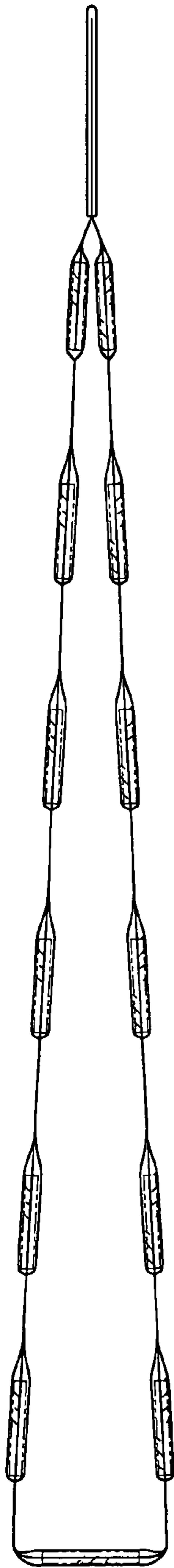
*Fig. 4*



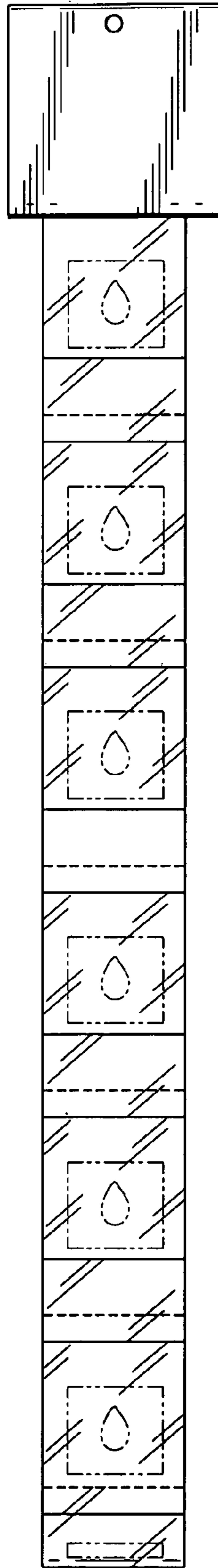
*Fig. 5*



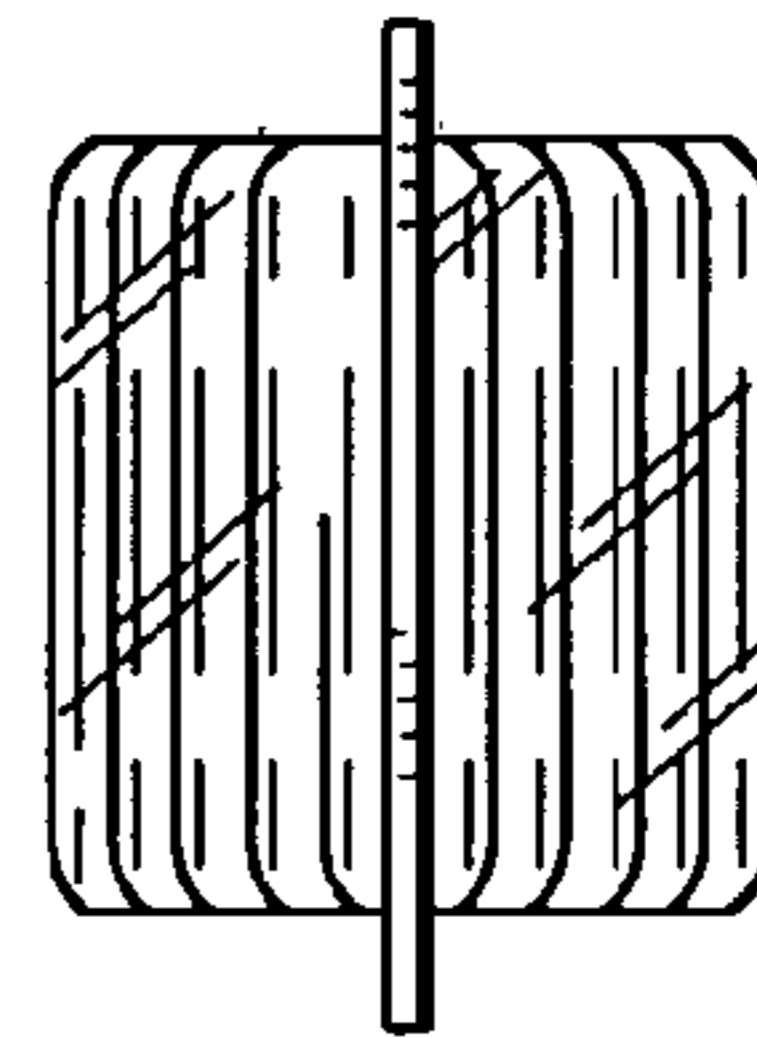
*Fig. 6*



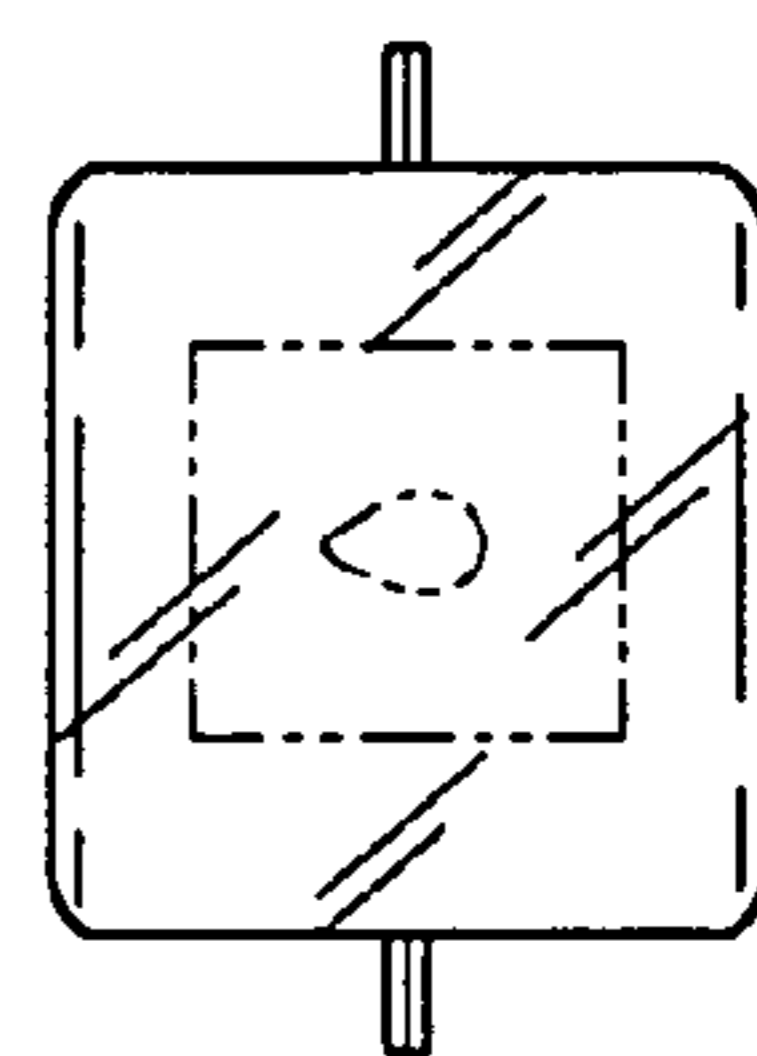
*Fig. 7*



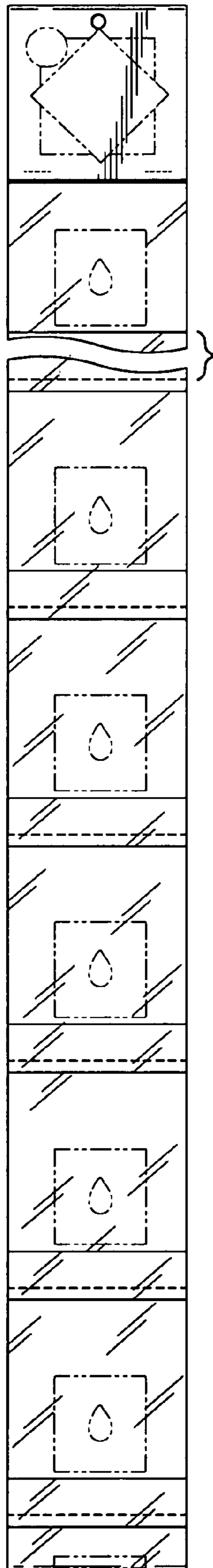
*Fig. 8*



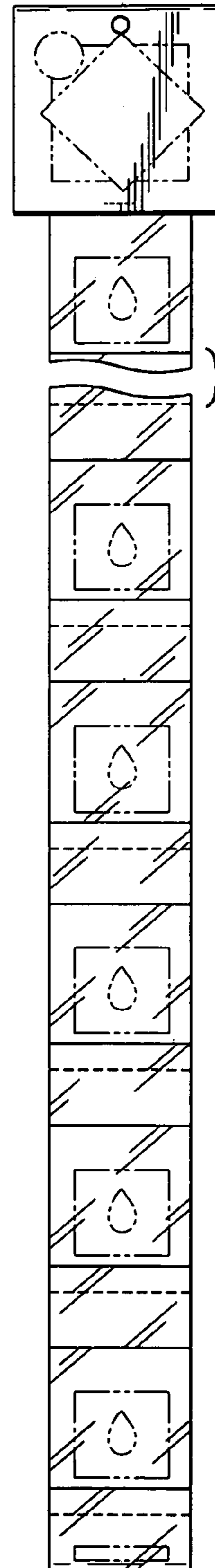
*Fig. 9*



*Fig. 10*



*Fig. 11*



*Fig. 12*