



US00D581256S

(12) **United States Design Patent**  
**Jiang**

(10) **Patent No.:** **US D581,256 S**

(45) **Date of Patent:** **\*\* Nov. 25, 2008**

(54) **REEL**

(75) Inventor: **Zheng Jiang**, Shanghai (CN)

(73) Assignee: **American Electric Cord, Inc.**, Shanghai (CN)

(\*\*) Term: **14 Years**

(21) Appl. No.: **29/319,801**

(22) Filed: **Jun. 16, 2008**

(51) **LOC (8) Cl.** ..... **08-05**

(52) **U.S. Cl.** ..... **D8/358**

(58) **Field of Classification Search** ..... D8/381,  
D8/380, 373, 363, 359, 358, 354, 350, 349;  
D34/17; D14/253; D13/154, 137.4; D12/211;  
D10/72; 33/769; 248/264, 251, 916; 242/608.8,  
242/608.4, 601, 600, 570, 395, 370, 385.1;  
137/355.27, 355.23; 104/113

See application file for complete search history.

(56) **References Cited**

**U.S. PATENT DOCUMENTS**

- 3,182,139 A \* 5/1965 Meletti ..... 242/385.1
- D313,166 S \* 12/1990 Kovacik et al. .... D8/358
- D313,167 S \* 12/1990 Kovacik et al. .... D8/358
- D419,426 S \* 1/2000 Kovacik et al. .... D8/358
- D434,000 S \* 11/2000 Miller ..... D13/137.4
- D448,651 S \* 10/2001 Kovacik et al. .... D8/358

- 6,439,360 B1 \* 8/2002 Miller ..... 191/12.2 R
- D468,189 S \* 1/2003 Kovacik et al. .... D8/358
- D479,979 S \* 9/2003 Kovacik et al. .... D8/358
- D496,253 S \* 9/2004 Kovacik et al. .... D8/358
- D504,606 S \* 5/2005 Kovacik et al. .... D8/358

\* cited by examiner

*Primary Examiner*—Susan B Hattan

(74) *Attorney, Agent, or Firm*—Stephen M. Nipper; Dykas, Shaver & Nipper, LLP

(57) **CLAIM**

The ornamental design for a reel, as shown and described.

**DESCRIPTION**

FIG. 1 is a perspective representational view of the reel;

FIG. 2 is a first end view of the reel;

FIG. 3 is a first side view of the reel;

FIG. 4 is a second end view of the reel;

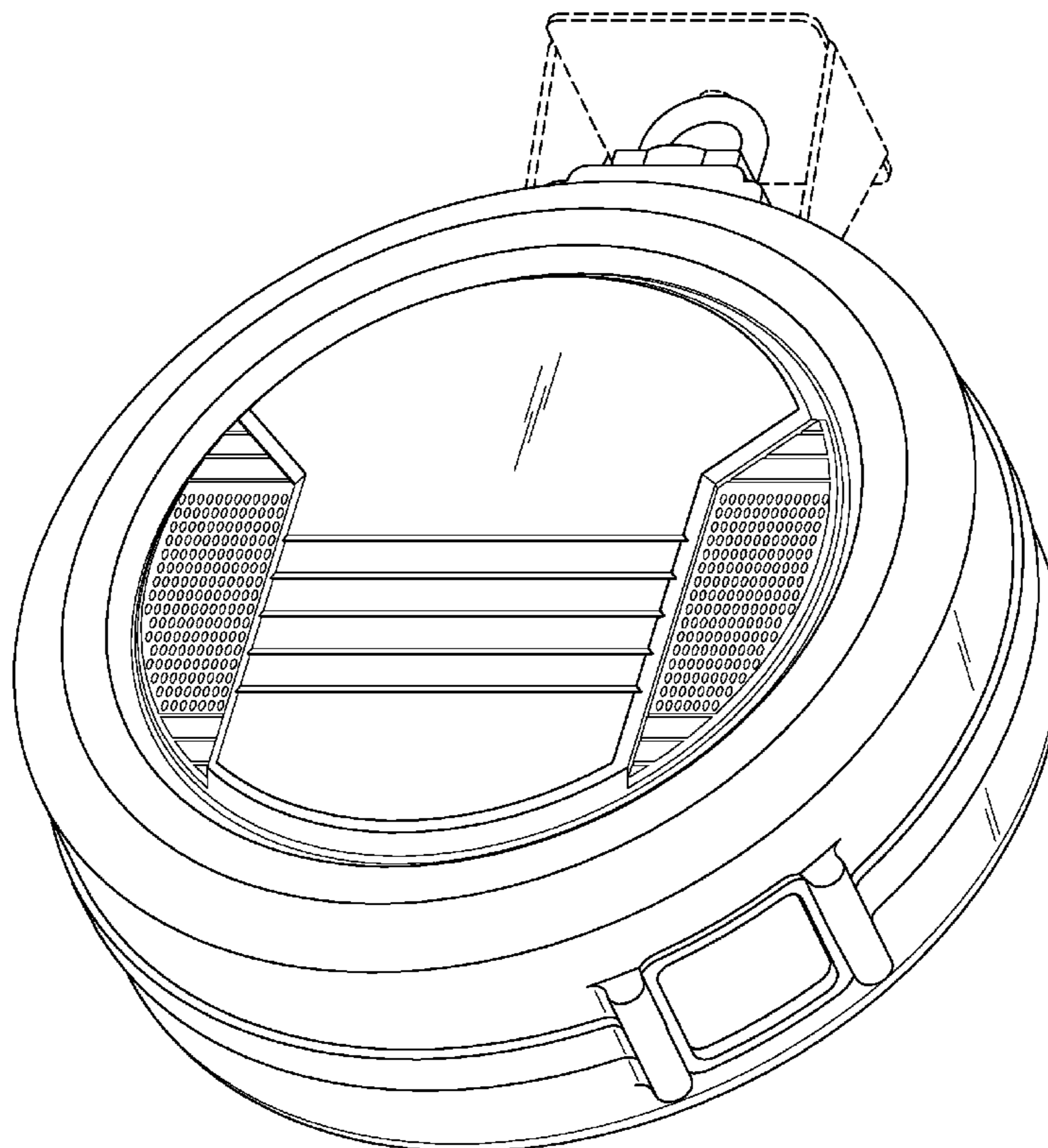
FIG. 5 is a second side view of the reel;

FIG. 6 is a top plan view, of the reel; and,

FIG. 7 is a bottom plan view of the reel.

Any broken lines within this Figure showing the environment is for illustrative purposes only and forms no part of the claimed design.

**1 Claim, 3 Drawing Sheets**



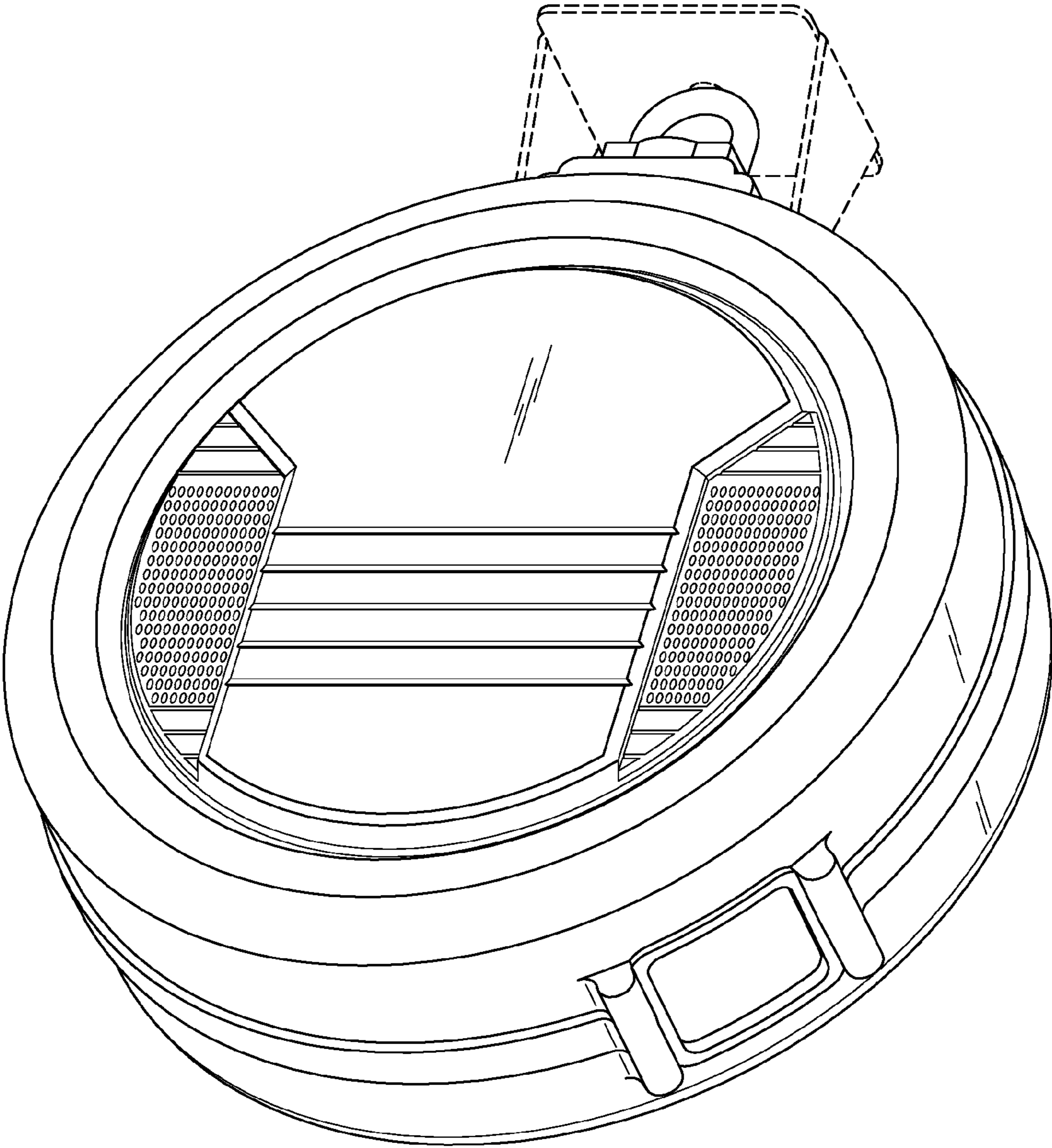


FIG. 1

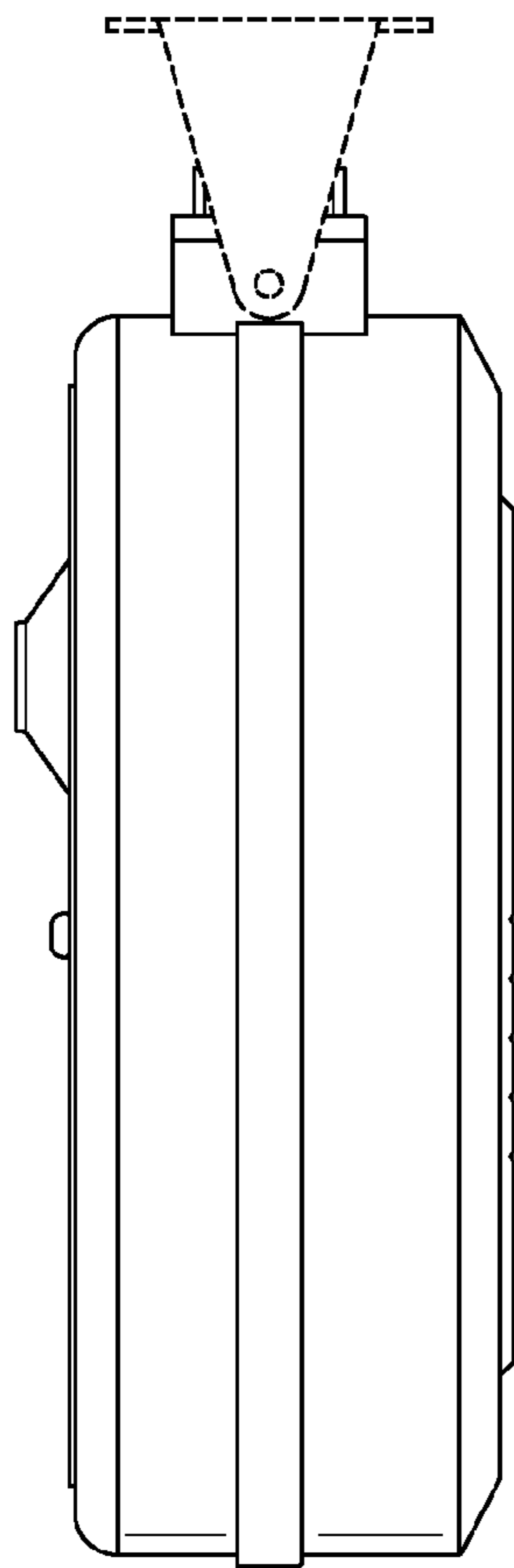


FIG. 2

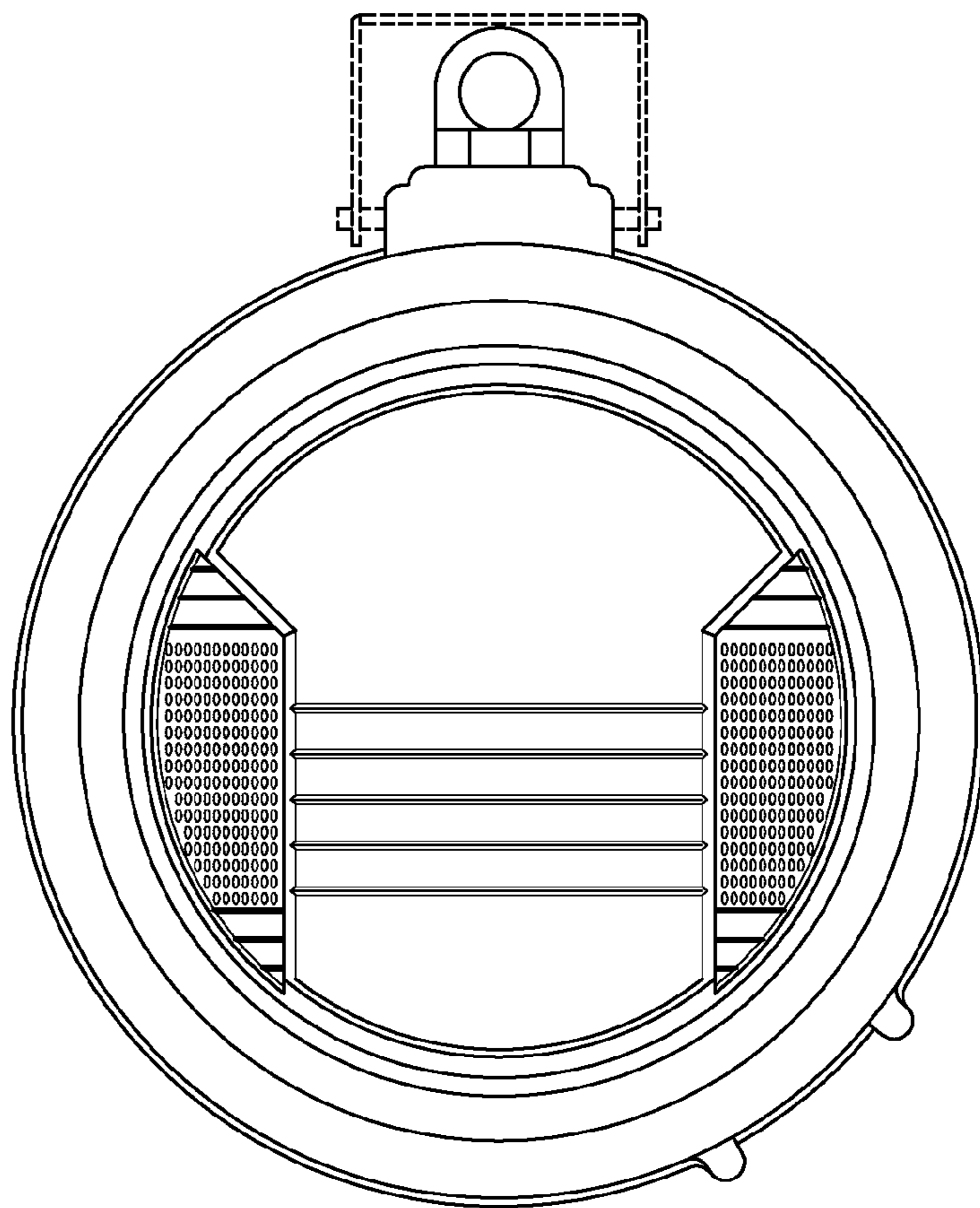


FIG. 3

FIG. 6

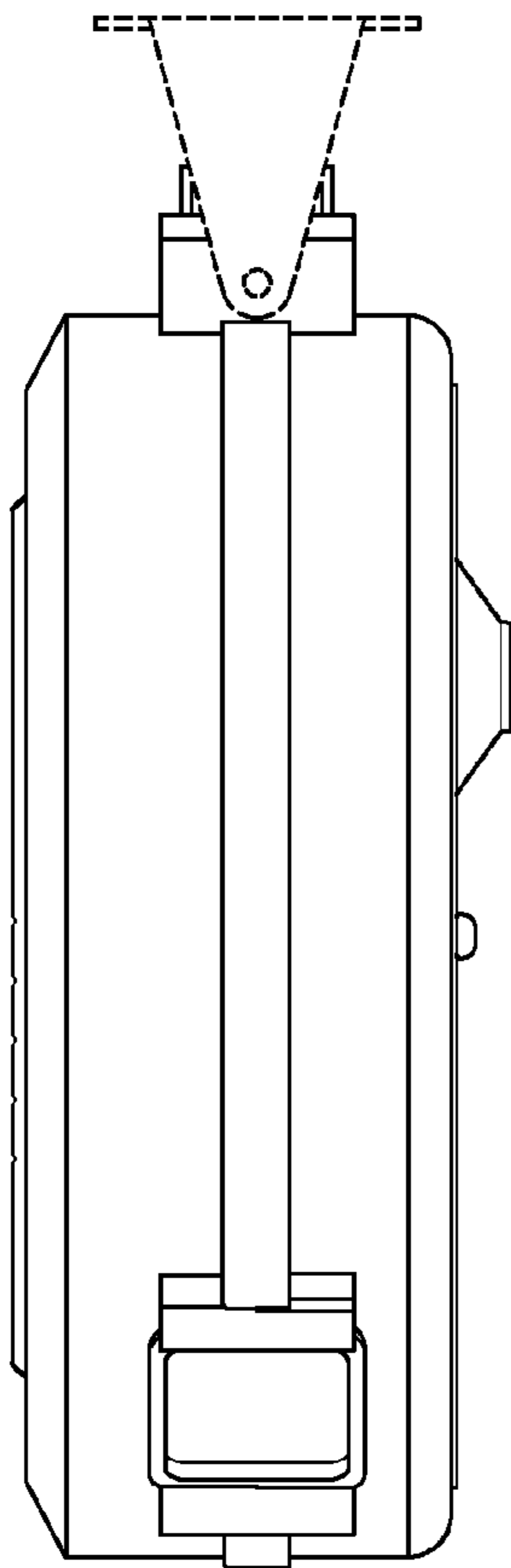
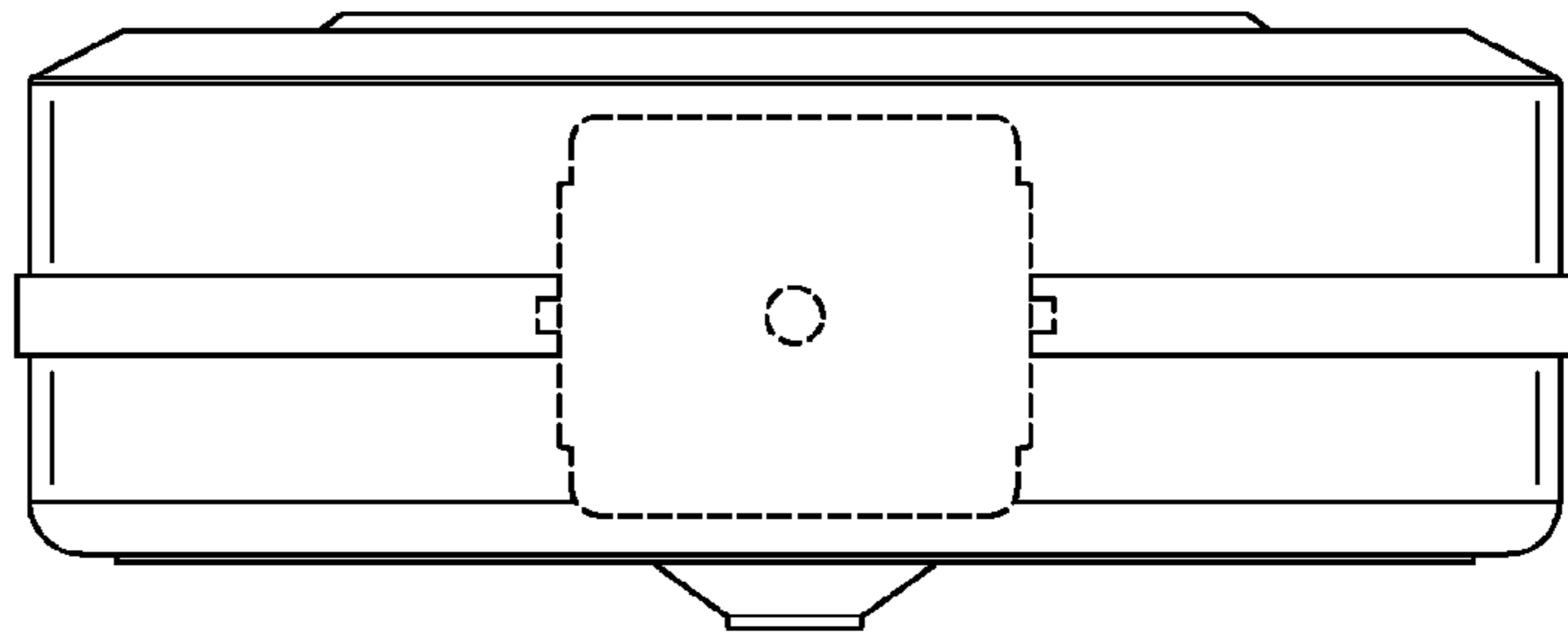


FIG. 4

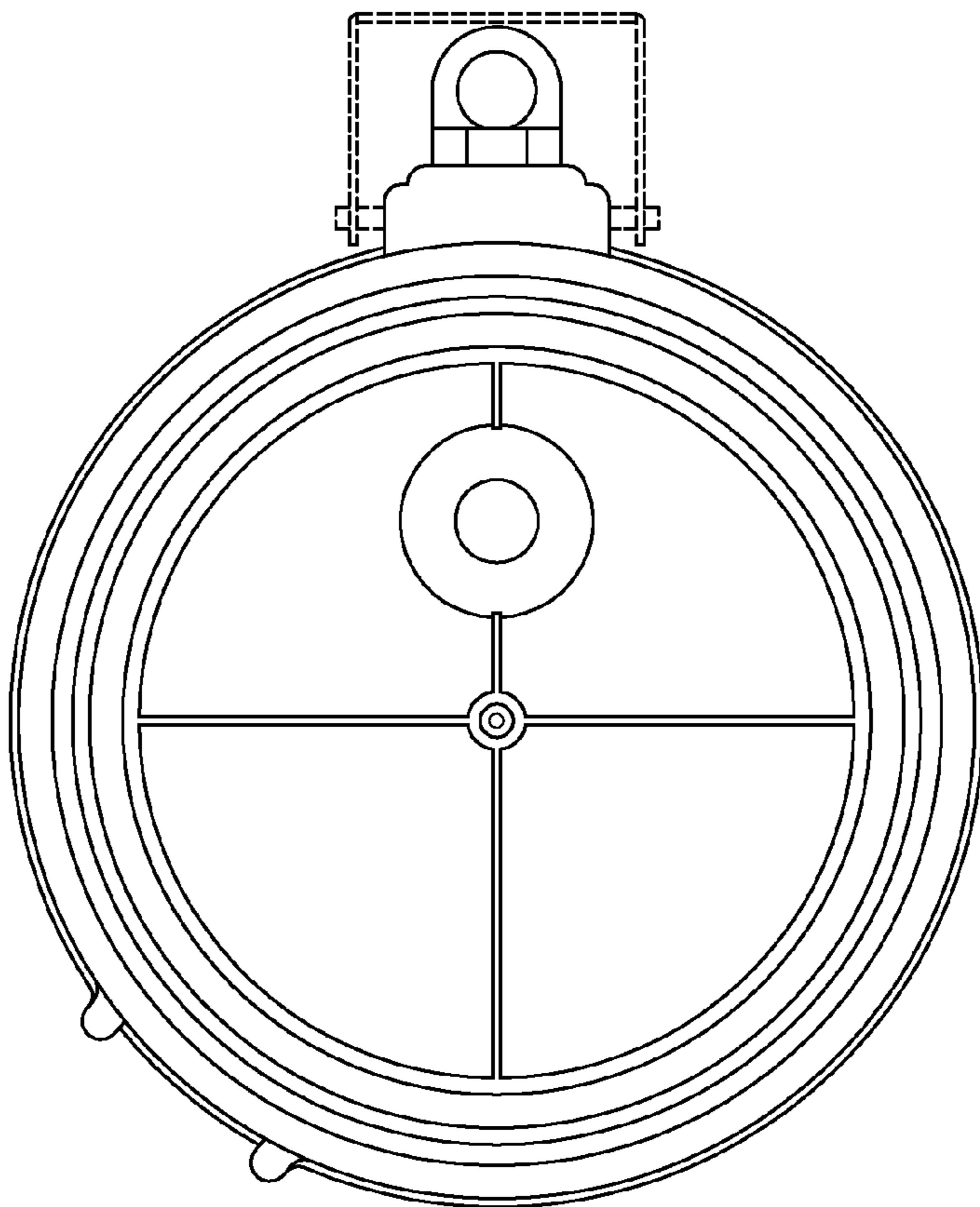


FIG. 5

FIG. 7

