



US00D581253S

(12) **United States Design Patent**
Antonic

(10) **Patent No.:** **US D581,253 S**

(45) **Date of Patent:** **** Nov. 25, 2008**

(54) **STUD MOUNT**

(76) **Inventor:** **James P. Antonic**, 9111 Southmont
Cove #406, Ft. Myers, FL (US) 33908

(**) **Term:** **14 Years**

(21) **Appl. No.:** **29/293,265**

(22) **Filed:** **Nov. 13, 2007**

Related U.S. Application Data

(63) Continuation of application No. 11/116,769, filed on
Apr. 28, 2005.

(51) **LOC (8) Cl.** **08-05**

(52) **U.S. Cl.** **D8/354**

(58) **Field of Classification Search** D8/349,
D8/354, 353, 373; D25/126, 133; D12/223;
248/218.4, 219.1–219.3, 247, 251, 300, 309.1,
248/310, 346.01, 346.5, 521, 648.1, 653.1,
248/736.1, 736.2; 52/653.1

See application file for complete search history.

(56) **References Cited**

U.S. PATENT DOCUMENTS

2,731,116 A	1/1956	Allison
3,184,013 A	5/1965	Pavlecka
3,498,014 A	3/1970	Fergen
3,821,868 A	7/1974	Edwards
4,235,054 A	11/1980	Cable
4,272,930 A	6/1981	Foster
4,324,082 A	4/1982	Rutkowski et al.
4,353,192 A	10/1982	Pearson et al.
4,542,614 A	9/1985	Malachowski
D283,352 S	4/1986	Bancroft
D286,199 S	10/1986	Bancroft
4,630,547 A	12/1986	Przybylinski et al.
4,660,339 A	4/1987	Paz

D318,130 S	7/1991	Abbestam et al.
5,070,667 A	12/1991	Schulte
5,394,665 A	3/1995	Johnson
5,403,062 A	4/1995	Sjostedt et al.
D363,997 S	11/1995	Nomura
D371,208 S	6/1996	De Zen

(Continued)

OTHER PUBLICATIONS

U.S. Appl. No. 29/273,325, filed Mar. 2, 2007, Huggins

(Continued)

Primary Examiner—Holly H. Baynham

Assistant Examiner—Cynthia M Chin

(74) *Attorney, Agent, or Firm*—Laura Barrow

(57) **CLAIM**

The ornamental design for a stud mount, as shown and described.

DESCRIPTION

FIG. 1 is a perspective view of the stud mount showing my new design. The exemplary structural stud shown in phantom is for illustrative purposes only, namely to show the intended use of the stud mount, and thus forms no part of the claimed design.

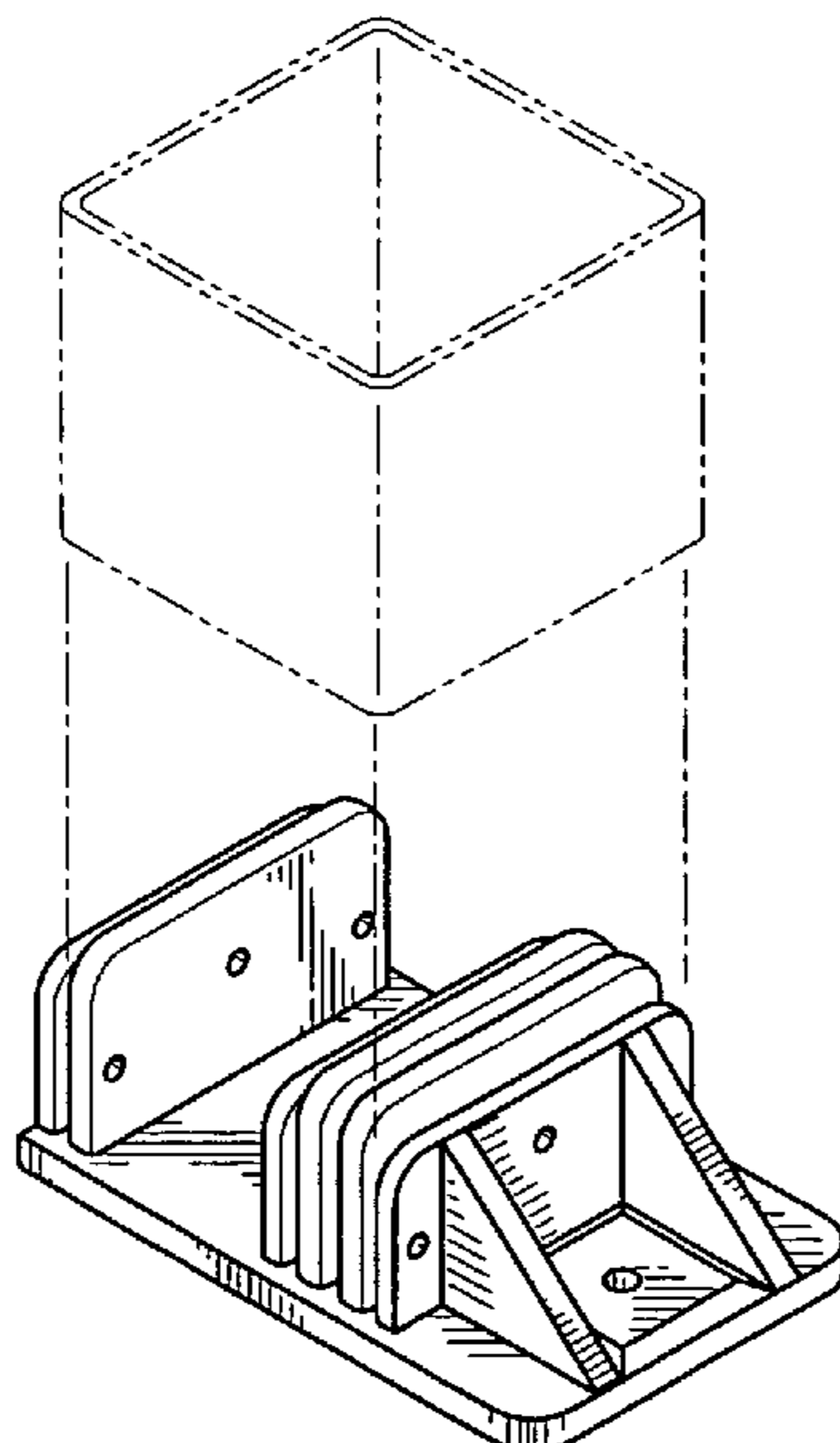
FIG. 2 is a side elevation view of the design shown in FIG. 1, the opposite side view being a mirror image thereof.

FIG. 3 is a top plan view of the design shown in FIG. 1; and, FIG. 4 is a bottom plan view of the design shown in FIG. 4.

The shading lines shown in all of the drawings represent the three-dimensional contour of the design, and are not intended to indicate surface decoration.

The broken lines are for illustrative purposes only and form no part of the claimed design.

1 Claim, 1 Drawing Sheet



US D581,253 S

Page 2

U.S. PATENT DOCUMENTS

D371,505	S *	7/1996	Young	D8/349	6,789,358	B2	9/2004	Procton et al.	
5,561,955	A	10/1996	Frobosilo et al.			6,802,169	B2 *	10/2004	Simmons 52/648.1
5,611,173	A	3/1997	Headrick et al.			6,837,012	B2	1/2005	Scherrer et al.	
5,644,888	A	7/1997	Johnson			D511,086	S	11/2005	Craine	
D384,169	S	9/1997	Leonelli			D511,217	S	11/2005	Bullock et al.	
5,678,797	A *	10/1997	Gogan	248/251	D523,565	S	6/2006	Antonic	
5,706,626	A	1/1998	Mueller			D523,735	S	6/2006	Craine	
5,735,090	A	4/1998	Papke			D537,537	S	2/2007	Antonic	
5,794,746	A	8/1998	Ketonen et al.			7,178,305	B2	2/2007	Petrova	
5,797,233	A	8/1998	Hascall			D540,479	S	4/2007	Antonic	
5,802,798	A	9/1998	Martens			7,207,148	B2 *	4/2007	Surowiecki 52/653.1
5,848,512	A	12/1998	Conn			D544,784	S	6/2007	Antonic	
D407,828	S	4/1999	Hart			D549,851	S	8/2007	Antonic	
5,927,039	A	7/1999	De Boer			D553,261	S	10/2007	Antonic	
5,930,968	A	8/1999	Pullam			D553,761	S	10/2007	Antonic	
5,950,385	A	9/1999	Herren			D554,273	S	10/2007	Antonic	
6,003,279	A	12/1999	Schneider			D554,773	S	11/2007	Antonic	
D423,690	S	4/2000	Grosfillex			D554,774	S	11/2007	Antonic	
6,067,769	A	5/2000	Hardy			D554,775	S	11/2007	Antonic	
6,092,340	A	7/2000	Simmons			D555,259	S	11/2007	Antonic	
D432,671	S	10/2000	Grosfillex			D561,353	S	2/2008	Antonic	
6,216,395	B1	4/2001	Kelly			D561,354	S	2/2008	Antonic	
6,223,494	B1 *	5/2001	Bright	52/653.1	D561,355	S	2/2008	Antonic	
6,260,601	B1	7/2001	Thomas			2002/0069600	A1	6/2002	Bryant	
D446,870	S	8/2001	Gardner			2002/0092245	A1	7/2002	Floyd et al.	
6,272,796	B1	8/2001	Metzler			2002/0148178	A1	10/2002	Farag	
6,276,094	B1	8/2001	Hays			2003/0089066	A1	5/2003	Nelson	
D447,574	S	9/2001	Fening			2006/0026924	A1 *	2/2006	Madsen 52/653.1
6,314,704	B1	11/2001	Bryant			2006/0207209	A1 *	9/2006	Metroyanis et al. 52/653.1
D452,016	S	12/2001	Hall			2006/0254167	A1	11/2006	Antonic	
6,341,458	B1	1/2002	Burt			2007/0051059	A1	3/2007	Ahern	
6,427,403	B1	8/2002	Tambakis			2007/0094992	A1	5/2007	Antonic	
6,438,903	B1	8/2002	Weiss			2007/0193143	A1	8/2007	Antonic	
6,519,911	B1	2/2003	Sawada							
D473,955	S	4/2003	Gregori							
6,553,731	B2	4/2003	Hsueh							
D474,286	S	5/2003	Gregori							
D474,549	S	5/2003	Krieger							
6,581,337	B1	6/2003	Skov et al.							
6,684,573	B2	2/2004	Heath et al.							
6,739,562	B2 *	5/2004	Rice	248/247					
6,754,999	B1	6/2004	Urbanczyk							

OTHER PUBLICATIONS

PCT written opinion (PCT/US03/39743—Sep. 25, 2007 (11 pages total).

U.S. Appl. No. 29/273,728, filed Mar. 12, 2007, Antonic.

U.S. Appl. No. 29/273,324, filed Mar. 2, 2007, Antonic.

U.S. Appl. No. 29/273,782, filed Mar. 13, 2007, Green.

U.S. Appl. No. 29/293,249, filed Nov. 13, 2007, Antonic.

U.S. Appl. No. 12/005,528, filed Dec. 27, 2007, Antonic.

* cited by examiner

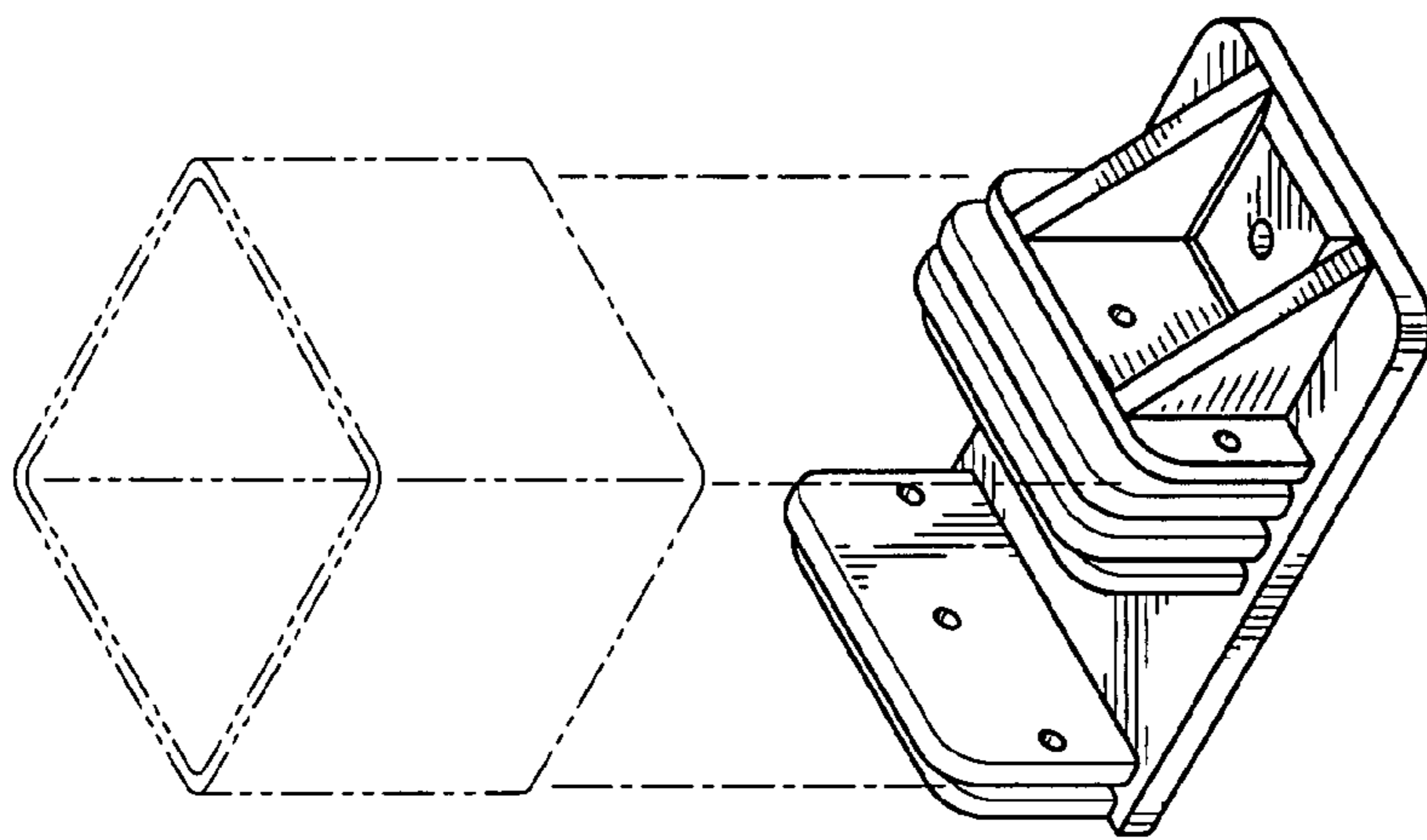


Fig. 1

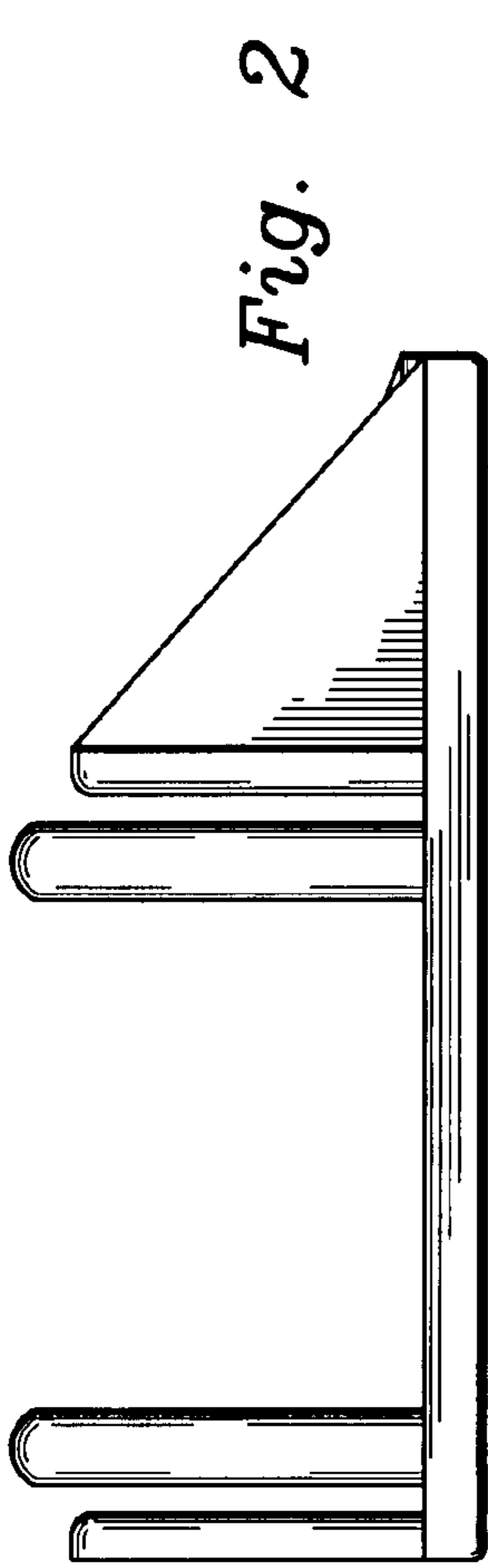


Fig. 2

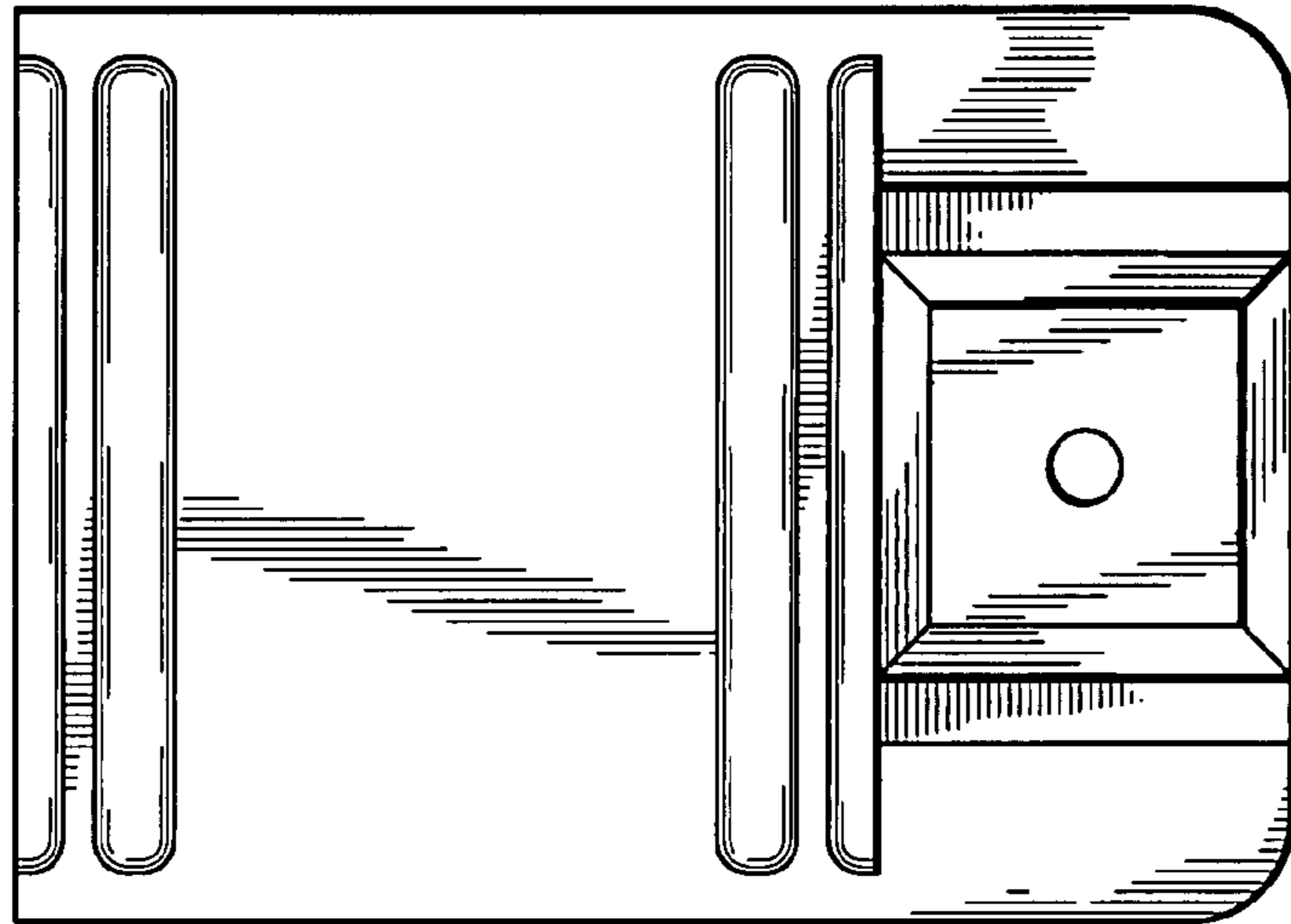


Fig. 3

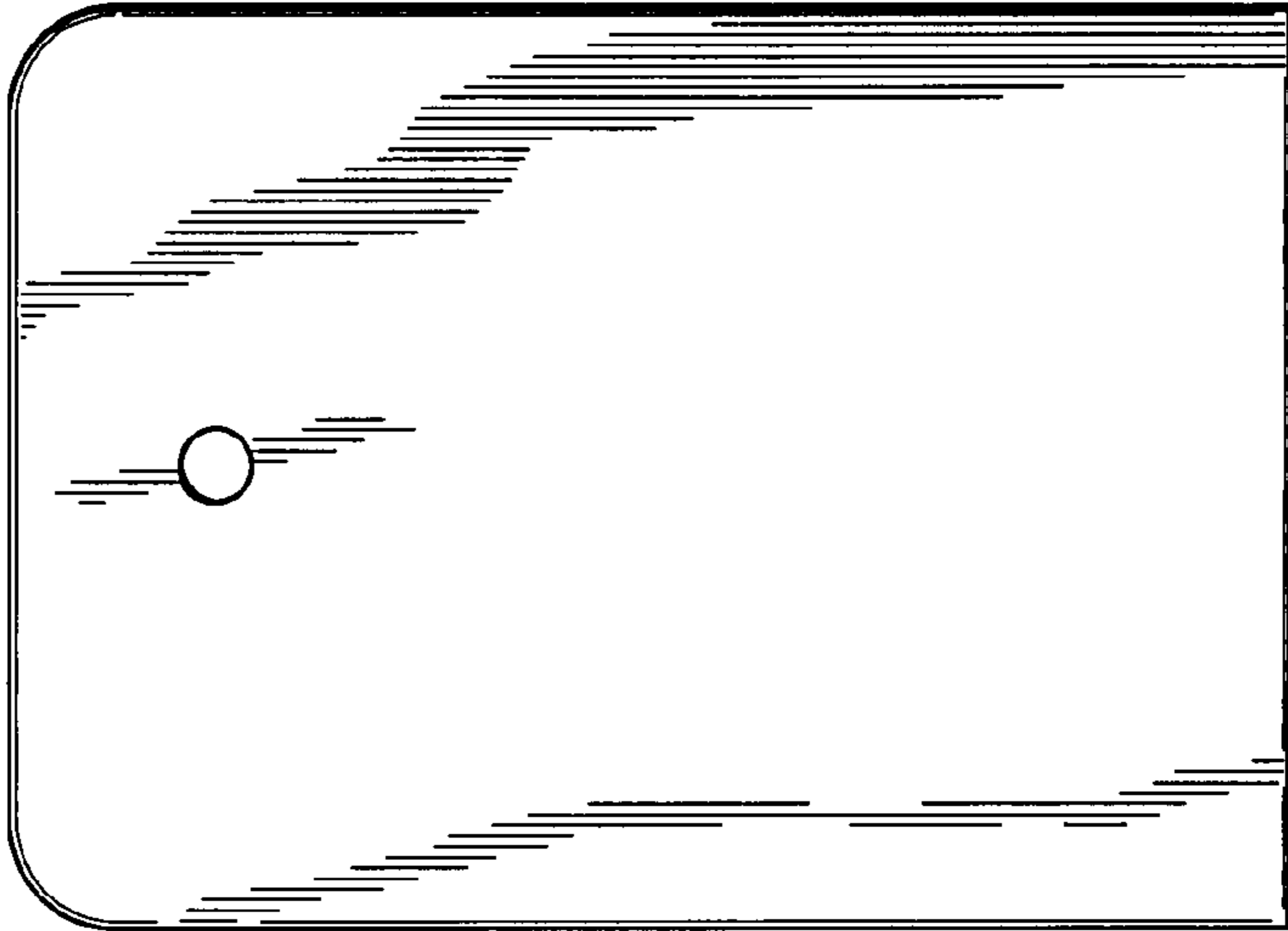


Fig. 4