



US00D581252S

(12) **United States Design Patent**
Short

(10) **Patent No.:** **US D581,252 S**

(45) **Date of Patent:** **** Nov. 25, 2008**

(54) **MOUNTING BRACKET**

(75) Inventor: **Mark Short**, West Midlands (GB)

(73) Assignee: **AVF Group Limited**, Telford,
Shropshire (GB)

(**) Term: **14 Years**

(21) Appl. No.: **29/291,348**

(22) Filed: **Aug. 24, 2007**

(51) **LOC (8) Cl.** **08-05**

(52) **U.S. Cl.** **D8/354; D8/363**

(58) **Field of Classification Search** D8/363,
D8/354; D14/451-452; 248/274.1, 278.1,
248/284.1

See application file for complete search history.

(56) **References Cited**

U.S. PATENT DOCUMENTS

D494,183	S *	8/2004	Wills et al.	D14/452
2002/0011544	A1 *	1/2002	Bosson	248/121
2004/0011932	A1 *	1/2004	Duff	248/157
2004/0262474	A1 *	12/2004	Boks et al.	248/276.1
2005/0035253	A1 *	2/2005	Rixom	248/284.1

2005/0092873	A1 *	5/2005	Lin	248/125.9
2005/0127261	A1 *	6/2005	Lin	248/288.51
2005/0258321	A1 *	11/2005	Worrall et al.	248/201

* cited by examiner

Primary Examiner—Holly H Baynham

(74) *Attorney, Agent, or Firm*—Wells St. John, P.S.

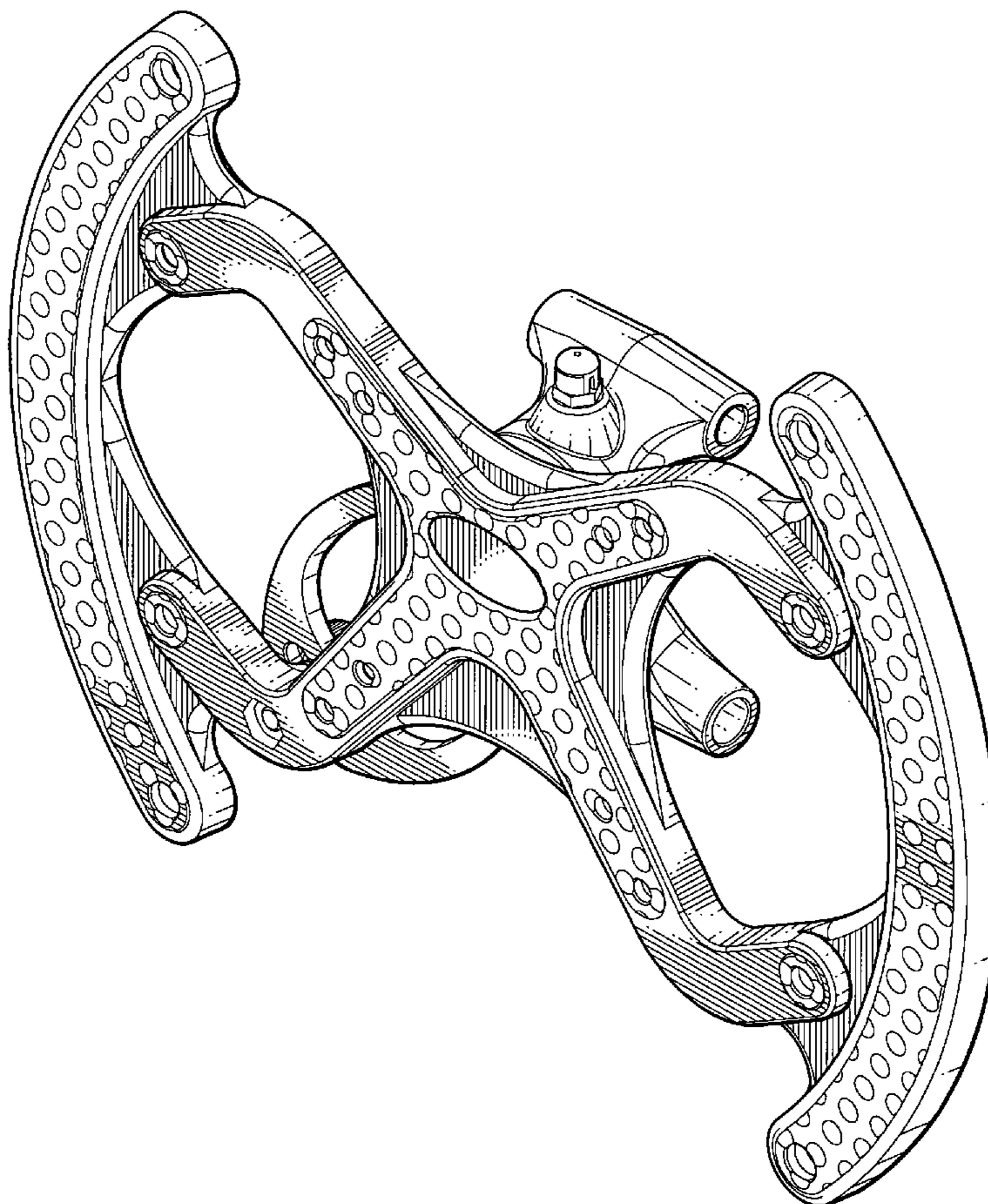
(57) **CLAIM**

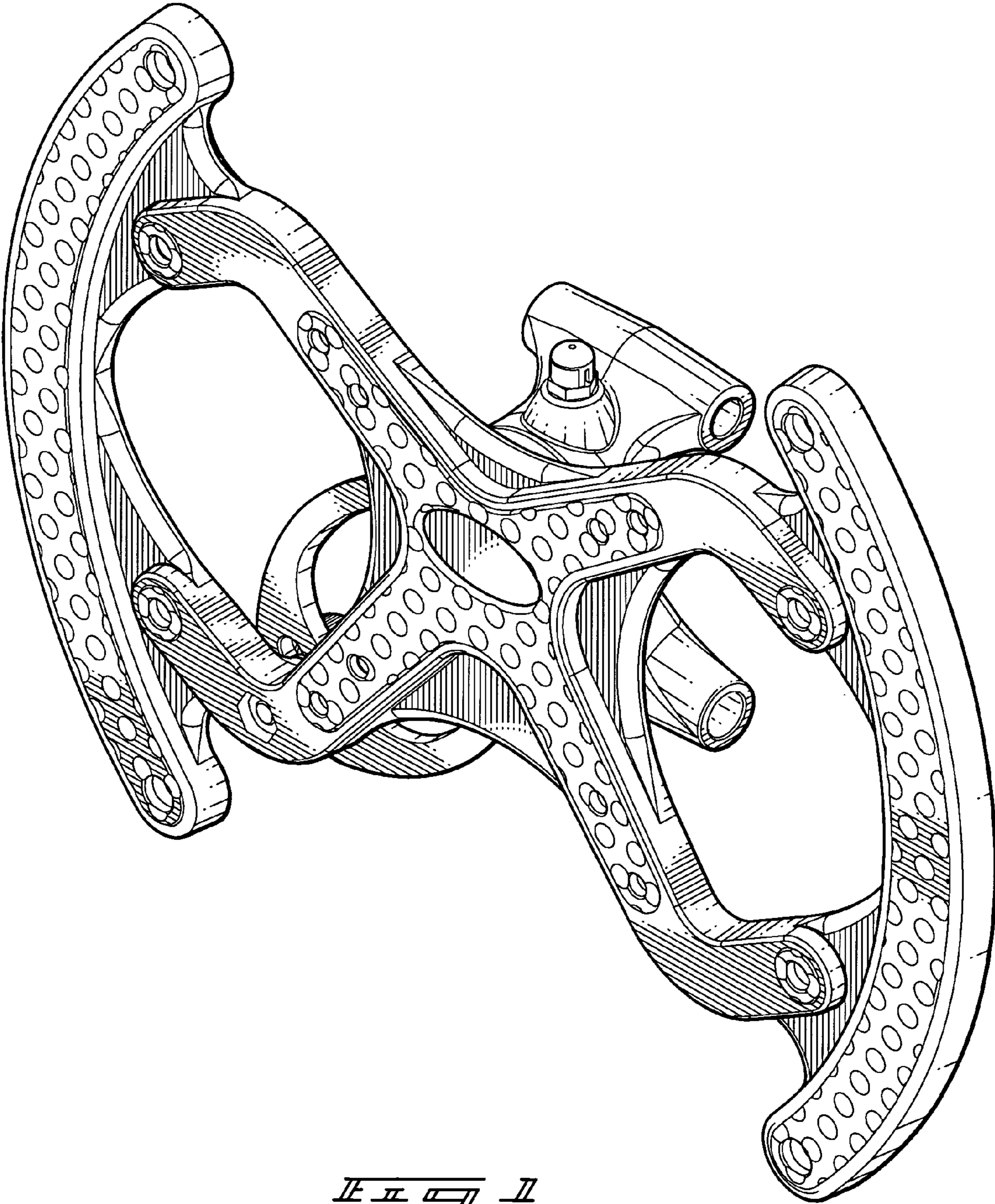
The ornamental design for a ‘mounting bracket,’ as shown herein.

DESCRIPTION

FIG. 1 is a front perspective view of the mounting bracket;
 FIG. 2 is an inverted rear view of the mounting bracket;
 FIG. 3 is a top plan view of the mounting bracket;
 FIG. 4 is a front view of the mounting bracket;
 FIG. 5 is an underneath plan view of the mounting bracket;
 FIG. 6 is a view from one side of the mounting bracket;
 FIG. 7 is a view from the opposite side of the mounting bracket; and,
 FIG. 8 is a rear perspective view of the mounting bracket.

1 Claim, 5 Drawing Sheets





II II II II II

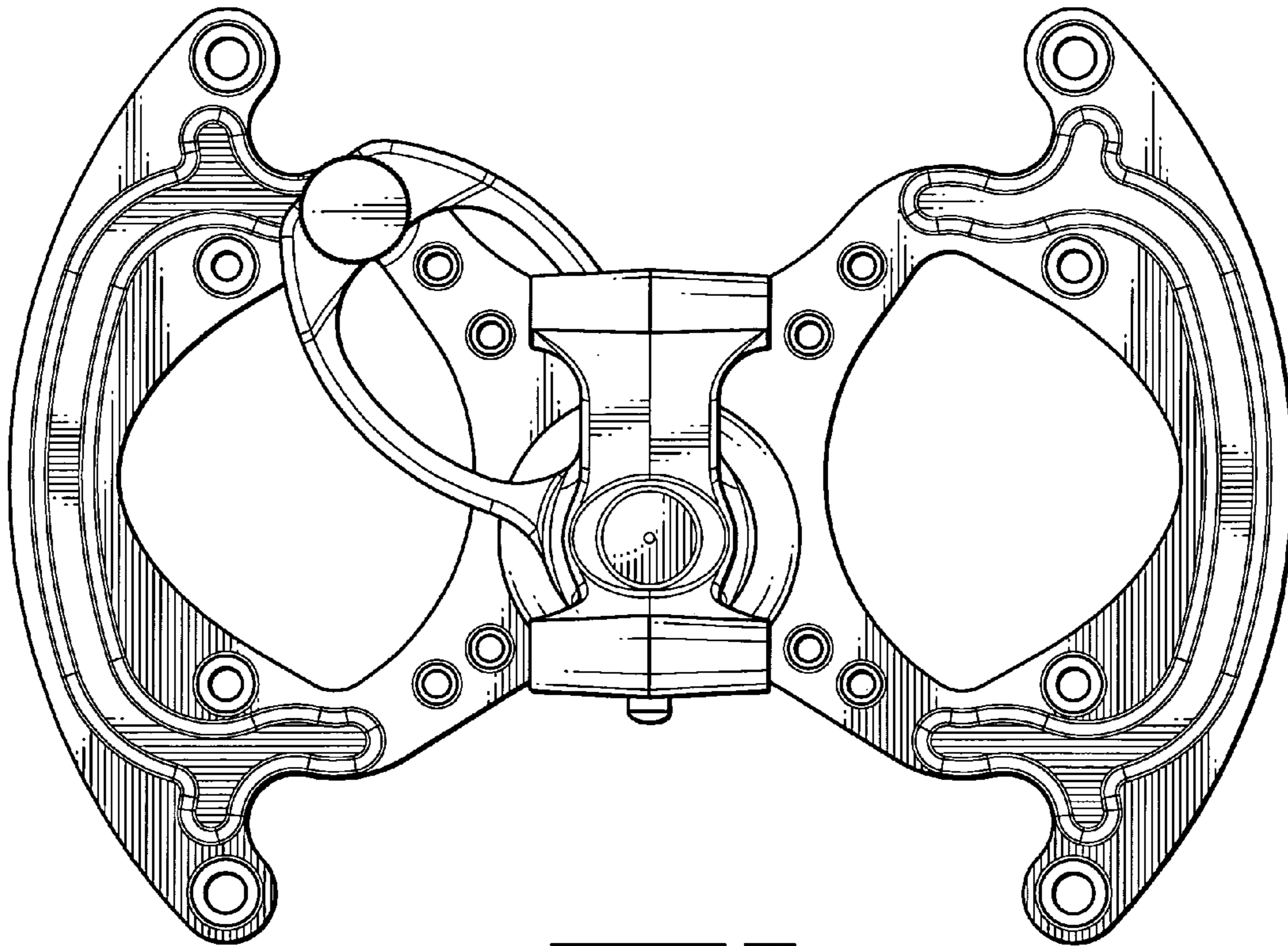


Fig. 2

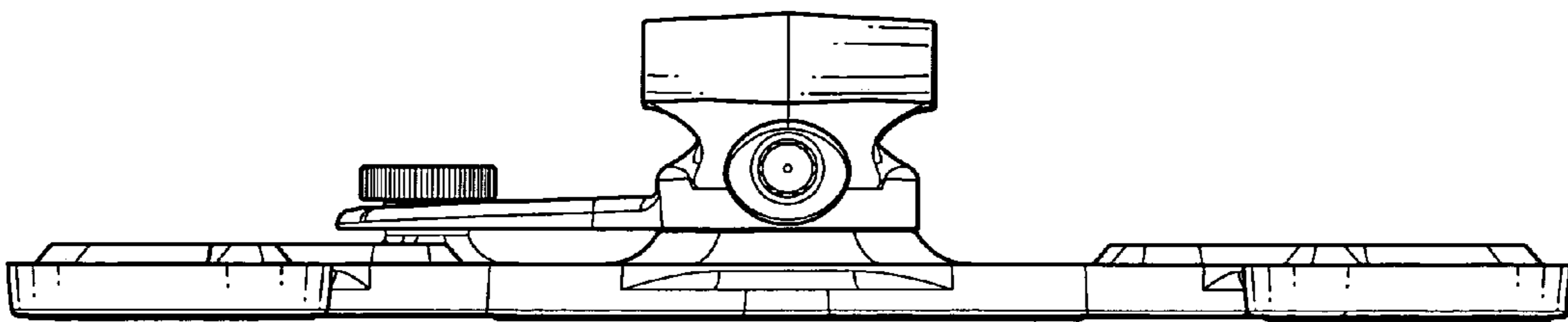


Fig. 3

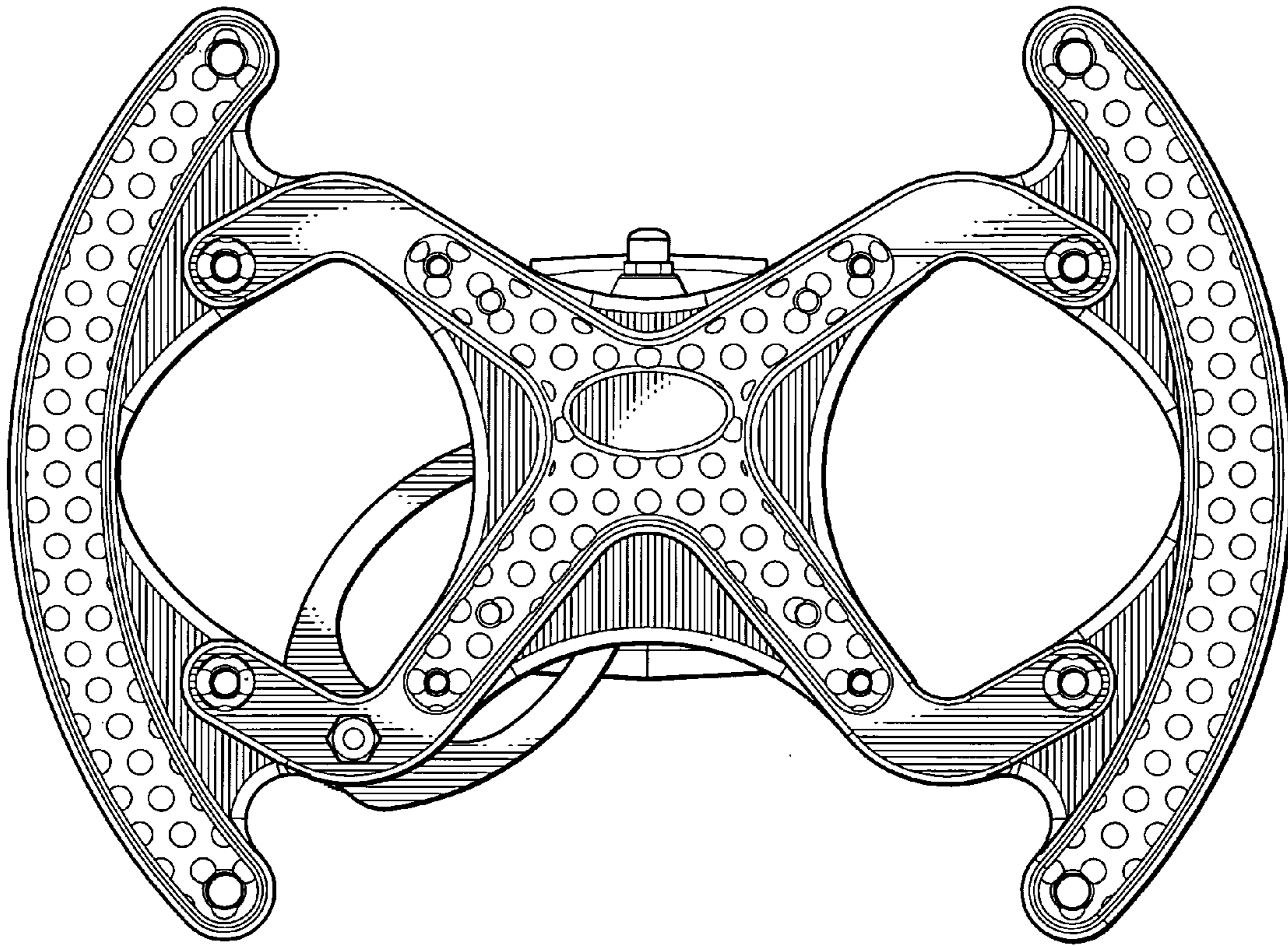


FIG. 4

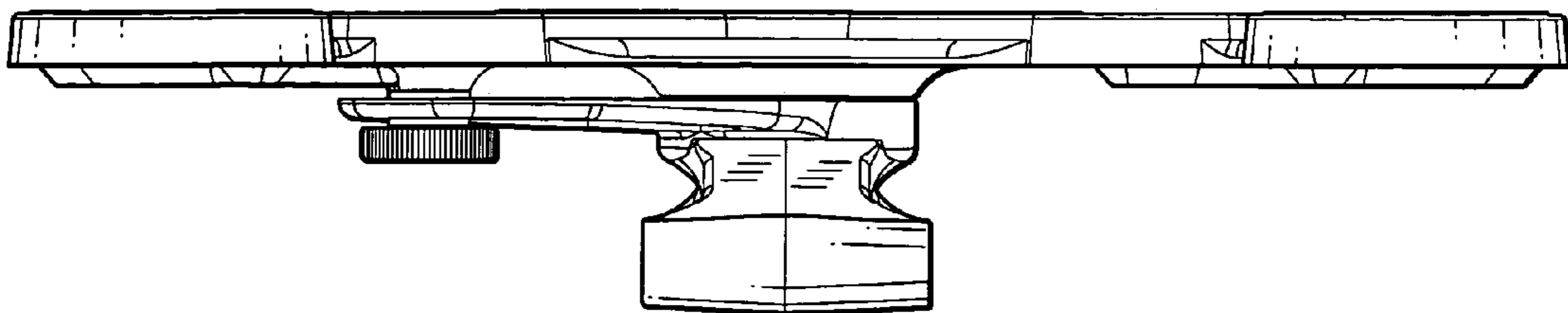


FIG. 5

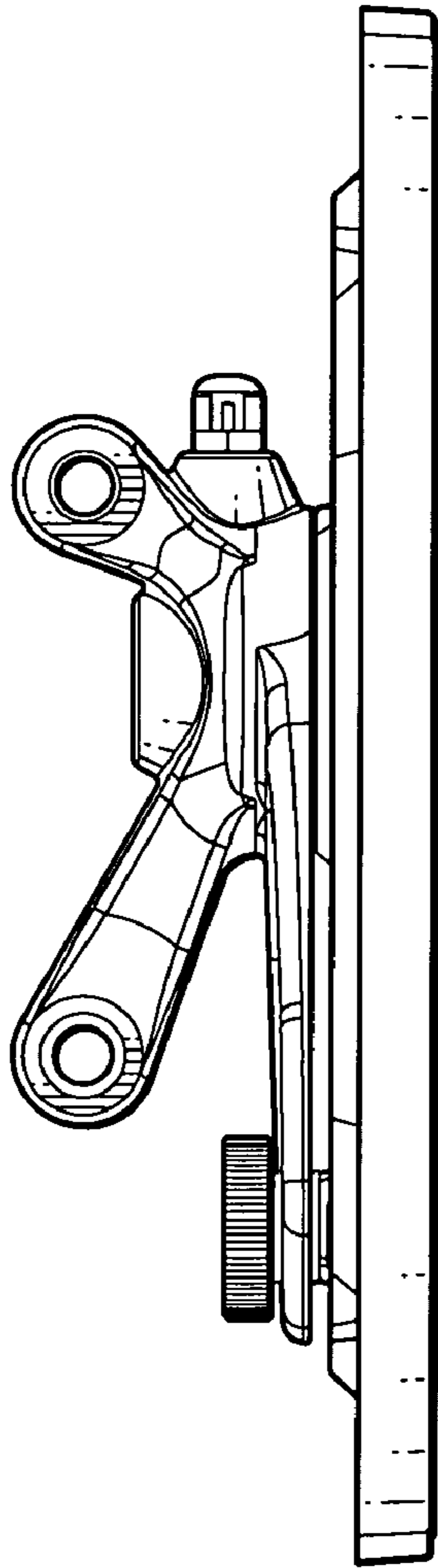


Fig. 1

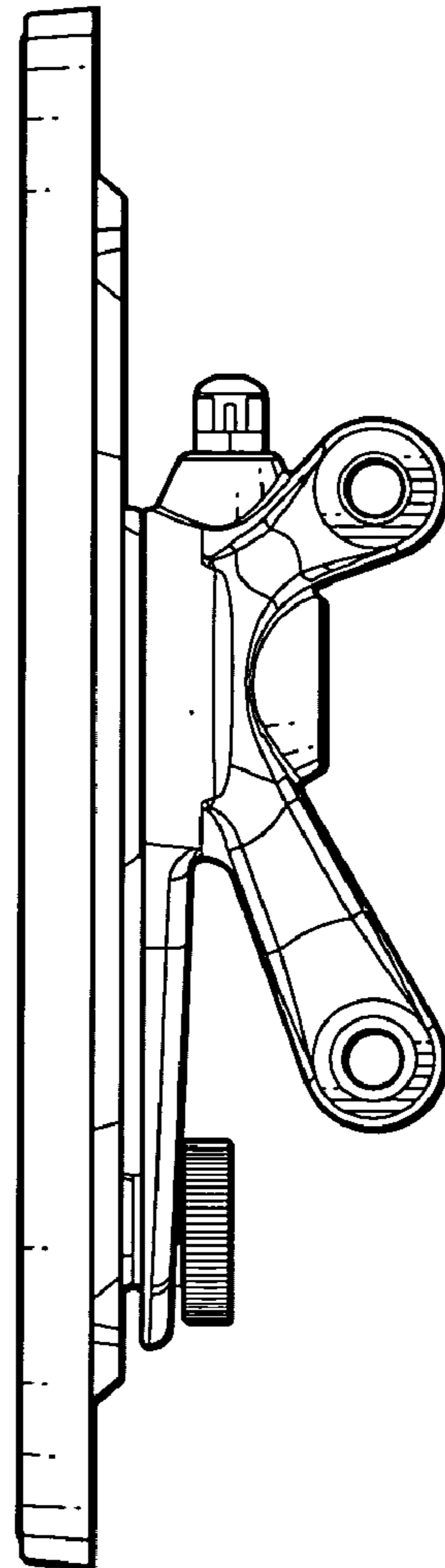
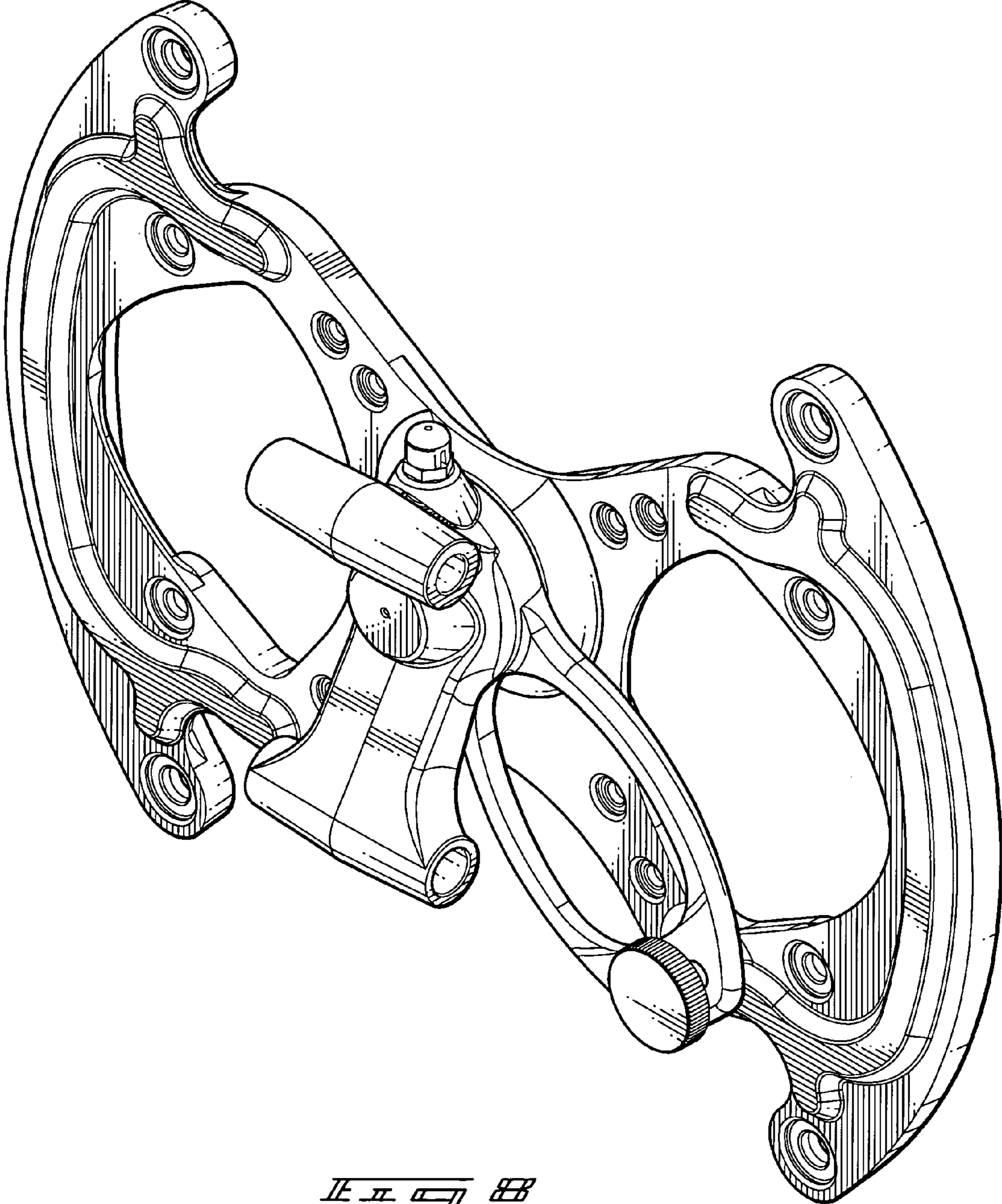


Fig. 2



止 正 四 〇 〇 〇 〇〇