



US00D581251S

(12) **United States Design Patent**
Bucci

(10) **Patent No.:** **US D581,251 S**

(45) **Date of Patent:** **** Nov. 25, 2008**

(54) **DEVICE FOR SUPPORTING AN OBJECT**

(76) **Inventor:** **Michael Bucci**, 5720 Oak Mill Ct., Glen Allen, VA (US) 23059

(**) **Term:** **14 Years**

(21) **Appl. No.:** **29/283,426**

(22) **Filed:** **Aug. 14, 2007**

(51) **LOC (8) Cl.** **08-05**

(52) **U.S. Cl.** **D8/354**

(58) **Field of Classification Search** D8/349,
D8/354, 380, 382, 388, 400, 402, 499; D21/505;
D11/131, 131.1, 157; D25/15, 26; D6/474;
211/41.16; 229/113, 114, 116; 273/153 P,
273/153 S, 157 R; 446/121, 125; 248/346.01,
248/546, 694, 126, 176.1; 434/211; D10/109
See application file for complete search history.

(56) **References Cited**

U.S. PATENT DOCUMENTS

- 2,483,734 A * 10/1949 Neal 116/63 R
- D206,635 S * 1/1967 Walter D10/109
- 3,565,442 A * 2/1971 Klein 273/157 R
- 3,782,029 A * 1/1974 Bardot 446/121
- D231,787 S * 6/1974 Burnley D30/107
- D242,640 S * 12/1976 Mosher D11/157
- 4,026,087 A * 5/1977 White 52/608
- D261,373 S * 10/1981 Fisher D11/131
- D263,255 S * 3/1982 Zima D25/26
- 4,354,288 A * 10/1982 Dennis 5/400

- D267,588 S * 1/1983 Goodell D25/15
- 4,461,480 A * 7/1984 Mitchell 273/153 S
- D275,889 S * 10/1984 Nelson D25/15
- 4,848,263 A * 7/1989 Grimm 116/63 C
- 5,297,012 A * 3/1994 Fletcher 362/252
- D367,384 S * 2/1996 DiFranco et al. D6/474
- 5,769,598 A * 6/1998 MacNeil 414/800
- D409,687 S * 5/1999 Mak D21/505
- D445,721 S * 7/2001 McLeish et al. D11/131.1
- D514,971 S * 2/2006 Burch et al. D10/109
- D522,348 S * 6/2006 Hansen D8/354
- D551,116 S * 9/2007 Devory, Jr. D11/131
- 2005/0014112 A1 * 1/2005 Fentress 434/211

* cited by examiner

Primary Examiner—Holly H Baynham

Assistant Examiner—Cynthia M Chin

(74) *Attorney, Agent, or Firm*—Thomas & Raring, P.C.

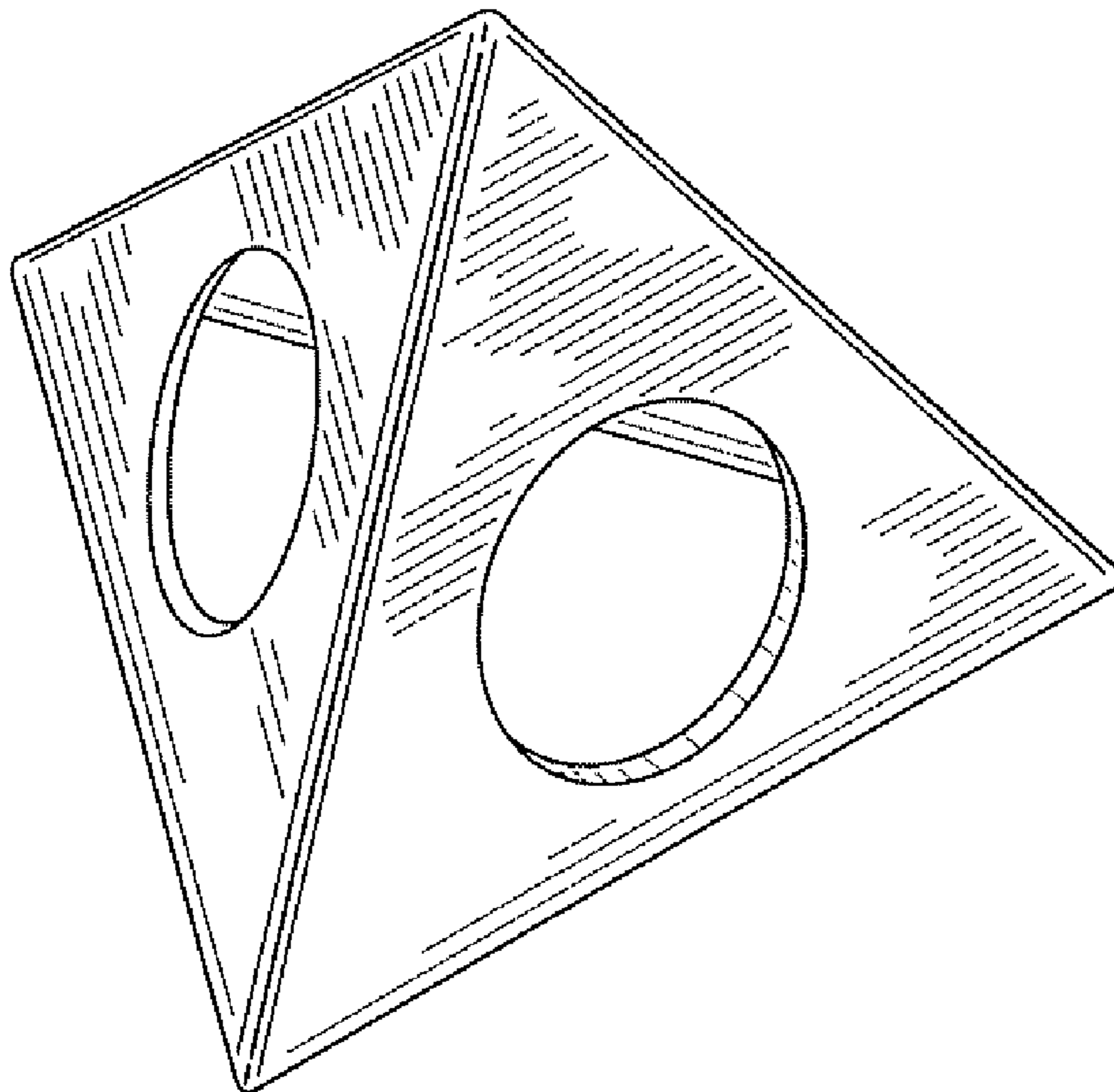
(57) **CLAIM**

I claim the ornamental design for a device for supporting an object, as shown and described.

DESCRIPTION

FIG. 1 is a perspective view as seen from the front and top side of a device for supporting an object showing the new design; FIG. 2 is a front elevational view thereof; FIG. 3 is a rear elevational view thereof; FIG. 4 is a top view thereof; and, FIG. 5 is a bottom view thereof.

1 Claim, 3 Drawing Sheets



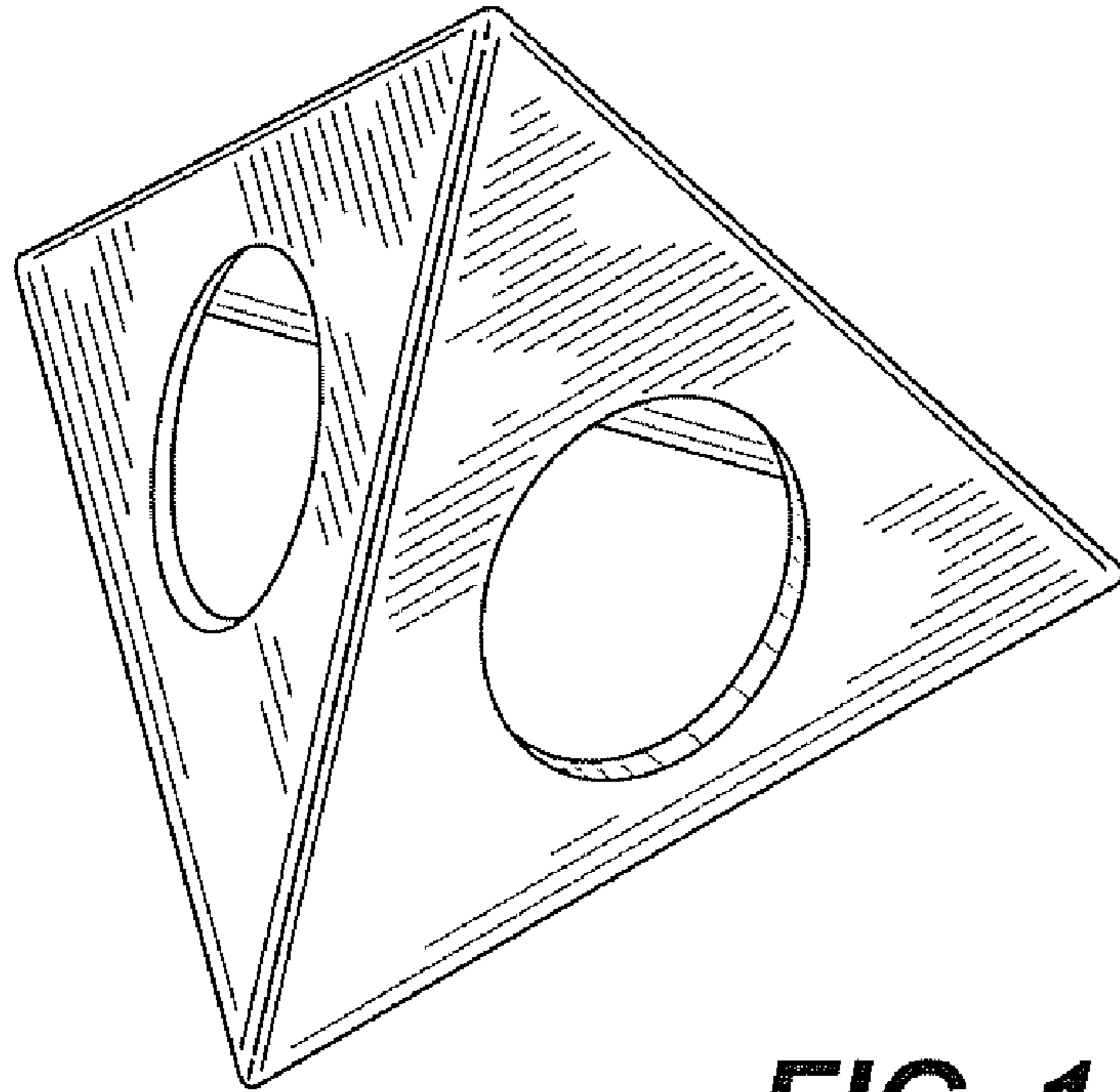


FIG. 1

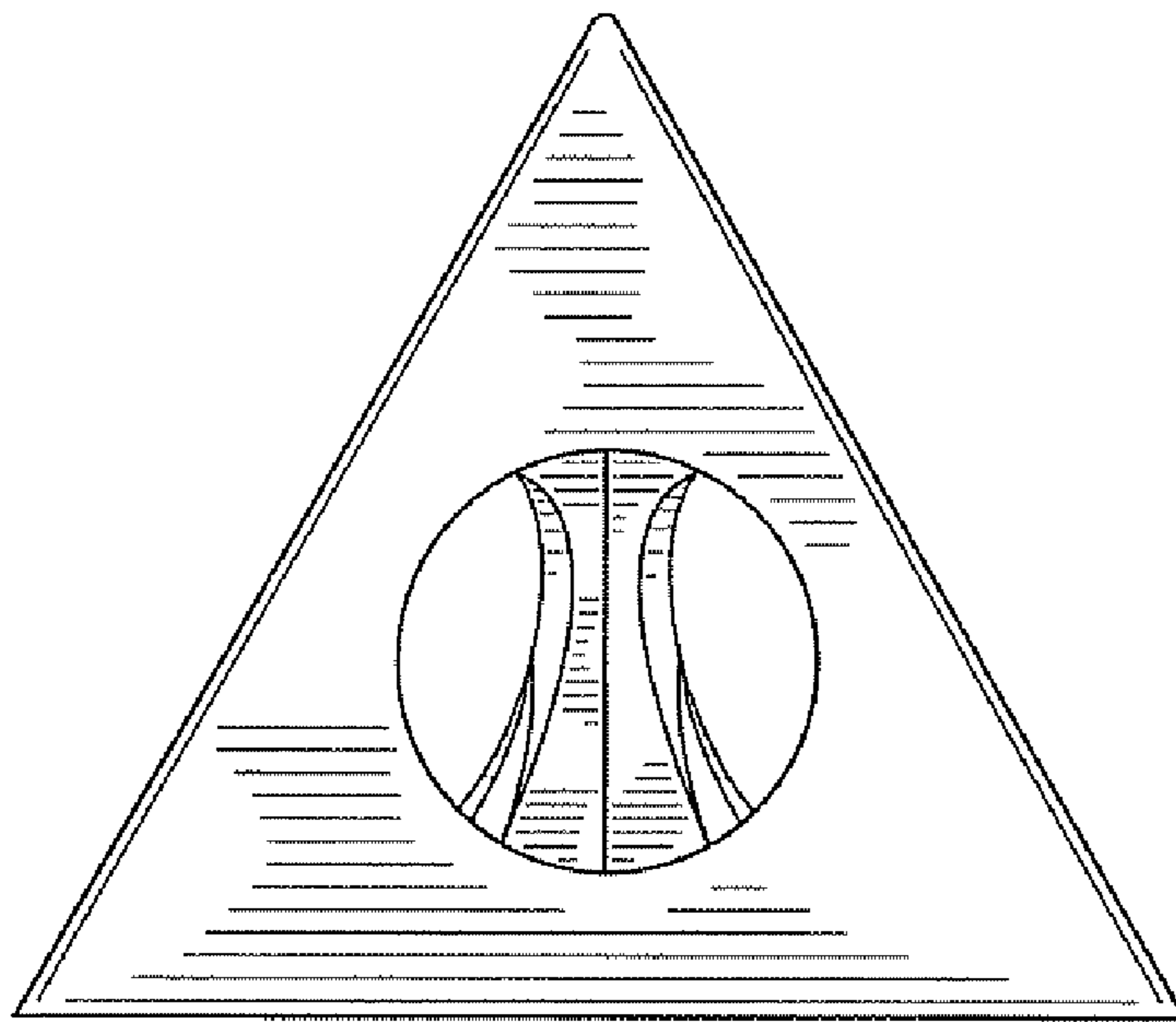


FIG. 2

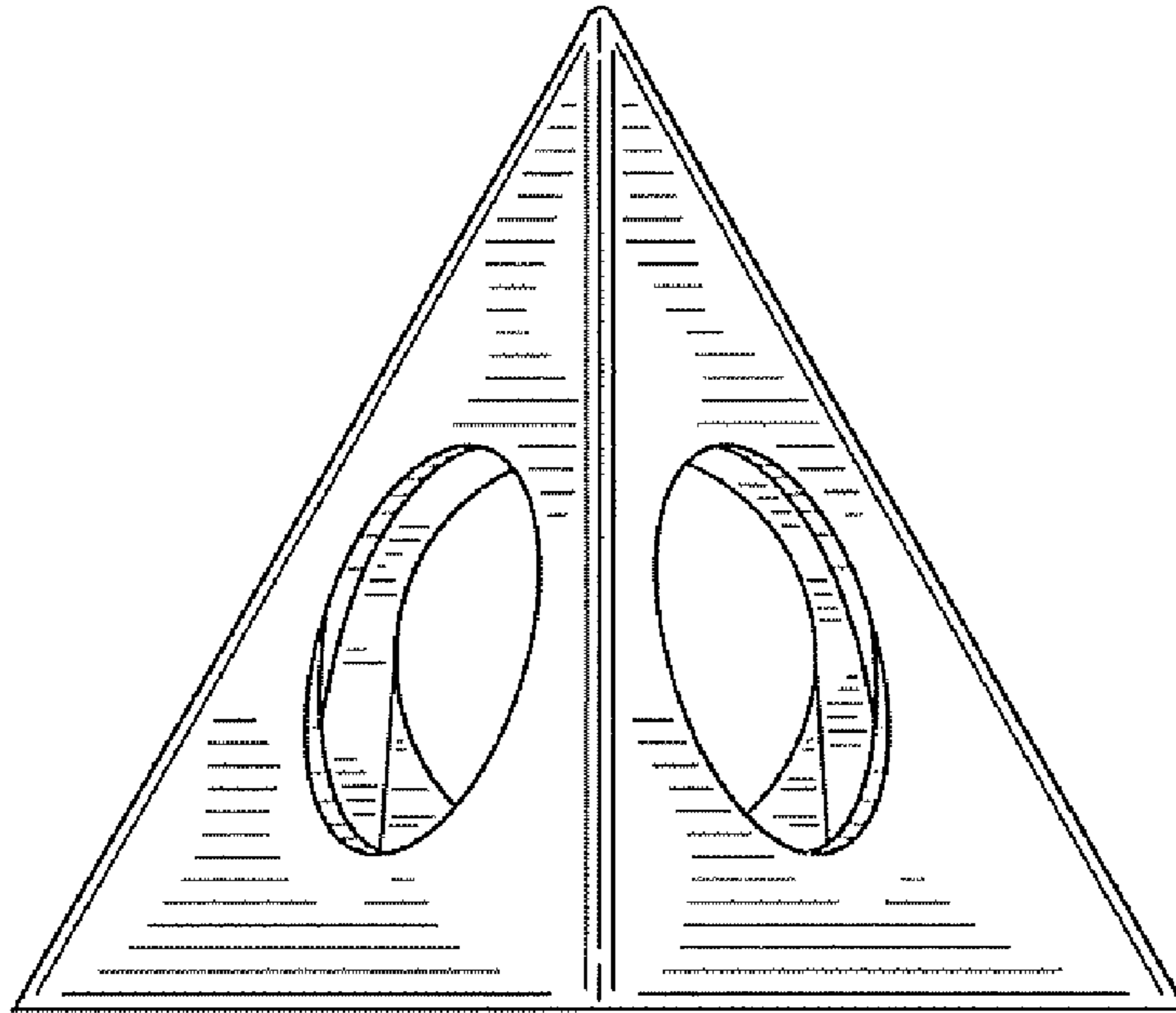


FIG. 3

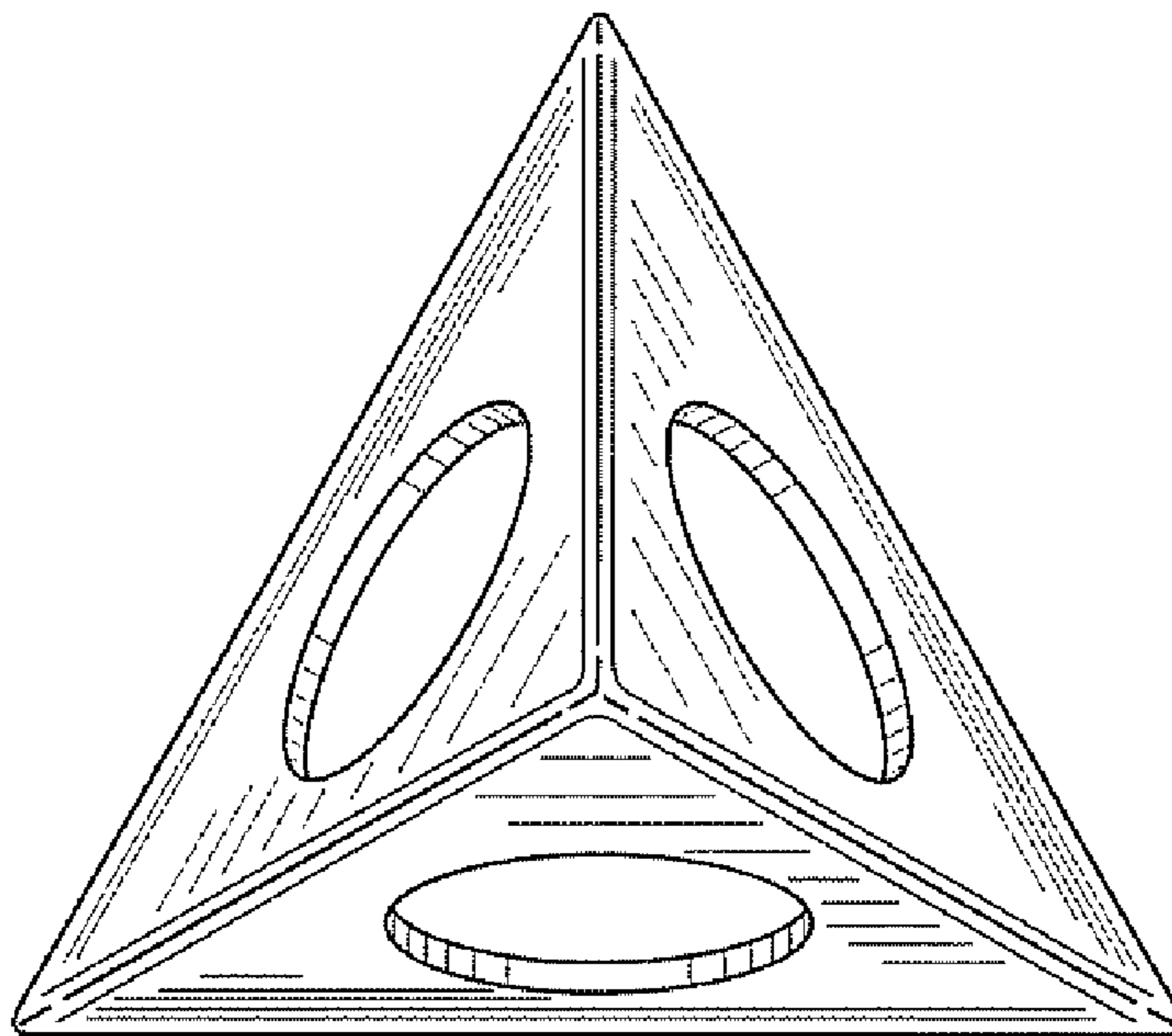


FIG. 4

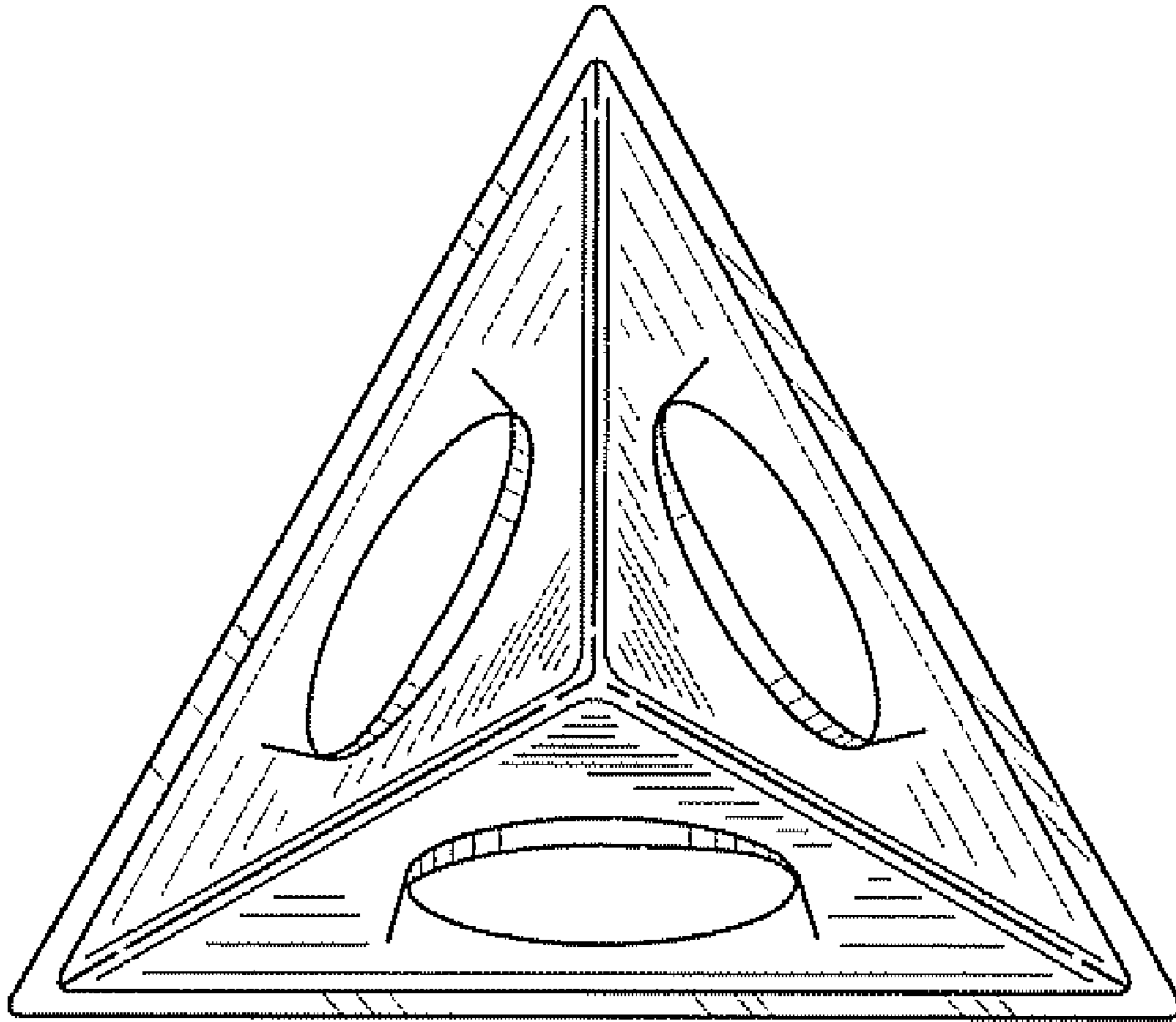


FIG. 5