



US00D581250S

(12) **United States Design Patent**
Florent

(10) **Patent No.:** **US D581,250 S**

(45) **Date of Patent:** **** Nov. 25, 2008**

(54) **CEILING MOUNT**

(75) Inventor: **Bertrand Florent**, Boucherville (CA)

(73) Assignee: **Les Entreprises Électriques Bertrand Florent Enr.**, Boucherville (CA)

(**) Term: **14 Years**

(21) Appl. No.: **29/304,623**

(22) Filed: **Mar. 5, 2008**

(51) **LOC (8) Cl.** **08-05**

(52) **U.S. Cl.** **D8/349**

(58) **Field of Classification Search** D8/349,
D8/354, 367, 370, 371, 373, 392, 382, 395;
248/300, 319, 339, 200; 52/712, 714-716

See application file for complete search history.

(56) **References Cited**

U.S. PATENT DOCUMENTS

4,027,454	A *	6/1977	Schuplin	52/714
D309,706	S *	8/1990	Propp	D8/354
D355,354	S *	2/1995	Sterling	D8/382
5,423,507	A	6/1995	Florent et al.		

5,967,480	A *	10/1999	Kirschner	248/300
D421,897	S *	3/2000	Washecheck et al.	D8/395
D465,997	S *	11/2002	Kalat	D8/370
D563,770	S *	3/2008	Payne, Jr.	D8/354
2006/0208146	A1	9/2006	Florent		

* cited by examiner

Primary Examiner—Holly H. Baynham

Assistant Examiner—Cynthia M Chin

(74) *Attorney, Agent, or Firm*—Goudreau Gage Dubuc

(57) **CLAIM**

The ornamental design for a ceiling mount, as shown and described.

DESCRIPTION

FIG. 1 is a perspective view of a ceiling mount;

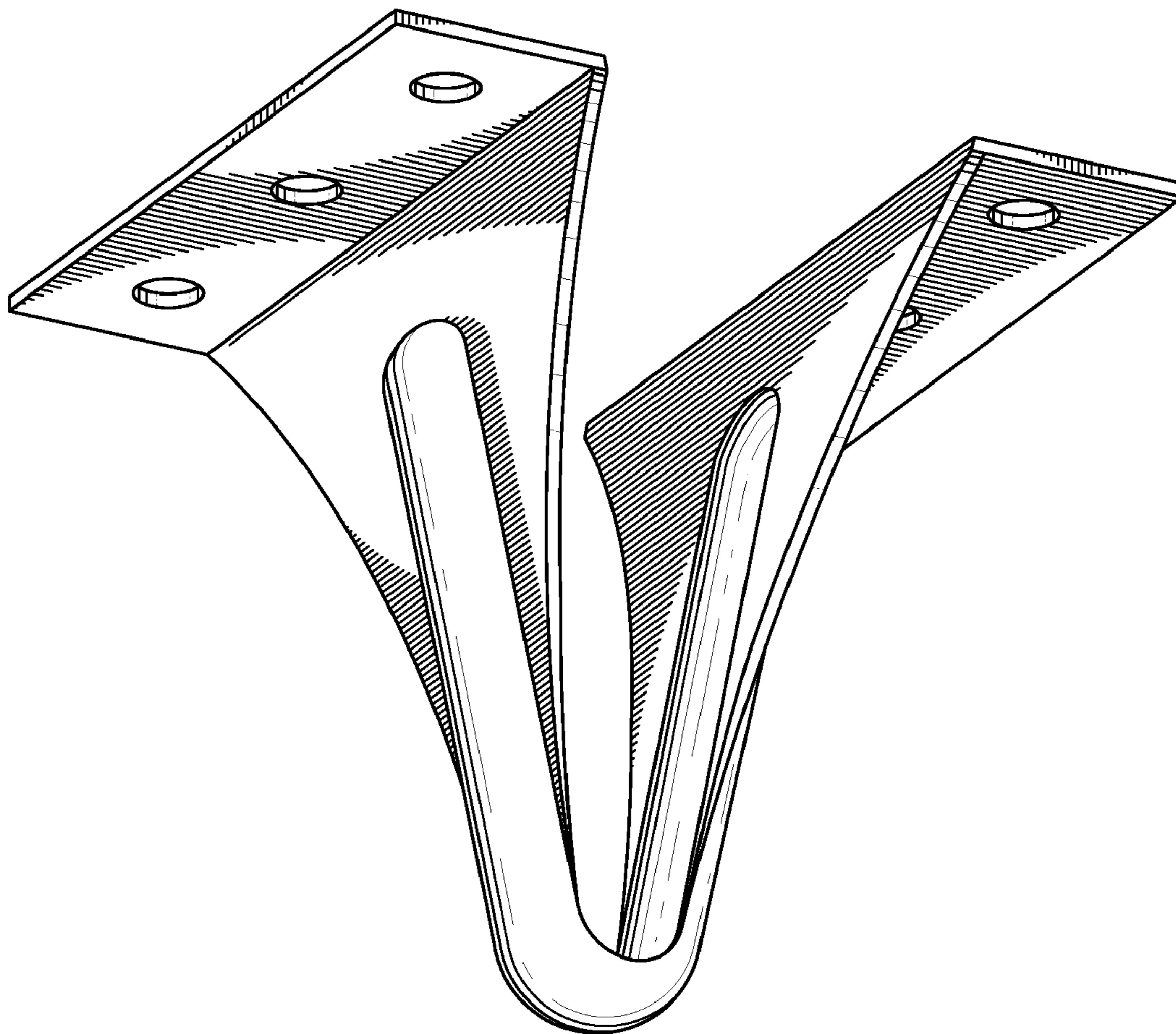
FIG. 2 is a front view of the ceiling mount;

FIG. 3 is a side view of the ceiling mount;

FIG. 4 is a top view of the ceiling mount; and,

FIG. 5 is a view from the exterior of the ceiling mount.

1 Claim, 5 Drawing Sheets



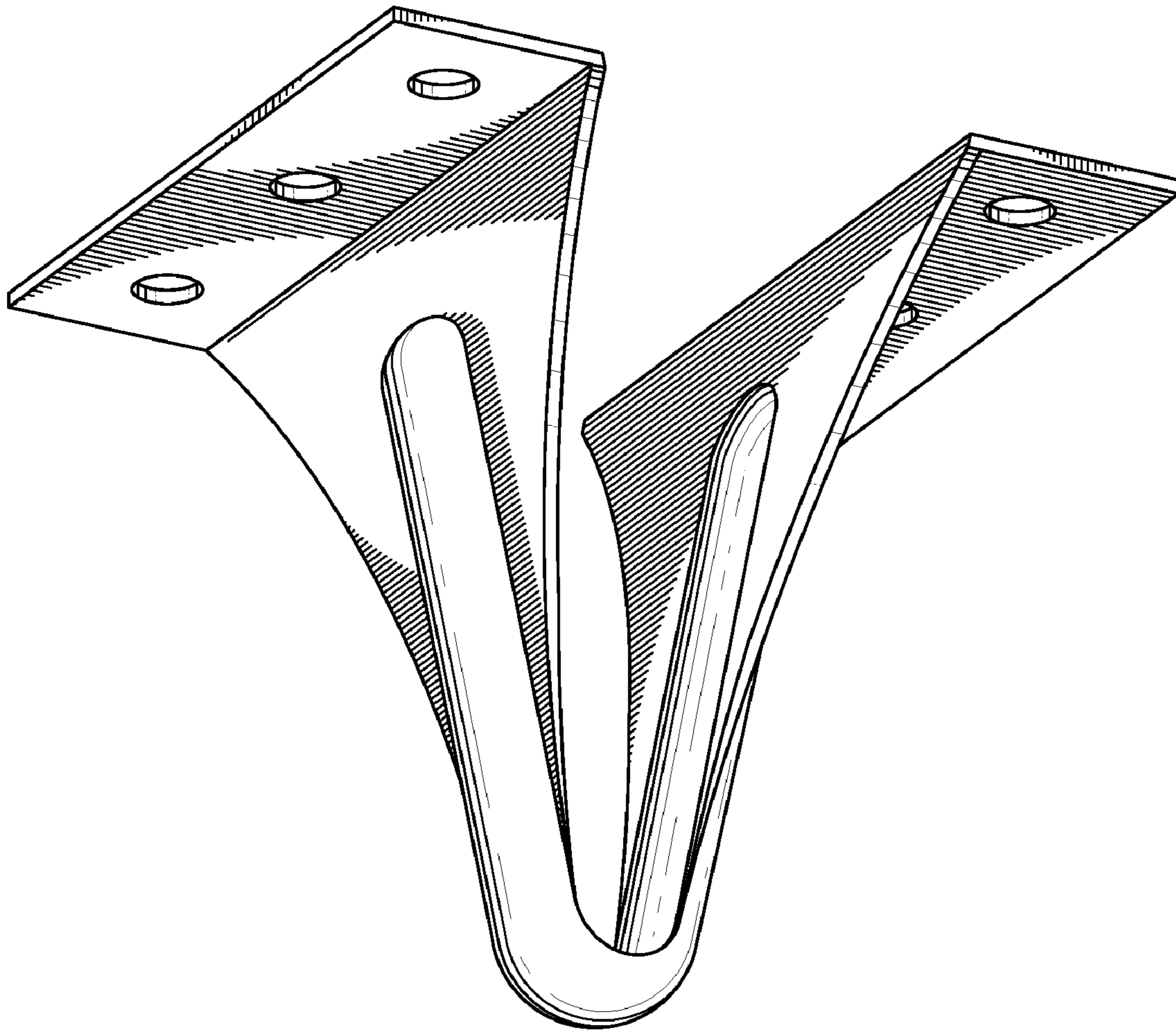


FIG. 1

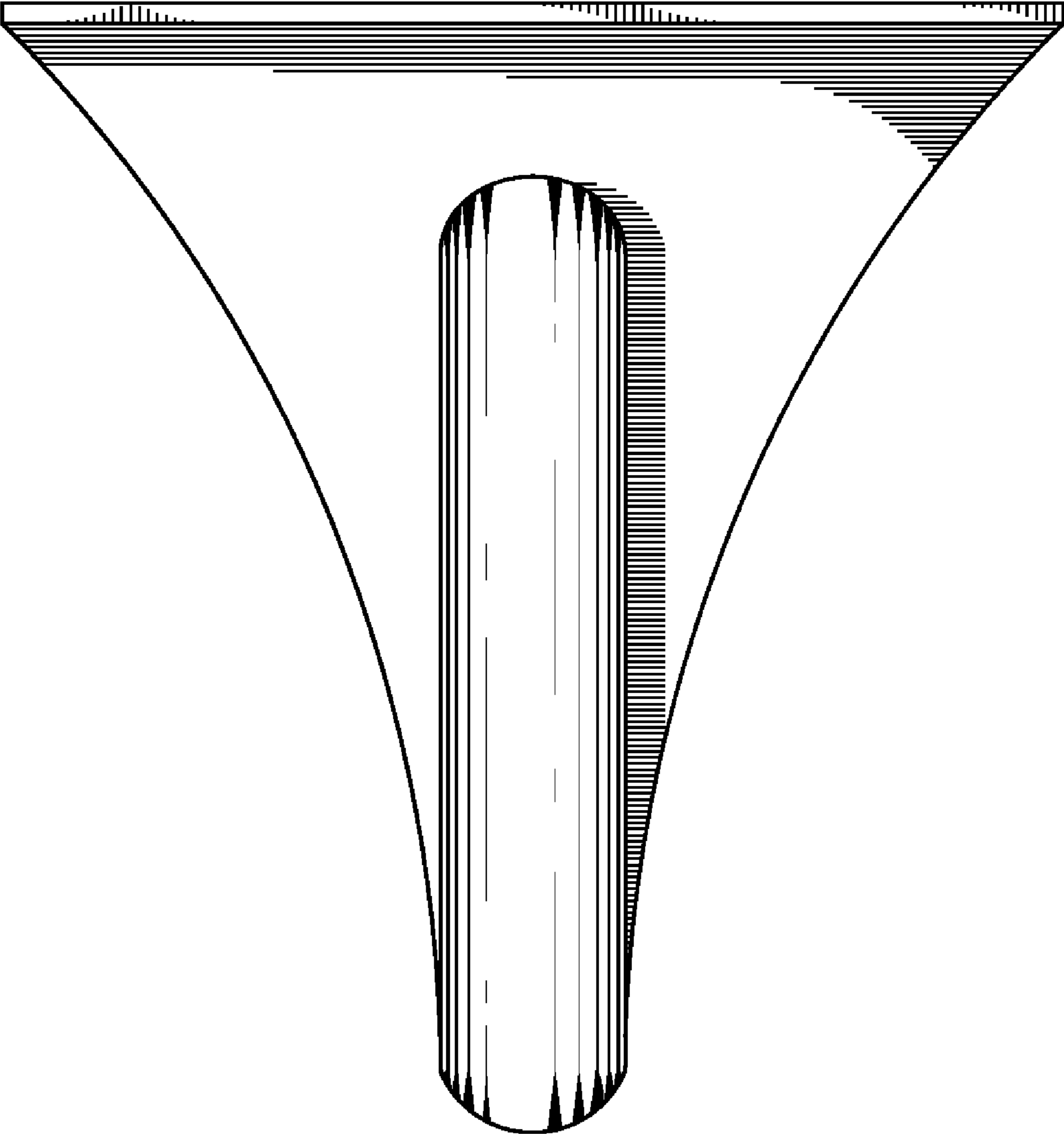


FIG. 2

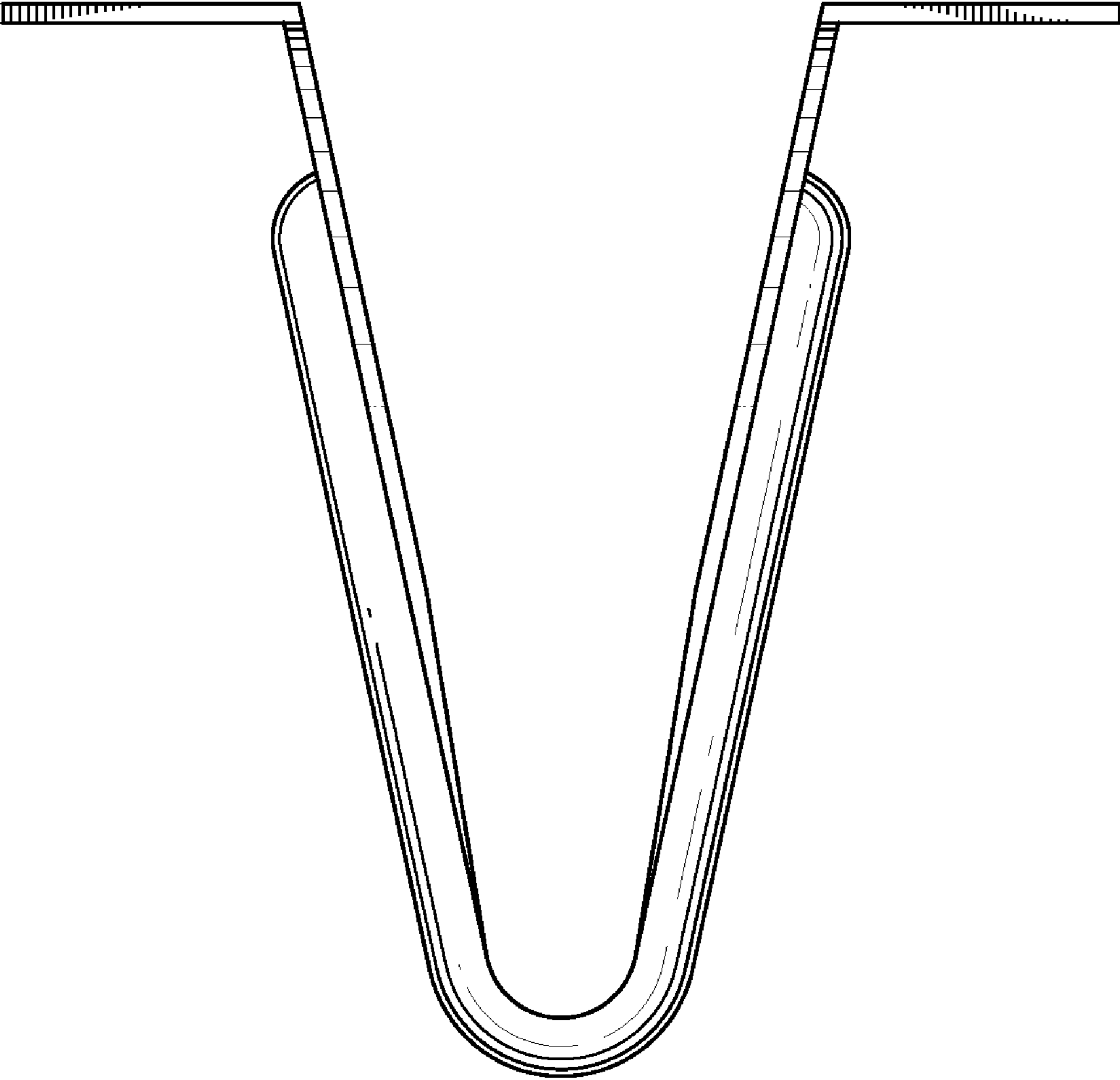


FIG. 3

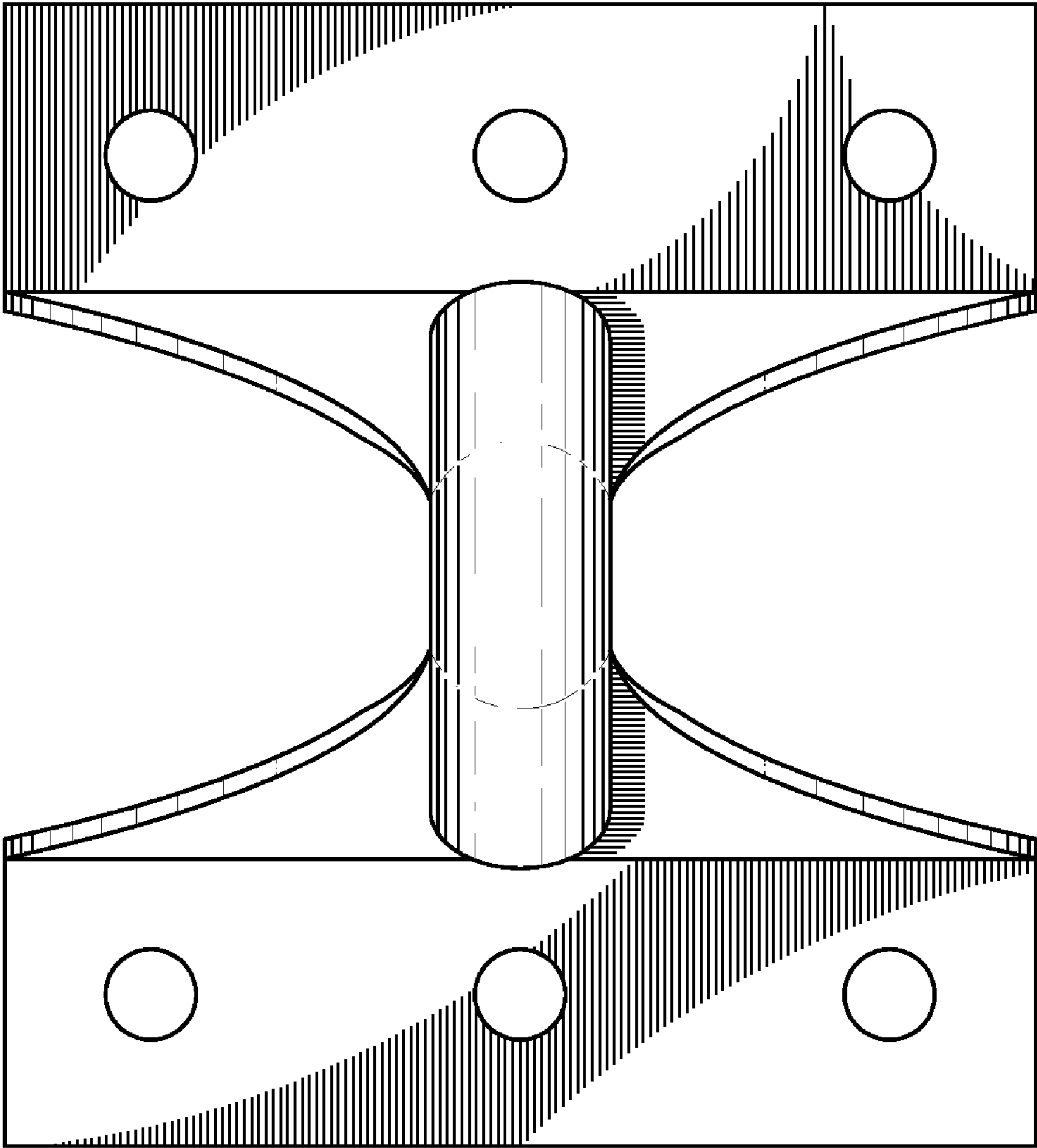


FIG. 4

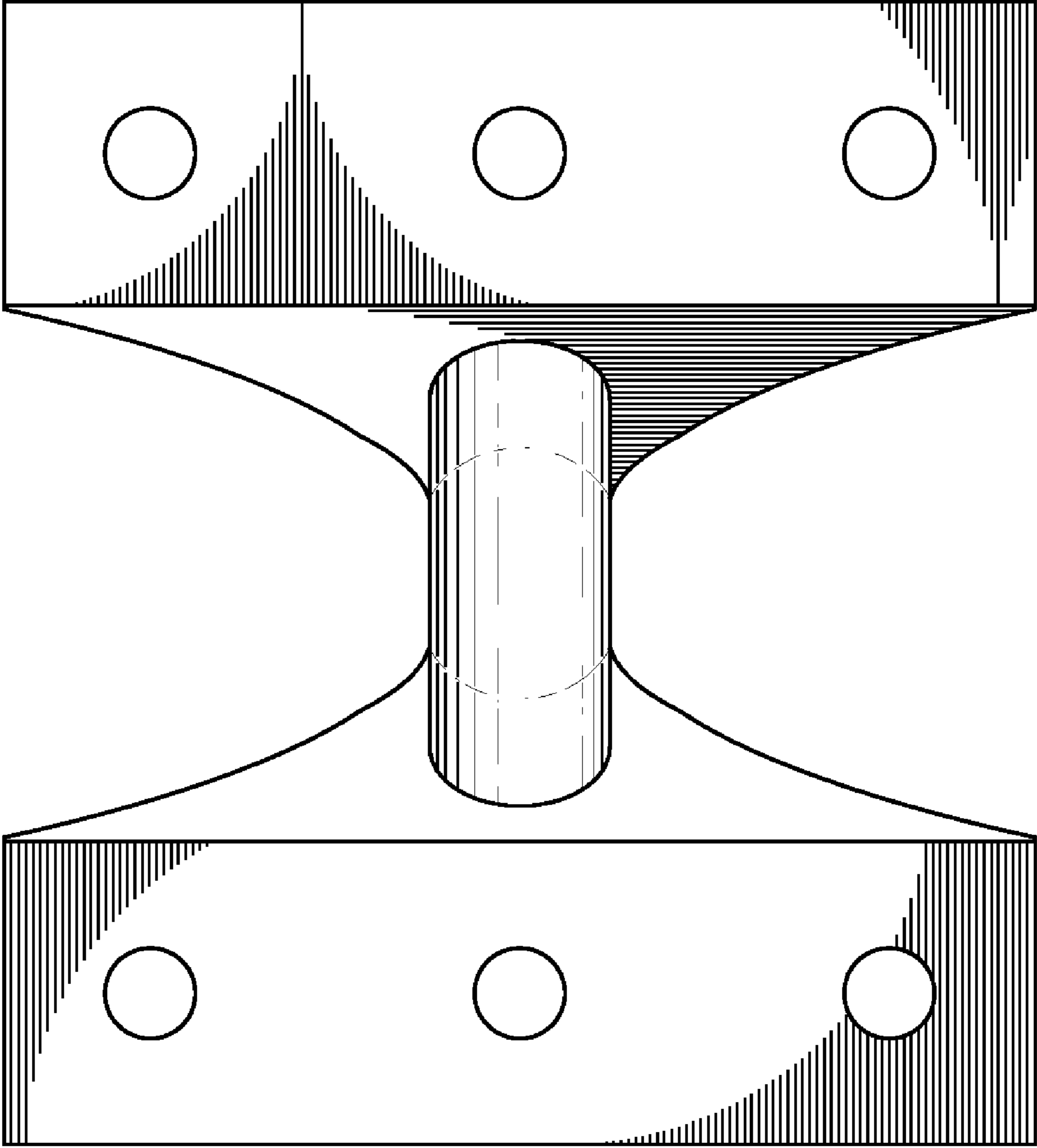


FIG. 5