



US00D581247S

(12) **United States Design Patent**
Durrant

(10) **Patent No.:** **US D581,247 S**
(45) **Date of Patent:** **** Nov. 25, 2008**

- (54) **WINDOW LOCK**
- (75) Inventor: **John Durrant**, Hadleigh (GB)
- (73) Assignee: **Mighton Products Limited** (GB)
- (**) Term: **14 Years**
- (21) Appl. No.: **29/278,250**
- (22) Filed: **Mar. 23, 2007**
- (51) **LOC (8) Cl.** **08-07**
- (52) **U.S. Cl.** **D8/331**
- (58) **Field of Classification Search** D8/330,
D8/331, 339, 343; 70/14, 51, 52, 57.1, 141,
70/142; 292/92, 96, 37, 348, 358, 359
See application file for complete search history.

(56) **References Cited**

U.S. PATENT DOCUMENTS

- 2,837,905 A * 6/1958 Wroughton 70/90
- 3,813,120 A * 5/1974 Kelly 292/251
- 4,989,908 A * 2/1991 Futch et al. 292/341.15
- D388,686 S * 1/1998 Goodwin et al. D8/331
- D432,392 S * 10/2000 Miller et al. D8/337
- 6,135,510 A * 10/2000 Diginosa 292/145
- 6,519,984 B1 * 2/2003 Morris 70/210

- D495,582 S * 9/2004 Richardson et al. D8/337
- 7,296,831 B2 * 11/2007 Generowicz et al. 292/242
- D567,063 S * 4/2008 Farrell D8/331

* cited by examiner

Primary Examiner—Prabhakar Deshmukh
(74) *Attorney, Agent, or Firm*—Bourque & Associates

(57) **CLAIM**

The ornamental design for a window lock, as shown and described herein.

DESCRIPTION

FIG. 1 is a front and left side perspective view of a window lock showing my new design;

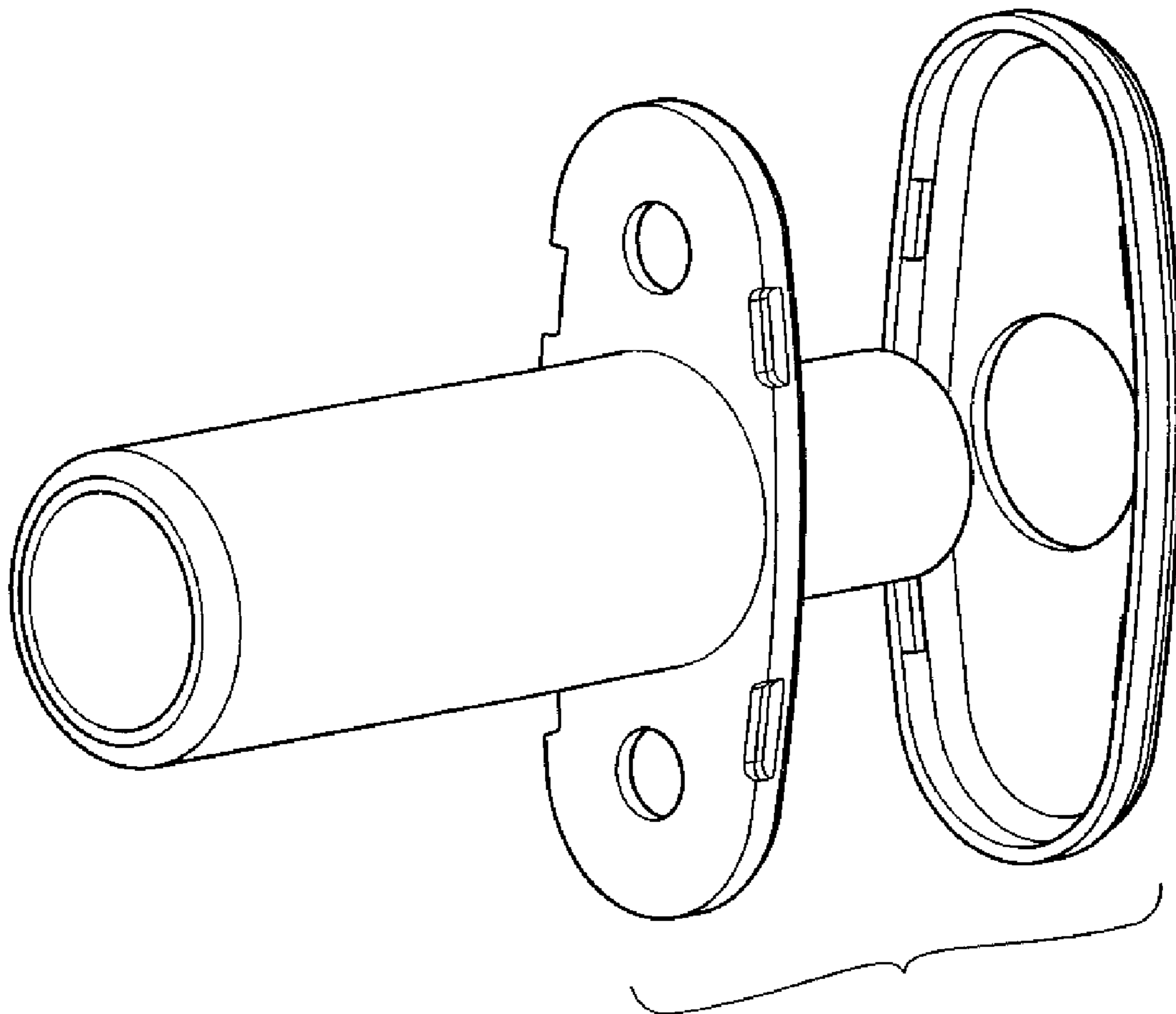
FIG. 2 is an exploded rear and left side perspective view thereof, the right side being a mirror image thereof;

FIG. 3 is an exploded front and left perspective view thereof; and,

FIG. 4 is a rear and left perspective view thereof.

The broken lines showing of a square engagement shank in FIG. 1 is for illustrative purpose only and forms no part of the claimed design.

1 Claim, 4 Drawing Sheets



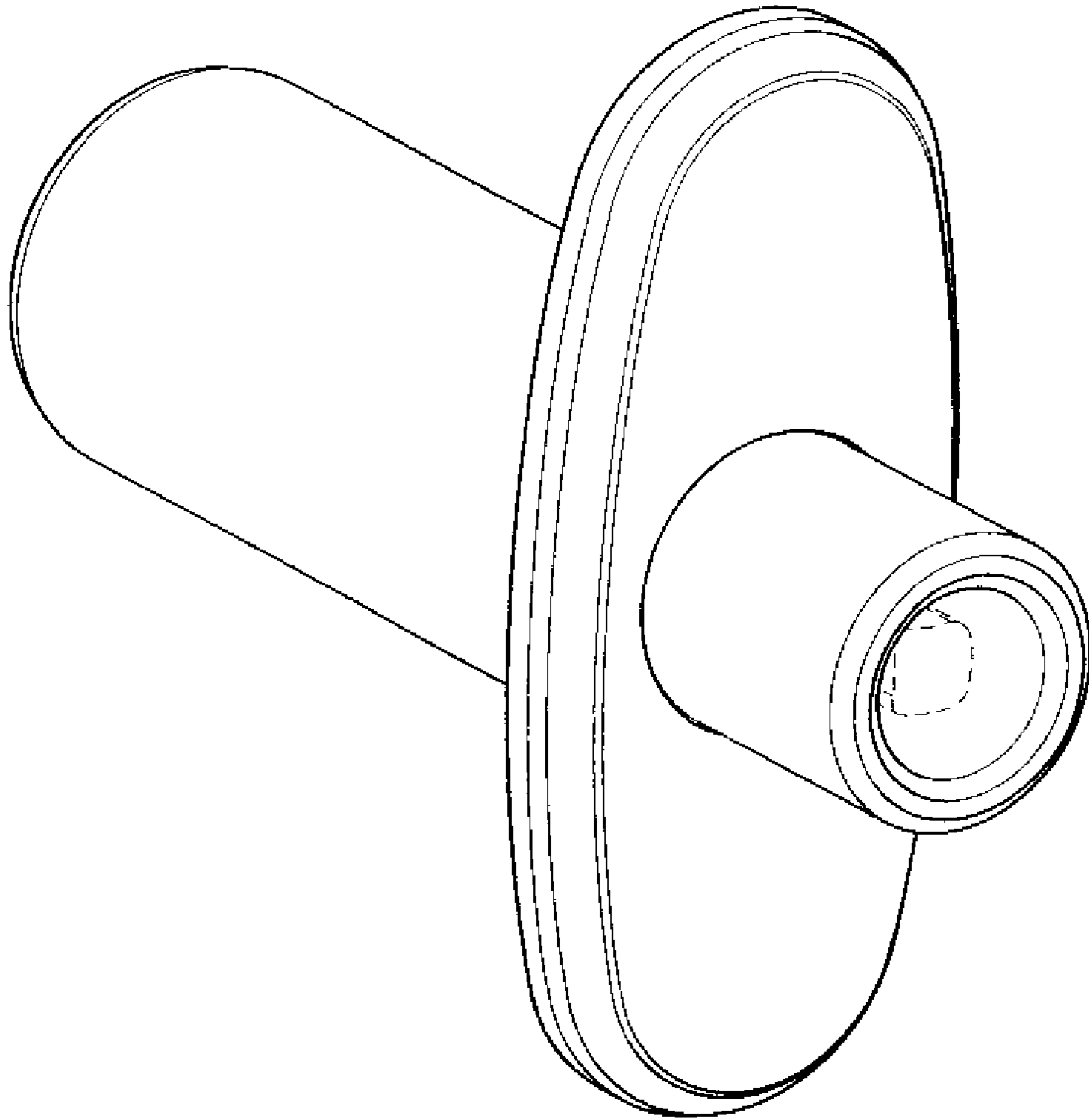


Figure 1

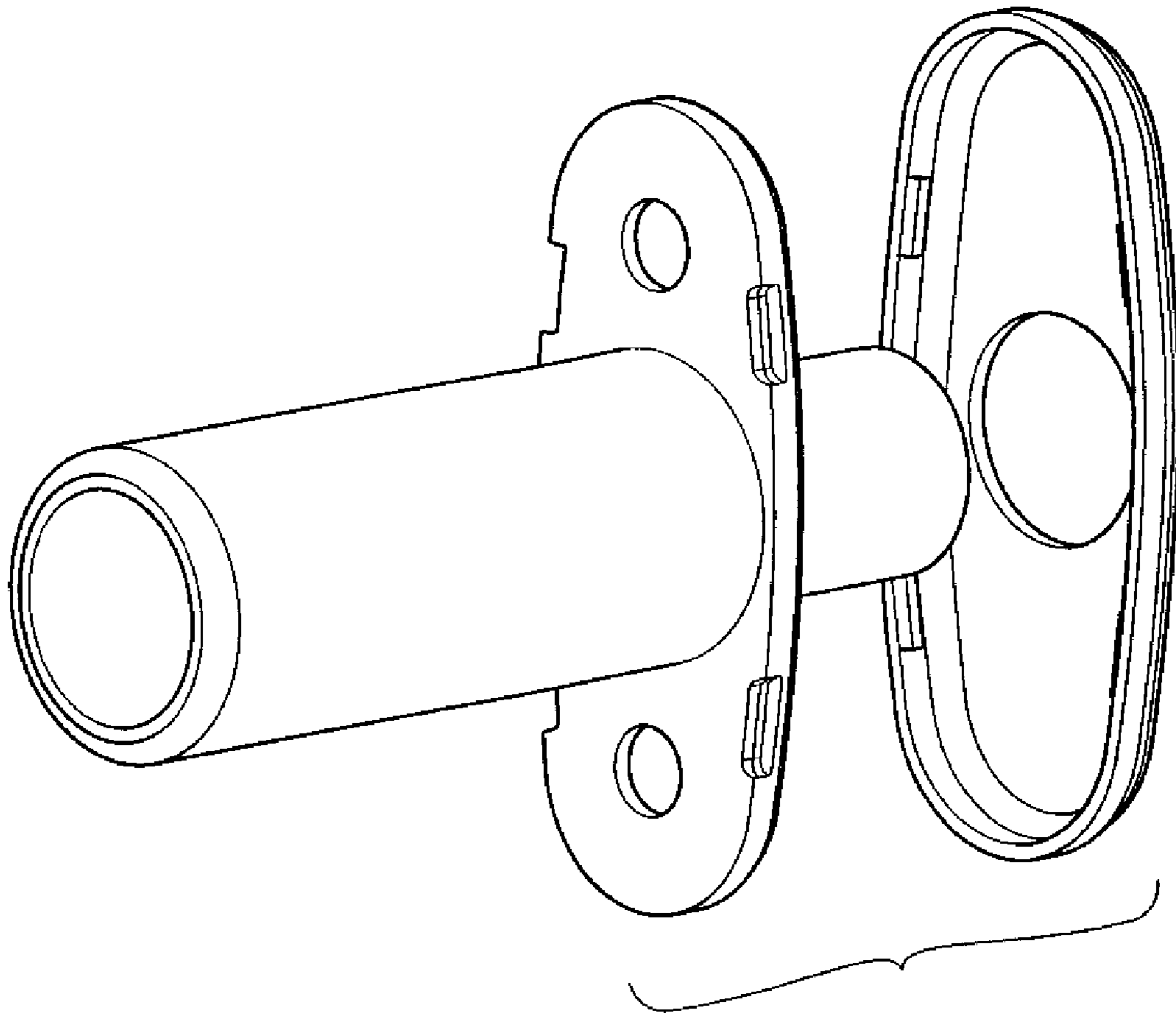


Figure 2

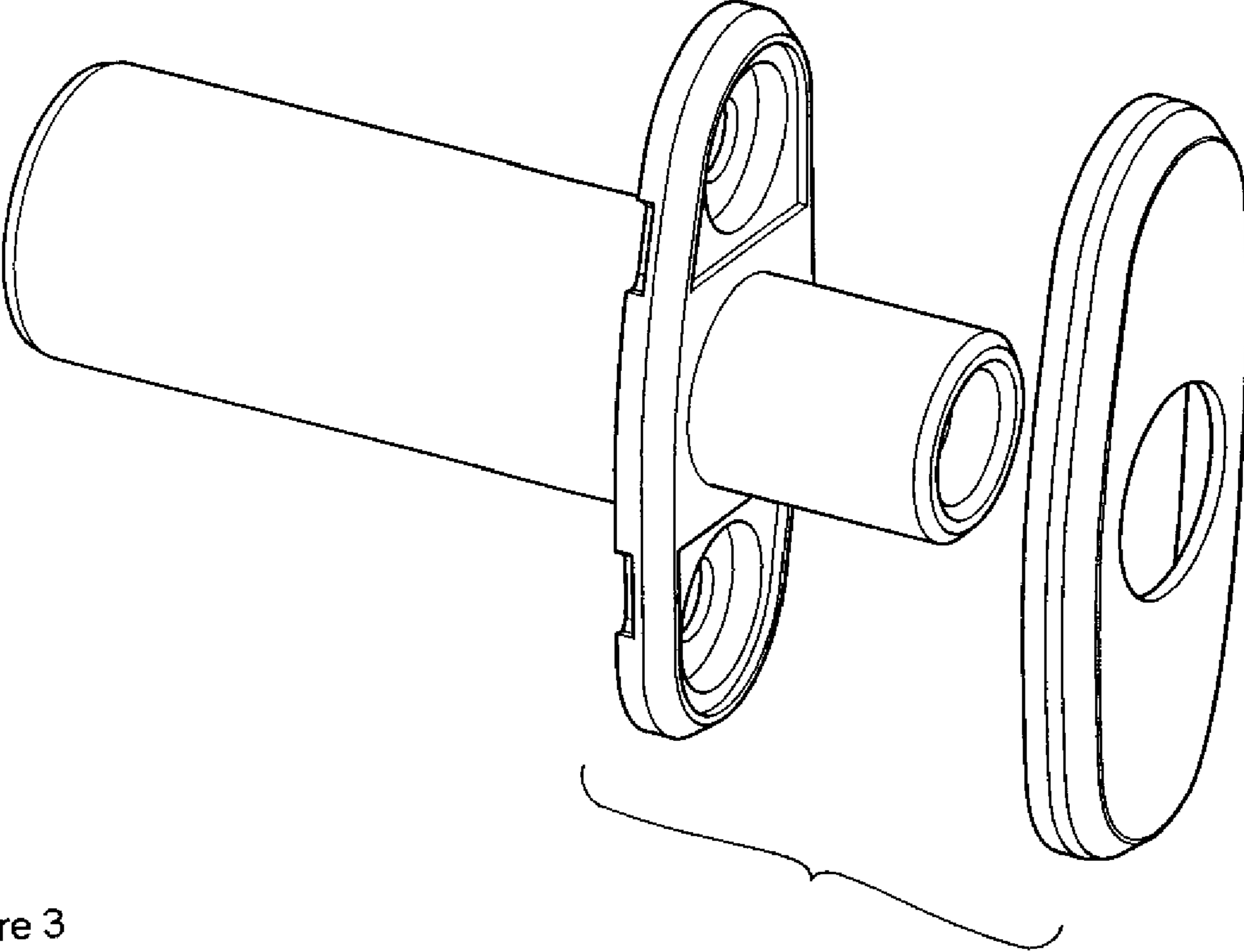


Figure 3

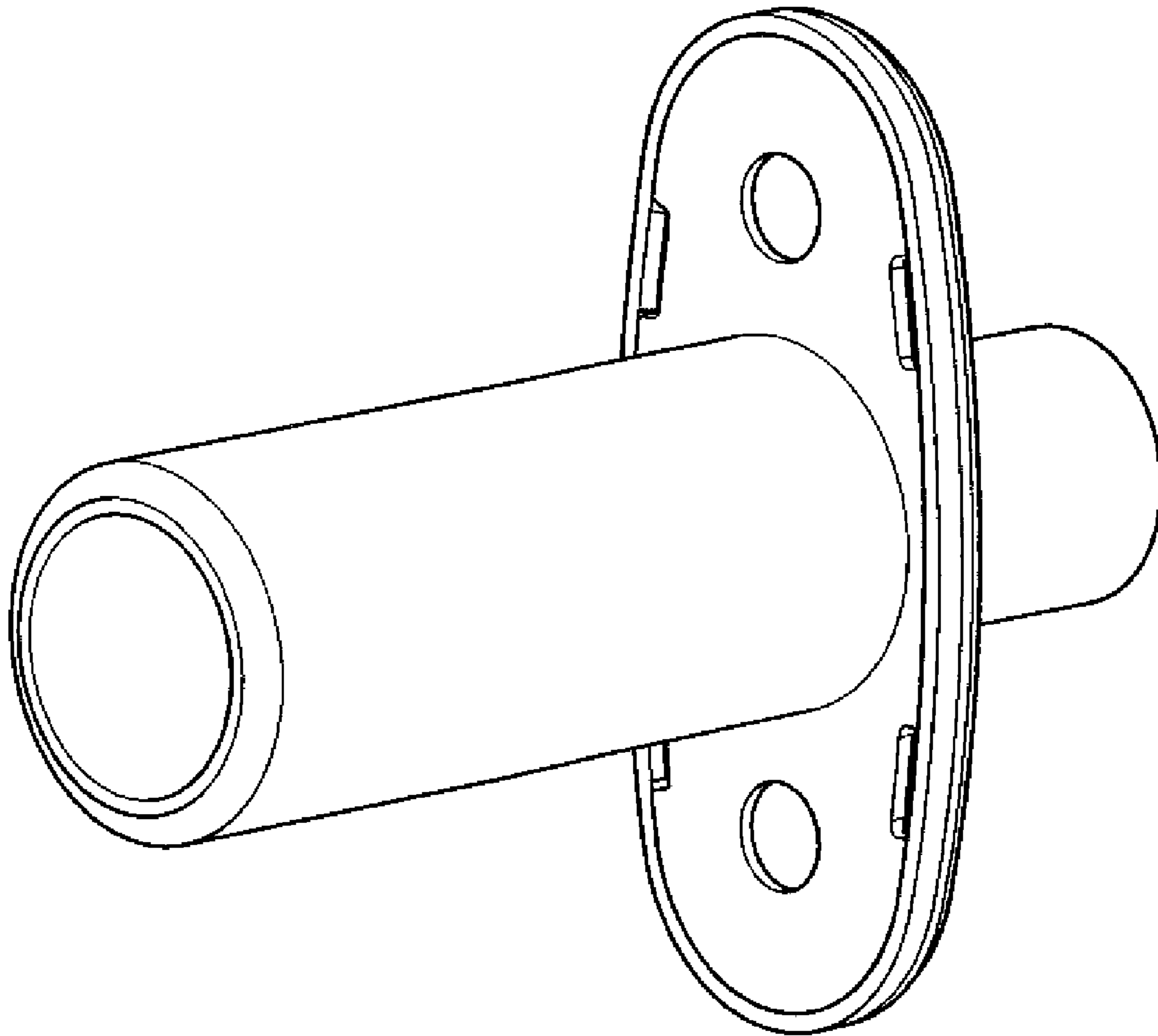


Figure 4