



US00D581246S

(12) **United States Design Patent**
Conway

(10) **Patent No.:** **US D581,246 S**

(45) **Date of Patent:** **** Nov. 25, 2008**

(54) **BIOMETRIC DOOR LOCK ASSEMBLY**

(75) **Inventor:** **Patrick Conway**, Baldwinsville, NY
(US)

(73) **Assignee:** **Bioaxis Development Corp.**,
Baldwinsville, NY (US)

(**) **Term:** **14 Years**

(21) **Appl. No.:** **29/279,995**

(22) **Filed:** **May 14, 2007**

(51) **LOC (8) Cl.** **08-07**

(52) **U.S. Cl.** **D8/330**

(58) **Field of Classification Search** D8/301,
D8/302, 330, 331, 332, 341, 342, 343, 349,
D8/350; D21/338; 70/107, 129, 149, 189,
70/208, 211, 218, 224, 277, 278.1, 282, 285,
70/472; 200/5 A; 292/32, 137, 169, 333
See application file for complete search history.

(56) **References Cited**

U.S. PATENT DOCUMENTS

4,637,237	A *	1/1987	Witkoski et al.	70/285
D305,861	S *	2/1990	Kautt	D8/330
D344,009	S *	2/1994	Fontenot	D8/331
D452,807	S *	1/2002	Gartner	D8/330
D470,033	S *	2/2003	Fleury et al.	D8/302
D474,103	S *	5/2003	Kaiser et al.	D8/350
D479,682	S *	9/2003	Frolov et al.	D8/331
D495,943	S *	9/2004	Hentschel et al.	D8/330

D545,172	S *	6/2007	Kaiser et al.	D8/331
D552,966	S *	10/2007	Roberts et al.	D8/350
D552,967	S *	10/2007	Roberts et al.	D8/350
D552,968	S *	10/2007	Roberts et al.	D8/350
2004/0089035	A1 *	5/2004	Ciezki et al.	70/208

* cited by examiner

Primary Examiner—Stella M. Reid

Assistant Examiner—Shanda C. Hill

(74) *Attorney, Agent, or Firm*—George R. McGuire; Bond
Schoneck & King, PLLC

(57) **CLAIM**

The ornamental design for a biometric door lock assembly,
shown and described.

DESCRIPTION

FIG. 1 is a perspective view of a biometric door lock assembly
showing my new design, shown in condition of use;

FIG. 2 is a front elevation view of the biometric door lock
assembly;

FIG. 3 is a top plan view thereof;

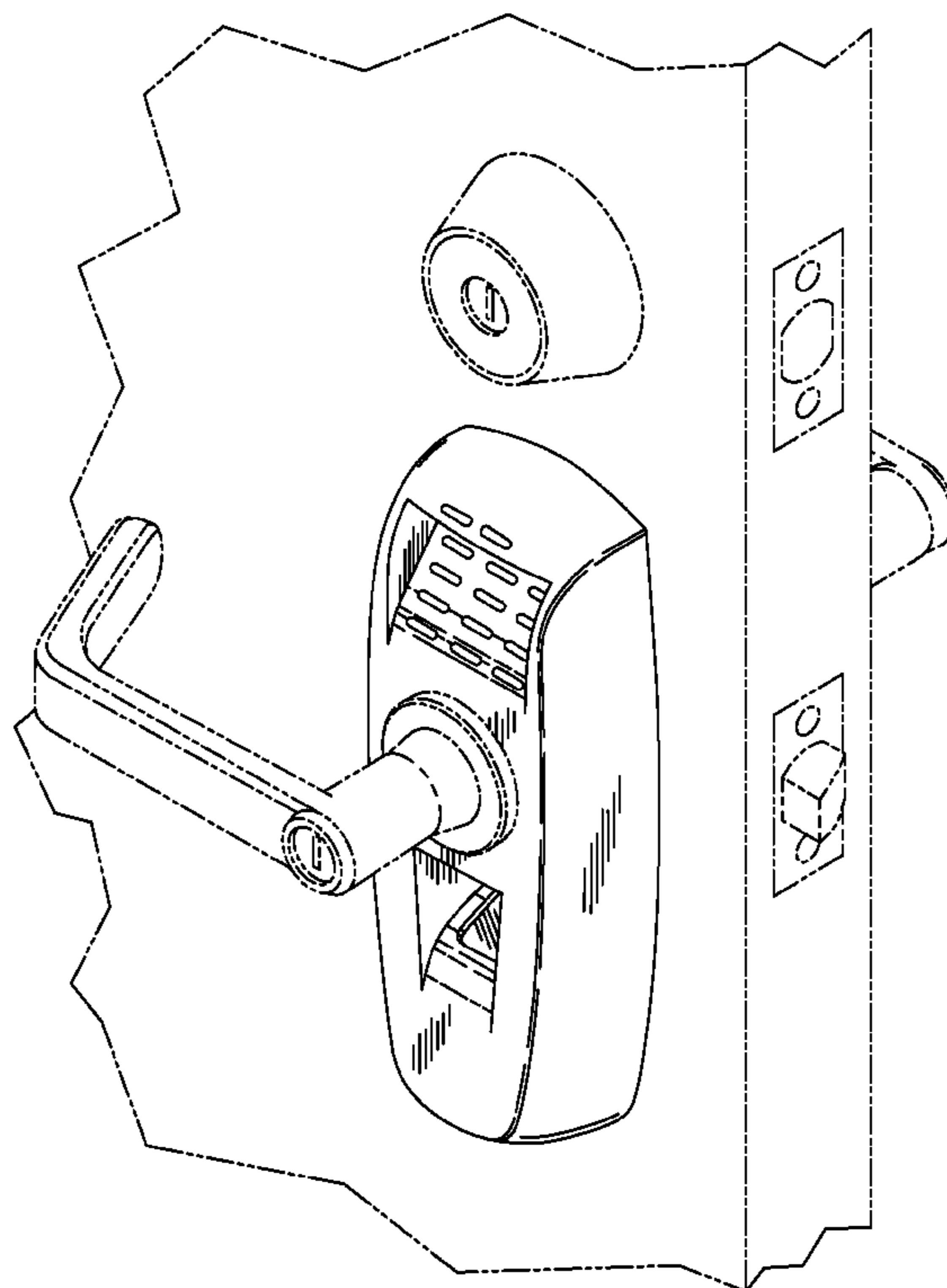
FIG. 4 is a bottom plan view thereof;

FIG. 5 is a right side elevation view thereof; and,

FIG. 6 is a left side elevation view thereof.

The broken lines shown in the drawing disclosure are for
illustrative purposes only and form no part of the claimed
design.

1 Claim, 4 Drawing Sheets



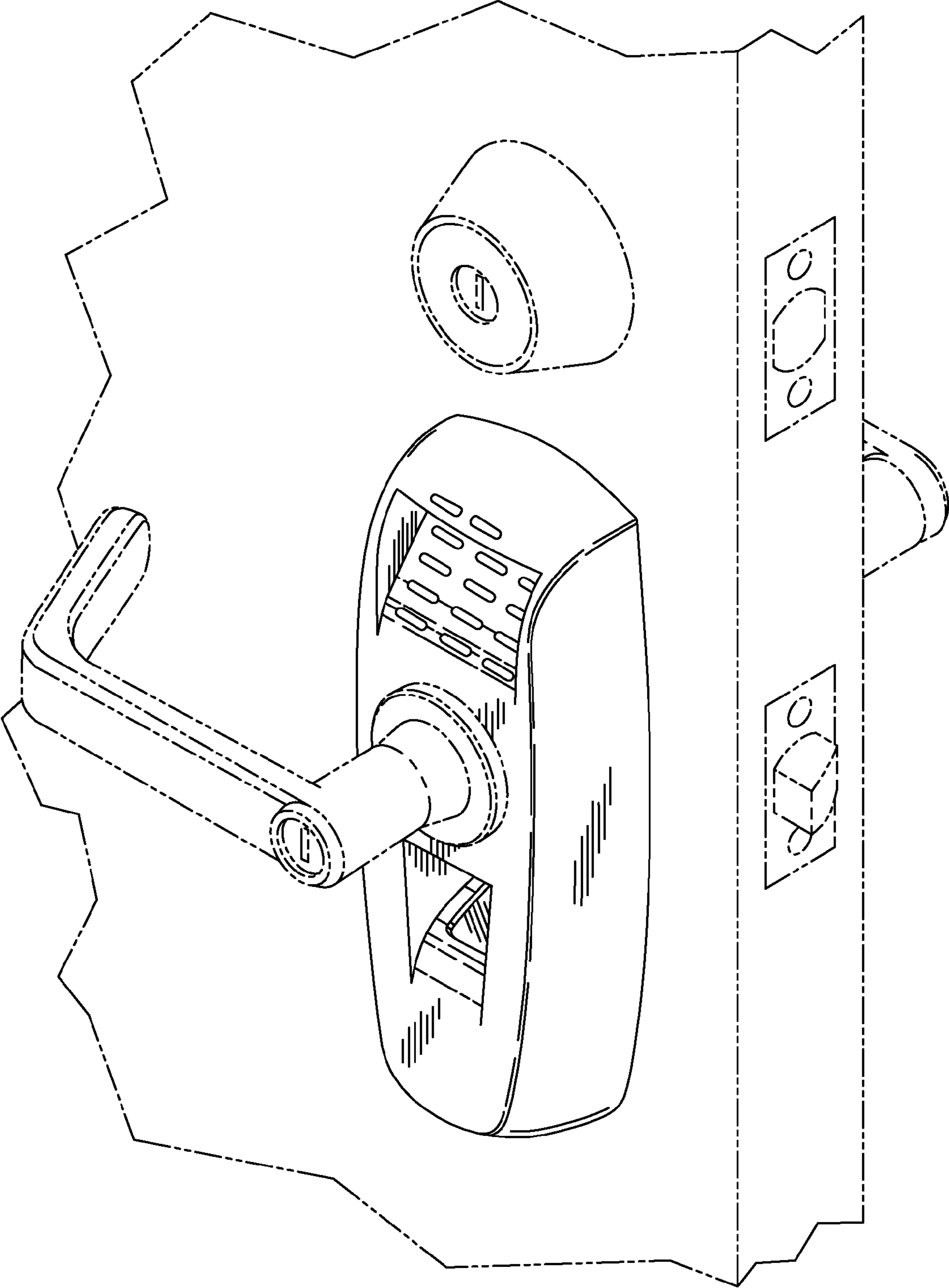


FIG. 1

FIG.2

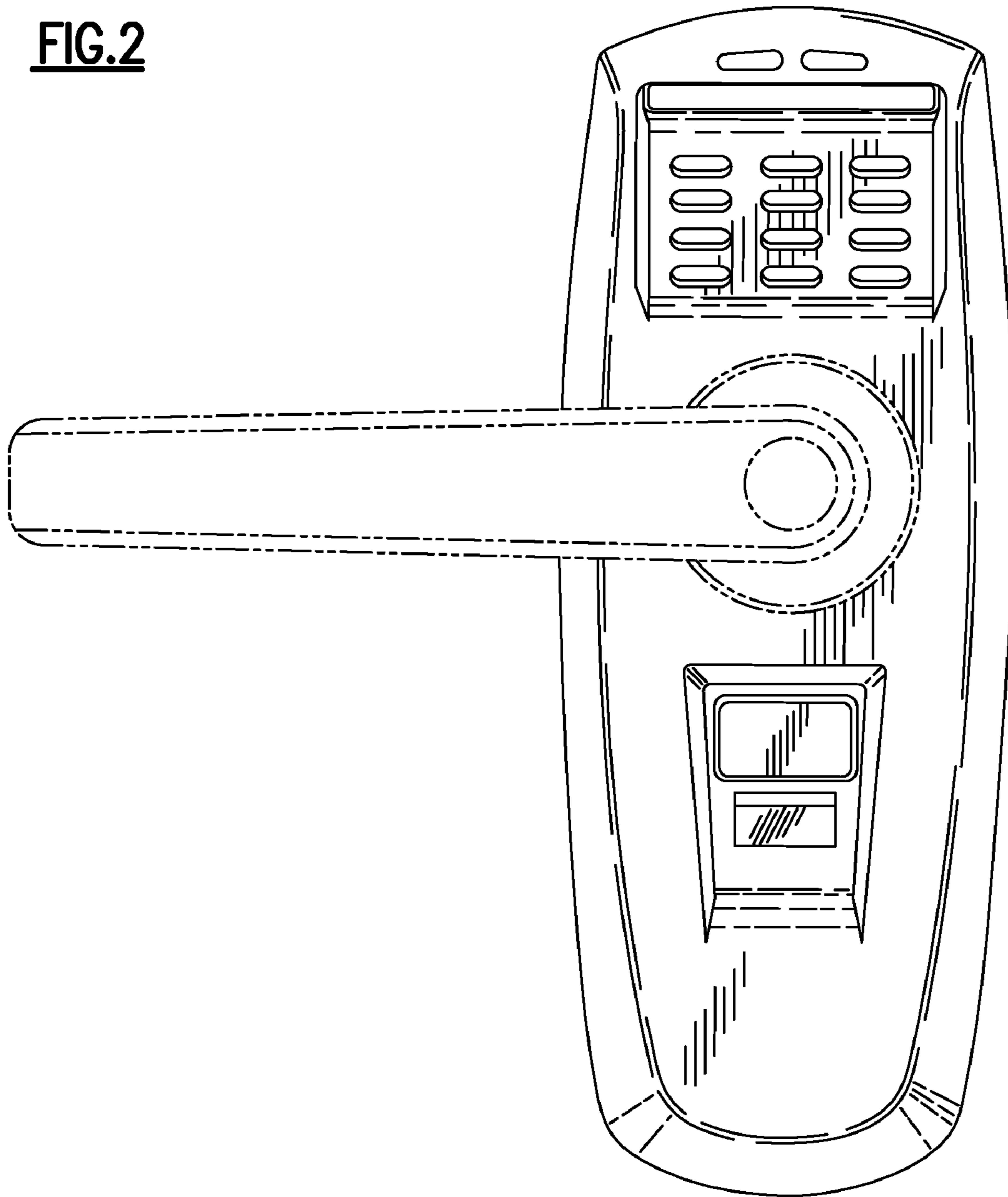


FIG.3

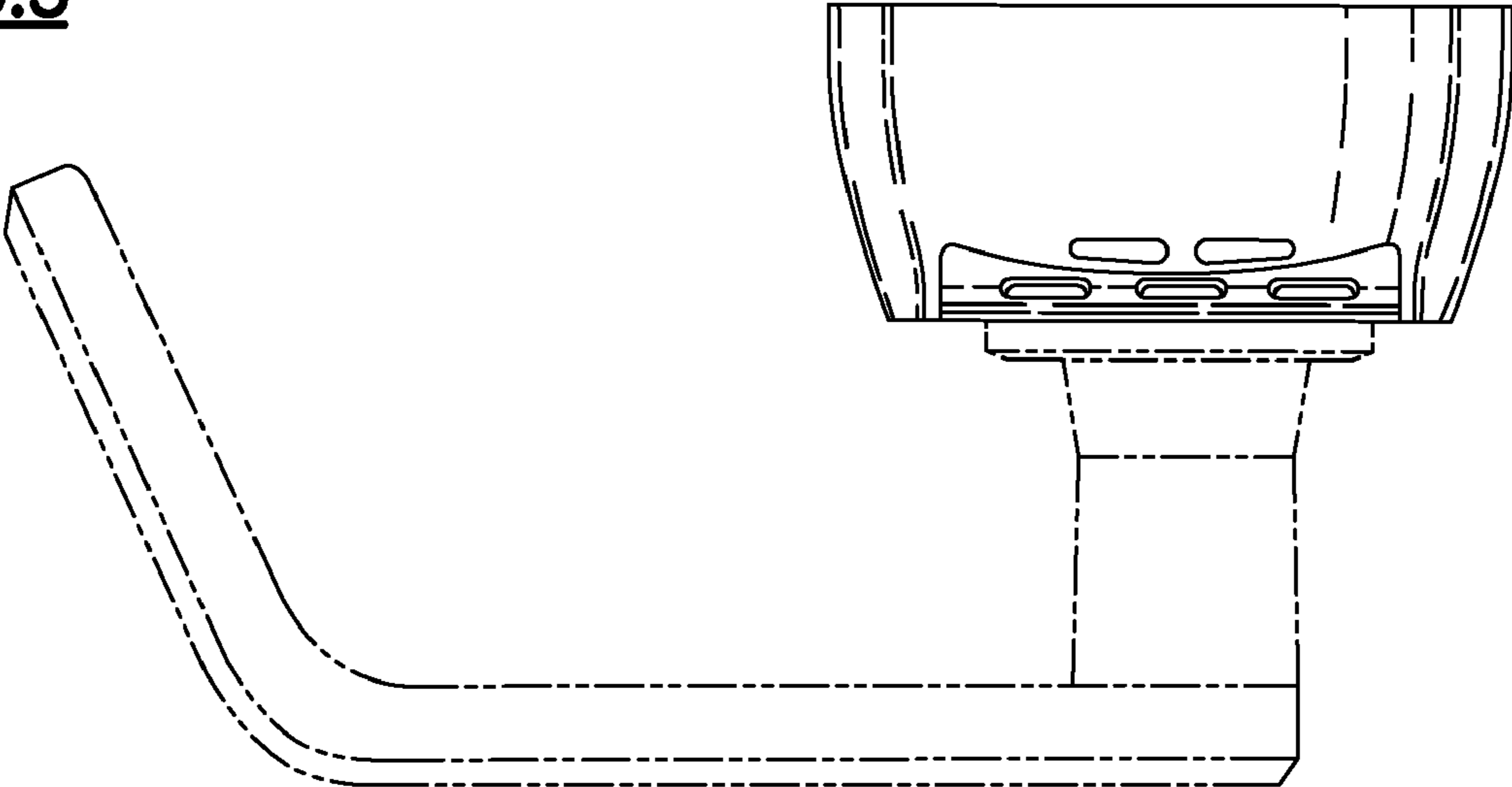


FIG.4

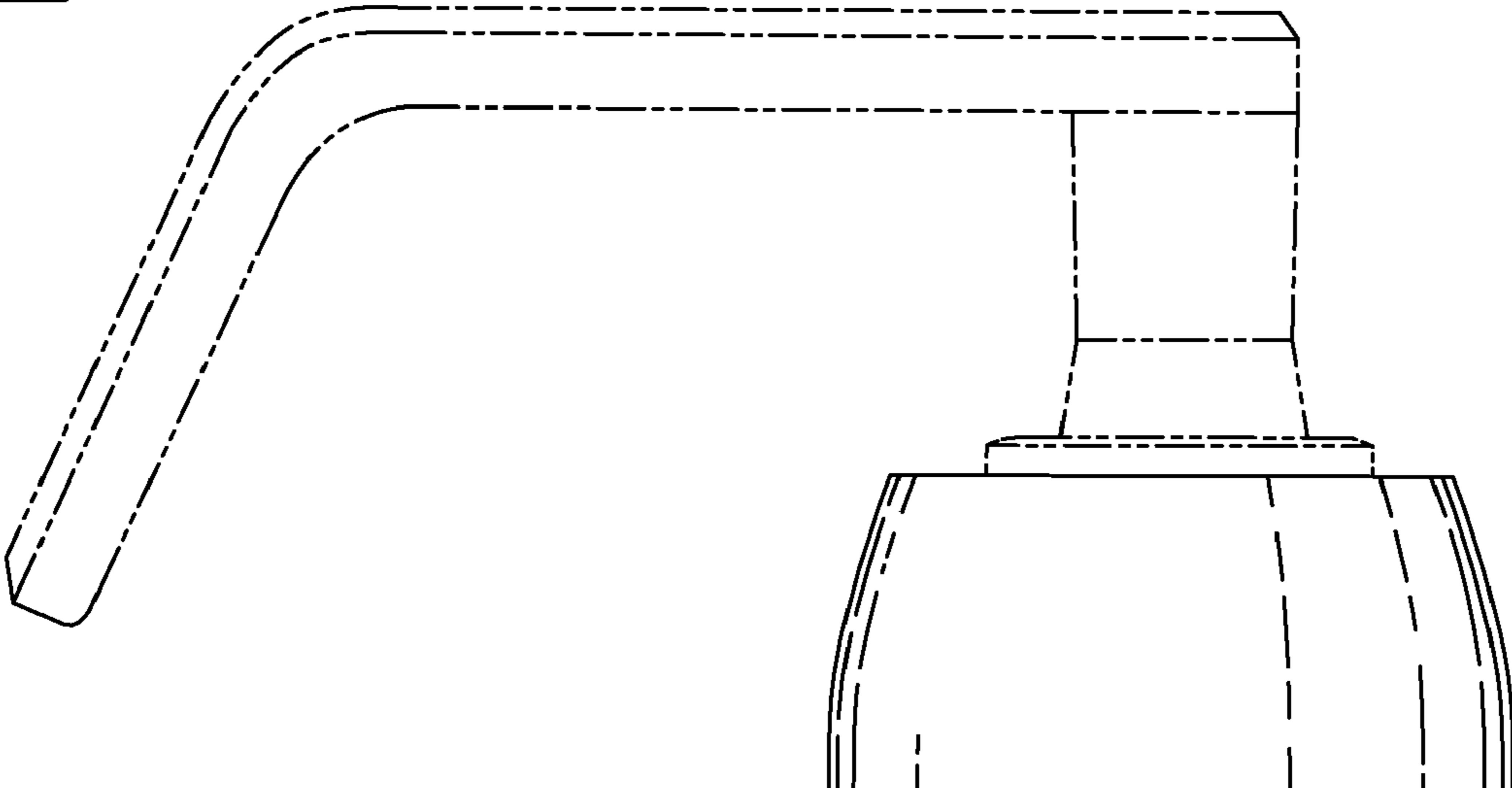


FIG.5

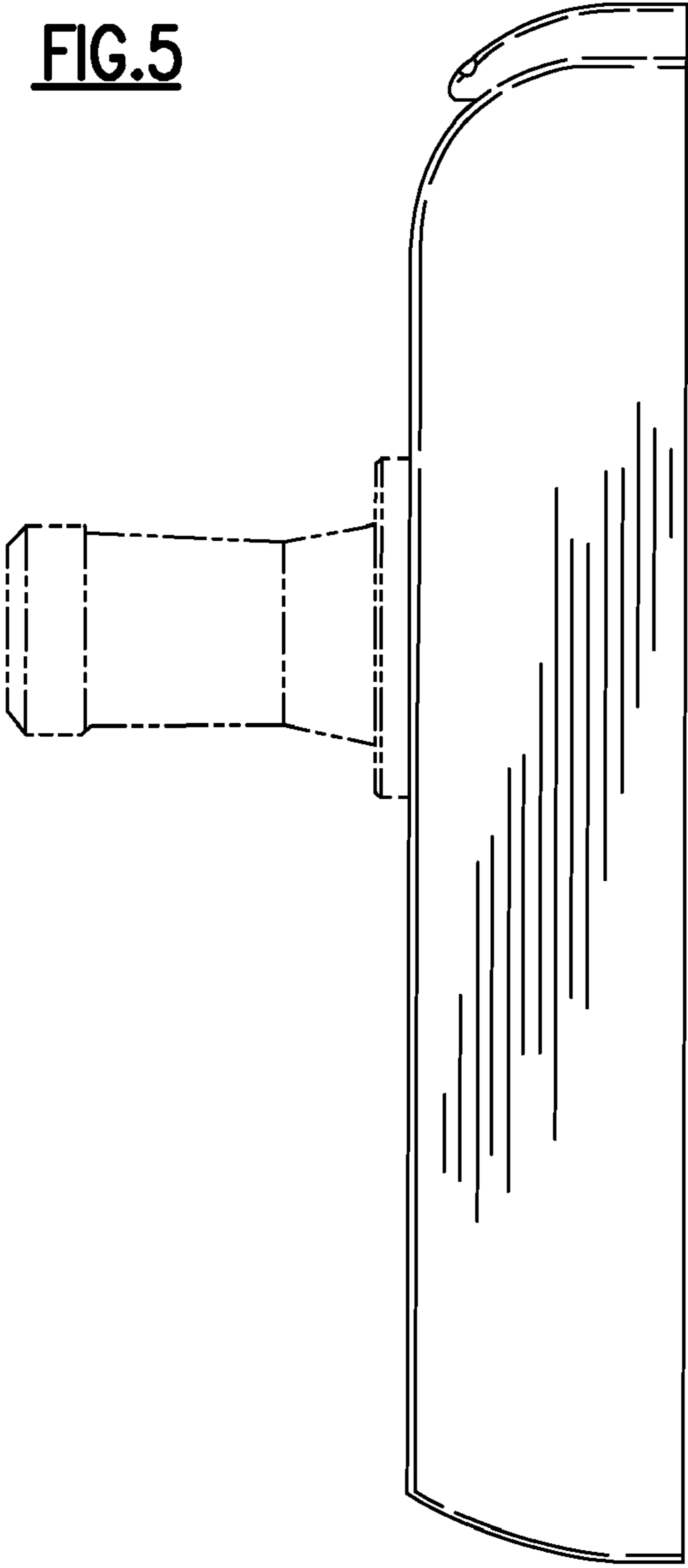


FIG.6

