



US00D581243S

(12) **United States Design Patent**  
**Gulley**

(10) **Patent No.:** **US D581,243 S**

(45) **Date of Patent:** **\*\* Nov. 25, 2008**

(54) **T-HANDLE WITH A ROUNDED YOKE**

6,623,052 B2 \* 9/2003 Hansen ..... 292/336.3  
6,976,375 B2 \* 12/2005 Minix ..... 70/208

(75) Inventor: **Thomas D. Gulley**, Walnut, CA (US)

\* cited by examiner

(73) Assignee: **Harware Imports, Inc.**, Walnut, CA (US)

*Primary Examiner*—Paula Greene

(74) *Attorney, Agent, or Firm*—Maria Erlinda Co Sarno

(\*\*) Term: **14 Years**

(57) **CLAIM**

(21) Appl. No.: **29/288,967**

The ornamental design for a T-handle with a rounded yoke, as shown and described.

(22) Filed: **Jun. 28, 2007**

(51) **LOC (8) Cl.** ..... **08-06**

(52) **U.S. Cl.** ..... **D8/306; D8/301**

(58) **Field of Classification Search** ..... D8/300,  
D8/301, 302, 306, 307, 336, 337, 338, 350,  
D8/352; 16/110.1, 402, 412, 445; 70/208,  
70/211, 91, 28; 292/121, 218, 336, 356,  
292/DIG. 12, DIG. 31, DIG. 30

See application file for complete search history.

**DESCRIPTION**

FIG. 1 is a front perspective view of the T-handle with a rounded yoke showing my new design;

FIG. 2 is a front perspective view of the T-handle with a rounded yoke thereof;

FIG. 3 is a front view of the of the T-handle with a rounded yoke thereof;

FIG. 4 is a rear view of the of the T-handle with a rounded yoke thereof;

FIG. 5 is a left side view of the T-handle with a rounded yoke thereof, the opposite side is a mirror image;

FIG. 6 is a top view of the of the T-handle with a rounded yoke thereof; and,

FIG. 7 is a bottom view of the T-handle with a rounded yoke thereof.

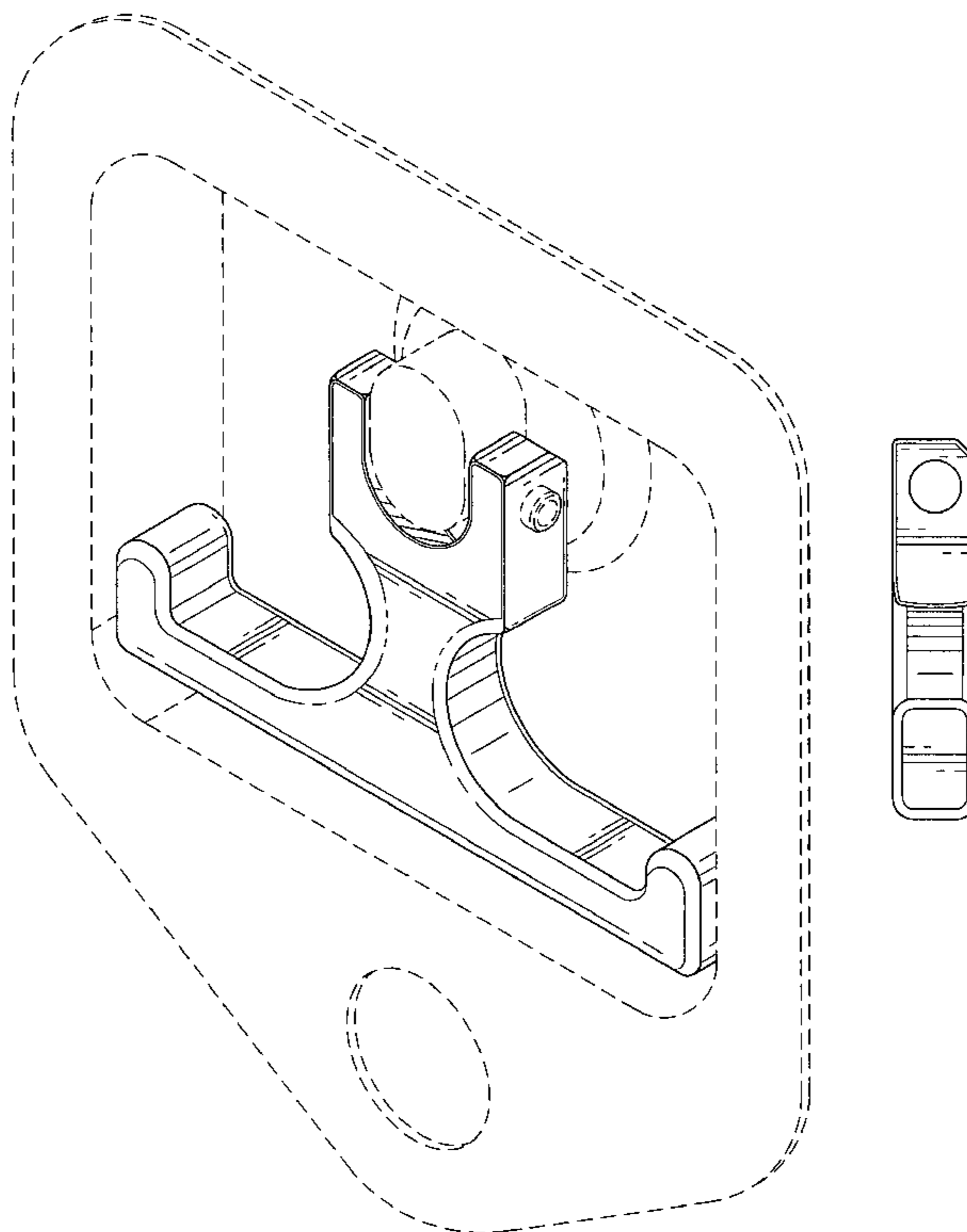
The broken lines are included for the purpose of illustration and form no part of the claimed design.

(56) **References Cited**

U.S. PATENT DOCUMENTS

4,706,478	A *	11/1987	Swan et al.	70/28
D323,776	S *	2/1992	Hansen	D8/338
D328,231	S *	7/1992	Hansen	D8/301
5,526,660	A *	6/1996	Bennett et al.	70/208
5,984,383	A *	11/1999	Parikh et al.	292/121
D442,844	S *	5/2001	Mirick	D8/301
D457,799	S *	5/2002	Weinerman et al.	D8/301
D469,331	S *	1/2003	Hansen	D8/306
6,530,250	B1 *	3/2003	Linares et al.	70/208

**1 Claim, 4 Drawing Sheets**



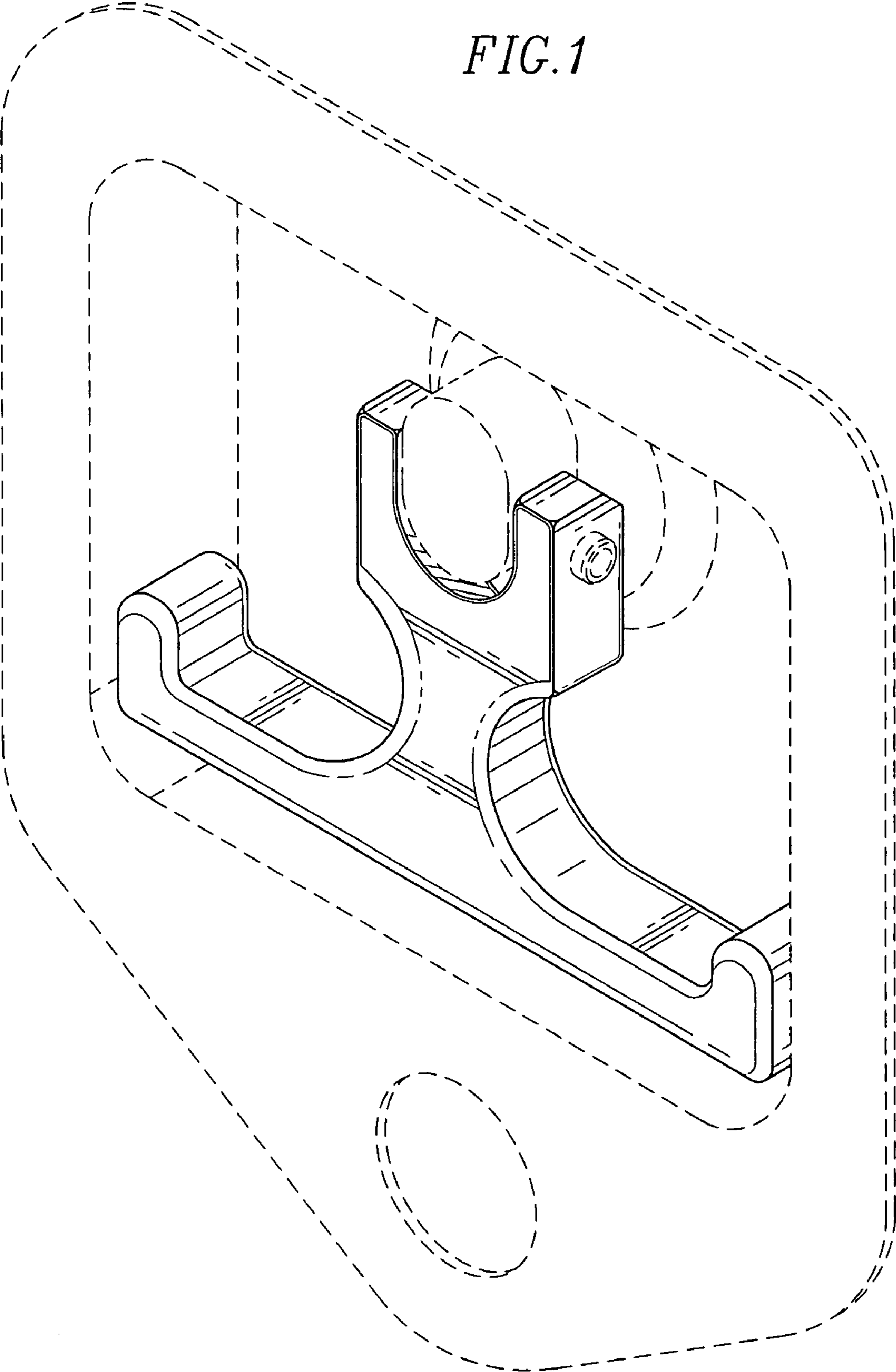
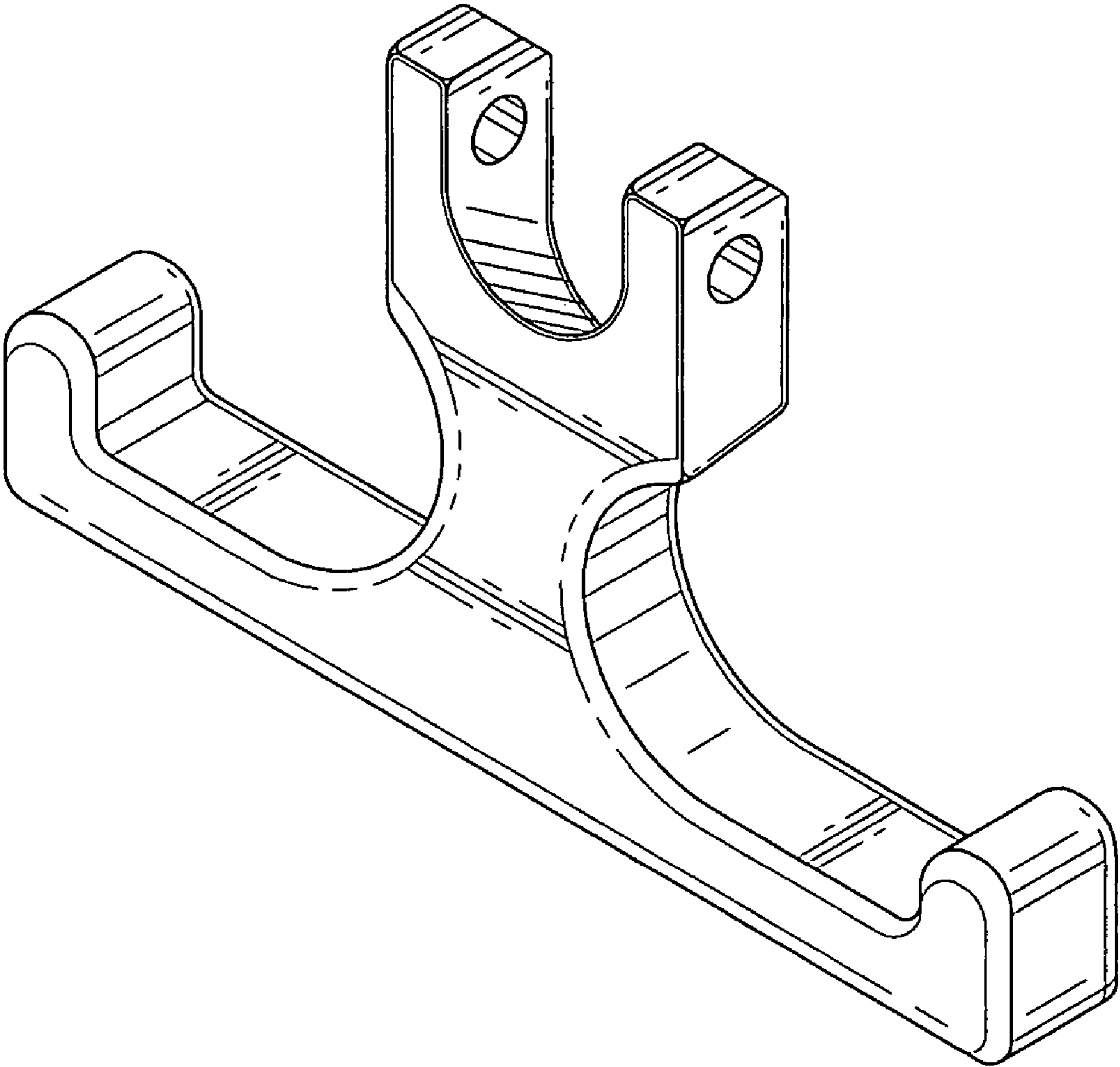
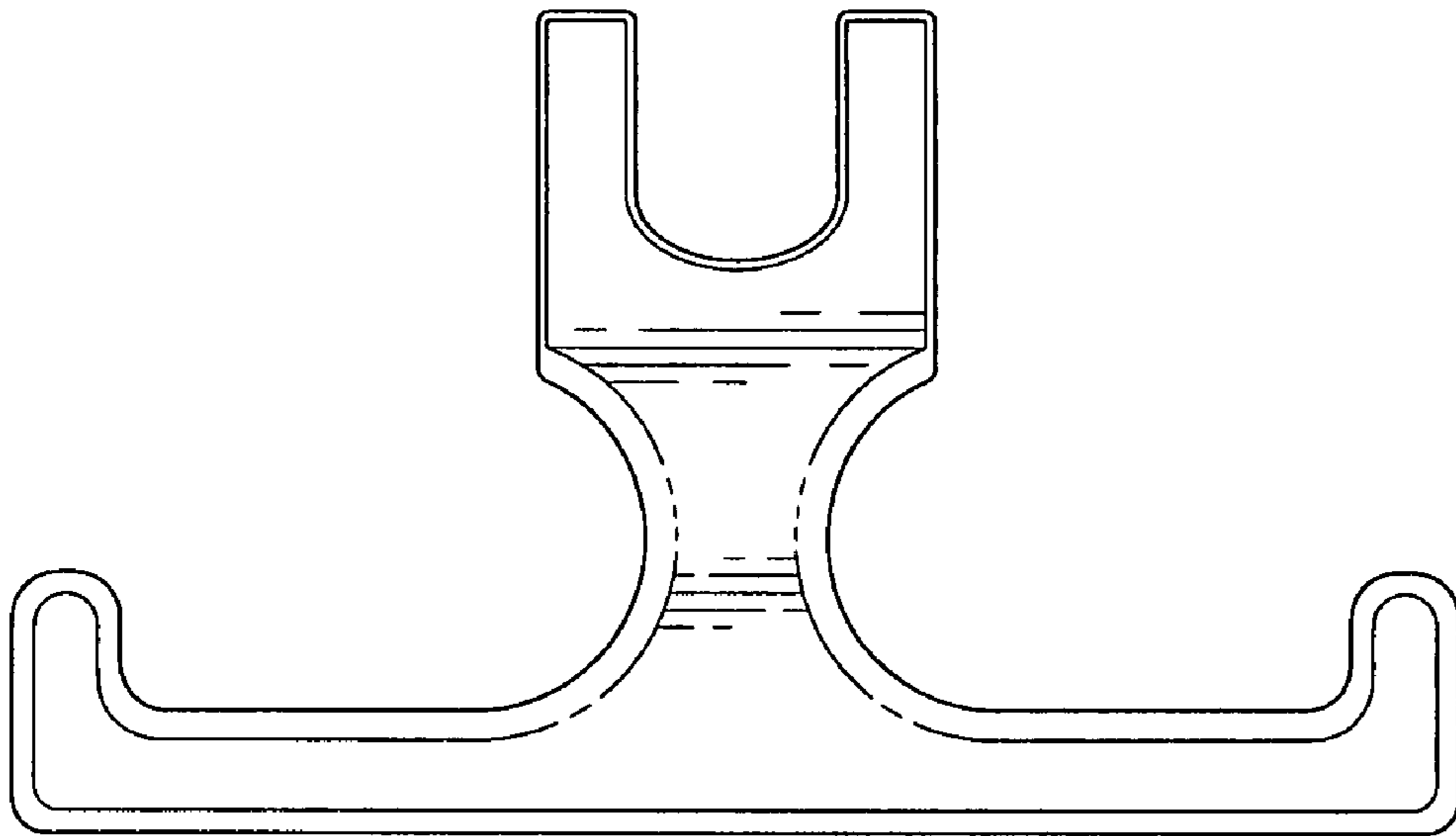


FIG. 1

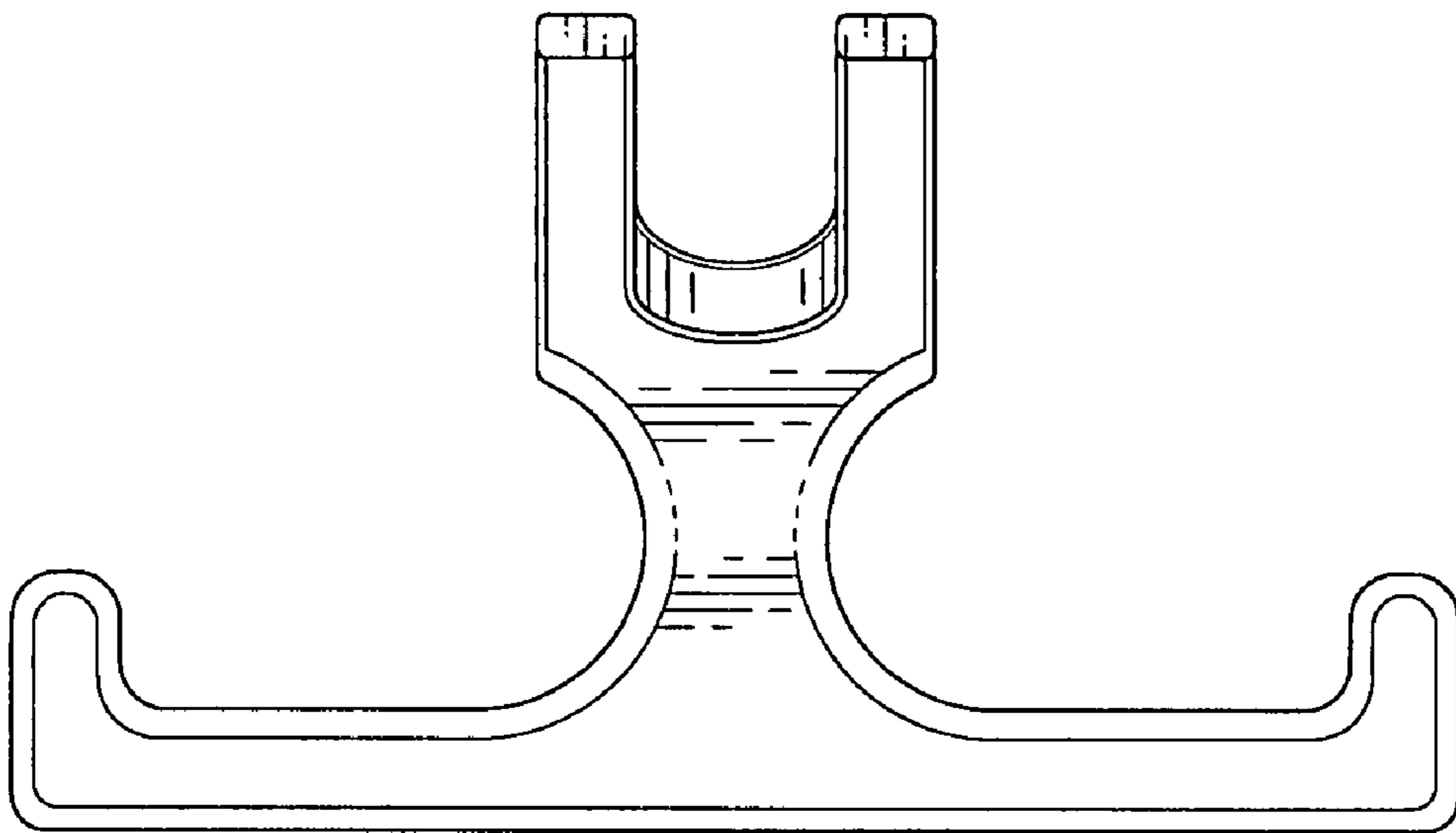
*FIG. 2*



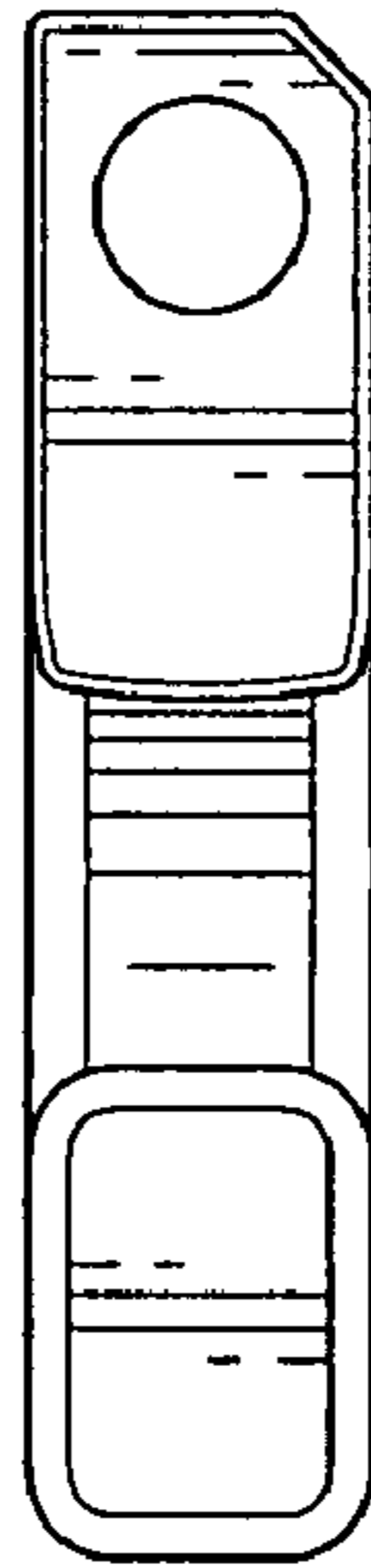
*FIG. 3*



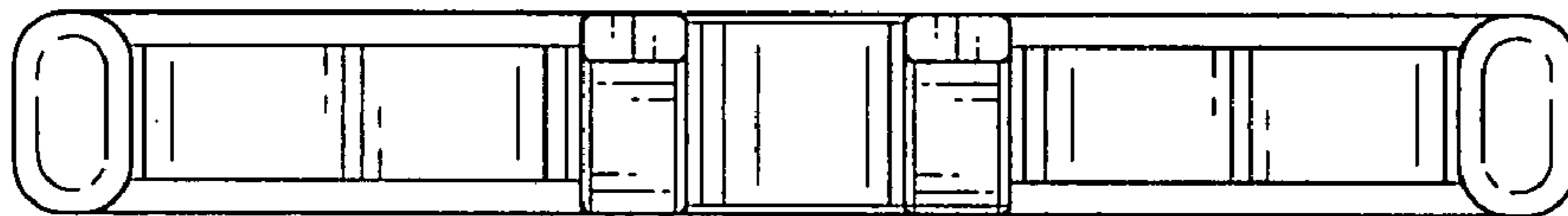
*FIG. 4*



*FIG. 5*



*FIG. 6*



*FIG. 7*

