



US00D581241S

(12) **United States Design Patent**
Freeman

(10) **Patent No.:** **US D581,241 S**
(45) **Date of Patent:** **** Nov. 25, 2008**

- (54) **KNIFE HANDLE**
- (75) Inventor: **Jeffrey M. Freeman**, Tigard, OR (US)
- (73) Assignee: **Fiskars Brands, Inc.**, Madison, WI (US)
- (**) Term: **14 Years**
- (21) Appl. No.: **29/306,814**
- (22) Filed: **Apr. 16, 2008**

Related U.S. Application Data

- (63) Continuation of application No. 10/847,239, filed on May 17, 2004.
- (51) **LOC (8) Cl.** **08-03**
- (52) **U.S. Cl.** **D8/107**
- (58) **Field of Classification Search** D8/20,
D8/98-100, 107; D7/649; D22/118; 30/151-162
See application file for complete search history.

(56) **References Cited**

U.S. PATENT DOCUMENTS

361,315 A	4/1887	Nuessle	
842,173 A	1/1907	Carman	
1,018,210 A	2/1912	Marsh	
2,137,800 A	11/1938	Davey	
3,315,356 A	4/1967	Swanke et al.	
3,418,713 A	12/1968	Bauer	
D226,410 S *	2/1973	Kunze	D7/649
3,750,283 A	8/1973	Hoffman	
3,943,934 A	3/1976	Bent	
3,977,079 A	8/1976	Rebold	
4,011,657 A	3/1977	Vance	
4,028,806 A	6/1977	Sheldon	
4,068,375 A	1/1978	Rathbun et al.	
4,133,106 A *	1/1979	Addis	30/160
4,170,061 A *	10/1979	Henry	30/160
4,173,071 A	11/1979	Ishida	
4,233,737 A	11/1980	Poehlmann	
4,249,306 A	2/1981	Benson	
4,391,043 A	7/1983	Sizemore et al.	
4,404,748 A	9/1983	Wiethoff	
4,408,394 A	10/1983	Phelps	

4,509,260 A	4/1985	Gringer	
4,757,612 A	7/1988	Peyrot	
4,761,882 A *	8/1988	Silverstein	30/162
4,817,284 A	4/1989	Sacherman et al.	
4,989,320 A	2/1991	Borkott et al.	
5,025,557 A	6/1991	Perreault	
D317,847 S *	7/1991	Loveless	D7/649
5,250,063 A	10/1993	Abidin et al.	
5,283,954 A	2/1994	Szabo	
5,303,474 A	4/1994	Keklak et al.	
D351,328 S *	10/1994	Hasegawa	D8/107
D371,289 S *	7/1996	Huang	D8/107
5,581,893 A	12/1996	Ouellette	
5,729,904 A	3/1998	Trott	
5,878,500 A *	3/1999	Emerson	30/158
5,926,959 A	7/1999	Collins	
6,131,292 A	10/2000	Reddig	

(Continued)

OTHER PUBLICATIONS

Bolt-Action Knives, Gerber Legendary Blades Catalog, 1994, 1 page.

(Continued)

Primary Examiner—Cathron Brooks
Assistant Examiner—Barbara Fox
(74) *Attorney, Agent, or Firm*—Foley & Lardner LLP

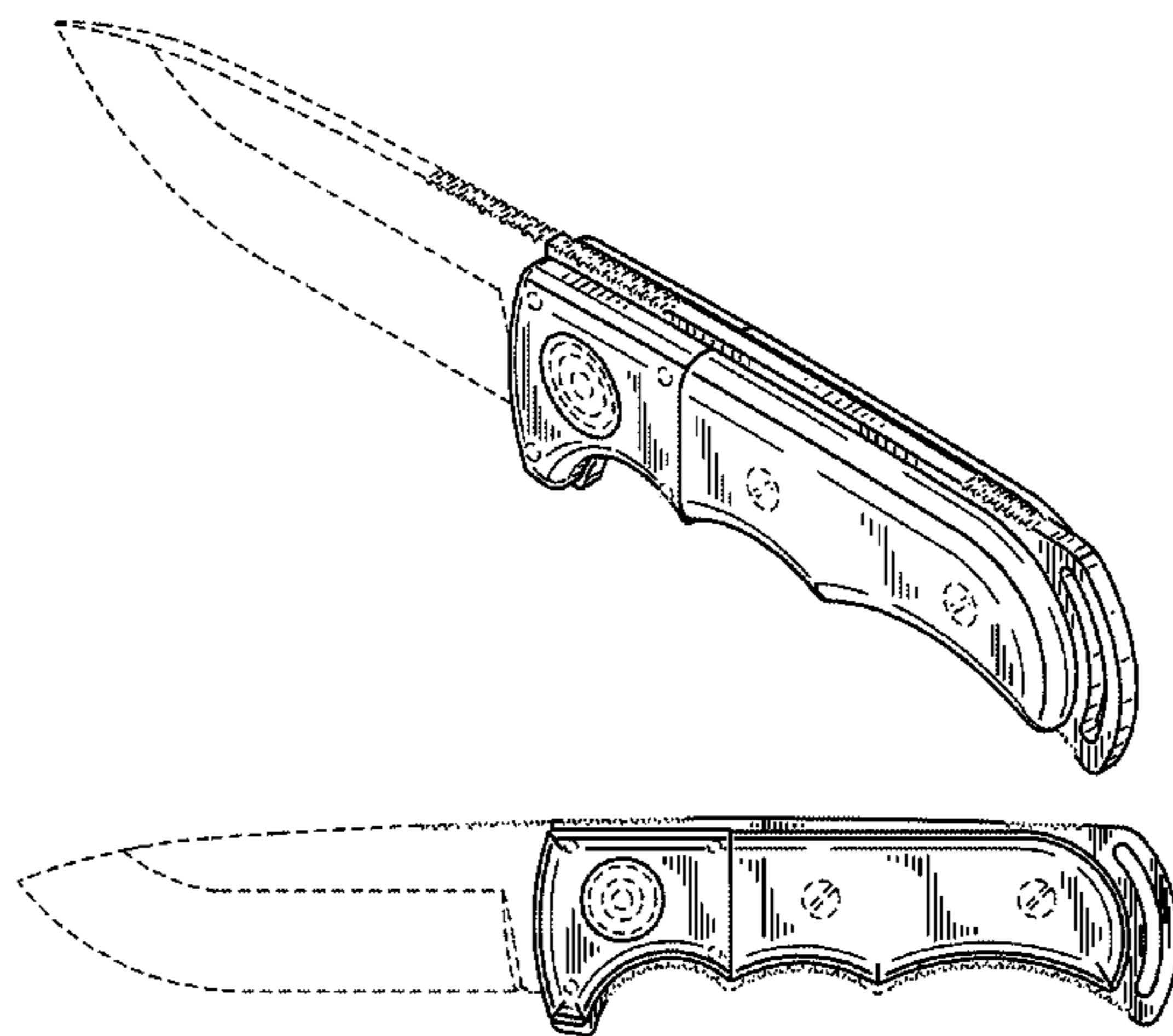
(57) **CLAIM**

I claim the ornamental design for a knife handle, as shown and described.

DESCRIPTION

FIG. 1 is a perspective view of a knife handle showing the claimed design;
FIG. 2 is a side elevation view of the claimed design.
FIG. 3 is a top elevation view of the claimed design.
FIG. 4 is a front elevation view of the claimed design; and,
FIG. 5 is a rear elevation view of the claimed design.
The broken lines in the drawings are for illustrative purposes only and form no part of the claimed design.

1 Claim, 1 Drawing Sheet



US D581,241 S

Page 2

U.S. PATENT DOCUMENTS

D433,913 S * 11/2000 Pardue D8/99
6,148,522 A 11/2000 Dobandi
D442,461 S * 5/2001 Glesser D8/99
6,260,281 B1 7/2001 Okumura et al.
6,263,581 B1 7/2001 Forte
6,289,592 B1 * 9/2001 Emerson 30/161
6,308,418 B1 10/2001 Sweet
6,330,749 B1 12/2001 Khachatoorian et al.
6,367,154 B2 4/2002 Degabli
6,638,290 B2 10/2003 Pascaloff et al.
7,174,590 B1 2/2007 Quenzi

2003/0079353 A1 5/2003 Lovell et al.

OTHER PUBLICATIONS

Gator® Exchange-A-Blade™ Saw, Product No. 6047, believed to have been available prior to May 17, 2004, 1 page.
Katz Knives, Inc., Symbol of Quality Knives, Katz Knives Catalog, 2003, 2 pages.
Bladetraders, printed from website www.kershawknives.com on Mar. 18, 2004, 2 pages.
Safari Kit, printed from website www.katzknives.com on Mar. 18, 2004, 3 pages.

* cited by examiner

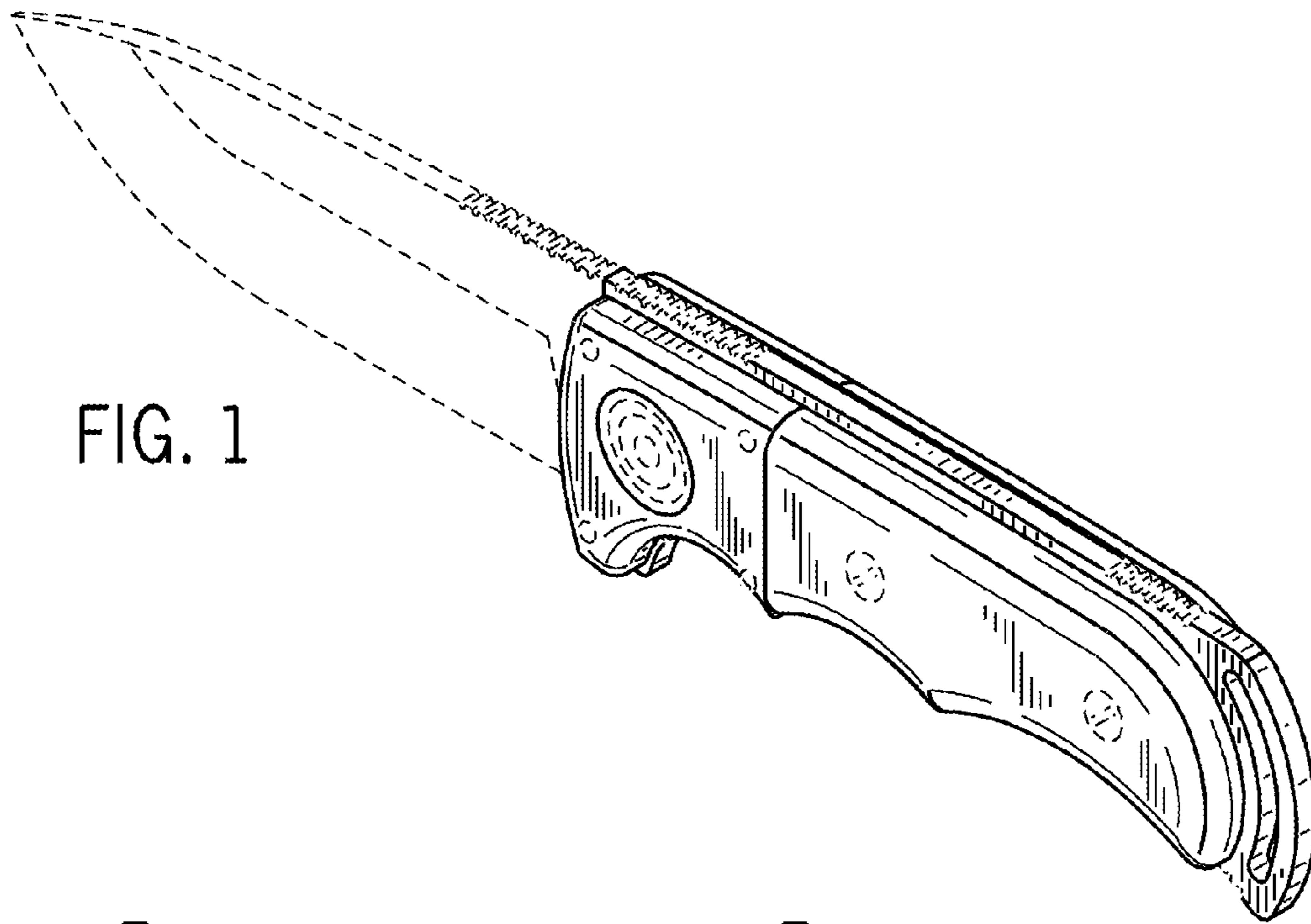


FIG. 1

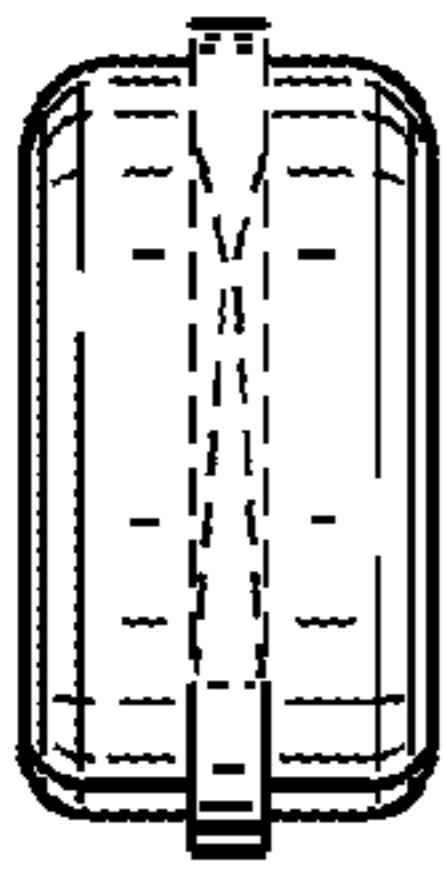


FIG. 4

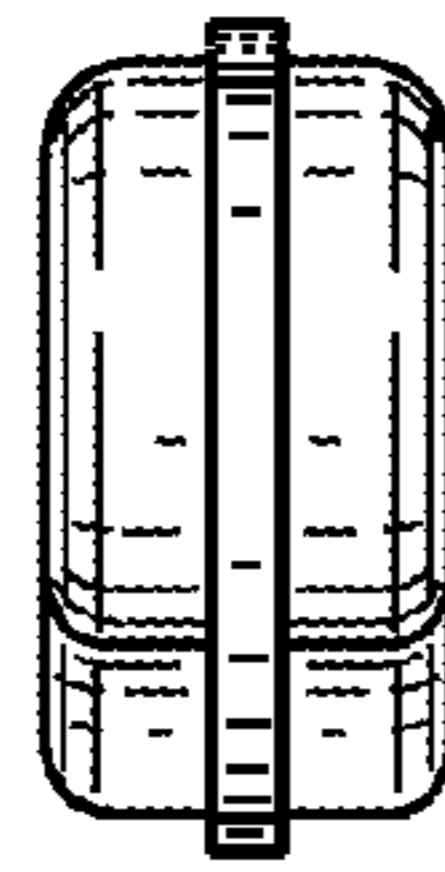


FIG. 5

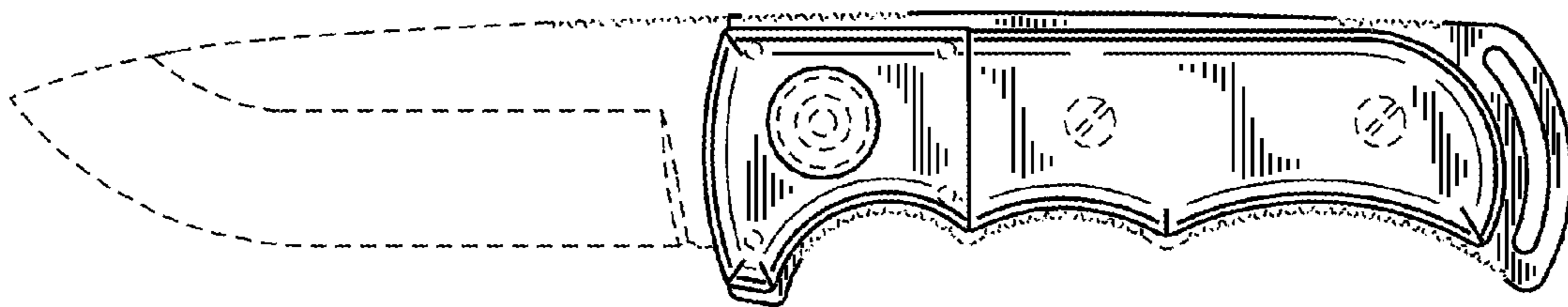


FIG. 2



FIG. 3