



US00D581240S

(12) **United States Design Patent**  
**Glesser et al.**

(10) **Patent No.:** **US D581,240 S**

(45) **Date of Patent:** **\*\* Nov. 25, 2008**

(54) **FOLDING KNIFE WITH AN EXTERNAL  
OPENING MECHANISM**

*Primary Examiner*—Philip S Hyder  
(74) *Attorney, Agent, or Firm*—Sheridan Ross P.C.

(75) Inventors: **Louis S. Glesser**, Evergreen, CO (US);  
**Craig S. Douglas**, Ocean Springs, MS  
(US); **Tracey H. Rinaldi**, Hemet, CA  
(US)

(57) **CLAIM**

The ornamental design for a folding knife with an external opening mechanism, as shown and described.

(73) Assignee: **Spyderco, Inc.**, Golden, CO (US)

(\*\*) Term: **14 Years**

**DESCRIPTION**

(21) Appl. No.: **29/298,595**

FIG. 1 is a front perspective view of a folding knife with an external opening mechanism, showing my new design in an open position the broken lines representing environment and forming no part of the claimed design;

(22) Filed: **Dec. 7, 2007**

(51) **LOC (8) Cl.** ..... **08-03**

(52) **U.S. Cl.** ..... **D8/99**

(58) **Field of Classification Search** ..... D8/99,  
D8/98, 107; D22/118; 30/155, 156, 157,  
30/158, 159, 160, 161

FIG. 2 is a front elevation view of the invention illustrated in FIG. 1;

FIG. 3 is a rear elevation view of the invention illustrated in FIG. 1;

See application file for complete search history.

FIG. 4 is a top plan view of the invention illustrated in FIG. 1;

(56) **References Cited**

**U.S. PATENT DOCUMENTS**

552,077 A 12/1895 Wagner  
(Continued)

FIG. 5 is a bottom plan view of the invention illustrated in FIG. 1;

FIG. 6 is a right elevation view of the invention illustrated in FIG. 1;

**FOREIGN PATENT DOCUMENTS**

CA 1130567 8/1982  
(Continued)

FIG. 7 is a left elevation view of the invention illustrated in FIG. 1;

**OTHER PUBLICATIONS**

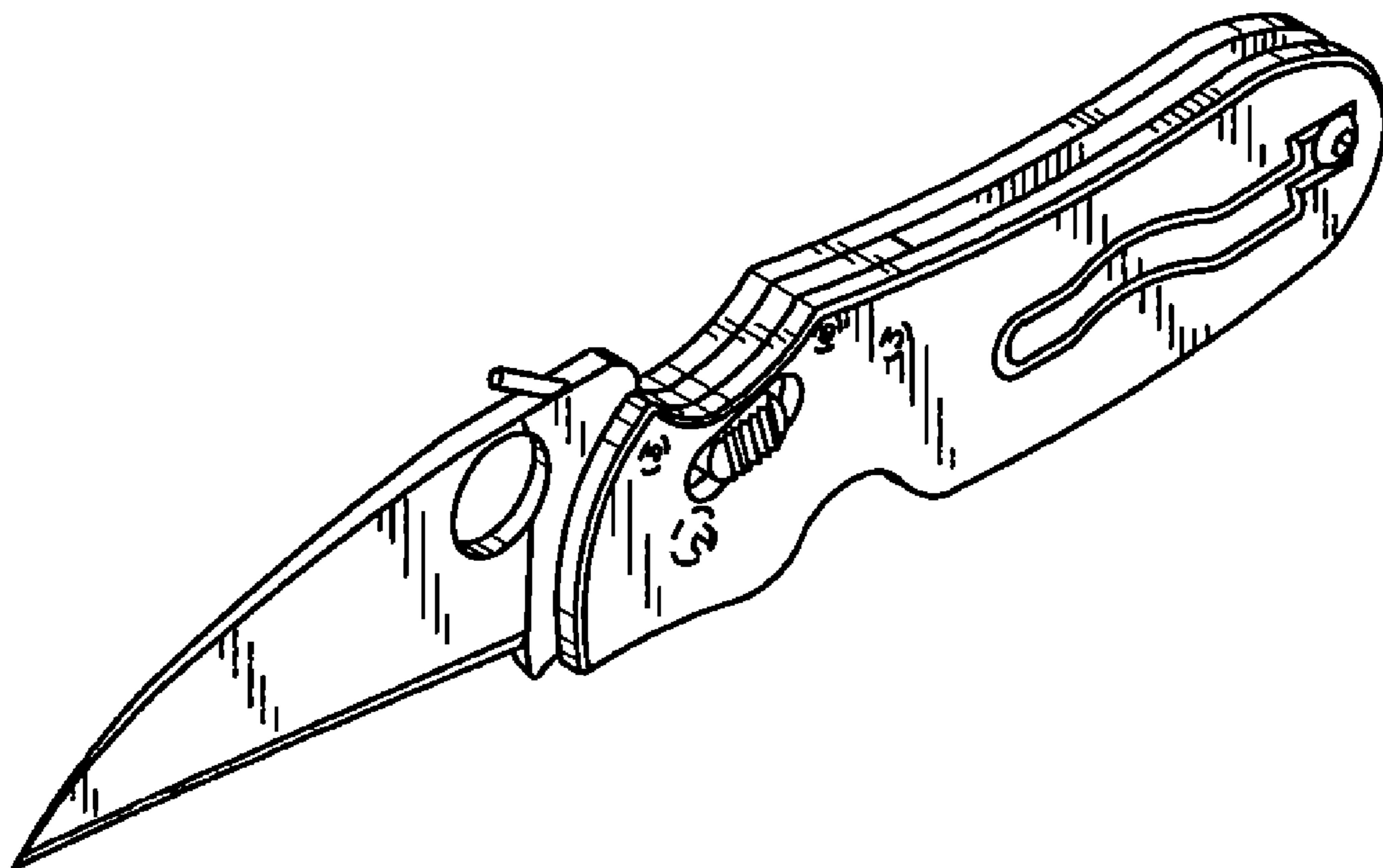
Picture of a C40 Jot Singh Khalsa CLIPIT, date unknown, 1 page.

FIG. 8 is a front elevation view of the invention illustrated in FIG. 1, in a closed position; and,

FIG. 9 is a rear elevation view of the invention illustrated in FIG. 8 shown in a closed position.

(Continued)

**1 Claim, 2 Drawing Sheets**



# US D581,240 S

Page 2

U.S. PATENT DOCUMENTS							
749,230	A	1/1904	Severance	D347,375	S	5/1994	Sakai
1,194,503	A	8/1916	Jawoisch	D348,599	S	7/1994	Sakai
1,803,899	A	5/1931	Fuller	5,325,588	A	7/1994	Rogers
1,864,011	A	6/1932	Brown	D349,837	S	8/1994	Glesser
1,994,215	A	3/1935	Gaunt	D353,988	S	1/1995	Glesser
2,415,367	A	2/1947	Pavlovic	5,379,492	A	1/1995	Glesser
2,481,309	A	9/1949	Gunnarson	D356,723	S	3/1995	Sakai
D166,064	S	3/1952	Blecher	5,400,509	A	3/1995	Collins
2,630,114	A	3/1953	Hart	5,425,175	A	6/1995	Rogers
3,006,443	A	10/1961	Siler	D363,871	S	11/1995	Coggins
3,263,329	A	8/1966	Hennessy	D365,266	S	12/1995	Hasegawa
D224,388	S	7/1972	Wood	D366,408	S	1/1996	Sessions et al.
D224,389	S	7/1972	Wood	D367,599	S	3/1996	Sakai
3,731,961	A	5/1973	Becker	5,495,673	A	3/1996	Gardiner et al.
D227,071	S	6/1973	Bernadotte	5,495,674	A	3/1996	Taylor, Jr.
3,783,509	A	1/1974	Lake	5,502,895	A	4/1996	Lemaire
3,871,141	A	3/1975	Bonapace	5,511,310	A	4/1996	Sessions et al.
D237,458	S	11/1975	Laughlin	5,537,750	A	7/1996	Seber et al.
3,930,309	A	1/1976	Collins	5,542,139	A	8/1996	Boivin
3,942,394	A	3/1976	Juranitch	5,546,662	A	8/1996	Seber et al.
4,070,011	A	1/1978	Glesser	D373,716	S	9/1996	Keys et al.
4,133,106	A	1/1979	Addis	5,572,793	A	11/1996	Collins et al.
4,170,061	A	10/1979	Henry	5,580,019	A	12/1996	Glesser
D256,427	S	8/1980	Lile	5,581,888	A	12/1996	Lewis
D256,981	S	9/1980	Sakurai	D377,443	S	1/1997	Seber et al.
D257,056	S	9/1980	Spivey	5,594,966	A	1/1997	Goldman
4,231,194	A	11/1980	Glesser	5,596,808	A	1/1997	Lake et al.
4,266,591	A	5/1981	F'Geppert	D378,982	S	4/1997	Thompson
4,272,887	A	6/1981	Poehlmann	5,615,484	A	4/1997	Pittman
4,347,665	A	9/1982	Glesser	D379,294	S	5/1997	Lum
4,393,539	A	7/1983	Weissman	5,628,117	A	5/1997	Glesser
4,394,096	A	7/1983	Stevens	D379,579	S	6/1997	Pohl
4,447,950	A	5/1984	Mizelle	D382,189	S	8/1997	Viele
4,451,982	A	6/1984	Collins	D382,459	S	8/1997	Khalsa
D280,427	S	9/1985	Jones	5,661,908	A	9/1997	Chen
4,604,803	A	8/1986	Sawby	D384,871	S	10/1997	McWillis
4,640,058	A	2/1987	Glesser	D385,173	S	10/1997	McWillis
D288,898	S	3/1987	Osterhout	D386,664	S	11/1997	Glesser
4,696,129	A	9/1987	Roberts	5,685,079	A	11/1997	Brothers et al.
4,703,560	A	11/1987	Brooker	5,689,890	A	11/1997	Glesser
4,719,700	A	1/1988	Taylor, Jr.	D387,966	S	12/1997	Horn
D296,518	S	7/1988	Sadler	D388,150	S	12/1997	Glesser
4,759,153	A	7/1988	Cohen	D389,389	S	1/1998	Glesser
4,776,094	A	10/1988	Glesser	D389,718	S	1/1998	Wegner
4,778,094	A	10/1988	Fishback	5,704,129	A	1/1998	Glesser
4,805,303	A	2/1989	Gibbs	D391,465	S	3/1998	Glesser
4,811,486	A	3/1989	Cunningham	D392,539	S	3/1998	Balolia
4,819,289	A	4/1989	Gibbs	5,722,168	A	3/1998	Huang
D302,934	S	8/1989	Finn	5,737,841	A	4/1998	McHenry et al.
D303,210	S	9/1989	Thompson	5,755,035	A	5/1998	Weatherly
D304,154	S	10/1989	Osterhout	D397,017	S	8/1998	Pardue
4,901,439	A	2/1990	Boyd, Jr.	5,794,346	A	8/1998	Seber et al.
D310,014	S	8/1990	Inman	5,799,400	A	9/1998	Glesser
4,947,552	A	8/1990	Barnes	5,826,340	A	10/1998	Hull
D310,621	S	9/1990	Thompson	D402,178	S	12/1998	Glesser
4,974,323	A	12/1990	Cassady	D402,524	S	12/1998	Glesser
4,985,998	A	1/1991	Howard	D404,990	S	2/1999	Zowada
D317,037	S	5/1991	Koshiishi	D405,338	S	2/1999	Balolia
5,044,079	A	9/1991	Gibbs	D407,002	S	3/1999	Morton et al.
5,060,379	A	10/1991	Neely	5,878,500	A	3/1999	Emerson
5,060,890	A	10/1991	Utterback et al.	5,887,347	A	3/1999	Gibbs
D321,820	S	11/1991	Russell	D411,431	S	6/1999	Glesser
D324,899	S	3/1992	Thompson	D411,790	S	7/1999	Glesser
5,093,995	A	3/1992	Jan	D412,355	S	7/1999	Saetherbo
5,111,581	A	5/1992	Collins	5,964,036	A	10/1999	Centofante ..... 30/161
5,131,149	A	7/1992	Thompson et al.	5,983,506	A	11/1999	Glesser
D333,081	S	2/1993	Glesser	D418,383	S	1/2000	Bradichansky
D333,251	S	2/1993	Glesser	D421,378	S	3/2000	Glesser
D333,859	S	3/1993	Meyer	D422,871	S	4/2000	Terzuola
D337,253	S	7/1993	Glesser	D425,391	S	5/2000	Bradichansky
D344,006	S	2/1994	Glesser	6,088,861	A	7/2000	Sessions et al.
				6,122,829	A	9/2000	McHenry et al.
				D435,420	S	12/2000	Ayoob

# US D581,240 S

Page 3

6,154,965 A 12/2000 Sakai  
D438,443 S 3/2001 Keating  
D441,827 S 5/2001 Frank  
6,360,443 B1 3/2002 Remus  
6,363,615 B1 4/2002 Moser  
6,397,477 B1 6/2002 Collins  
6,490,797 B1 12/2002 Lake et al.  
6,523,265 B2 2/2003 Eickhorn  
D474,669 S \* 5/2003 Onion ..... D8/99  
6,591,505 B2 7/2003 Flavigny  
D495,940 S \* 9/2004 Keppel et al. .... D8/99  
D509,124 S \* 9/2005 Keppel et al. .... D8/99  
D523,317 S \* 6/2006 Ryan et al. .... D8/99  
D553,467 S \* 10/2007 Ryan ..... D8/99

## FOREIGN PATENT DOCUMENTS

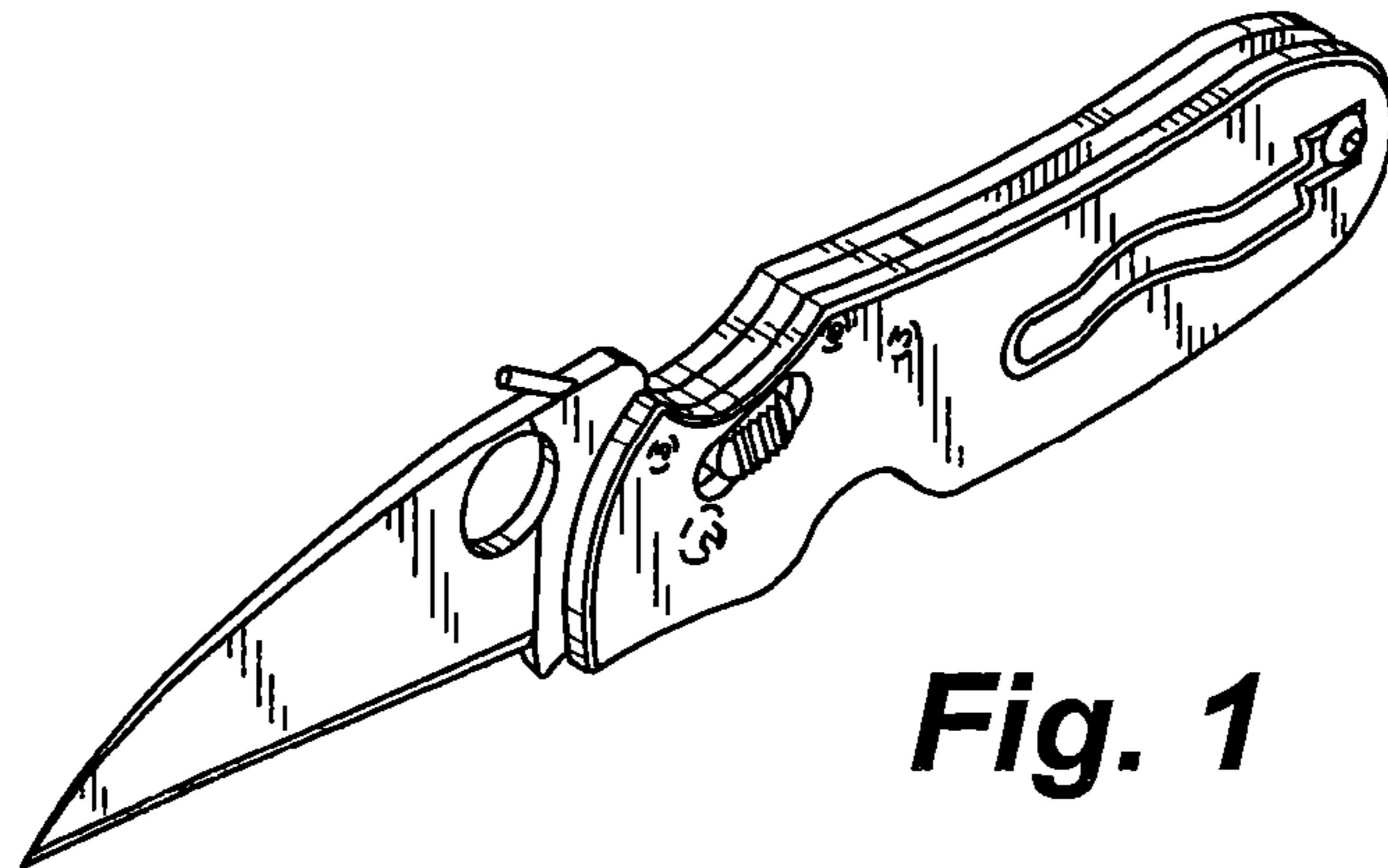
DE 3041584 6/1982  
DE 3217529 1/1983  
DE 3834295 7/1989  
FR 2495-986 6/1982  
GB 189822620 0/1898  
GB 2084058 9/1980

## OTHER PUBLICATIONS

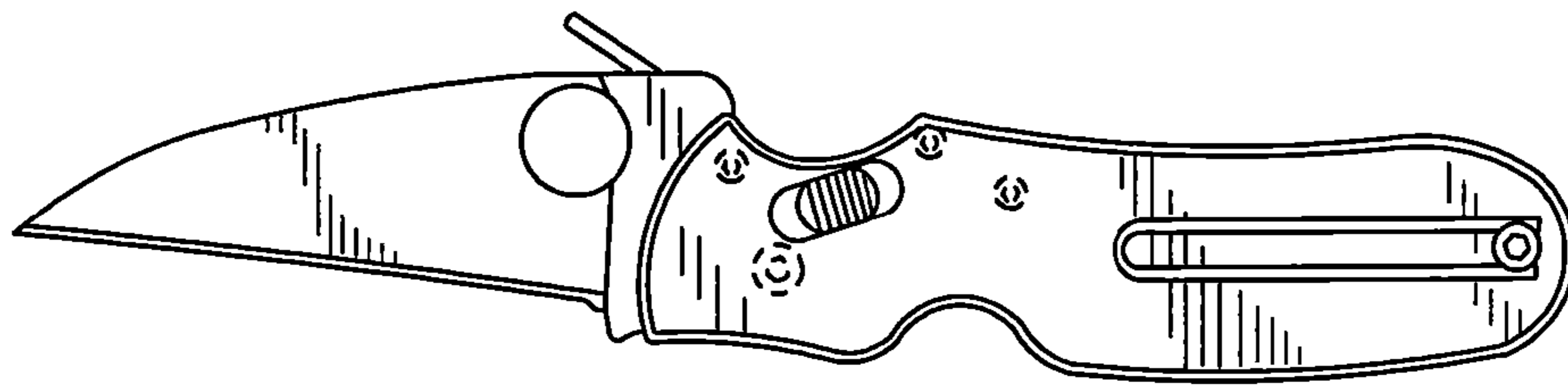
“The Bud K Catalog”, Bud K Worldwide, Early Fall 2000, p. 3, front and back cover.

“Spyderco “CLIPITSTM” Flip Open With One Hand”, date unknown, p. 28.  
“Knives and Tools for Modern Man”, The Edge Company, date unknown, p. 25.  
“Ironstone”, Catalog of Knives and Accessories, Fall/Winter 1995-1996, cover, pp. 6-7 and 10-13.  
“Spyderco “CLIPITSTM””, date unknown, pp. 30-31.  
Catalog page featuring Gerber Knives, Winter 1995/96, p. 32.  
“Dear Spyderco Customer” Letter from Spyderco, Inc., Nov. 1, 2006, 2 pages.  
“To Our Valuable Distributors and Dealers” Letter from Spyderco, Inc., Nov. 1, 2006, 4 pages.  
“SpyderEdge”, Spyderco, Inc., 4th Quarter, 2001, pp. 1-6.  
“Spyderco 2001 Dealer Catalog”, Spyderco, Inc., 2001, 40 pages.  
“Spyderco Y2K Dealer Catalog”, Spyderco, Inc., 2000, 36 pages.  
“Spyderco 2007 Product Guide”, Spyderco, Inc., 2007, 74 pages.  
“Spyderco 2007 Dealer Pricing”, Spyderco, Inc., 2007, 4 pages.  
“Latest Designs from Spyderco”, date unknown, pp. 1-2.  
“Spyderco Think About It . . . All God’s Critters Have Knives”, Spyderco, Inc. 1996.  
“Welcome to the World of Spyderco”, Spyderco Brochure, Spyderco, Inc., 1998, 42 pages.  
“Spyderco 2001” Spyderco, Inc. 2001, 2 pages.  
“Spyderco 2002” Spyderco, Inc. 2002, 3 pages.

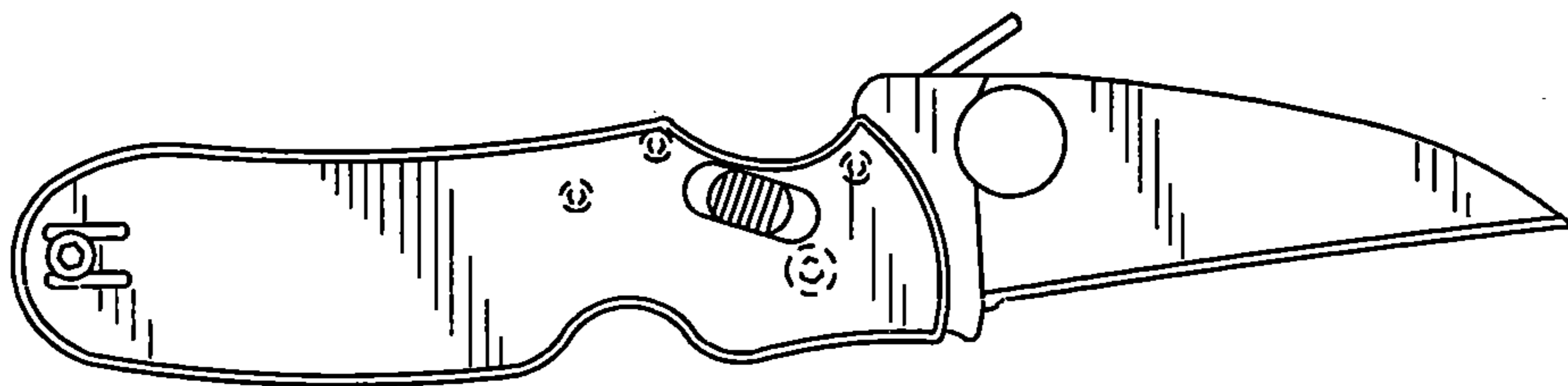
\* cited by examiner



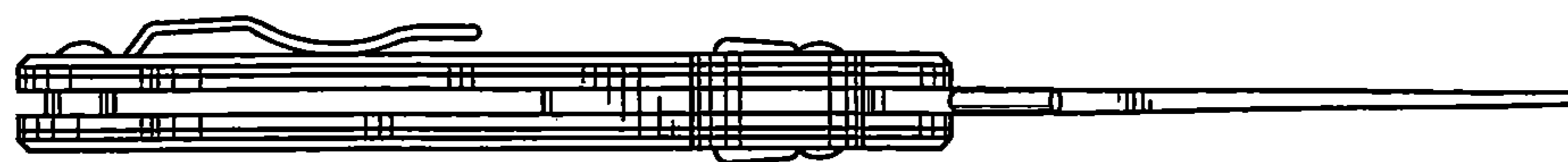
**Fig. 1**



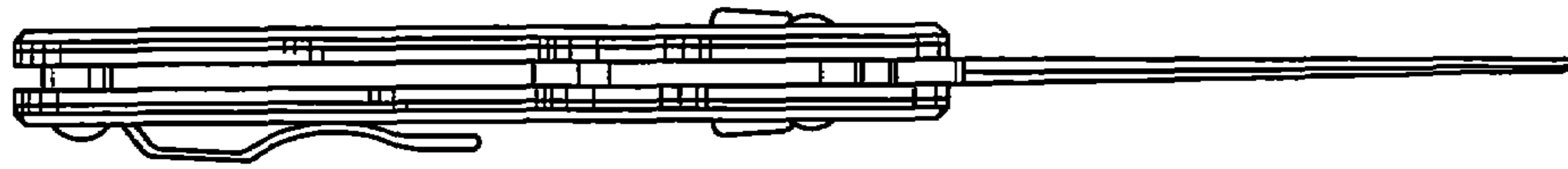
**Fig. 2**



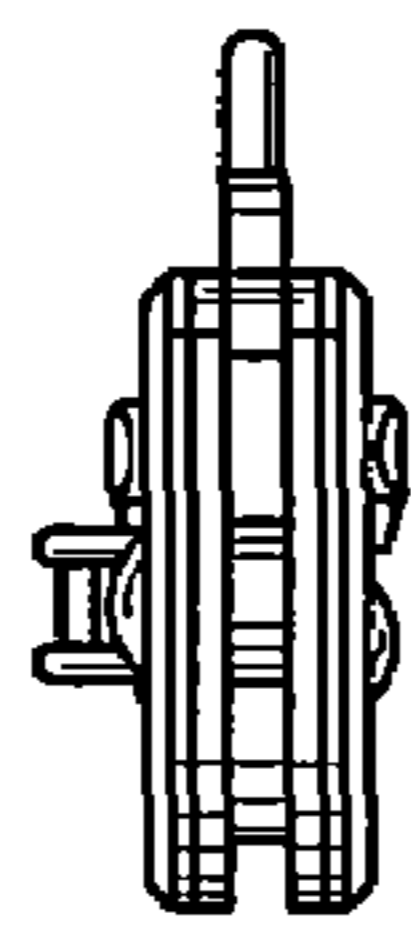
**Fig. 3**



**Fig. 4**



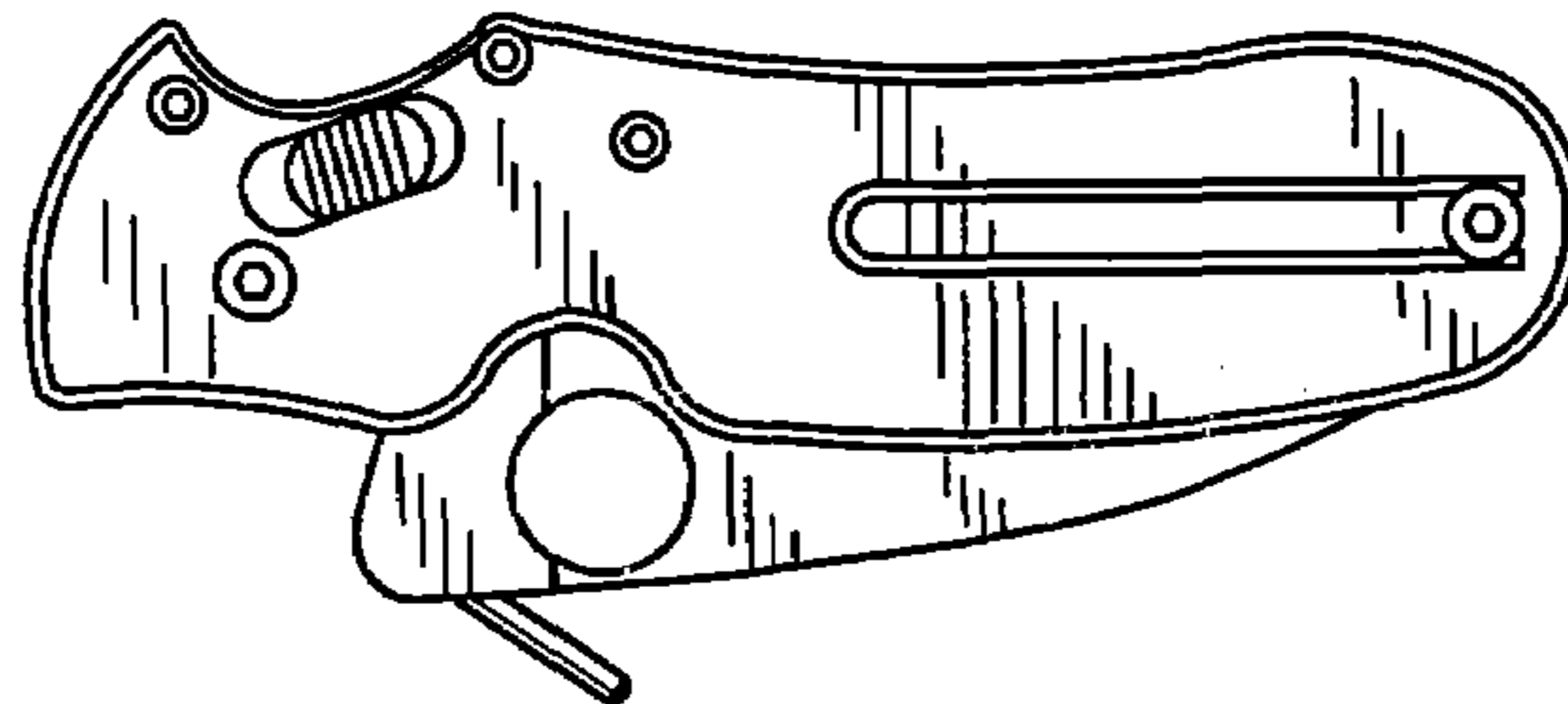
**Fig. 5**



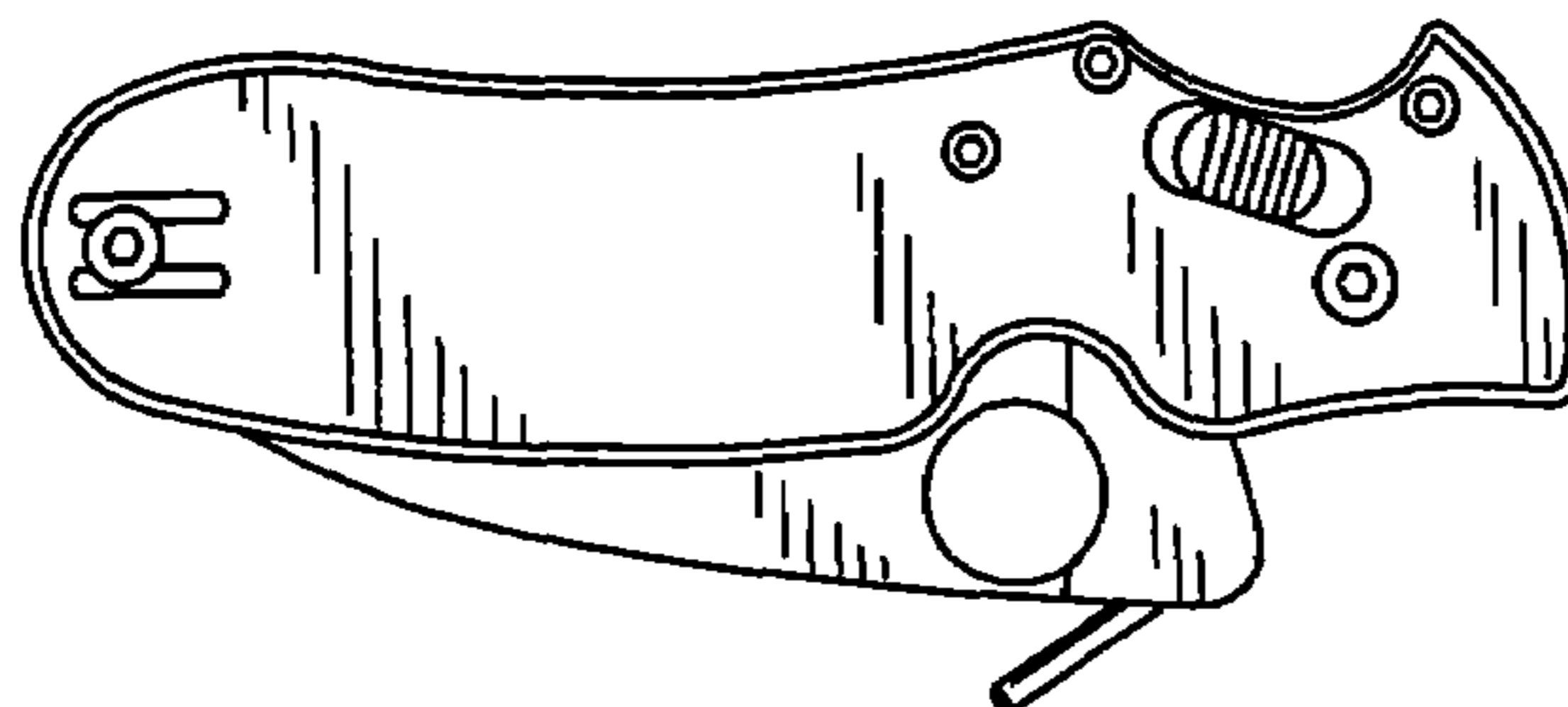
**Fig. 6**



**Fig. 7**



**Fig. 8**



**Fig. 9**