



US00D581239S

(12) **United States Design Patent**
Gibbs

(10) **Patent No.:** **US D581,239 S**

(45) **Date of Patent:** **** Nov. 25, 2008**

(54) **KNIFE**

D411,430 S * 6/1999 Huang D8/98
D533,944 S * 12/2006 Sullivan et al. D24/147

(76) Inventor: **Douglas P. Gibbs**, 779 Shasta St., Yuba
City, CA (US) 95991

* cited by examiner

(**) Term: **14 Years**

Primary Examiner—Philip S Hyder

(21) Appl. No.: **29/276,857**

(57) **CLAIM**

(22) Filed: **Feb. 7, 2007**

The ornamental design for a knife, as shown and described.

(51) **LOC (8) Cl.** **08-03**

DESCRIPTION

(52) **U.S. Cl.** **D8/98**

FIG. 1 is an upper perspective view of a knife showing my new design.

(58) **Field of Classification Search** D8/14,

FIG. 2 is a top view of a knife showing my new design.

D8/98, 99, 107; 30/151, 162, 329, 337, 2;

FIG. 3 is a bottom view of a knife showing my new design.

D24/146

FIG. 4 is a left side view of a knife showing my new design.

See application file for complete search history.

FIG. 5 is a right side view of a knife showing my new design.

(56) **References Cited**

U.S. PATENT DOCUMENTS

FIG. 6 is an enlarged rear view of a knife showing my new design; and,

D155,561 S * 10/1949 Weiss D8/98

FIG. 7 is an enlarged front view of a knife showing my new design.

D166,172 S * 3/1952 Bureau D8/98

2,650,426 A * 9/1953 Montelius 30/339

4,071,952 A * 2/1978 Meshulam et al. 30/151

4,173,071 A * 11/1979 Ishida 30/339

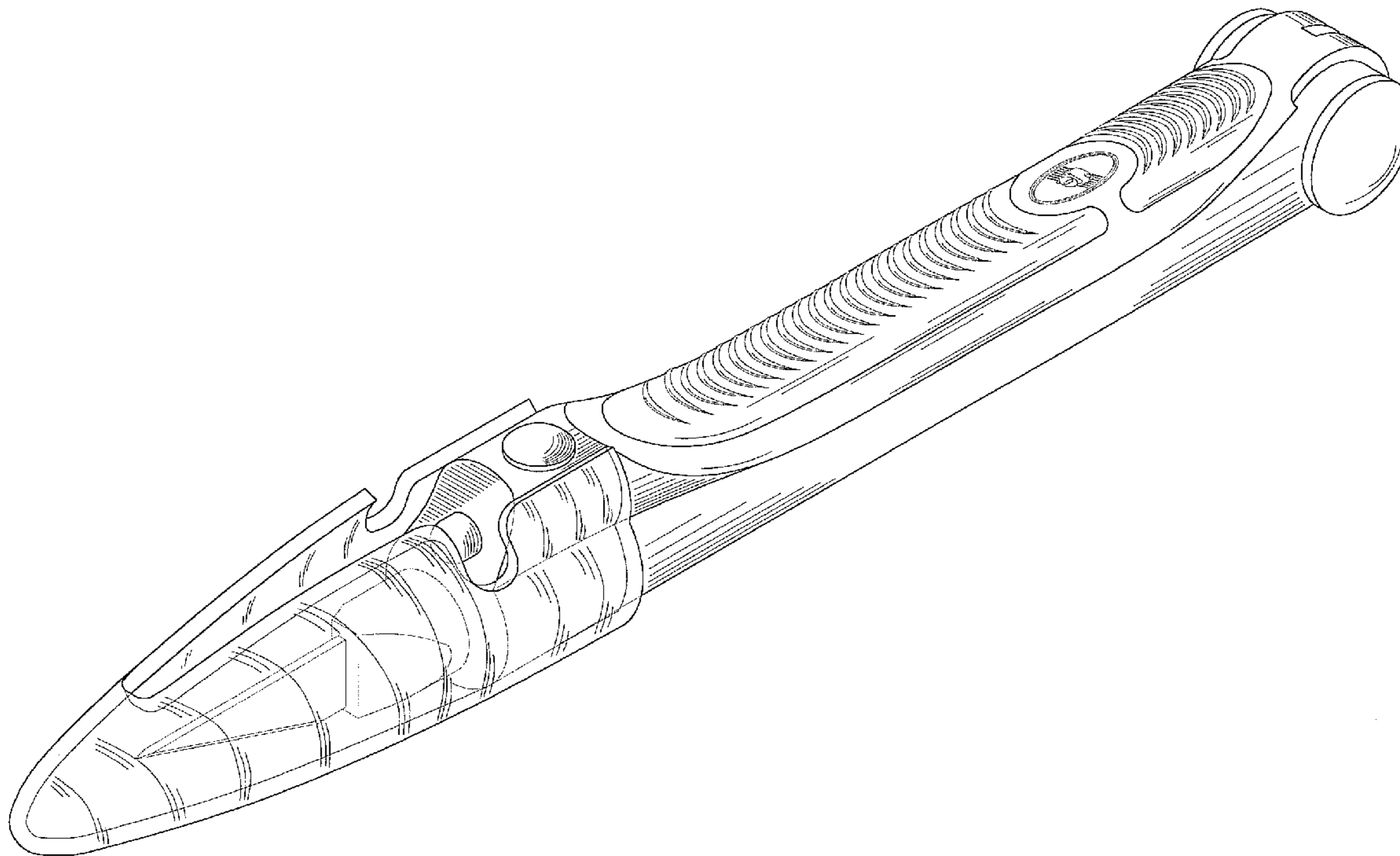
4,617,735 A * 10/1986 Silverstein 30/151

D313,540 S * 1/1991 Toor et al. D8/98

D345,290 S * 3/1994 Sauber D8/107

D383,962 S * 9/1997 Daley et al. D8/98

1 Claim, 7 Drawing Sheets



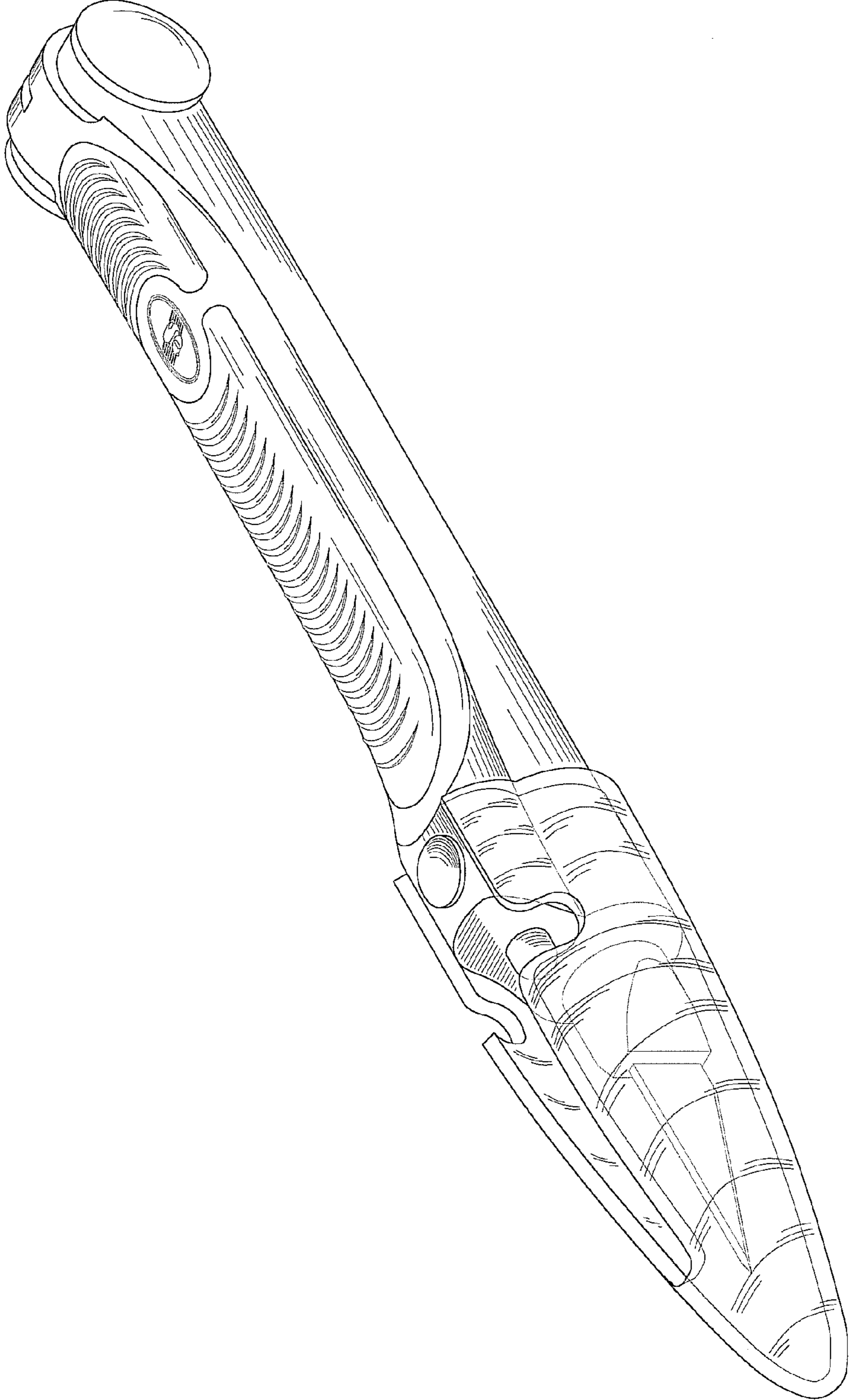


FIG. 1

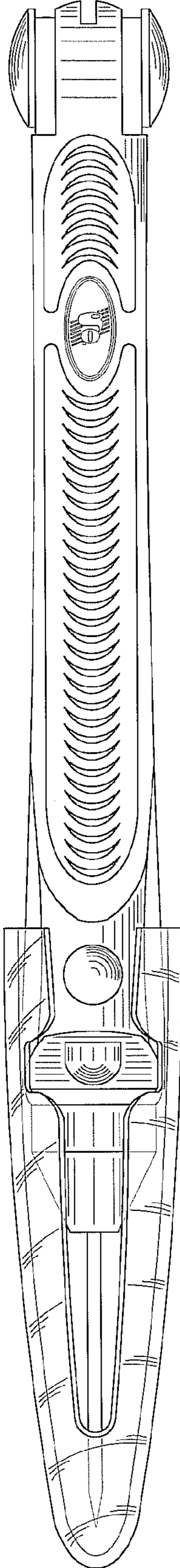


FIG. 2

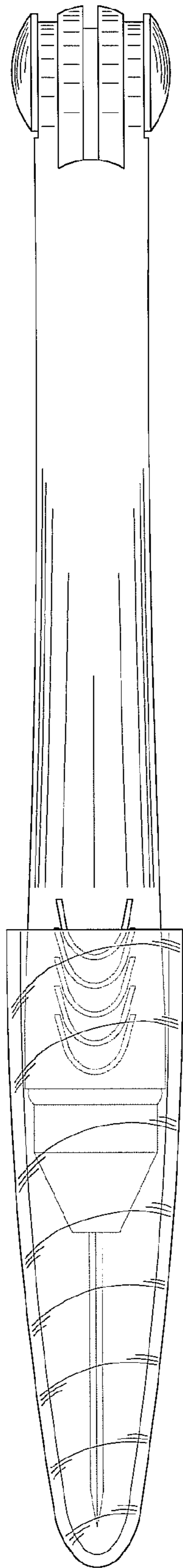


FIG. 3

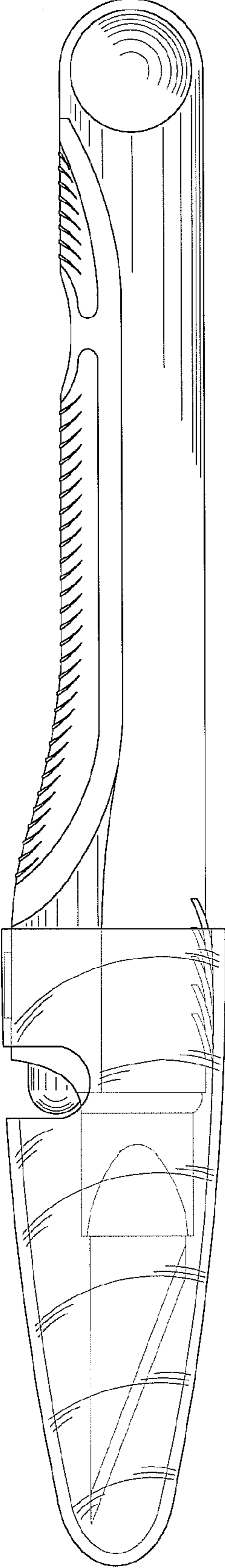


FIG. 4

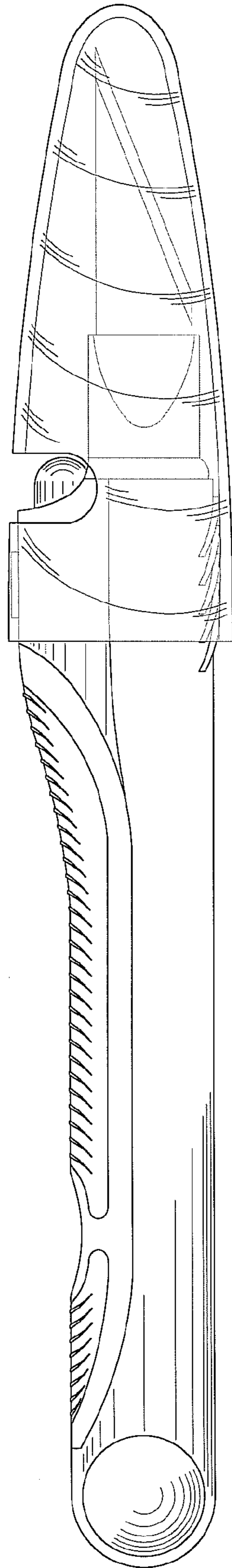


FIG. 5

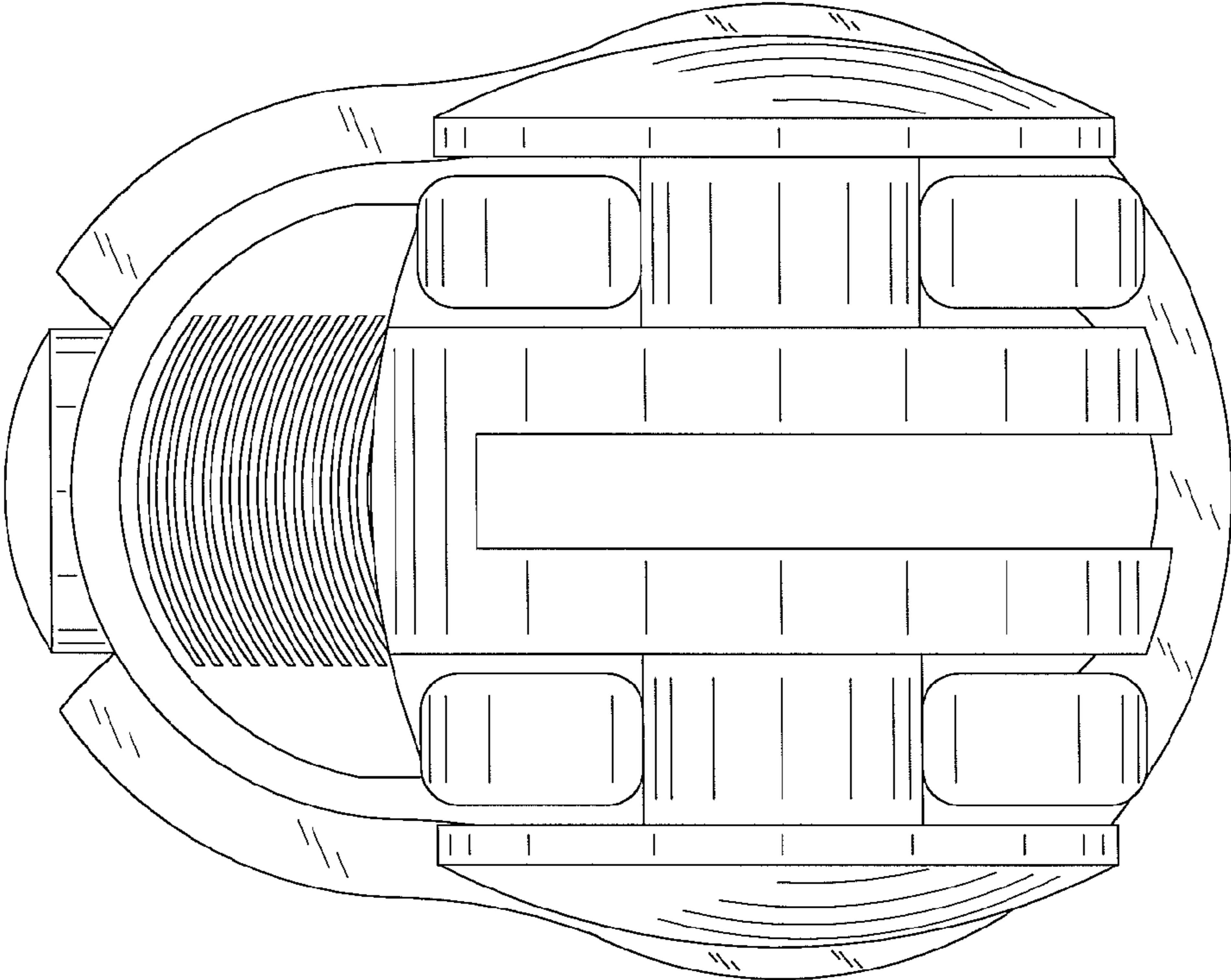


FIG. 6

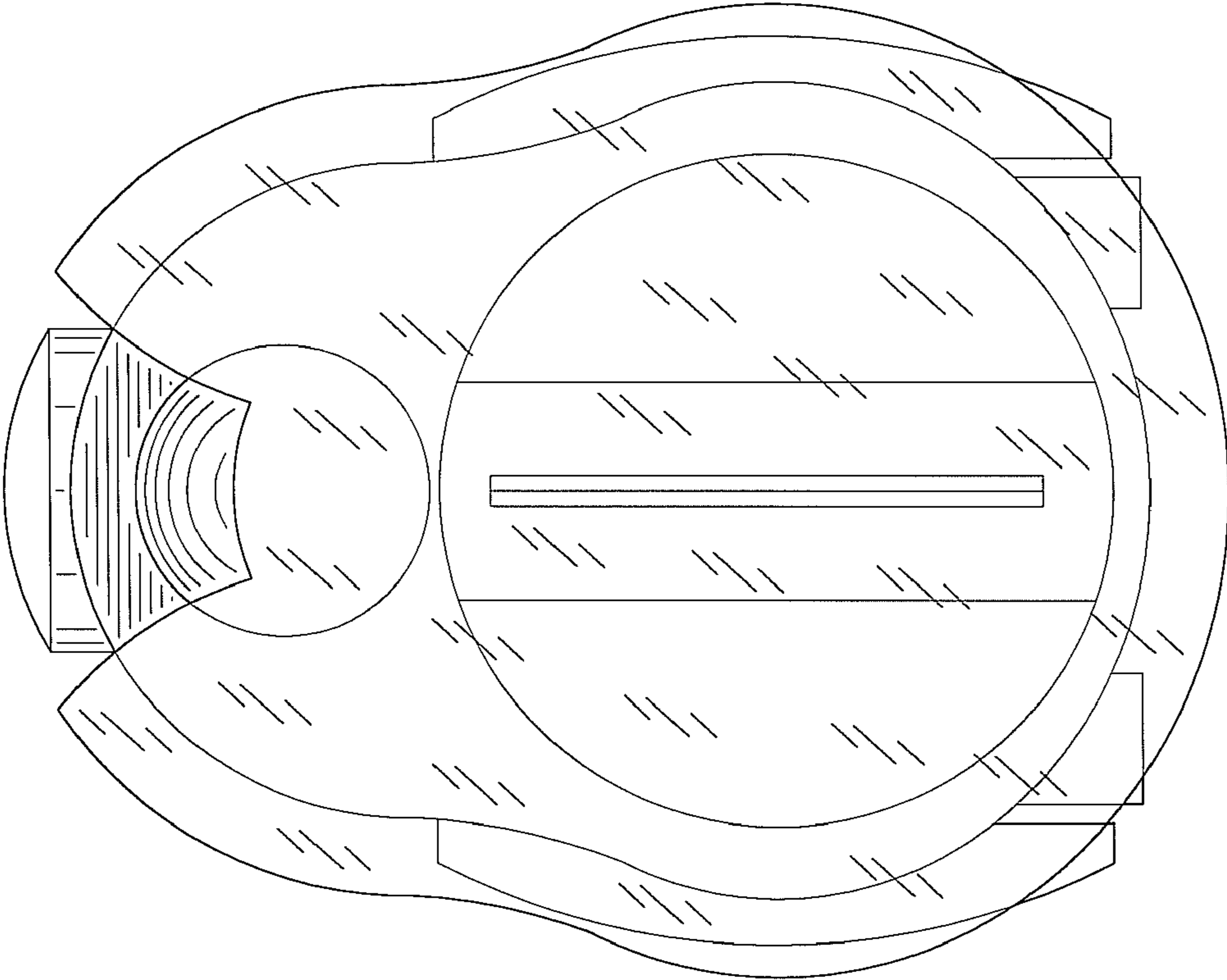


FIG. 7