



US00D581237S

(12) **United States Design Patent**
Okamoto et al.

(10) **Patent No.:** **US D581,237 S**

(45) **Date of Patent:** **** Nov. 25, 2008**

(54) **POLISHING PAD**

(75) Inventors: **Takahiro Okamoto**, Tokyo (JP);
Hiroshi Shiho, Tokyo (JP)

(73) Assignee: **JSR Corporation**, Tokyo (JP)

(**) Term: **14 Years**

(21) Appl. No.: **29/296,712**

(22) Filed: **Oct. 26, 2007**

Related U.S. Application Data

(62) Division of application No. 29/213,405, filed on Sep. 17, 2004, now Pat. No. Des. 559,063.

(30) **Foreign Application Priority Data**

Mar. 17, 2004 (JP) 2004-8160
Mar. 17, 2004 (JP) 2007-8159

(51) **LOC (8) Cl.** **08-05**

(52) **U.S. Cl.** **D8/70**

(58) **Field of Classification Search** D8/61,
D8/62, 63, 70; D15/124, 126, 138, 139,
D15/140; 15/230; 83/835; 451/6, 60, 287,
451/288, 359, 446, 526, 527, 533, 541, 548,
451/550

See application file for complete search history.

(56) **References Cited**

U.S. PATENT DOCUMENTS

88,649 A 4/1869 Machamer
(Continued)

FOREIGN PATENT DOCUMENTS

JP 1155898 3/2002
(Continued)

OTHER PUBLICATIONS

U.S. Appl. No. 29/295,220, filed Sep. 24, 2007, Okamoto, et al.
(Continued)

Primary Examiner—T. Chase Nelson

(74) *Attorney, Agent, or Firm*—Oblon, Spivak, McClelland,
Maier & Neustadt, P.C.

(57) **CLAIM**

The ornamental design for a polishing pad, as shown and described.

DESCRIPTION

FIG. 1 is a top plan view of a polishing pad, showing our new design;

FIG. 2 is a bottom plan view thereof;

FIG. 3 is a front elevational view thereof, the left side elevational view, the right side elevational view and the rear elevational view being a mirror image of the front view shown;

FIG. 4 is an enlarged, partial view thereof taken at coordinates 4—4 in FIG. 1;

FIG. 5 is a greatly enlarged, view thereof taken at coordinates 5—5 in FIG. 1;

FIG. 6 is a cross-sectional view thereof taken along line 6—6 in FIG. 5;

FIG. 7 is a greatly enlarged, partial cross-sectional view of part 7 shown in FIG. 6;

FIG. 8 is a greatly enlarged, partial view thereof taken at coordinates 8-5 in FIG. 1;

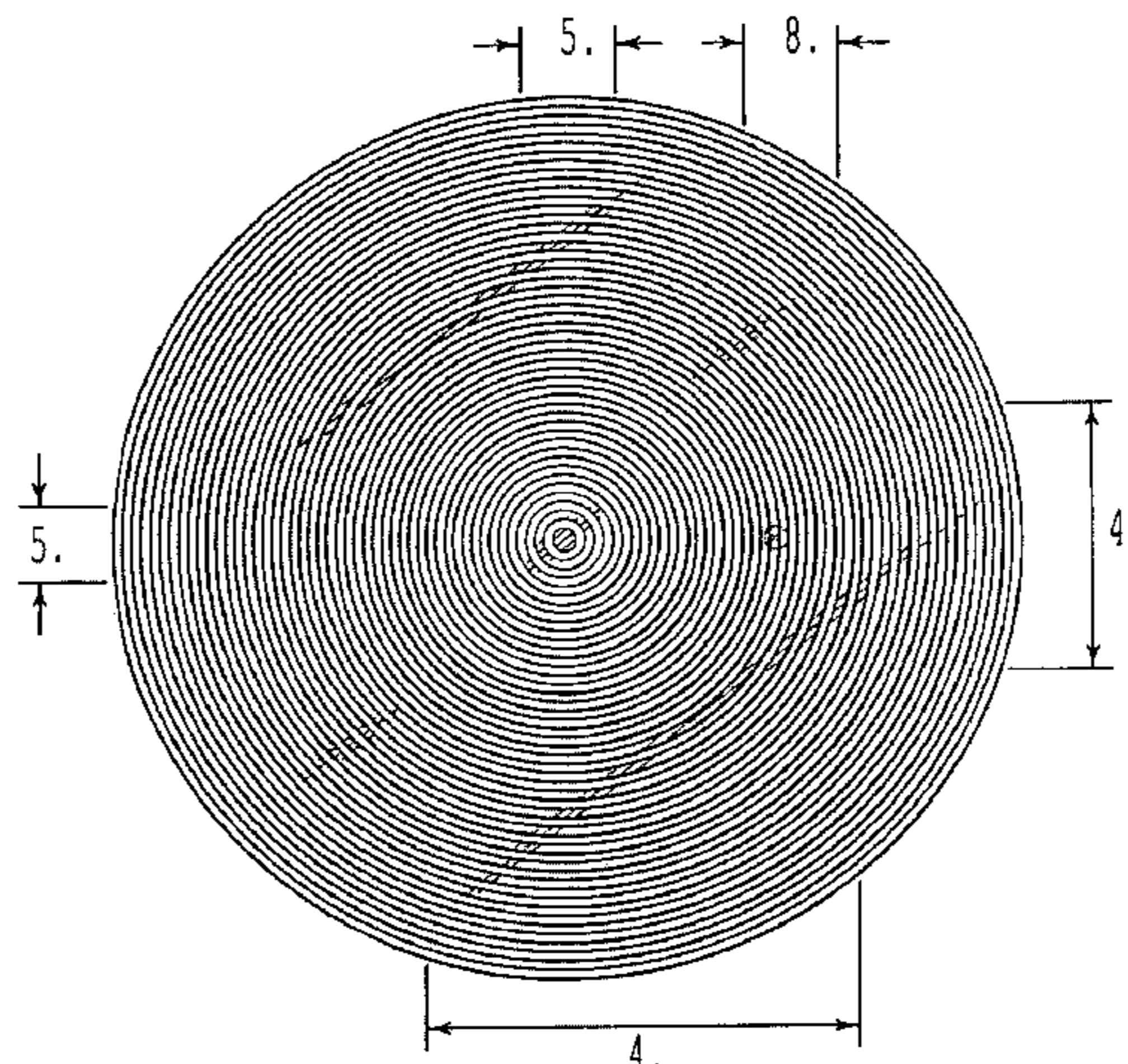
FIG. 9 is a cross-sectional view thereof taken along line 9—9 in FIG. 8;

FIG. 10 is a further enlargement of the cross-sectional view of part 10 in FIG. 9;

FIG. 11 is a further enlargement of the cross-sectional view of part 11 in FIG. 7; and,

FIG. 12 is a further enlargement of the cross-sectional view of part 12 of FIG. 10.

1 Claim, 7 Drawing Sheets



US D581,237 S

Page 2

U.S. PATENT DOCUMENTS

494,471	A	3/1893	Gardner	
1,092,588	A	4/1914	Monkiawicz	
1,569,403	A	1/1926	Slye	
3,046,708	A	7/1962	Prunier	
5,007,207	A	4/1991	Phaal	
5,131,190	A	7/1992	Gougouyan	
5,507,740	A	4/1996	O'Donnell, Jr.	
5,733,178	A	3/1998	Ohishi	
5,778,481	A	7/1998	Amsden et al.	
5,899,799	A	5/1999	Tjaden et al.	
5,921,855	A	7/1999	Osterheld et al.	
5,984,769	A	11/1999	Bennett et al.	
6,066,266	A	5/2000	Osugi et al.	
6,217,426	B1	4/2001	Tolles et al.	
6,248,000	B1	6/2001	Aiyer	
6,267,643	B1	7/2001	Teng et al.	
6,273,806	B1	8/2001	Bennett et al.	
6,332,830	B1	12/2001	Okamura et al.	
6,375,550	B1	4/2002	Berman	
6,387,312	B1	5/2002	Roberts et al.	
6,402,594	B1	6/2002	Kobayashi et al.	
6,443,810	B1	9/2002	Shih	
6,517,417	B2	2/2003	Budinger et al.	
6,520,847	B2	2/2003	Osterheld et al.	
6,544,111	B1	4/2003	Kimura et al.	
6,544,373	B2	4/2003	Chen et al.	
6,561,890	B2	5/2003	Tominaga	
6,645,061	B1	11/2003	Bennett et al.	
6,659,850	B2	12/2003	Korovin et al.	
6,685,548	B2	2/2004	Chen et al.	
6,699,115	B2	3/2004	Osterheld et al.	
6,702,651	B2	3/2004	Tolles	
6,749,486	B2	6/2004	Shibuki	
6,824,447	B2	11/2004	Takahashi et al.	
6,824,455	B2	11/2004	Osterheld et al.	
6,875,096	B2	4/2005	Park et al.	
6,899,607	B2	5/2005	Brown	
6,899,611	B2	5/2005	Reinhardt et al.	
D510,850	S	10/2005	Boler, Jr.	
6,951,510	B1	10/2005	Rodriguez et al.	
6,960,123	B2	11/2005	Mitarai	
7,029,747	B2	4/2006	Huh et al.	
7,059,937	B2	6/2006	Brown	
7,070,480	B2	7/2006	Moon et al.	
7,112,119	B1	9/2006	Swedek et al.	
7,121,938	B2 *	10/2006	Suzuki	451/287
D533,200	S *	12/2006	Braunschweig et al.	D15/126
7,182,670	B2 *	2/2007	Muldowney	451/6

7,195,539	B2 *	3/2007	Turner et al.	451/533
7,195,541	B2 *	3/2007	Wolf	451/6
D541,317	S *	4/2007	Braunschweig et al.	D15/126
7,210,980	B2 *	5/2007	Swedek et al.	451/6
7,229,337	B2 *	6/2007	Lim et al.	451/287
7,255,629	B2 *	8/2007	Birang et al.	451/287
7,258,602	B2 *	8/2007	Shih et al.	451/527
7,273,407	B2 *	9/2007	Saikin	451/288
D559,064	S	1/2008	Okamoto et al.	
D559,065	S *	1/2008	Miyauchi et al.	D8/70
D559,066	S *	1/2008	Tano et al.	D8/70
D559,648	S *	1/2008	Miyauchi et al.	D8/70
D560,457	S *	1/2008	Miyauchi et al.	D8/70
2001/0031610	A1	10/2001	Budinger et al.	
2002/0137450	A1	9/2002	Osterheld et al.	
2002/0173231	A1	11/2002	Hasegawa	
2003/0068964	A1	4/2003	Akagami et al.	
2003/0092371	A1	5/2003	Osterheld et al.	
2003/0194962	A1	10/2003	Weber	
2003/0199234	A1	10/2003	Chen et al.	
2003/0207651	A1	11/2003	Kim et al.	
2004/0014413	A1	1/2004	Kawahashi et al.	
2004/0053570	A1	3/2004	Naujok	
2004/0058630	A1	3/2004	Park et al.	
2004/0072516	A1	4/2004	Osterheld et al.	
2004/0082271	A1	4/2004	Wiswesser et al.	
2004/0102144	A1	5/2004	Brown	
2004/0127145	A1	7/2004	Takahashi et al.	
2004/0259476	A1	12/2004	Korovin et al.	
2005/0113011	A1	5/2005	Miyauchi et al.	
2005/0245171	A1	11/2005	Hosaka et al.	
2006/0063471	A1	3/2006	Muldowney	
2006/0194530	A1	8/2006	Thomson et al.	
2006/0199473	A1	9/2006	Suzuki et al.	
2006/0217038	A1 *	9/2006	Wolf	451/6
2006/0240749	A1 *	10/2006	Yun et al.	451/287
2007/0054599	A1 *	3/2007	Taylor et al.	451/6
2007/0212979	A1 *	9/2007	Preston	451/6
2007/0212980	A1 *	9/2007	Lim et al.	451/6
2007/0232200	A1 *	10/2007	Natsui et al.	451/527
2008/0020690	A1 *	1/2008	Birang et al.	451/548
2008/0032602	A1 *	2/2008	Dalrymple et al.	451/6

FOREIGN PATENT DOCUMENTS

JP 1155897 8/2002

OTHER PUBLICATIONS

U.S. Appl. No. 29/296,712, filed Oct. 26, 2007, Okamoto, et al.

* cited by examiner

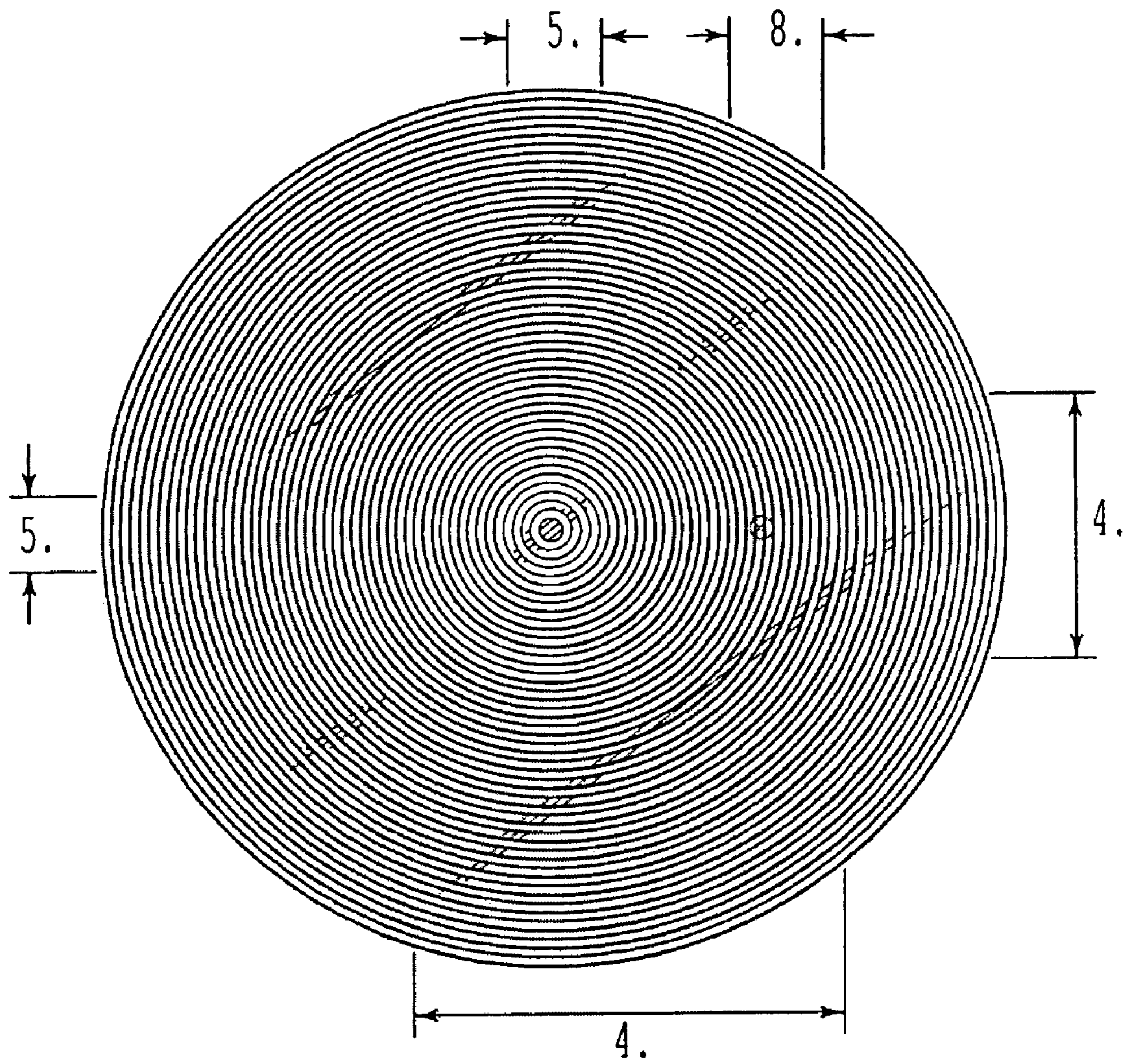


Fig. 1

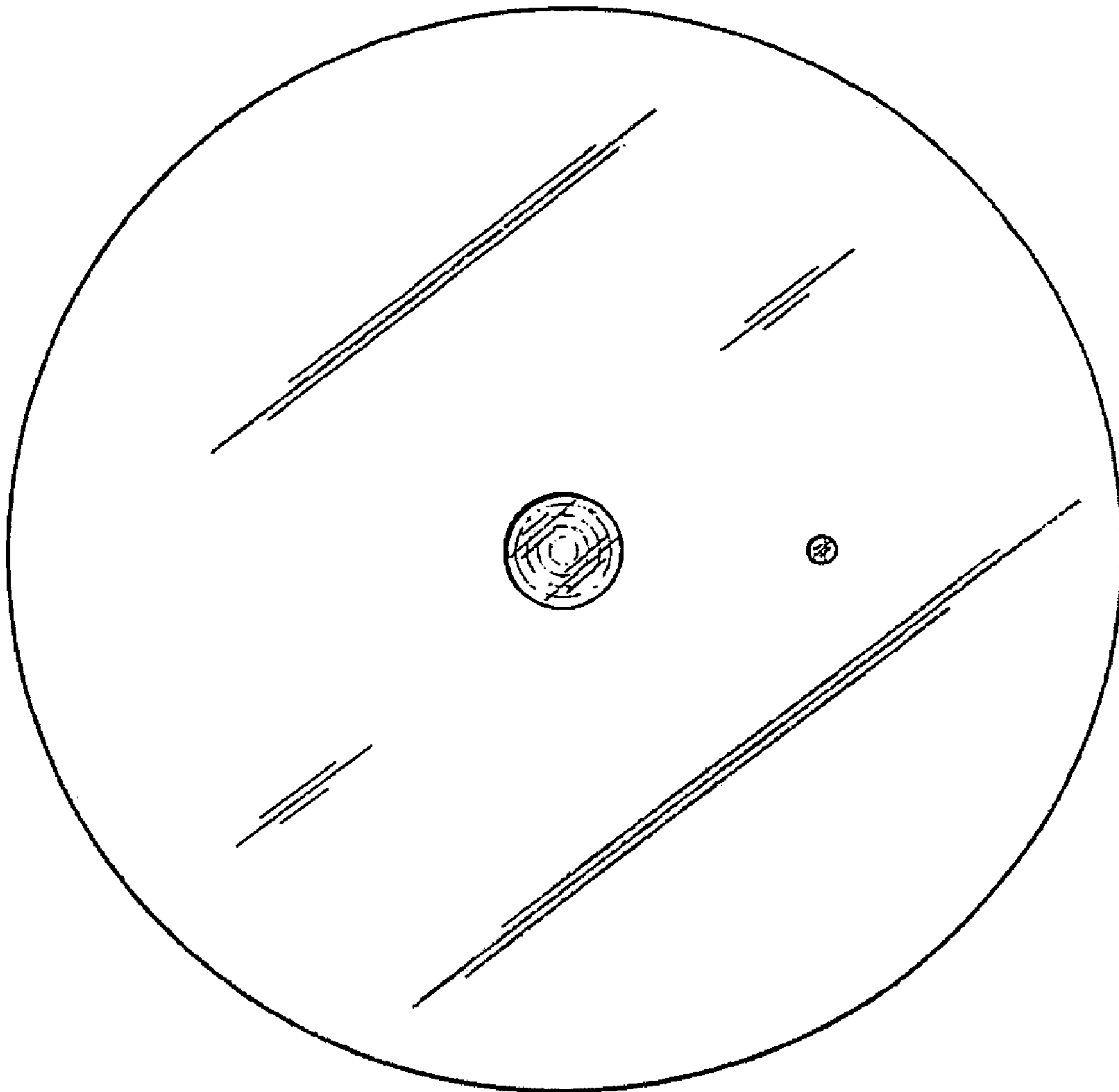


Fig. 2



Fig. 3

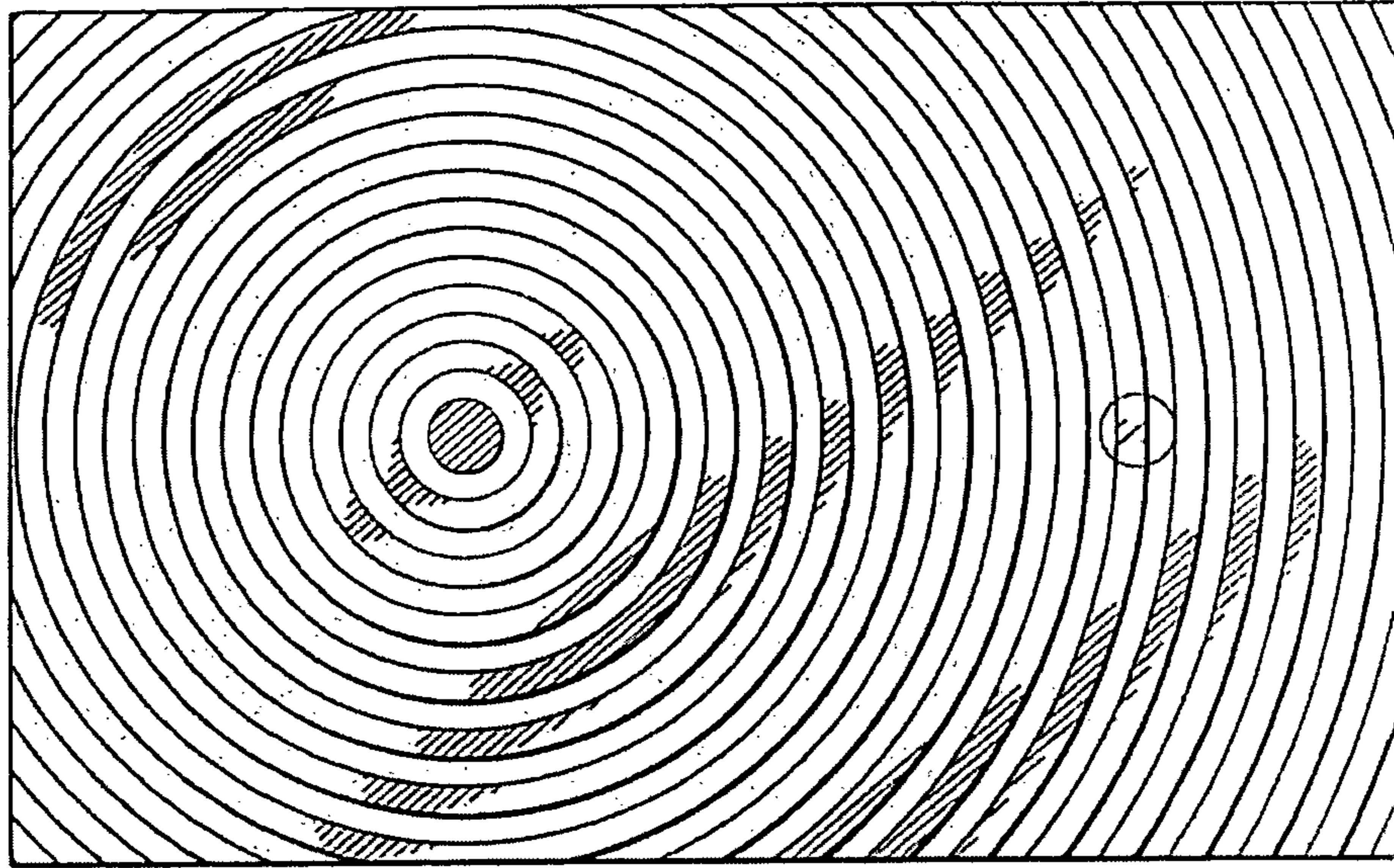


Fig. 4

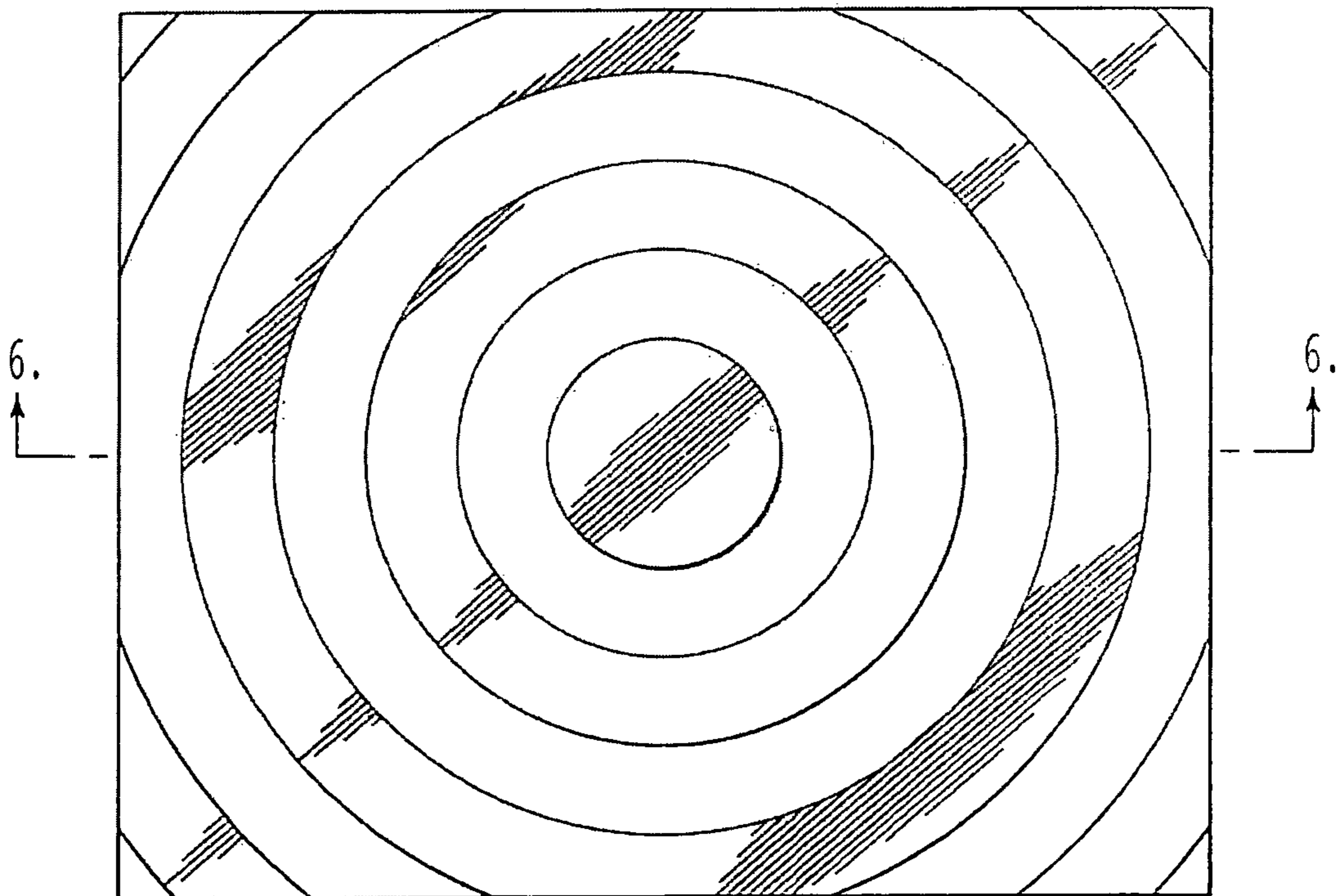


Fig. 5

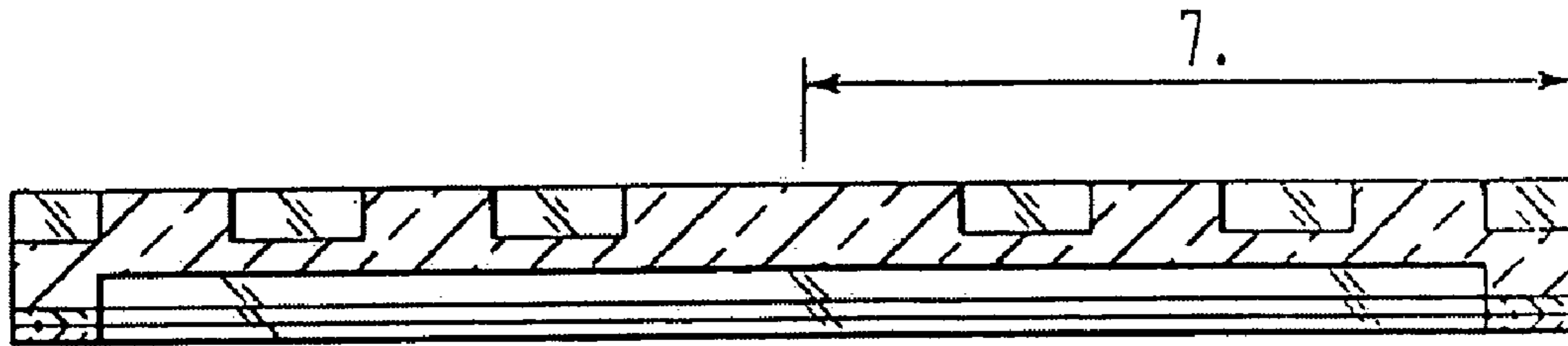


Fig. 6

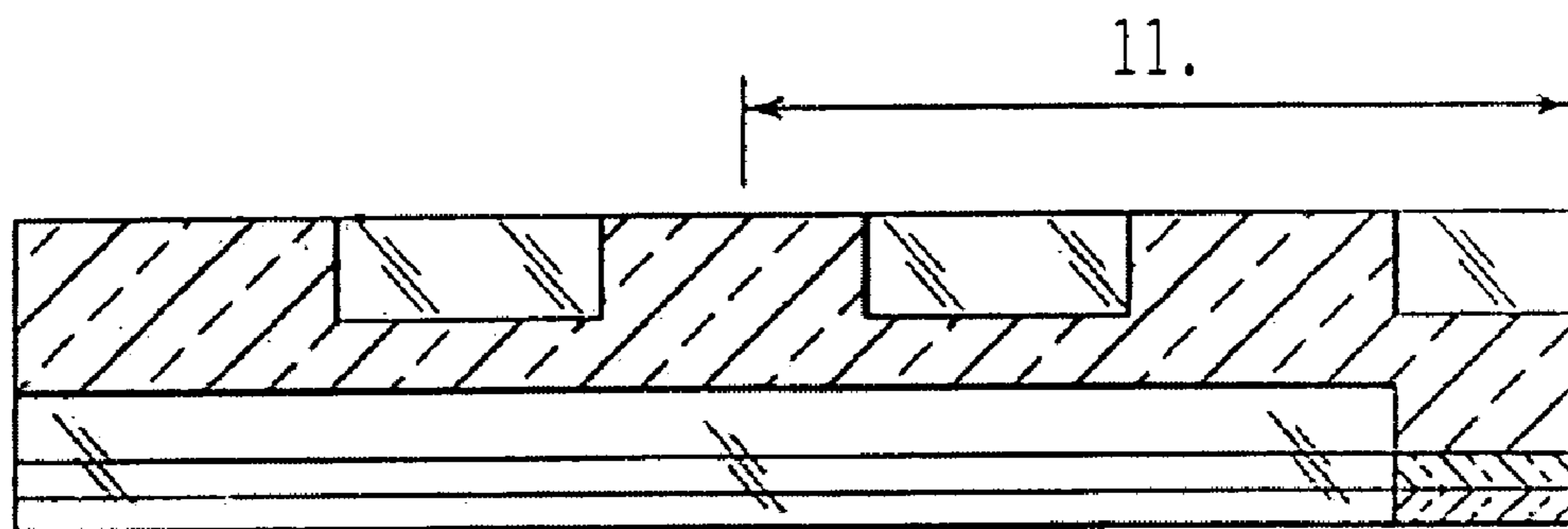


Fig. 7

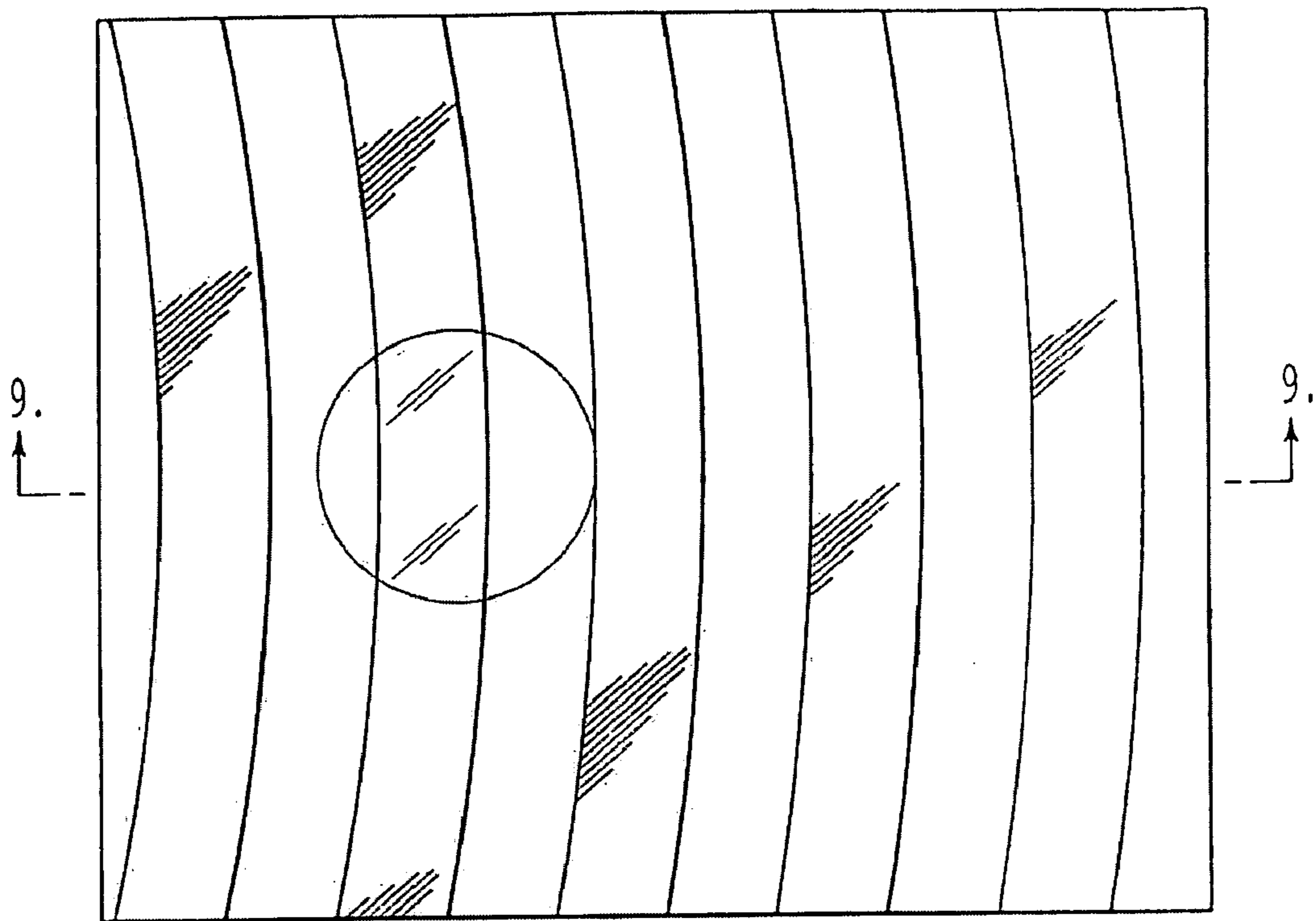


Fig. 8

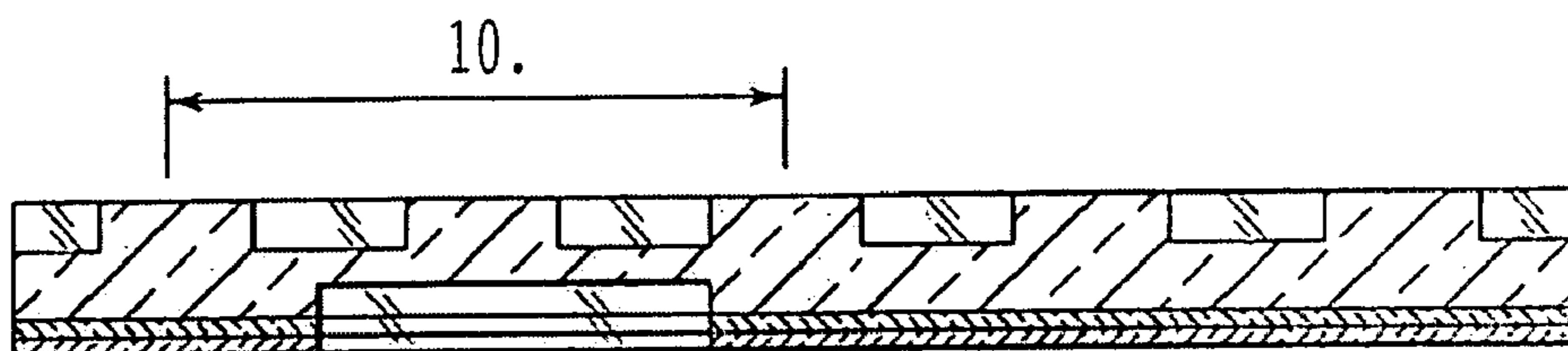


Fig. 9

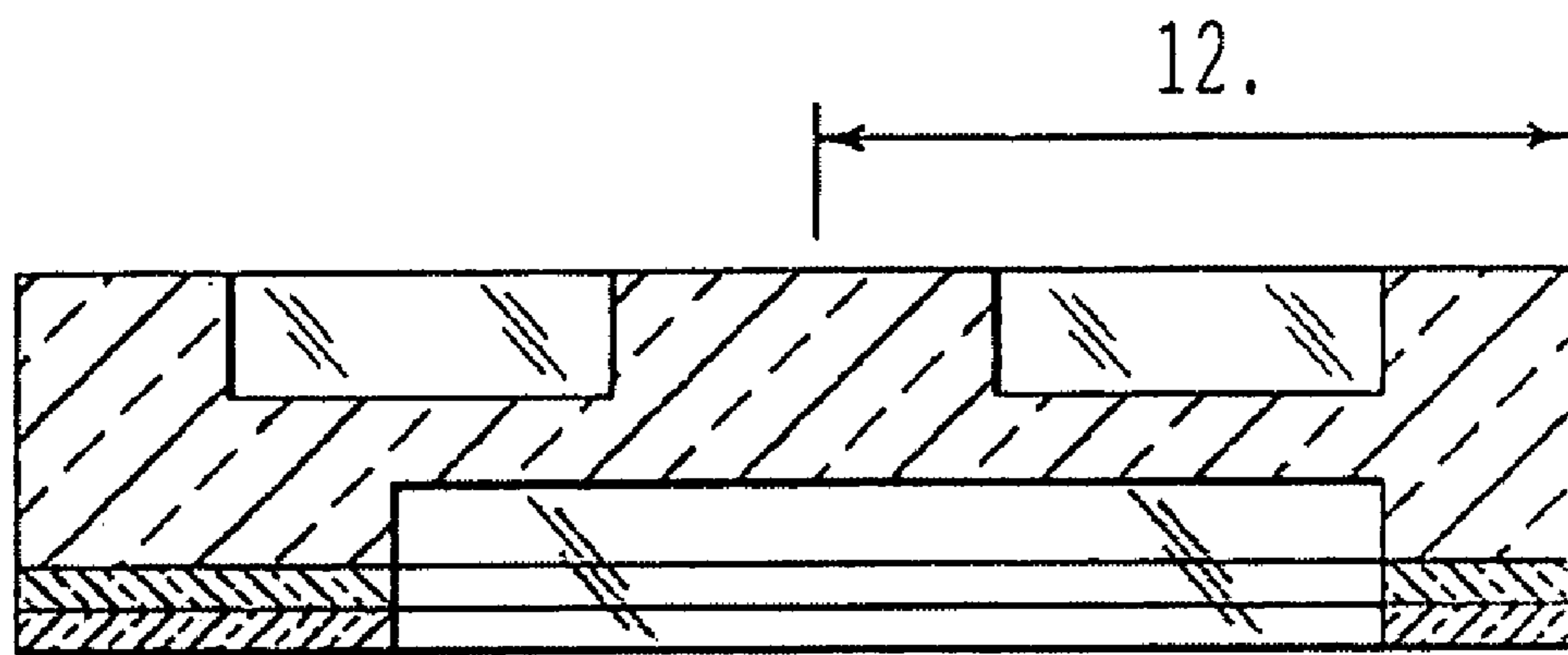


Fig. 10

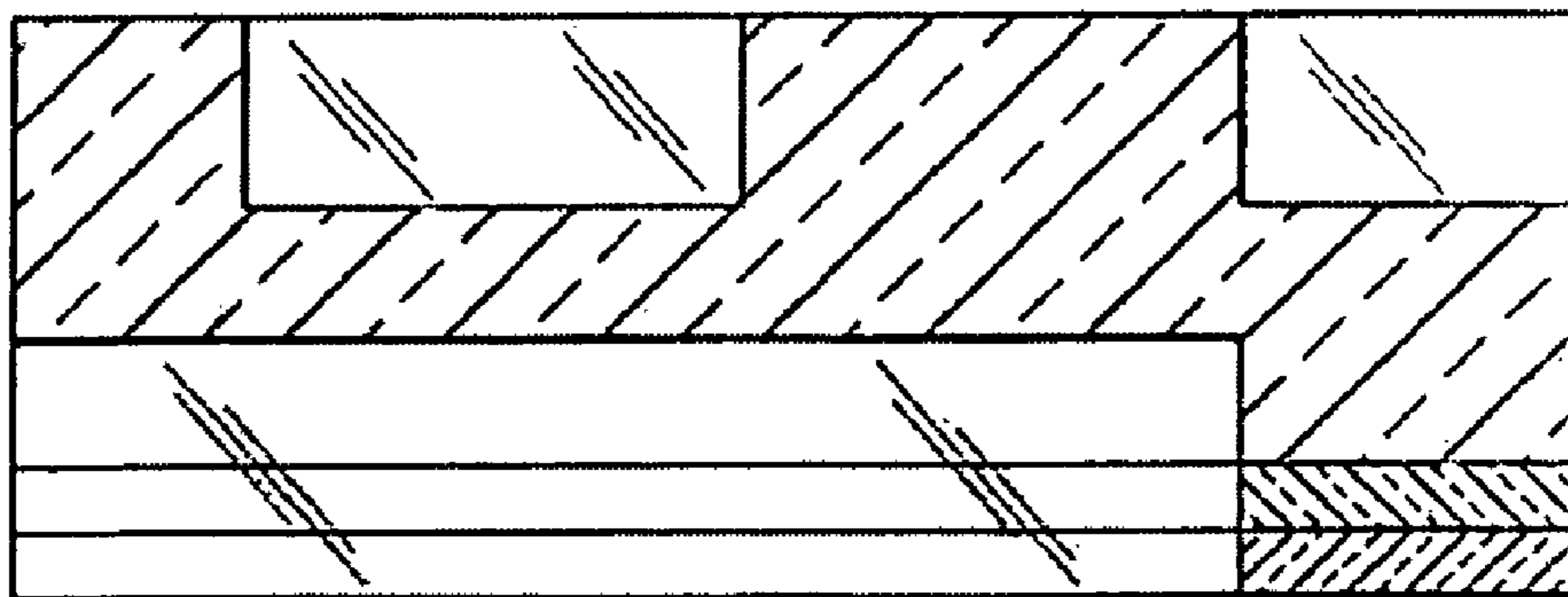


Fig. 11

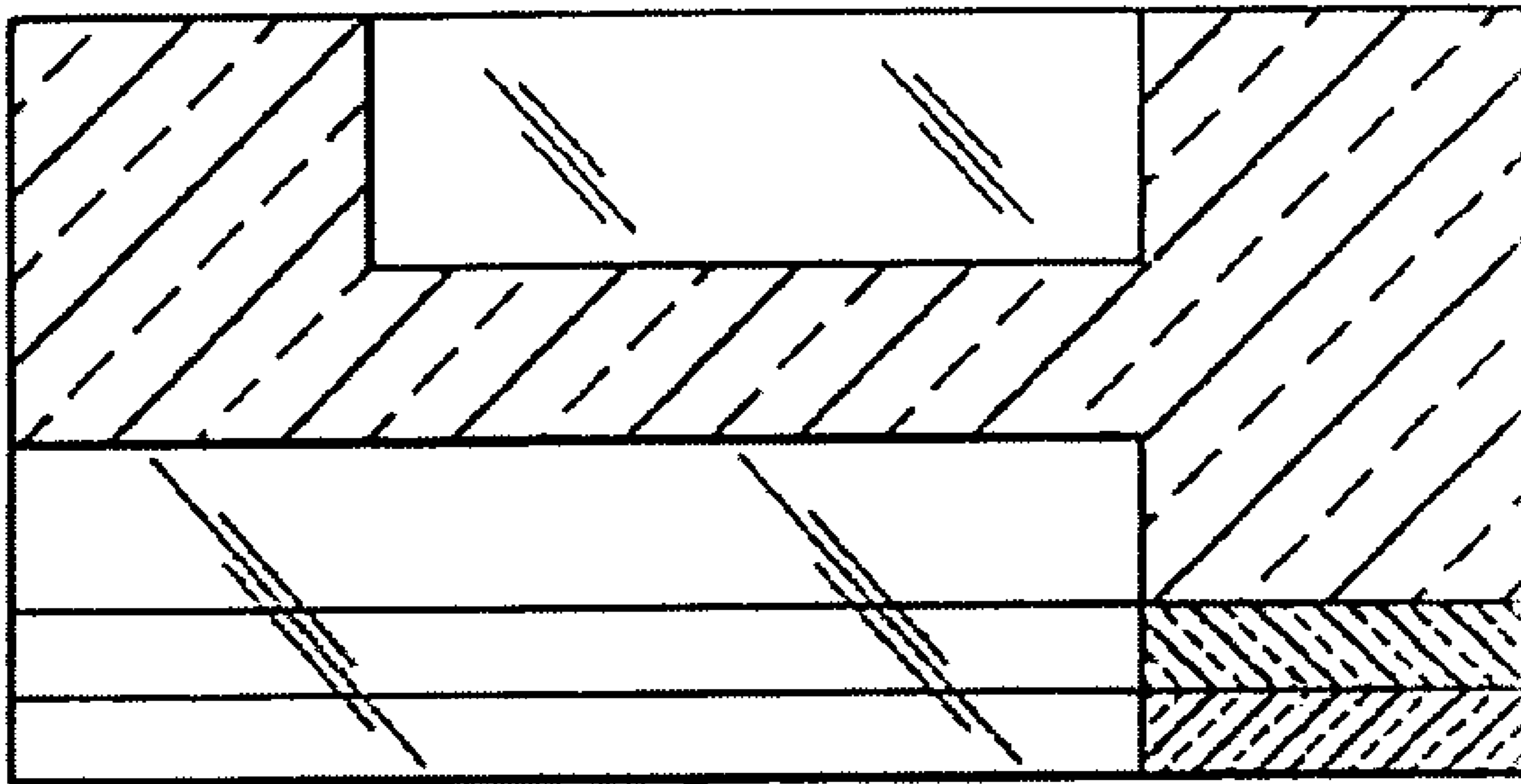


Fig. 12

UNITED STATES PATENT AND TRADEMARK OFFICE
CERTIFICATE OF CORRECTION

PATENT NO. : Des. 581,237 S
APPLICATION NO. : 29/296712
DATED : November 25, 2008
INVENTOR(S) : Okamoto et al.

Page 1 of 1

It is certified that error appears in the above-identified patent and that said Letters Patent is hereby corrected as shown below:

On the title page, Item (30), The Foreign Application Priority Data is incorrect.
Item (30) should read:

--(30) **Foreign Application Priority Data**

Mar. 17, 2004 (JP) 2004-8159
Mar. 17, 2004 (JP) 2004-8160--

Signed and Sealed this

Twenty-seventh Day of January, 2009



JOHN DOLL
Acting Director of the United States Patent and Trademark Office