



US00D581229S

(12) **United States Design Patent**  
**Uglum**

(10) **Patent No.:** **US D581,229 S**  
(45) **Date of Patent:** **\*\* Nov. 25, 2008**

(54) **NOVELTY BOTTLE CAP REMOVER**

(76) Inventor: **Rick A. Uglum**, 1925 Topaz Dr.,  
Chanhassen, MN (US) 55317

(\*\*) Term: **14 Years**

(21) Appl. No.: **29/293,479**

(22) Filed: **Nov. 26, 2007**

6,152,582 A \* 11/2000 Klaus ..... 362/363  
D438,990 S 3/2001 Alonso  
D452,802 S \* 1/2002 Peabody ..... D8/33  
D457,253 S 5/2002 Erwin  
6,382,815 B1 5/2002 Klearman et al.  
D483,403 S 12/2003 Hollands et al.  
D493,348 S 7/2004 Bertani  
D519,011 S 4/2006 Lister  
D528,211 S 9/2006 Solar et al.  
2006/0227542 A1\* 10/2006 Richmond ..... 362/183

**Related U.S. Application Data**

(63) Continuation-in-part of application No. 29/242,955,  
filed on Nov. 15, 2005, now abandoned.

(51) **LOC (8) Cl.** ..... **07-99**

(52) **U.S. Cl.** ..... **D8/40; D8/38**

(58) **Field of Classification Search** ..... D8/16-19,  
D8/21, 27, 33-43, 88, 105, 300, 307; D21/301,  
D21/385, 386, 388; 7/113, 151-156; 81/3.07,  
81/3.09, 3.27, 3.4, 3.55

See application file for complete search history.

(56) **References Cited**

**U.S. PATENT DOCUMENTS**

2,144,465 A \* 1/1939 Selleck ..... 222/643  
D193,899 S 10/1962 Harrison  
3,379,871 A \* 4/1968 Peek, Jr. .... 362/394  
3,765,995 A \* 10/1973 Perrin ..... 215/2  
D237,628 S 11/1975 Russo  
4,225,881 A \* 9/1980 Tovi ..... 348/151  
4,414,866 A 11/1983 Kichijyo  
D274,117 S 6/1984 Lapps  
4,764,855 A \* 8/1988 Fretz et al. .... 362/433  
D344,643 S 3/1994 Rosen  
D353,014 S \* 11/1994 Elazari ..... D26/68  
5,406,466 A \* 4/1995 Stokes ..... 362/153.1  
D376,666 S \* 12/1996 Shalvi ..... D26/68  
D421,372 S 3/2000 Wysopal  
D421,758 S 3/2000 Khaladj et al.

**OTHER PUBLICATIONS**

www.zooscape.com; Zap Cap Bottle Opener—Stainless Steel; 2  
pages; Feb. 9, 2006.

www.chinadepot.com; The unCapper Bottle Opener; 3 pages; Feb. 9,  
2006.

www.whynotbe.com; ASI Bottle Openers; 2 pages; Feb. 9, 2006.

\* cited by examiner

*Primary Examiner*—Joel Sincavage

*Assistant Examiner*—Garth Rademaker

(74) *Attorney, Agent, or Firm*—Merchant & Gould P.C.

(57) **CLAIM**

The ornamental design for a novelty bottle cap remover, as  
shown and described.

**DESCRIPTION**

FIG. 1 is a front elevation view of a novelty bottle cap  
remover, showing my new design;

FIG. 2 is a bottom plan view thereof;

FIG. 3 is a left side elevation view thereof;

FIG. 4 is a right side elevation view thereof; and,

FIG. 5 is a perspective view thereof.

The broken lines depict environmental subject matter only  
and form no part of the claimed design.

**1 Claim, 5 Drawing Sheets**

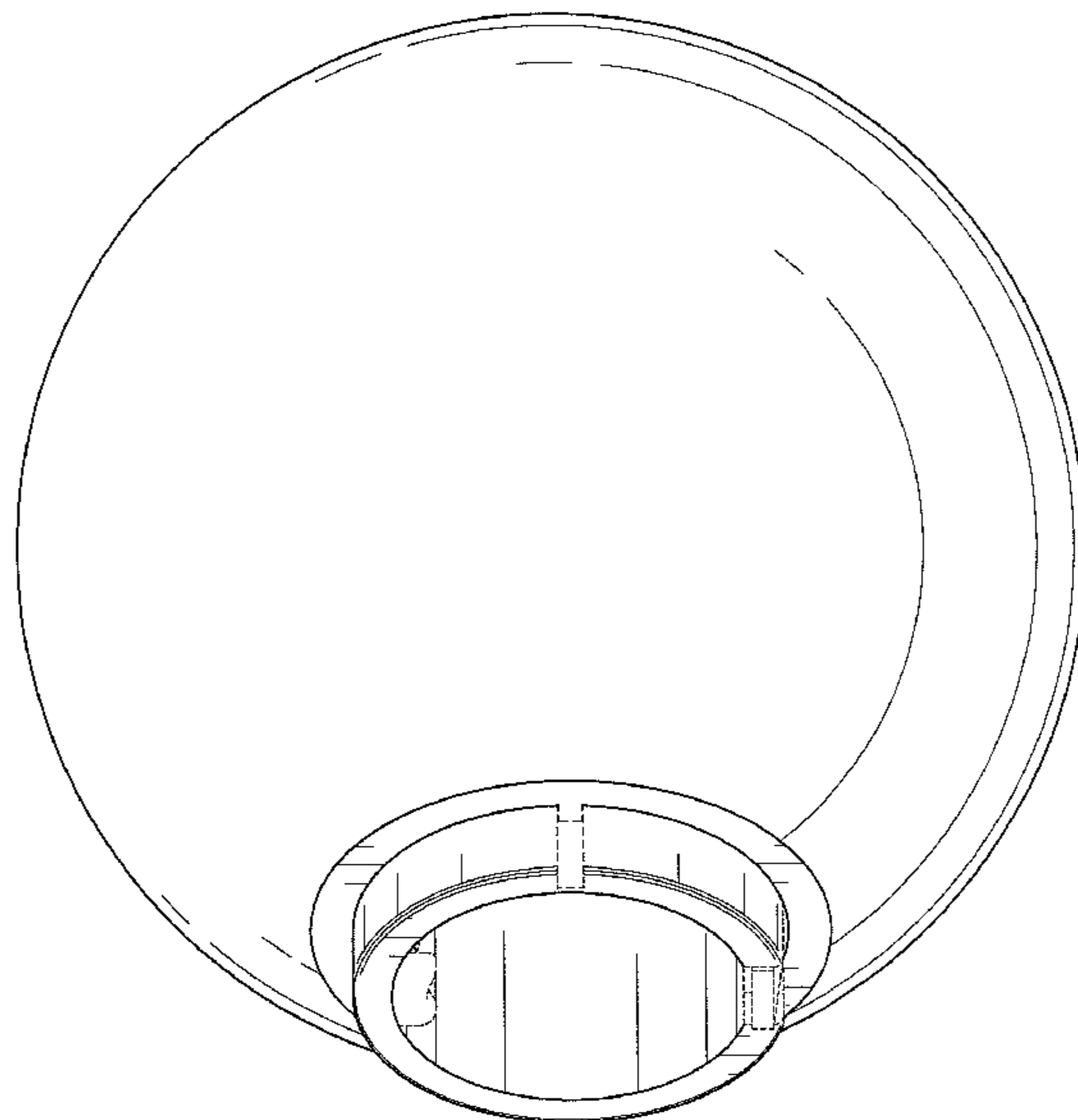


FIG. 1

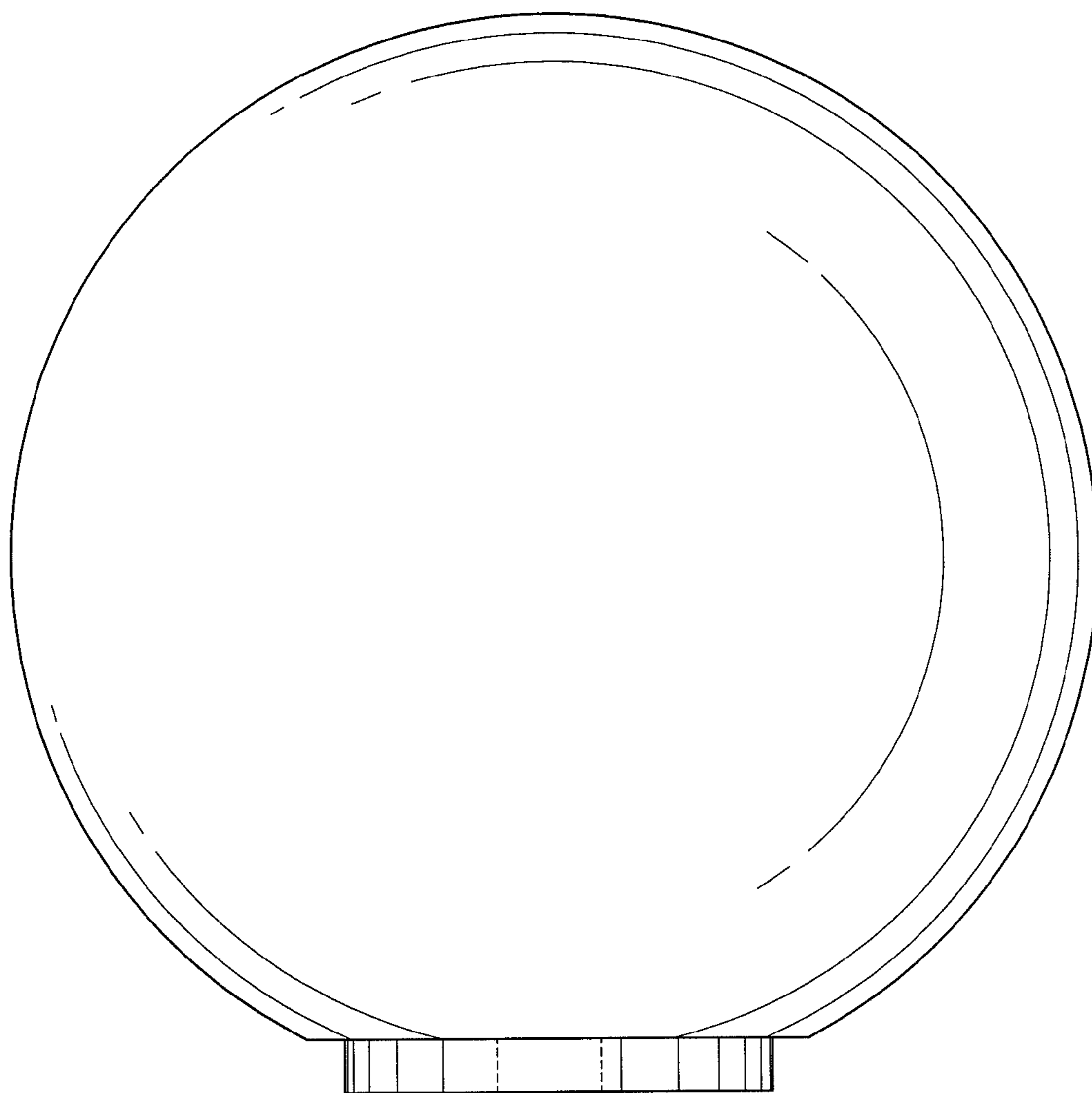


FIG. 2

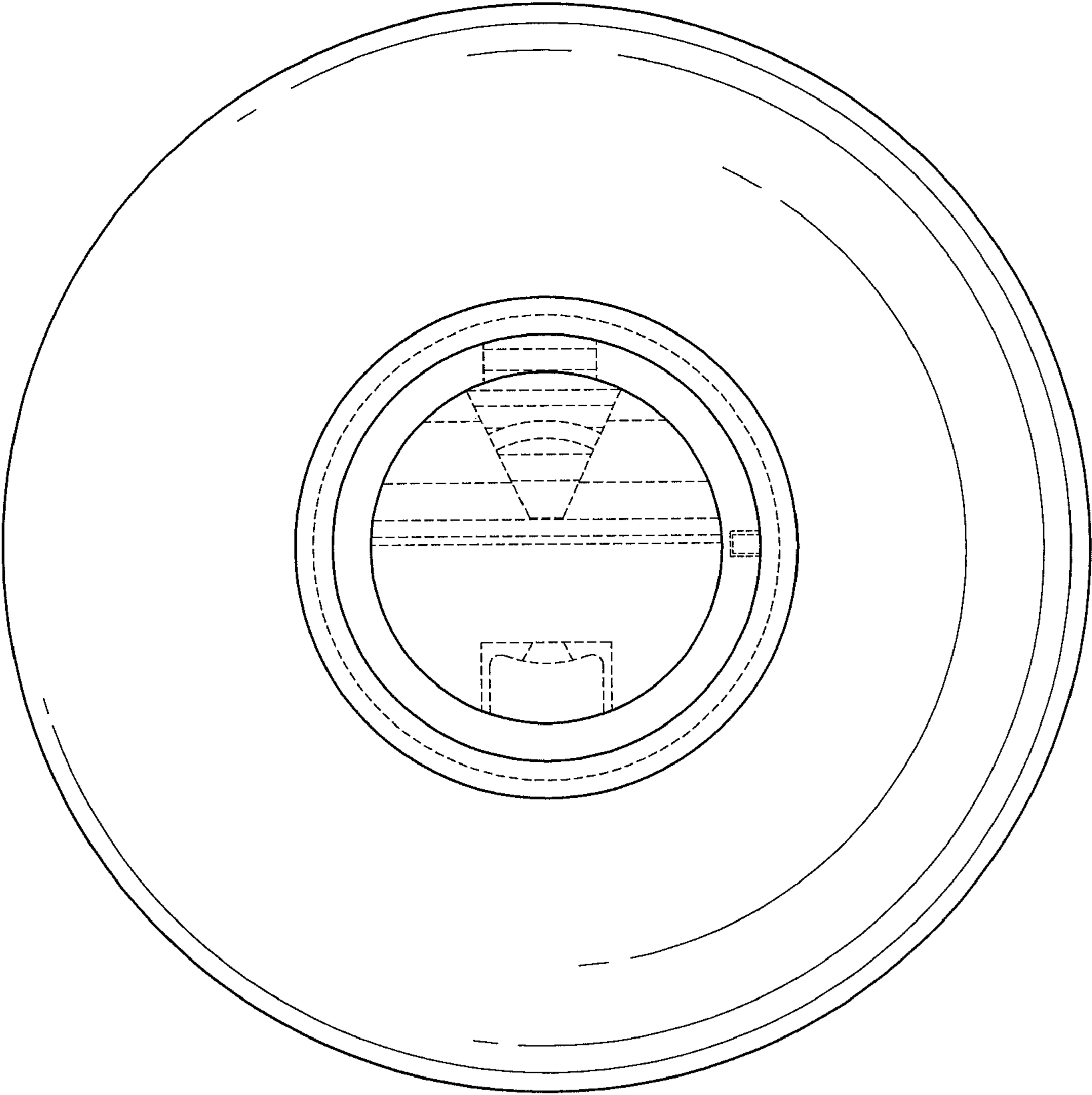


FIG. 3

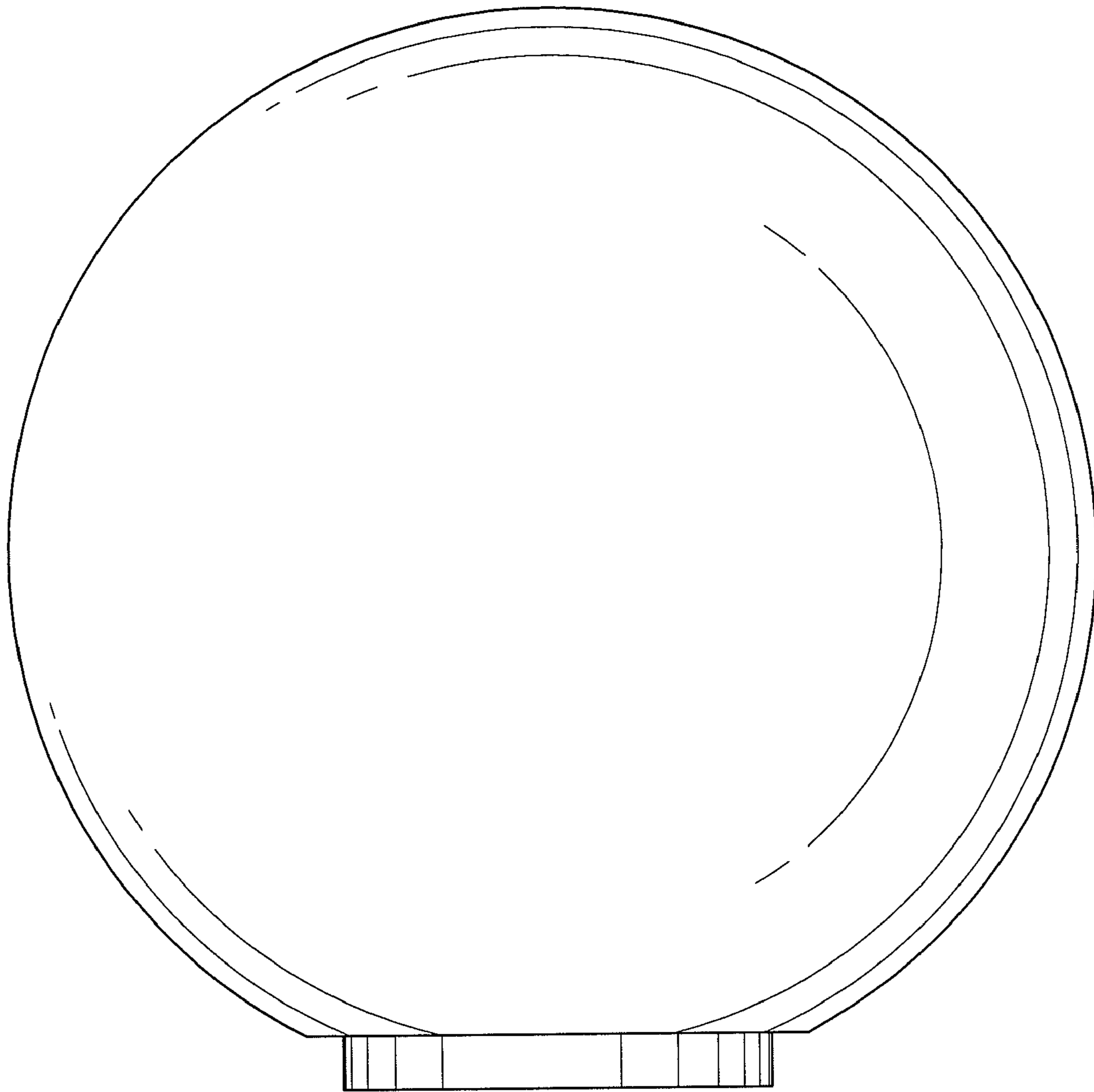


FIG. 4

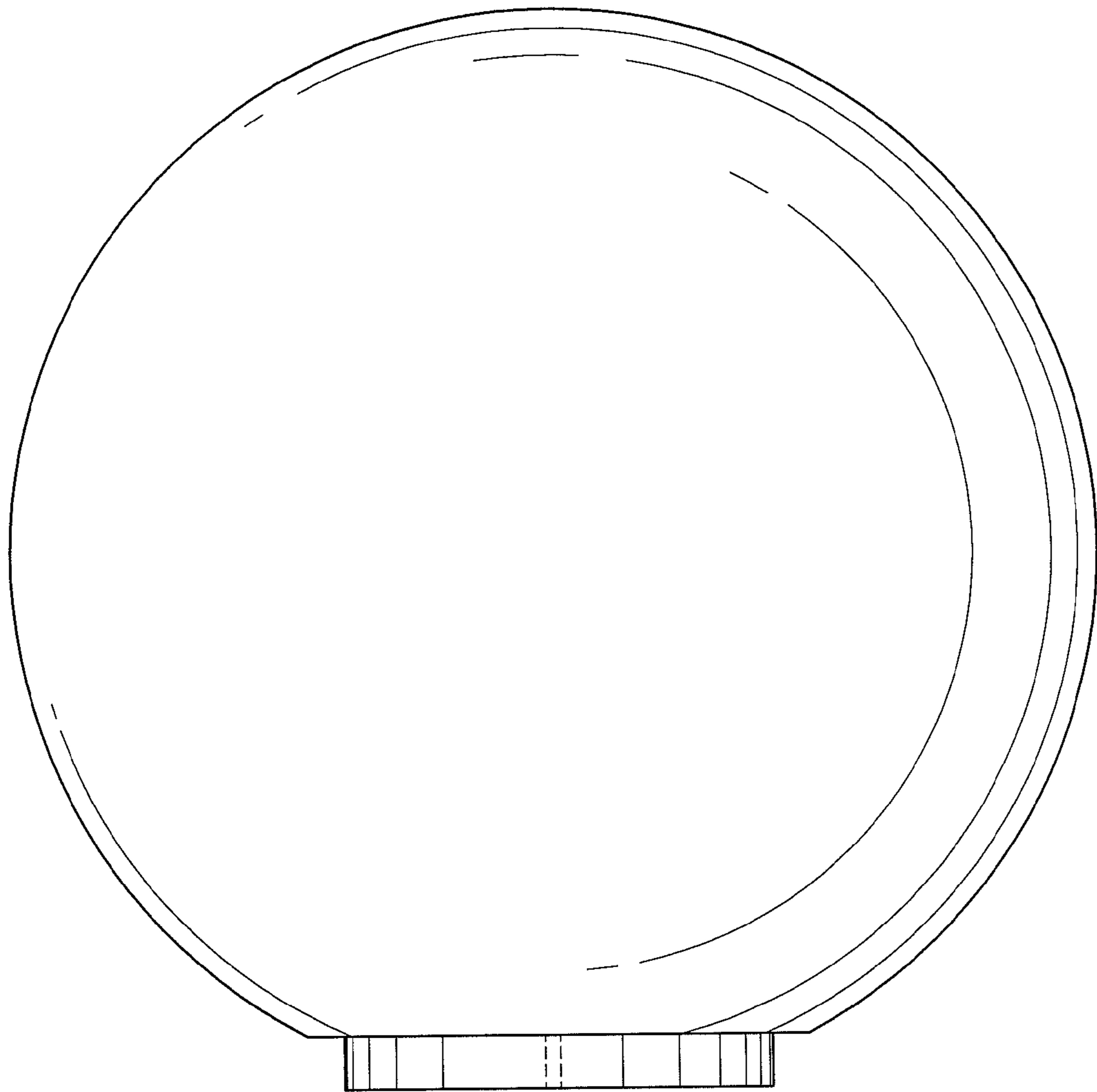


FIG. 5

