



US00D581225S

(12) **United States Design Patent**
de Grootte

(10) **Patent No.:** **US D581,225 S**

(45) **Date of Patent:** **** Nov. 25, 2008**

(54) **GARLIC PROCESSOR**

(75) Inventor: **Jan-Hendrik de Grootte**, Haaltert (BE)

(73) Assignee: **Dart Industries Inc.**, Orlando, FL (US)

(**) Term: **14 Years**

(21) Appl. No.: **29/259,621**

(22) Filed: **May 12, 2006**

(51) **LOC (8) Cl.** **07-06**

(52) **U.S. Cl.** **D7/678; D7/368**

(58) **Field of Classification Search** D7/368,
D7/381, 372, 373, 678, 679; 241/95, 168,
241/169, 169.1, 162, 164, 273.1–273.4; 99/495
See application file for complete search history.

(56) **References Cited**

U.S. PATENT DOCUMENTS

3,581,790	A	*	6/1971	Conte	241/169.1
D233,204	S	*	10/1974	Fisher	D7/678
D252,662	S		8/1979	Bounds		
D255,861	S		7/1980	Hsu		
D266,824	S	*	11/1982	Harris	D7/665
D333,762	S	*	3/1993	Herren	D7/678
D353,079	S	*	12/1994	Colombo	D7/665

D362,791	S	*	10/1995	Ming	D7/665
D371,304	S		7/1996	Onneweer		
D416,767	S		11/1999	Repac et al.		
D478,254	S		8/2003	Chau		
D501,372	S	*	2/2005	Lo	D7/679
2004/0103797	A1		6/2004	Repac et al.		

* cited by examiner

Primary Examiner—Terry A Wallace

(74) *Attorney, Agent, or Firm*—John A. Doninger

(57) **CLAIM**

The ornamental design for a garlic processor, as shown and described.

DESCRIPTION

FIG. 1 is a side and top perspective view of the garlic processor showing my new design;

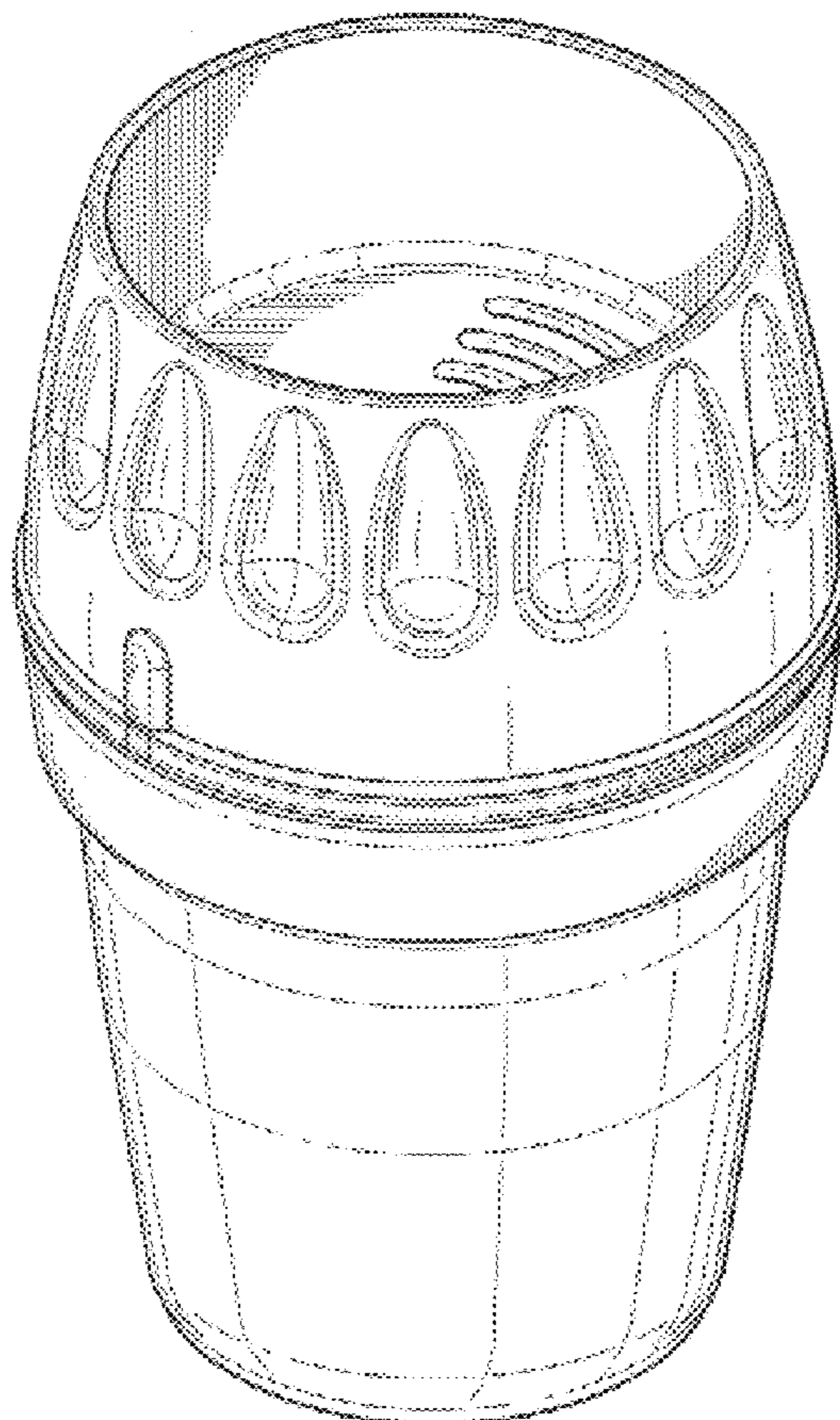
FIG. 2 is a front elevation view thereof, the rear elevation being the same;

FIG. 3 is a right side elevation view thereof, the left side elevation being the same;

FIG. 4 is a top plan view thereof; and,

FIG. 5 is a bottom plan view thereof.

1 Claim, 3 Drawing Sheets



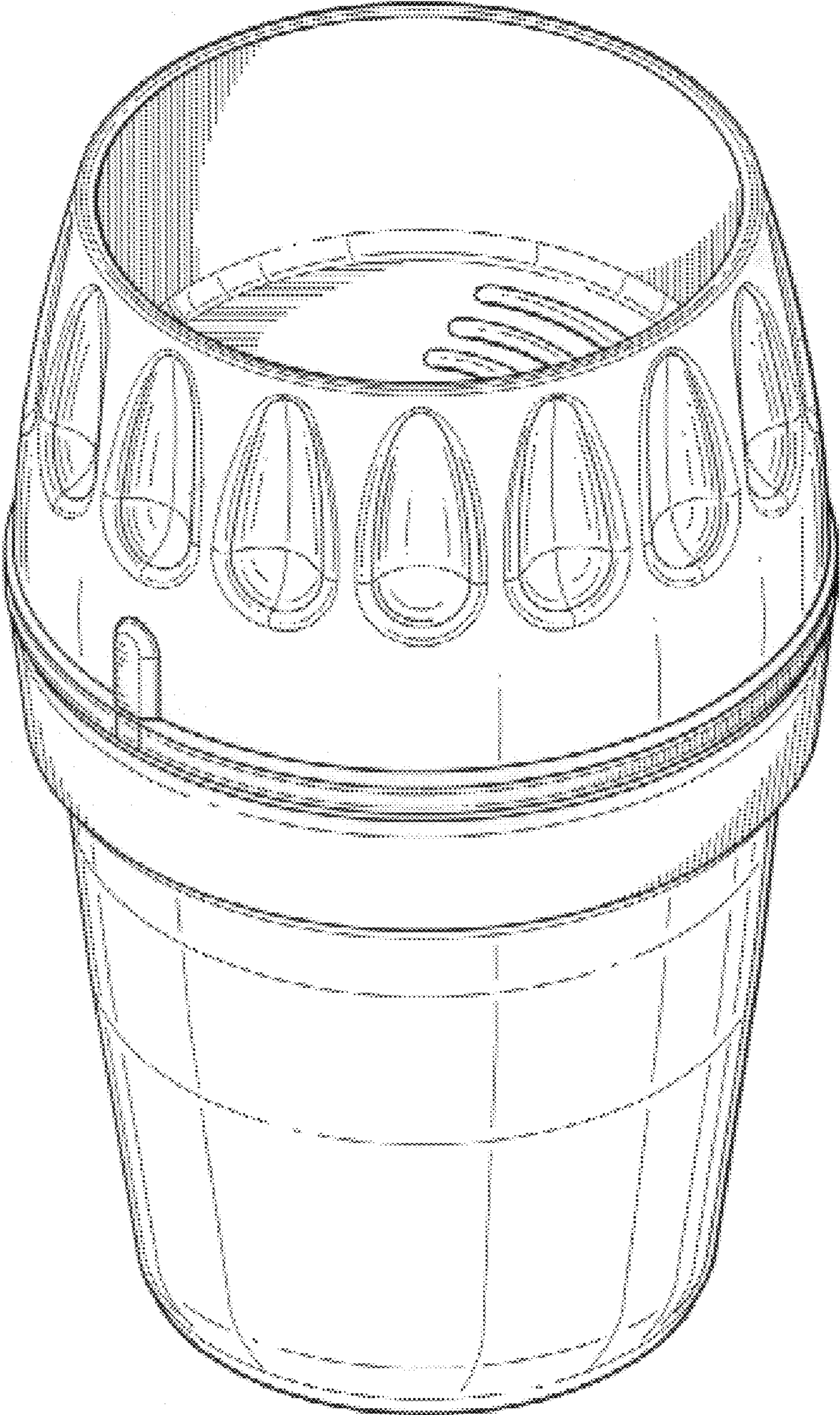


FIG. 1

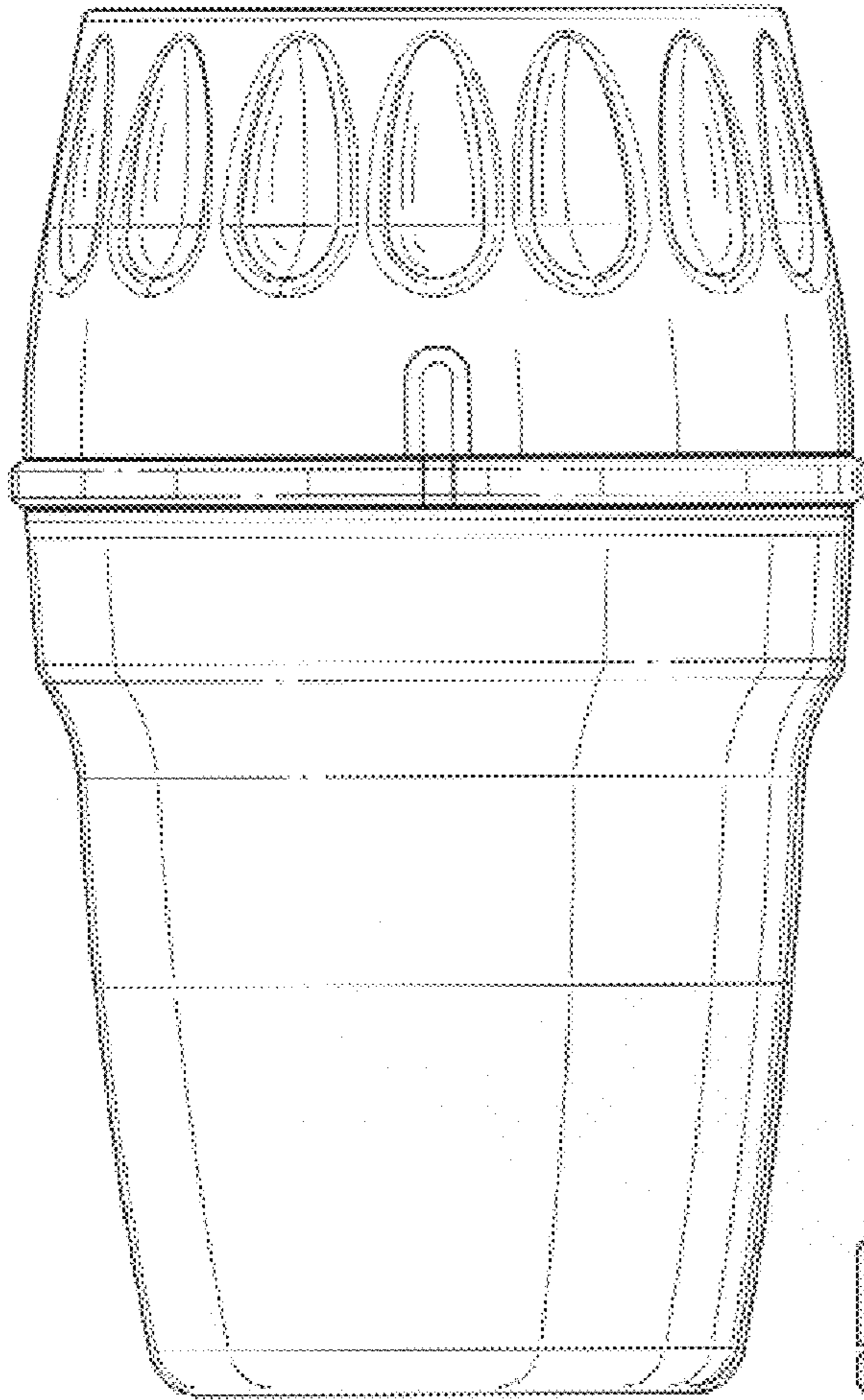
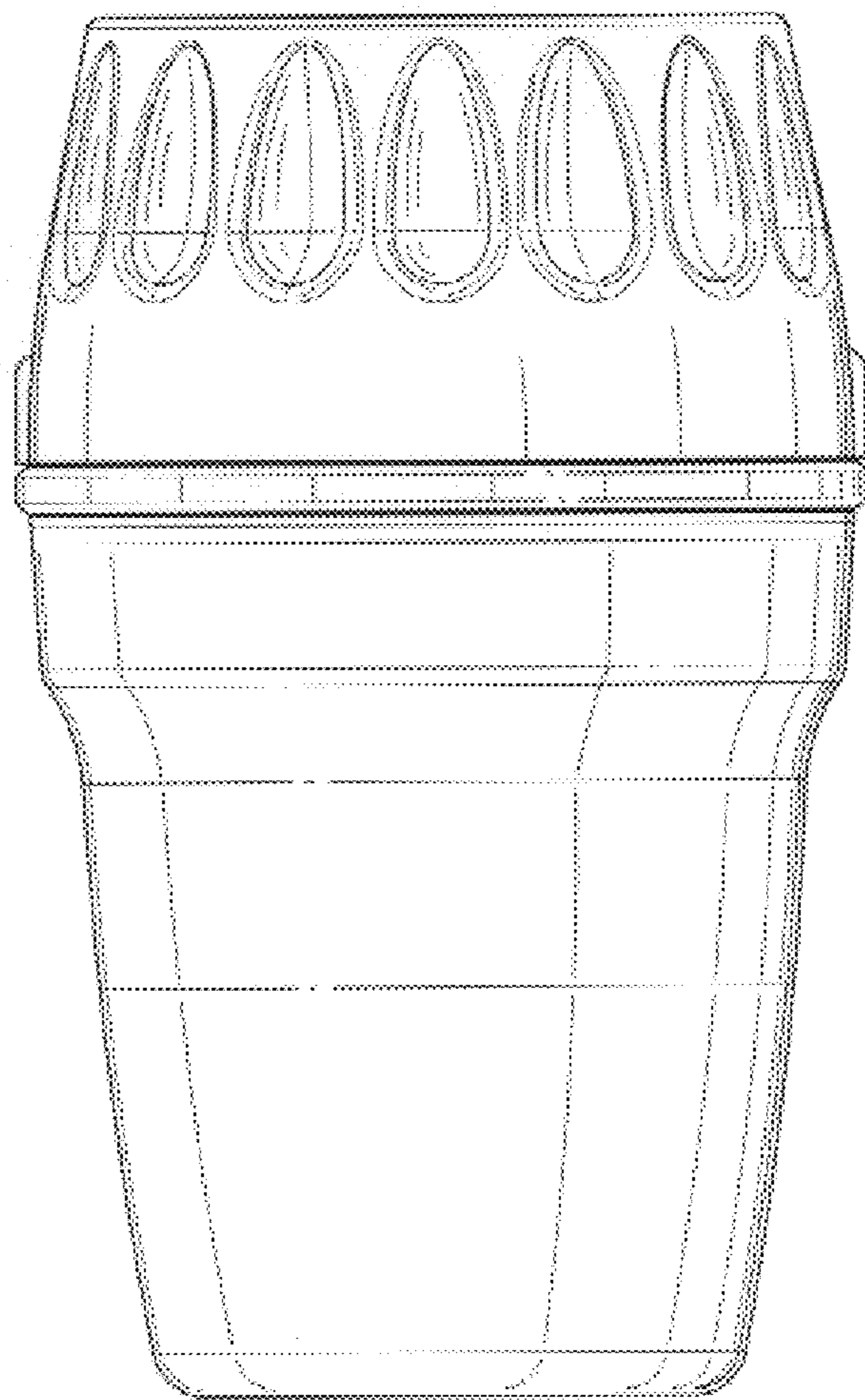


FIG. 2

FIG. 3



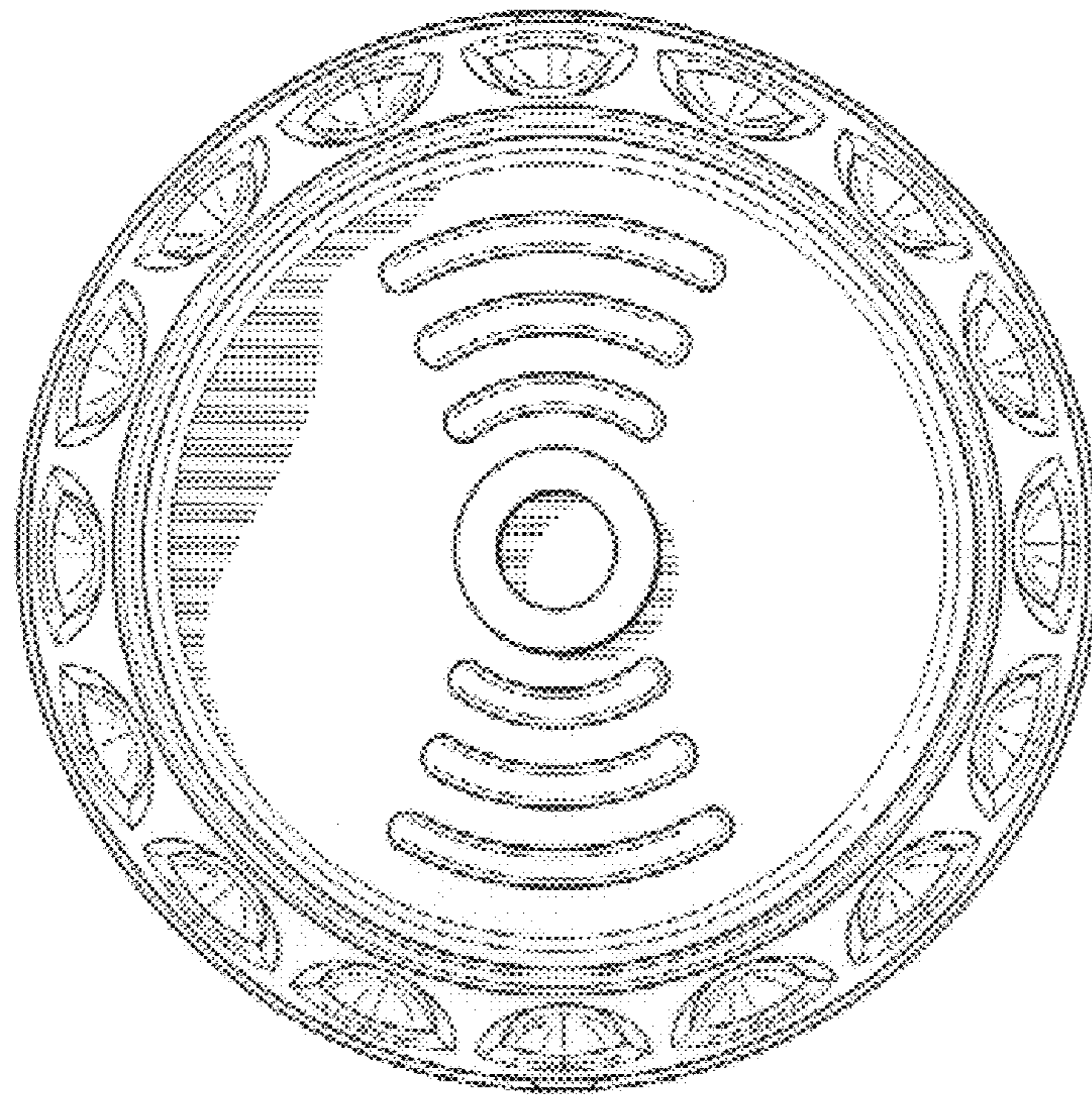


FIG. 4

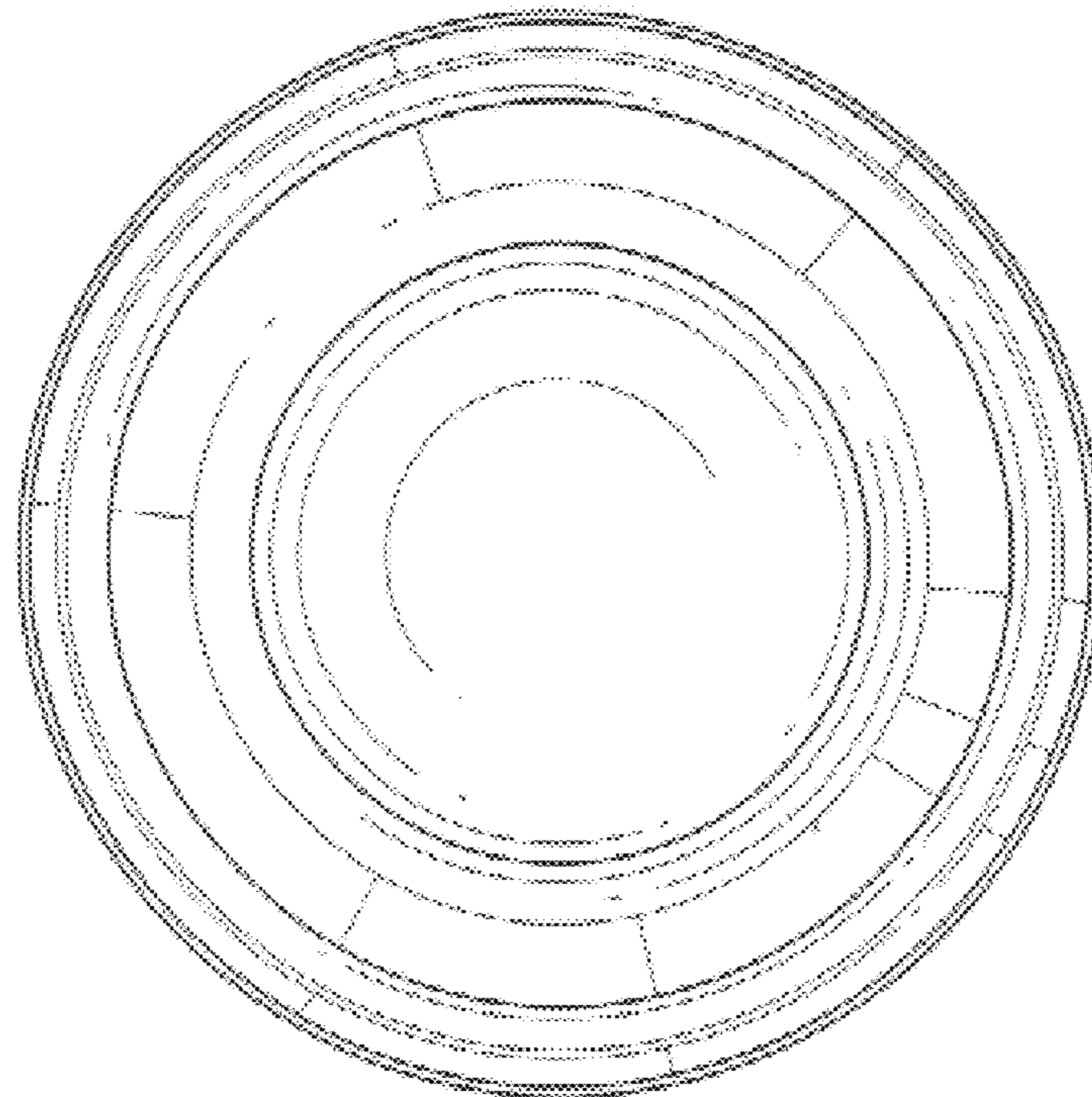


FIG. 5