



US00D581224S

(12) **United States Design Patent**
Vendl

(10) **Patent No.:** **US D581,224 S**
(45) **Date of Patent:** **** Nov. 25, 2008**

(54) **HOLIDAY TREE STACKABLE COOKIE CUTTER SET**

D392,785 S * 3/1998 Villota et al. D1/115
5,921,153 A * 7/1999 Barnett 30/315
5,933,968 A * 8/1999 Solomon 30/315
D527,162 S * 8/2006 Feilen D1/115

(75) Inventor: **Lynn Vendl**, Woodridge, IL (US)

(73) Assignee: **Wilton Industries, Inc.**, Woodridge, IL (US)

(**) Term: **14 Years**

(21) Appl. No.: **29/320,404**

(22) Filed: **Jun. 26, 2008**

(51) **LOC (8) Cl.** **07-04**

(52) **U.S. Cl.** **D7/675**

(58) **Field of Classification Search** D7/675,
D7/676, 354, 357; D1/106, 107, 115; 30/314-316,
30/299, 301

See application file for complete search history.

(56) **References Cited**

U.S. PATENT DOCUMENTS

2,596,159 A * 5/1952 McBirney 30/315
2,612,123 A * 9/1952 Nord 30/316
2,754,587 A * 7/1956 Bylka 30/301
D206,338 S * 11/1966 Levin D7/675
4,327,489 A * 5/1982 Conrad 30/299
D282,893 S * 3/1986 Daenen D7/676
D352,811 S * 11/1994 Gonzalez D1/106

* cited by examiner

Primary Examiner—Terry A Wallace

(74) *Attorney, Agent, or Firm*—DLA Piper LLP (US);
Jennifer E. Lacroix

(57) **CLAIM**

The ornamental design for a holiday tree stackable cookie cutter set, as shown and described.

DESCRIPTION

FIG. 1 is a perspective view of the holiday tree stackable cookie cutter set;

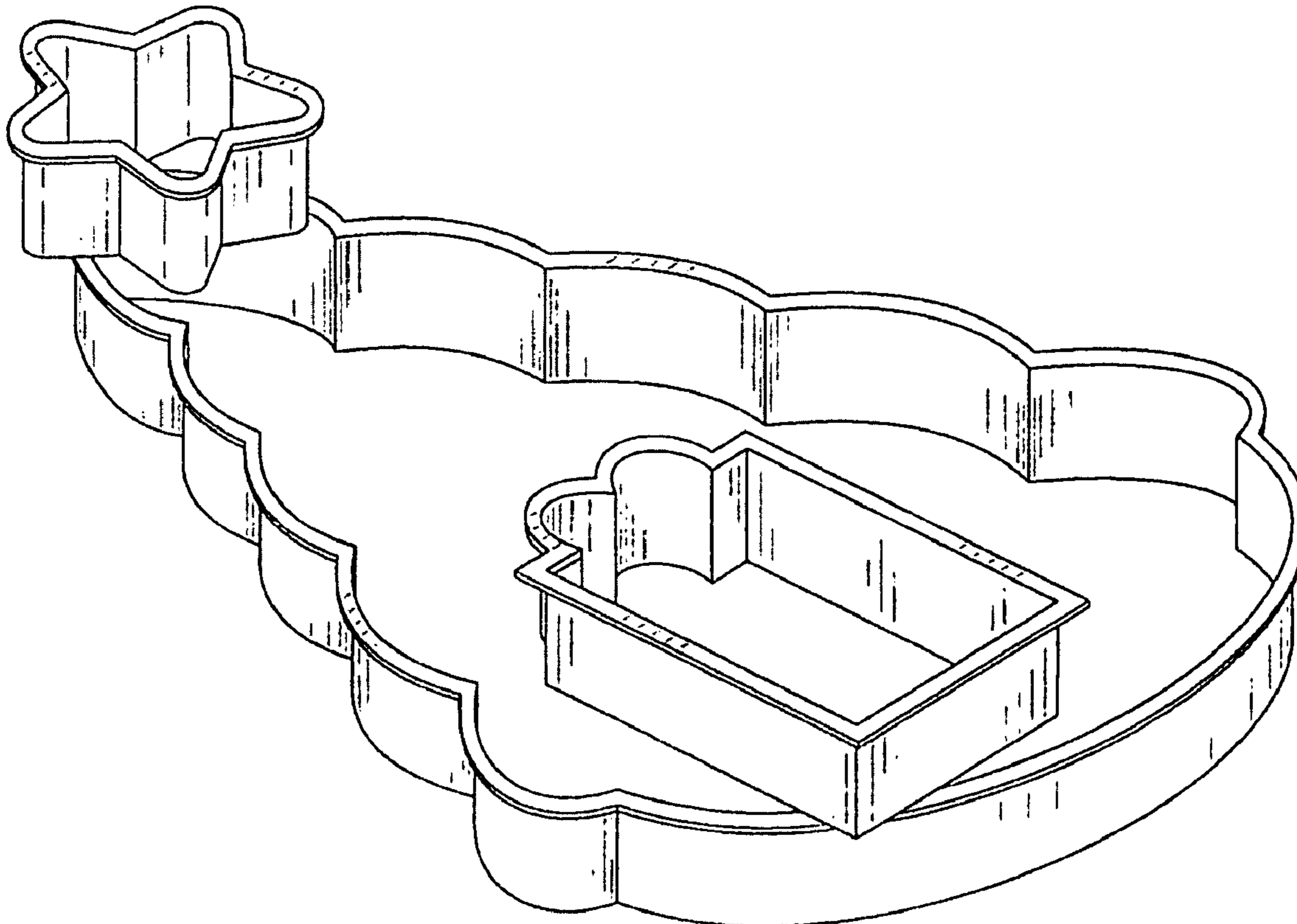
FIG. 2 is a left side elevational view of the holiday tree stackable cookie cutter set;

FIG. 3 is a top plan view of the holiday tree stackable cookie cutter set;

FIG. 4 is a bottom plan view of the holiday tree stackable cookie cutter set; and,

FIG. 5 is an exploded view of the holiday tree stackable cookie cutter set.

1 Claim, 5 Drawing Sheets



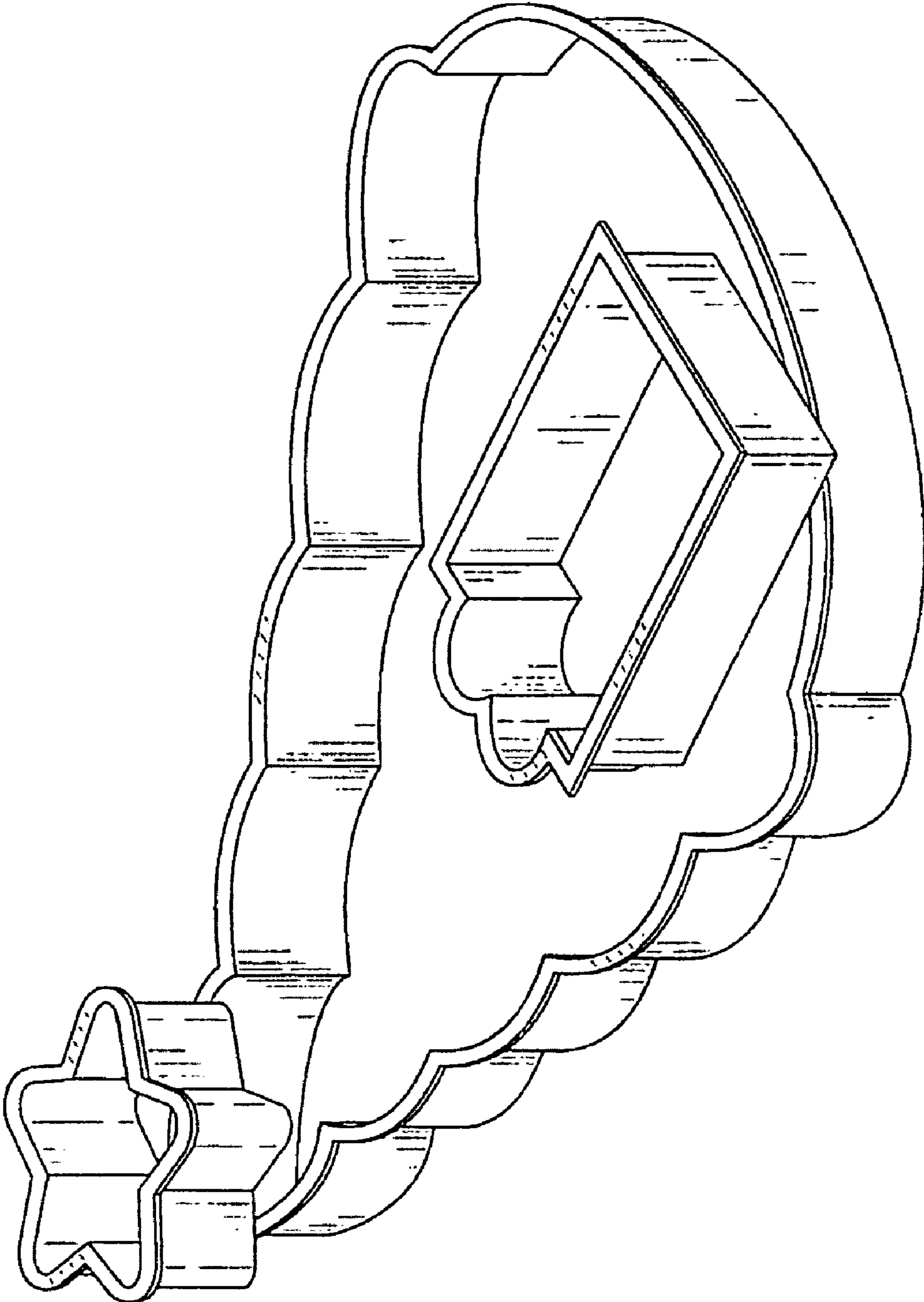


FIG. 1

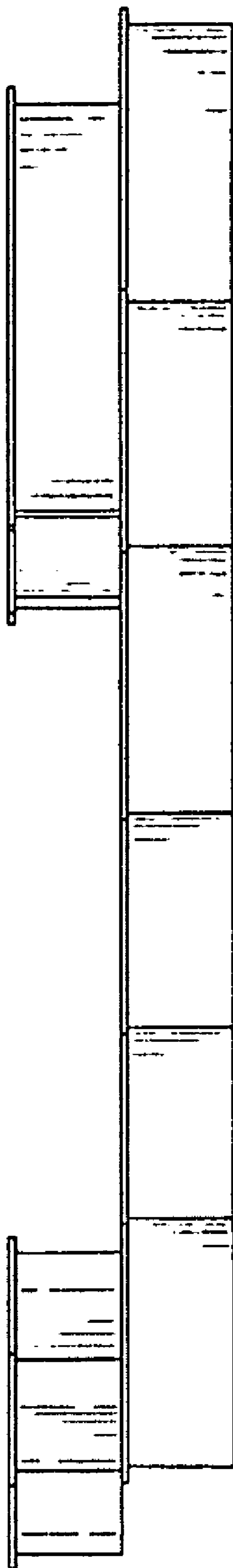


FIG. 2

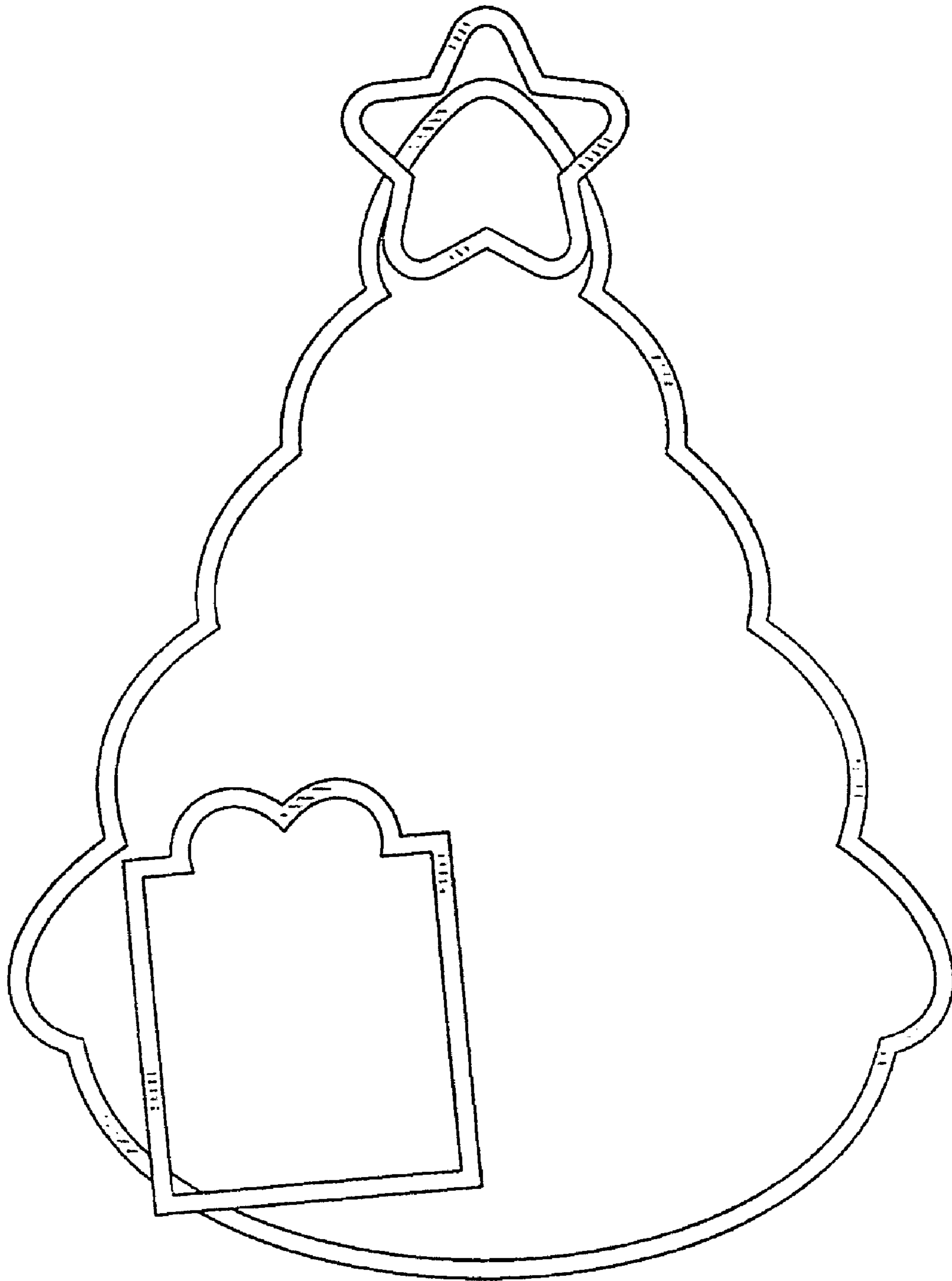


FIG. 3

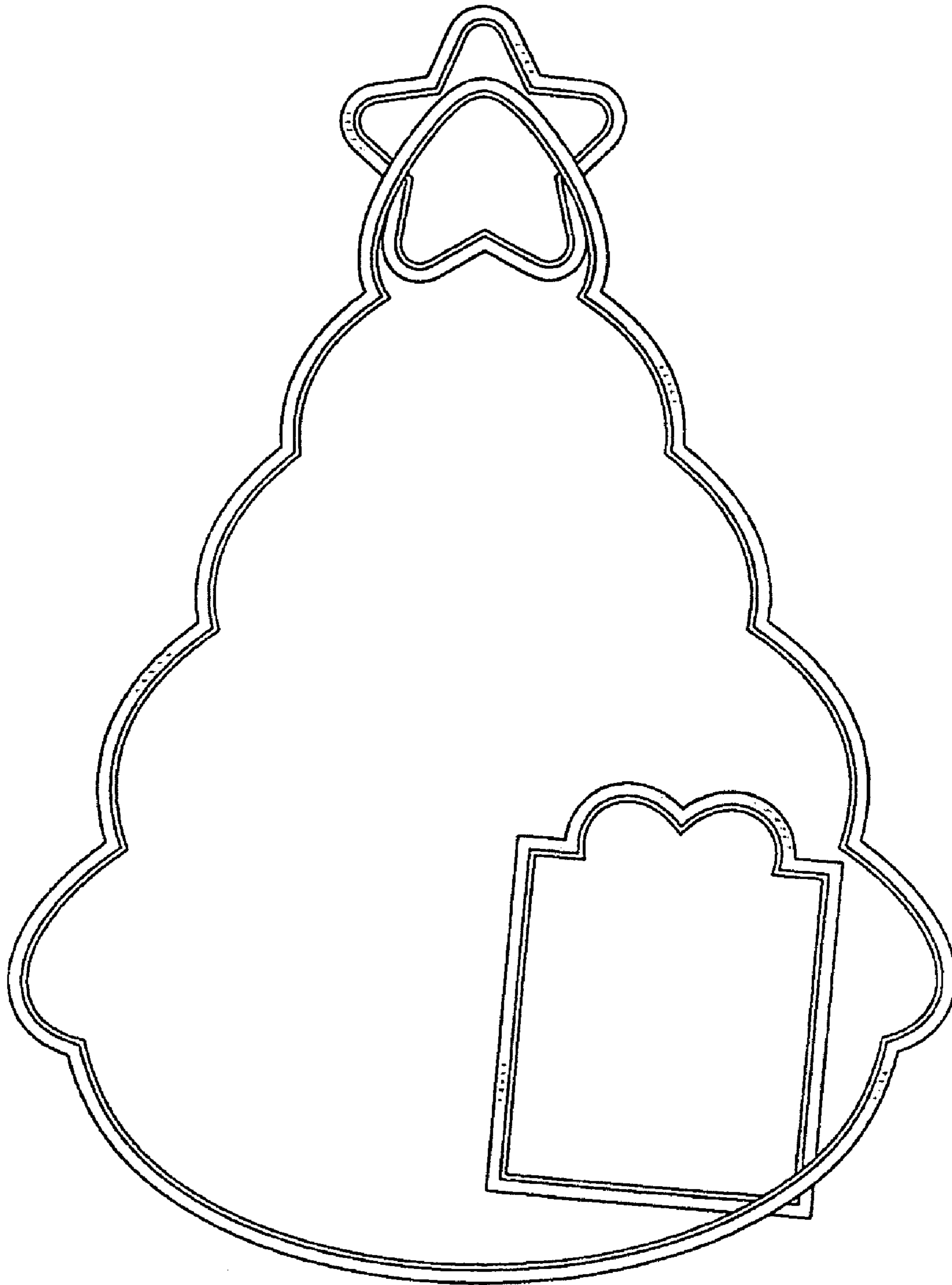


FIG. 4

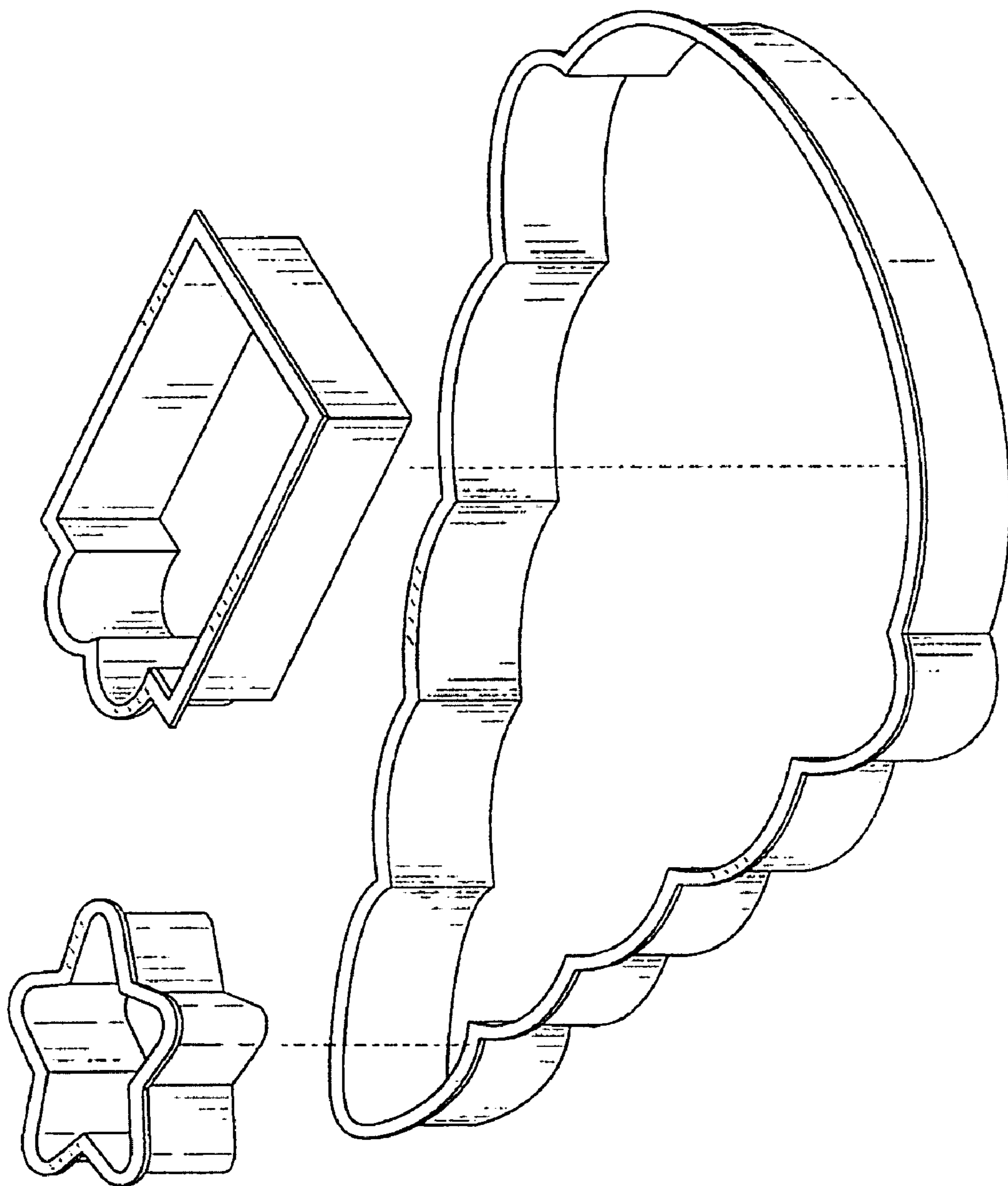


FIG. 5