



US00D581223S

(12) **United States Design Patent**  
**Vendl**

(10) **Patent No.:** **US D581,223 S**  
(45) **Date of Patent:** **\*\* Nov. 25, 2008**

(54) **SPIDER STACKABLE COOKIE CUTTER SET**

(75) Inventor: **Lynn Vendl**, Woodridge, IL (US)

(73) Assignee: **Wilton Industries, Inc.**, Woodridge, IL (US)

(\*\*) Term: **14 Years**

(21) Appl. No.: **29/320,383**

(22) Filed: **Jun. 26, 2008**

(51) **LOC (8) Cl.** ..... **07-04**

(52) **U.S. Cl.** ..... **D7/675**

(58) **Field of Classification Search** ..... D7/675,  
D7/676, 354, 357; D1/106, 107; 30/314-316,  
30/299, 301

See application file for complete search history.

(56) **References Cited**

U.S. PATENT DOCUMENTS

2,612,123	A *	9/1952	Nord	30/316
2,754,587	A *	7/1956	Bylkas	30/301
4,327,489	A *	5/1982	Conrad	30/299
D282,893	S *	3/1986	Daenen	D7/676
5,921,153	A *	7/1999	Barnett	30/315
5,933,968	A *	8/1999	Solomon	30/315
D512,807	S *	12/2005	Haro	D1/107

\* cited by examiner

*Primary Examiner*—Terry A Wallace

(74) *Attorney, Agent, or Firm*—DLA Piper LLP (US);  
Jennifer E. Lacroix

(57) **CLAIM**

The ornamental design for a spider stackable cookie cutter set, as shown and described.

**DESCRIPTION**

FIG. 1 is a perspective view of the spider stackable cookie cutter set;

FIG. 2 is a left side elevational view of the spider stackable cookie cutter set;

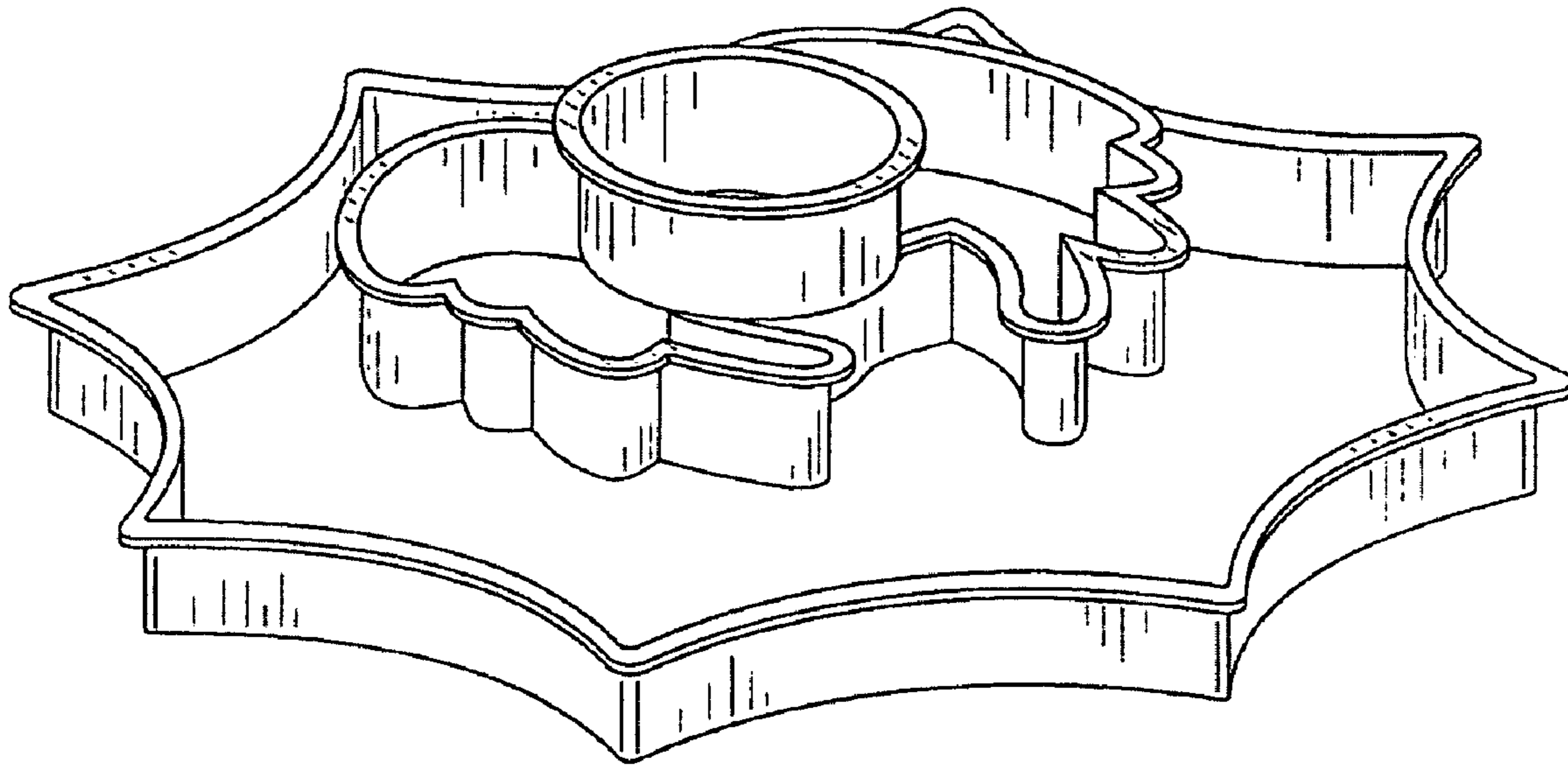
FIG. 3 is a right side elevational view of the spider stackable cookie cutter set;

FIG. 4 is a top plan view of the spider stackable cookie cutter set;

FIG. 5 is a bottom plan view of the spider stackable cookie cutter set; and,

FIG. 6 is an exploded view of the spider stackable cookie cutter set.

**1 Claim, 4 Drawing Sheets**



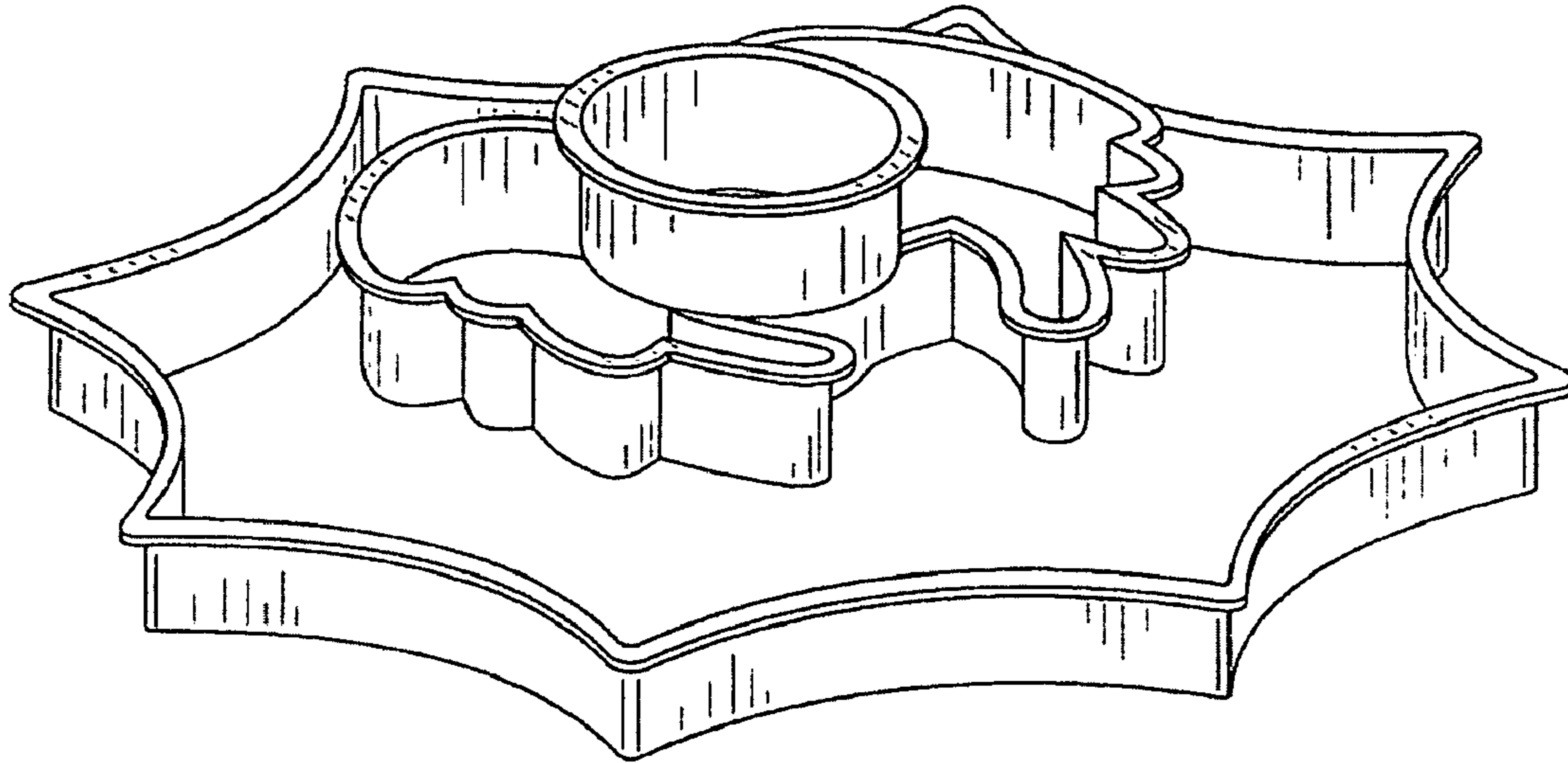


FIG. 1

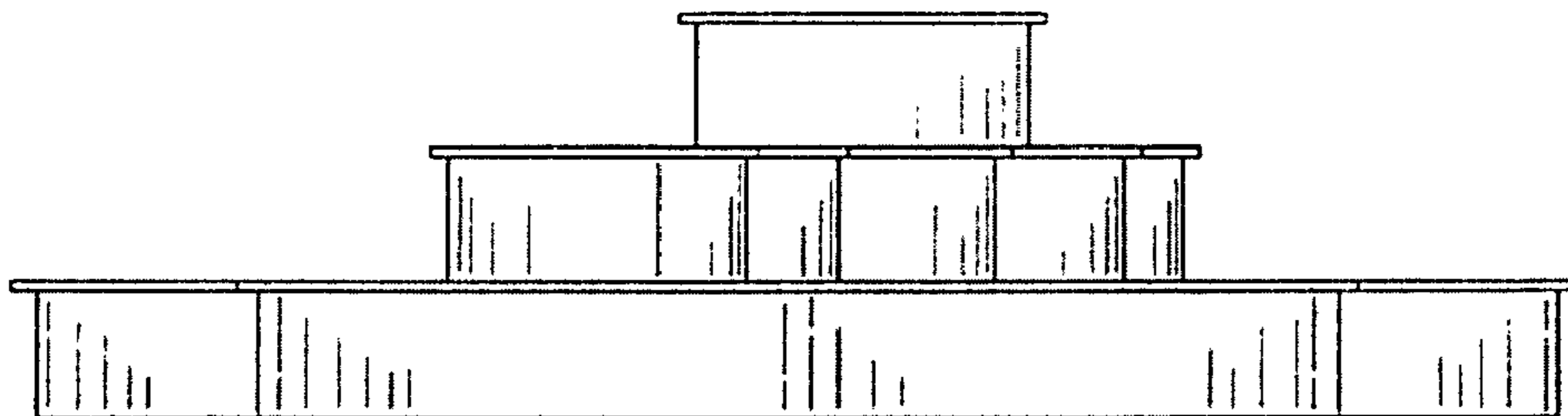


FIG. 2

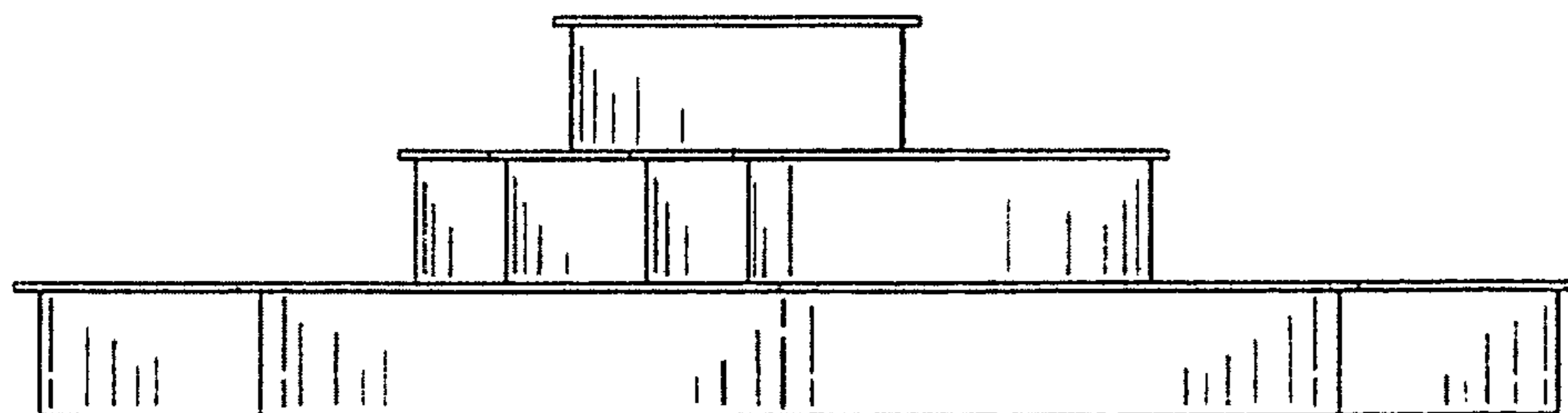


FIG. 3

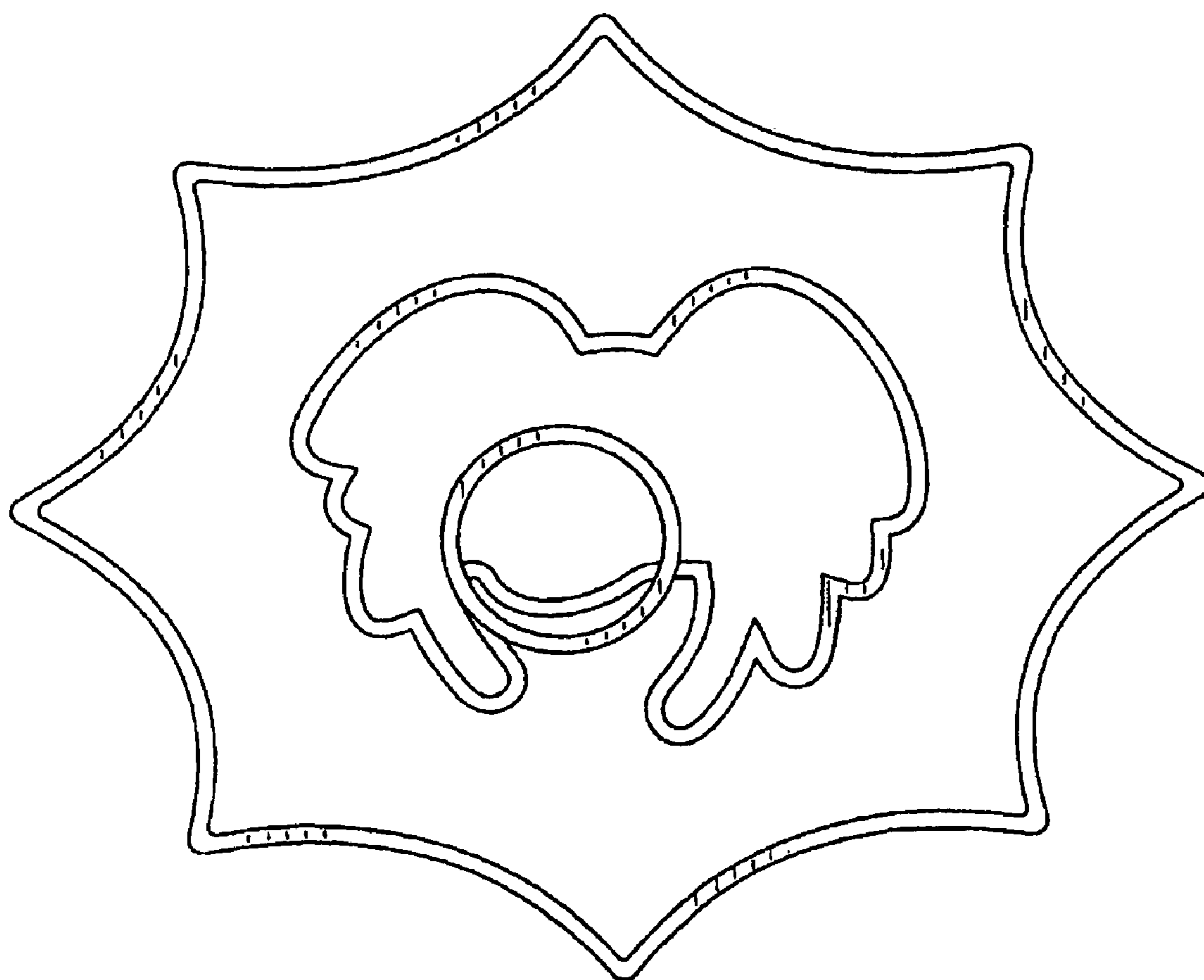


FIG. 4

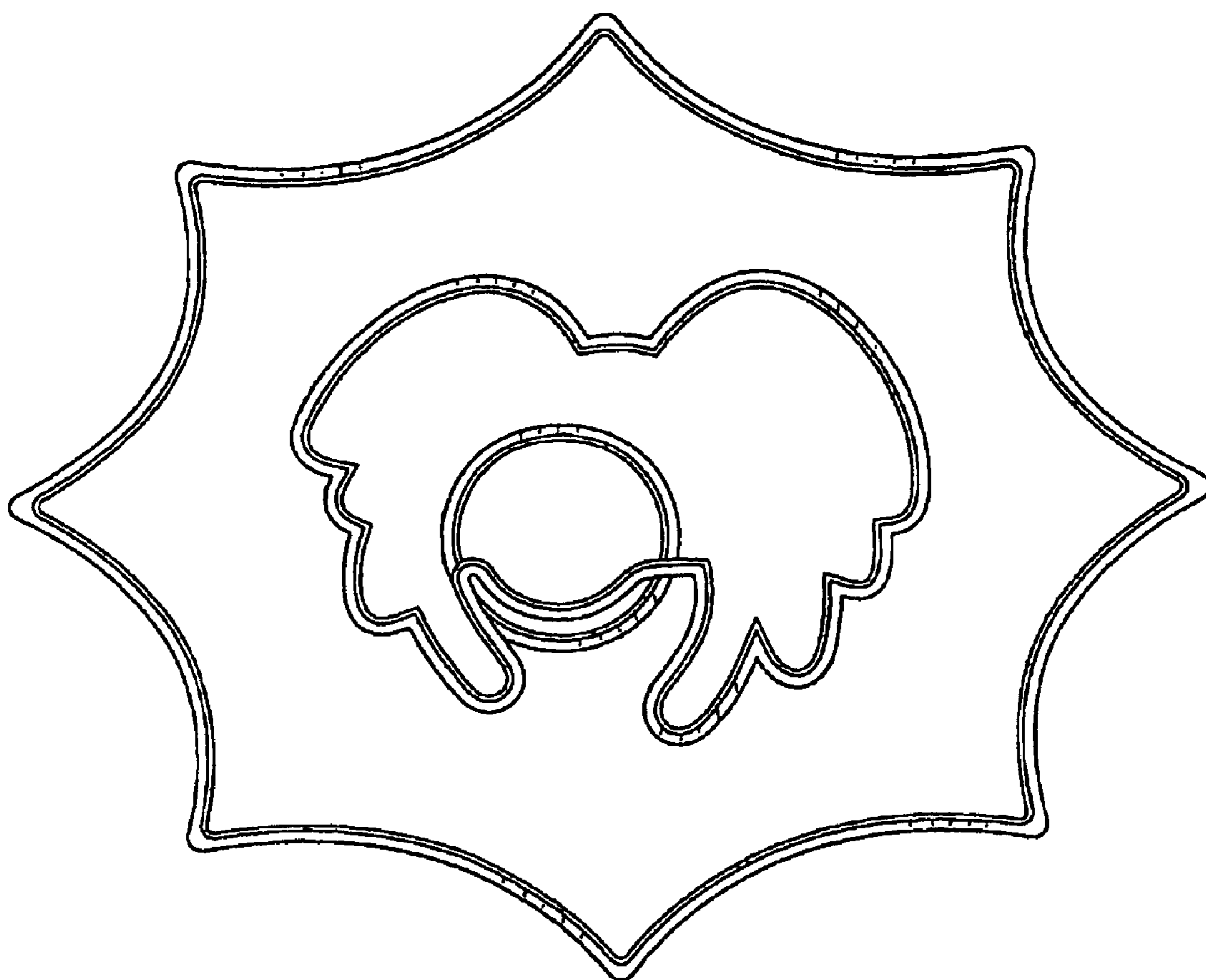


FIG. 5

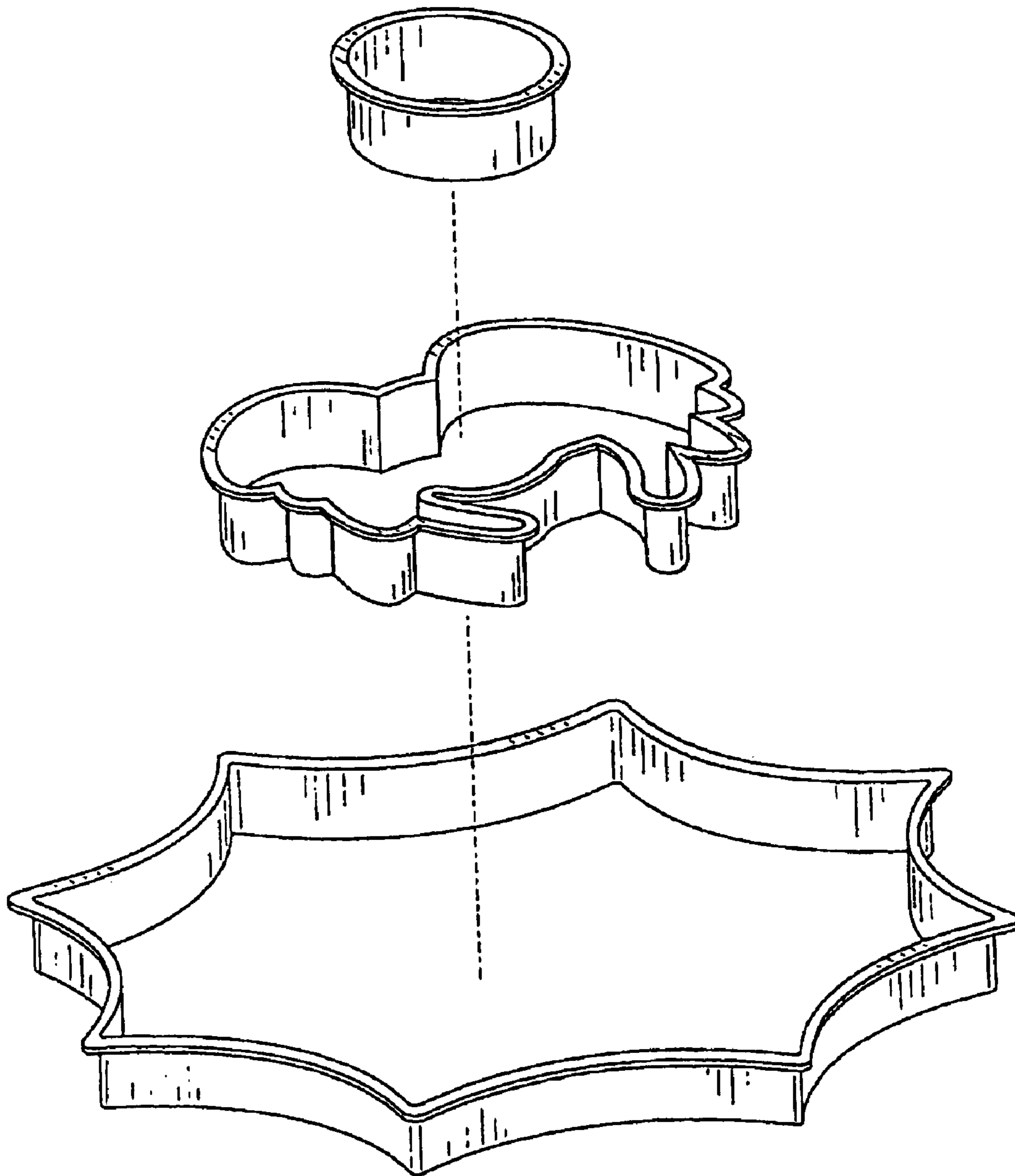


FIG. 6