



US00D581221S

(12) **United States Design Patent**
Hull

(10) **Patent No.:** **US D581,221 S**

(45) **Date of Patent:** **** Nov. 25, 2008**

(54) **MANDOLIN SLICER**

(75) Inventor: **David Hull**, Seattle, WA (US)

(73) Assignee: **Chef'n Corporation**, Seattle, WA (US)

(**) Term: **14 Years**

(21) Appl. No.: **29/296,086**

(22) Filed: **Oct. 12, 2007**

(51) **LOC (8) Cl.** **07-04**

(52) **U.S. Cl.** **D7/673**

(58) **Field of Classification Search** D7/672,
D7/673, 678, 381, 693; 83/669, 856, 857,
83/870, 932, 699.51, 699.61; 30/378, 279.6,
30/280, 283, 286, 287, 114; 241/168, 169,
241/169.1, 95; 99/508-510

See application file for complete search history.

(56) **References Cited**

U.S. PATENT DOCUMENTS

- 2,220,485 A * 11/1940 Kashew 241/168
- 2,225,658 A * 12/1940 Rauchfuss 241/95
- D287,685 S * 1/1987 Jonsson et al. D7/678
- 6,302,014 B1 * 10/2001 Kuan 241/169.1

- 6,318,652 B1 * 11/2001 Liu 241/95
- D511,946 S * 11/2005 Overthun et al. D7/678

* cited by examiner

Primary Examiner—Terry A Wallace

(74) *Attorney, Agent, or Firm*—Seed IP Law Group PLLC

(57) **CLAIM**

The ornamental design for mandolin slicer, as shown and described.

DESCRIPTION

FIG. 1 is an isometric view of mandolin slicer showing our new design.

FIG. 2 is a left side elevation view thereof.

FIG. 3 is a right side elevation view thereof.

FIG. 4 is a front elevation view thereof.

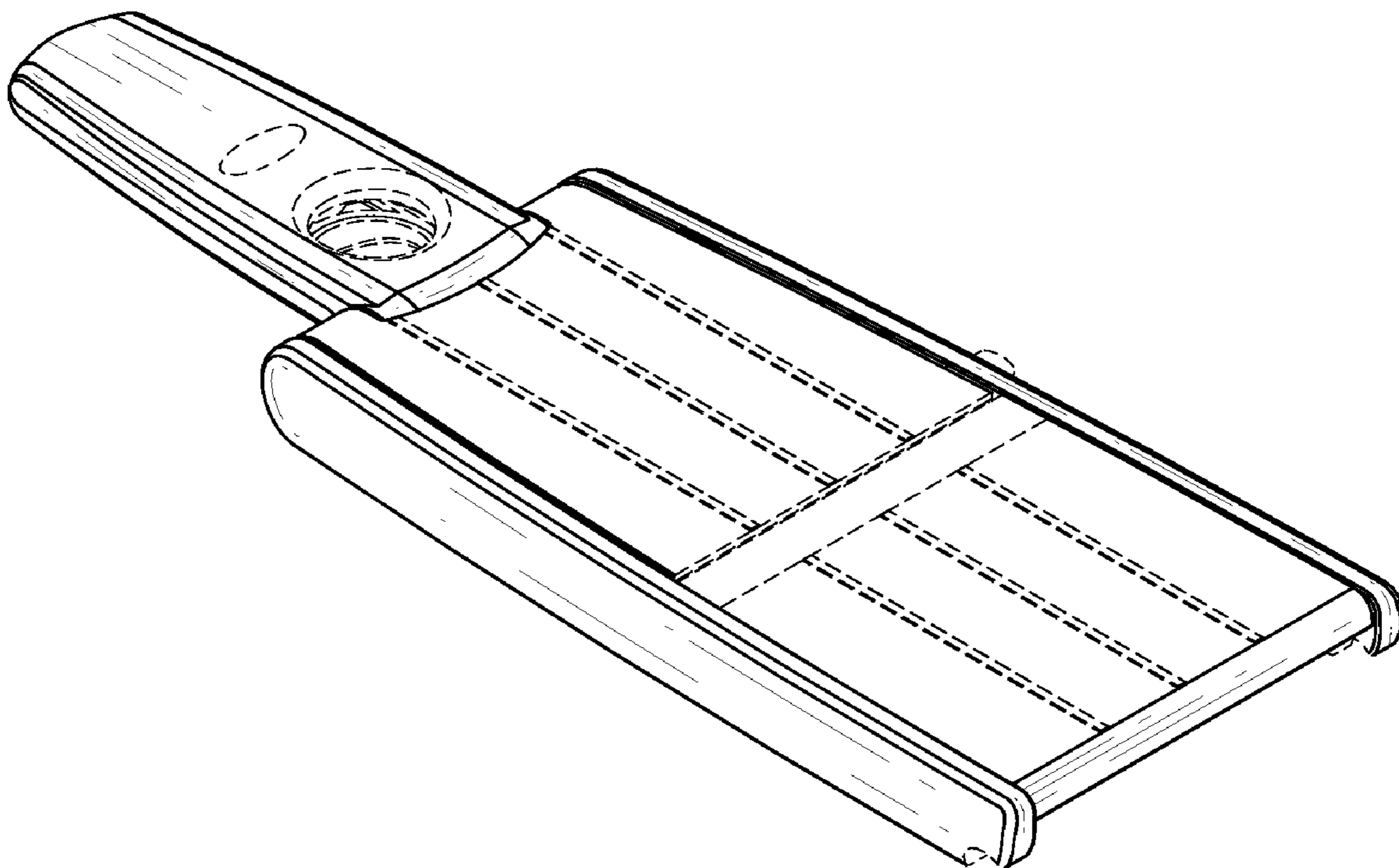
FIG. 5 is a rear elevation view thereof.

FIG. 6 is a top plan view thereof; and,

FIG. 7 is a bottom plan view thereof.

The broken lines in the figures are for illustrative purposes only and form no part of the claimed design.

1 Claim, 5 Drawing Sheets



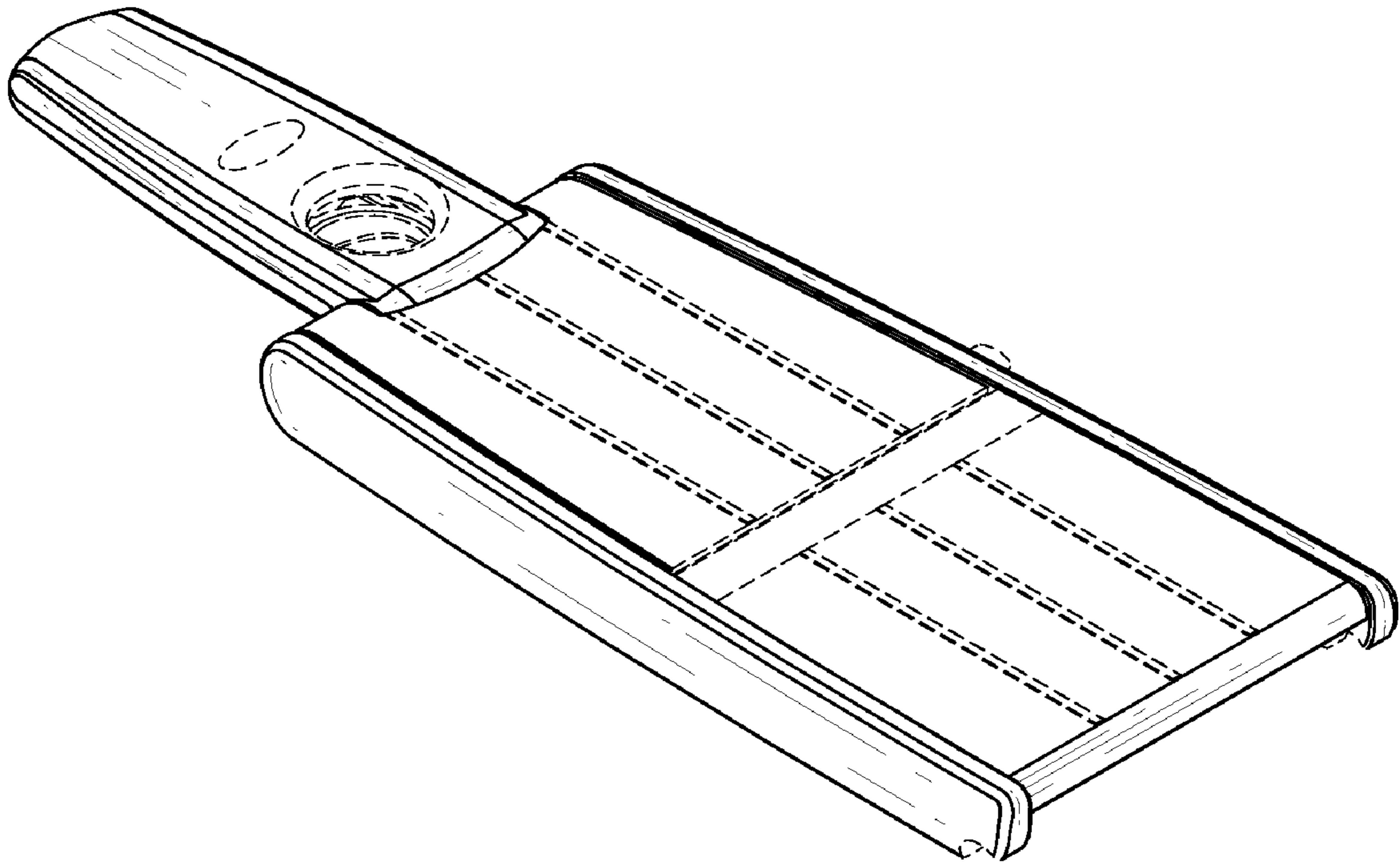


FIG. 1

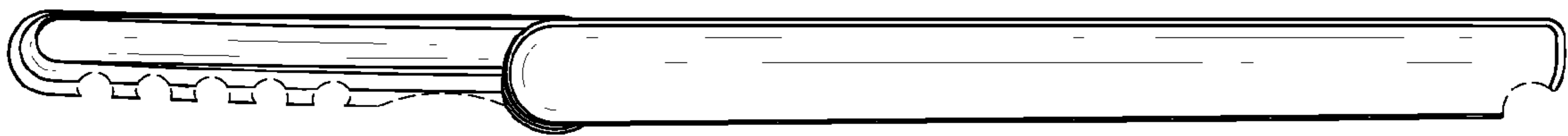


FIG. 2

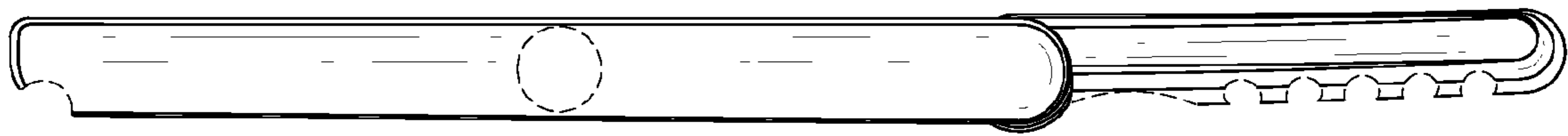


FIG. 3

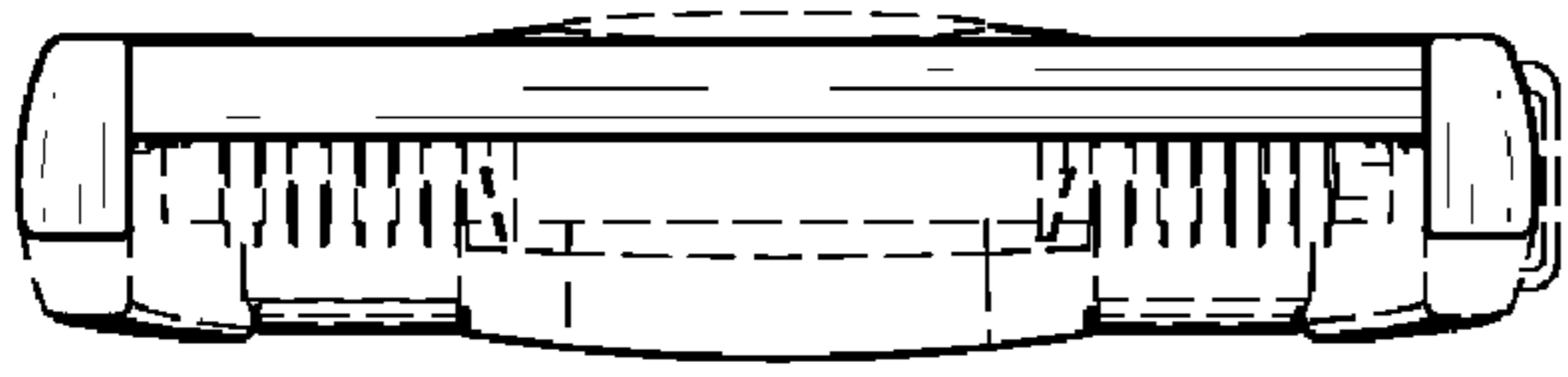


FIG. 4

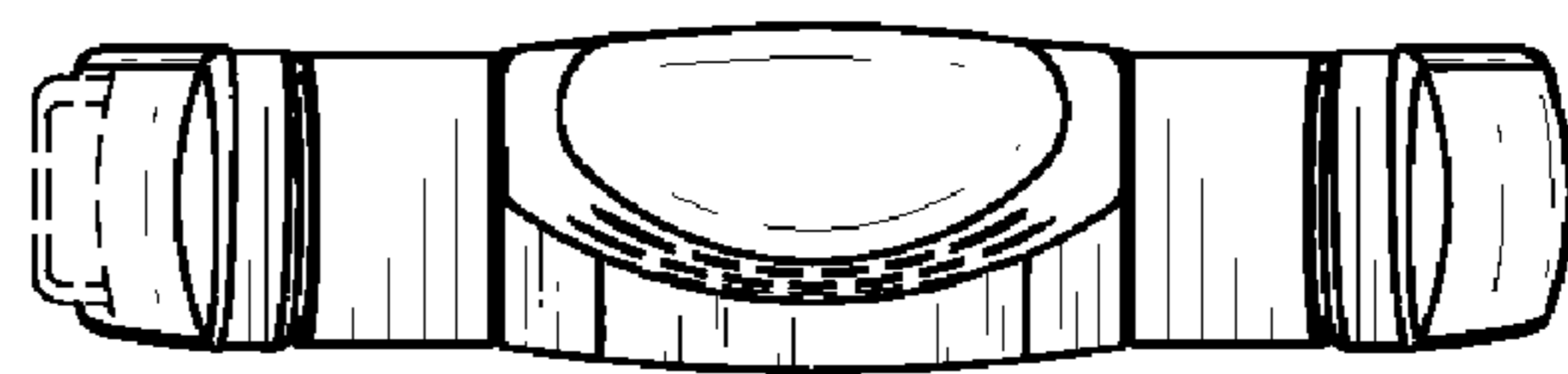


FIG. 5

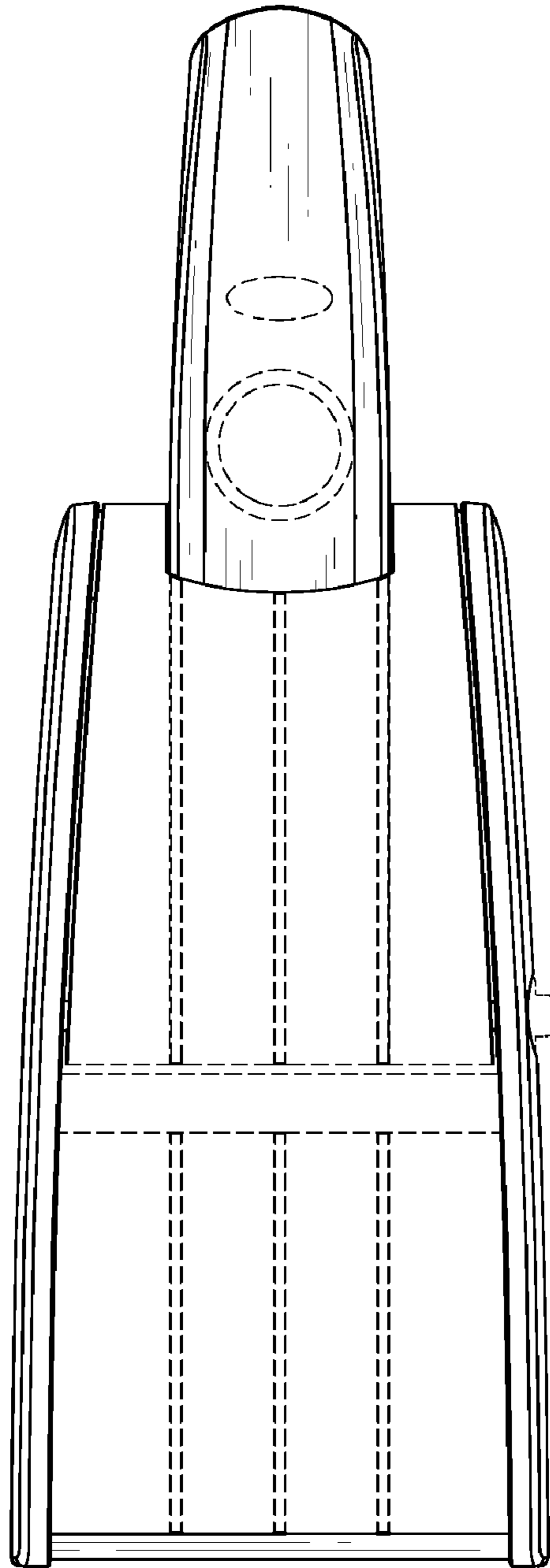


FIG. 6

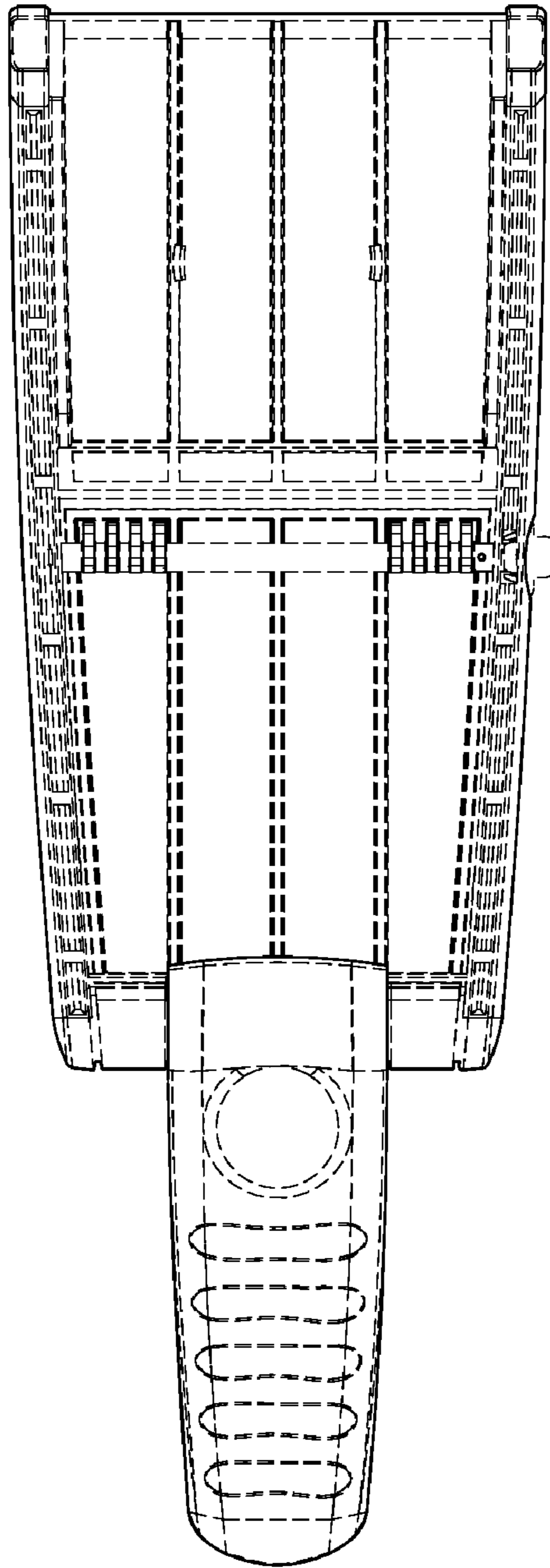


FIG. 7