



US00D581220S

(12) **United States Design Patent**
Boerner

(10) **Patent No.:** **US D581,220 S**

(45) **Date of Patent:** **** Nov. 25, 2008**

(54) **KITCHEN SLICER**

(75) Inventor: **Juergen Boerner**,
Landscheid-Niederkail (DE)

(73) Assignee: **Boerner Kunststoff-und
Metallwarenfabrik GmbH** (DE)

(**) Term: **14 Years**

(21) Appl. No.: **29/293,919**

(22) Filed: **Dec. 18, 2007**

(30) **Foreign Application Priority Data**

Jun. 18, 2007 (DE) 407 03 236

(51) **LOC (8) Cl.** **07-04**

(52) **U.S. Cl.** **D7/673**

(58) **Field of Classification Search** D7/672,
D7/673, 678, 381, 693; 99/508-510; 30/378,
30/279.6, 280, 283, 286, 287, 114; 241/95,
241/92, 168, 169, 169.1; 83/669, 856, 857,
83/699.51, 669.61, 870, 932

See application file for complete search history.

(56) **References Cited**

U.S. PATENT DOCUMENTS

4,624,166 A * 11/1986 Kreth et al. 83/699.51

4,790,488 A * 12/1988 Borner 241/95

D326,388 S * 5/1992 Boerner D7/673

D406,018 S * 2/1999 Zirbes D7/673

6,082,645 A * 7/2000 Himmighofen et al. 241/168

* cited by examiner

Primary Examiner—Terry A Wallace

(74) *Attorney, Agent, or Firm*—William A. Drucker

(57) **CLAIM**

The ornamental design for a kitchen slicer, as shown and described.

DESCRIPTION

FIG. 1 is a top perspective view of a kitchen slicer showing my new design.

FIG. 2 is a top plan view thereof.

FIG. 3 is a right side view thereof.

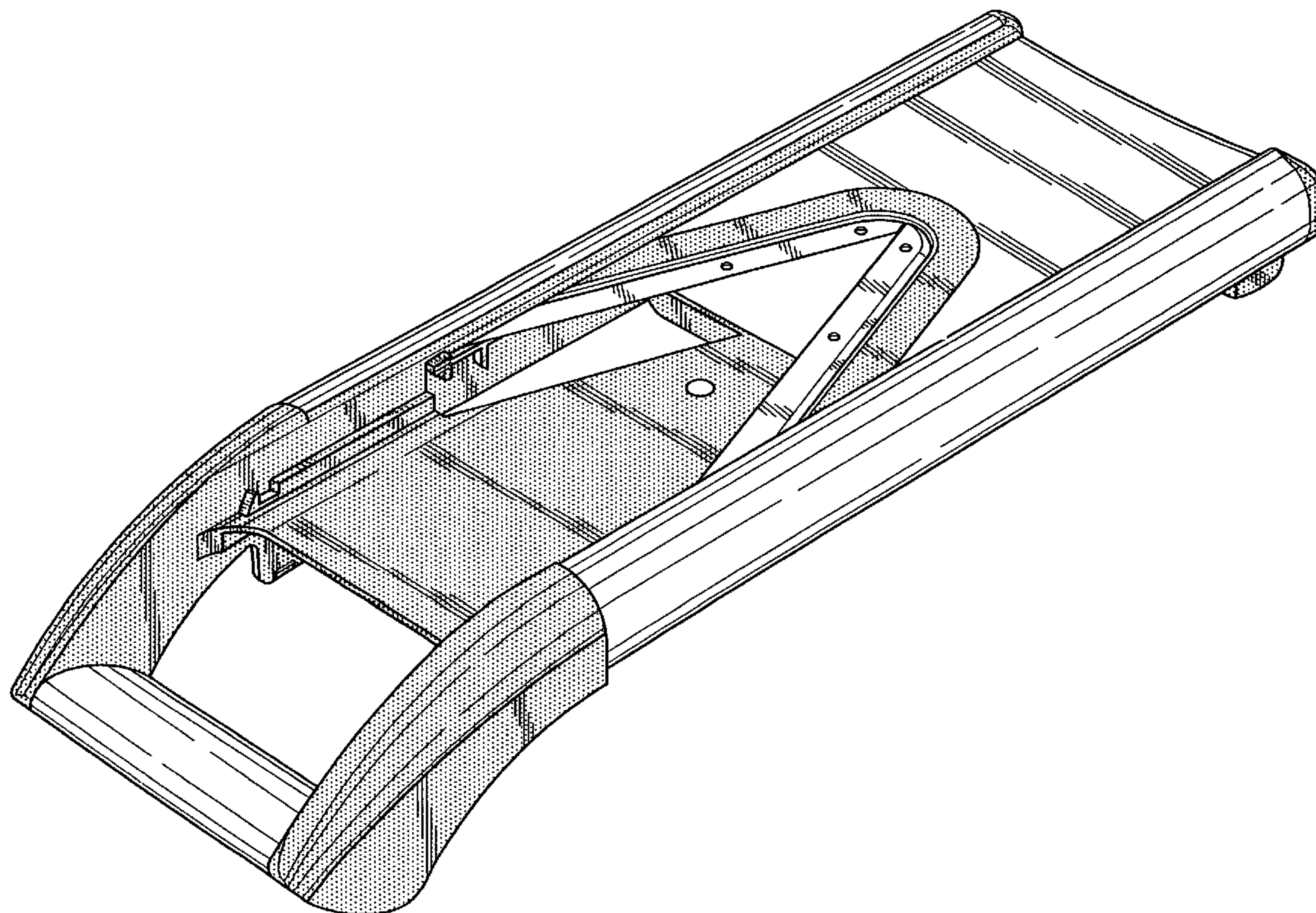
FIG. 4 is a left side view thereof.

FIG. 5 is a bottom plan view thereof.

FIG. 6 is a rear view thereof; and,

FIG. 7 is a front view thereof.

1 Claim, 5 Drawing Sheets



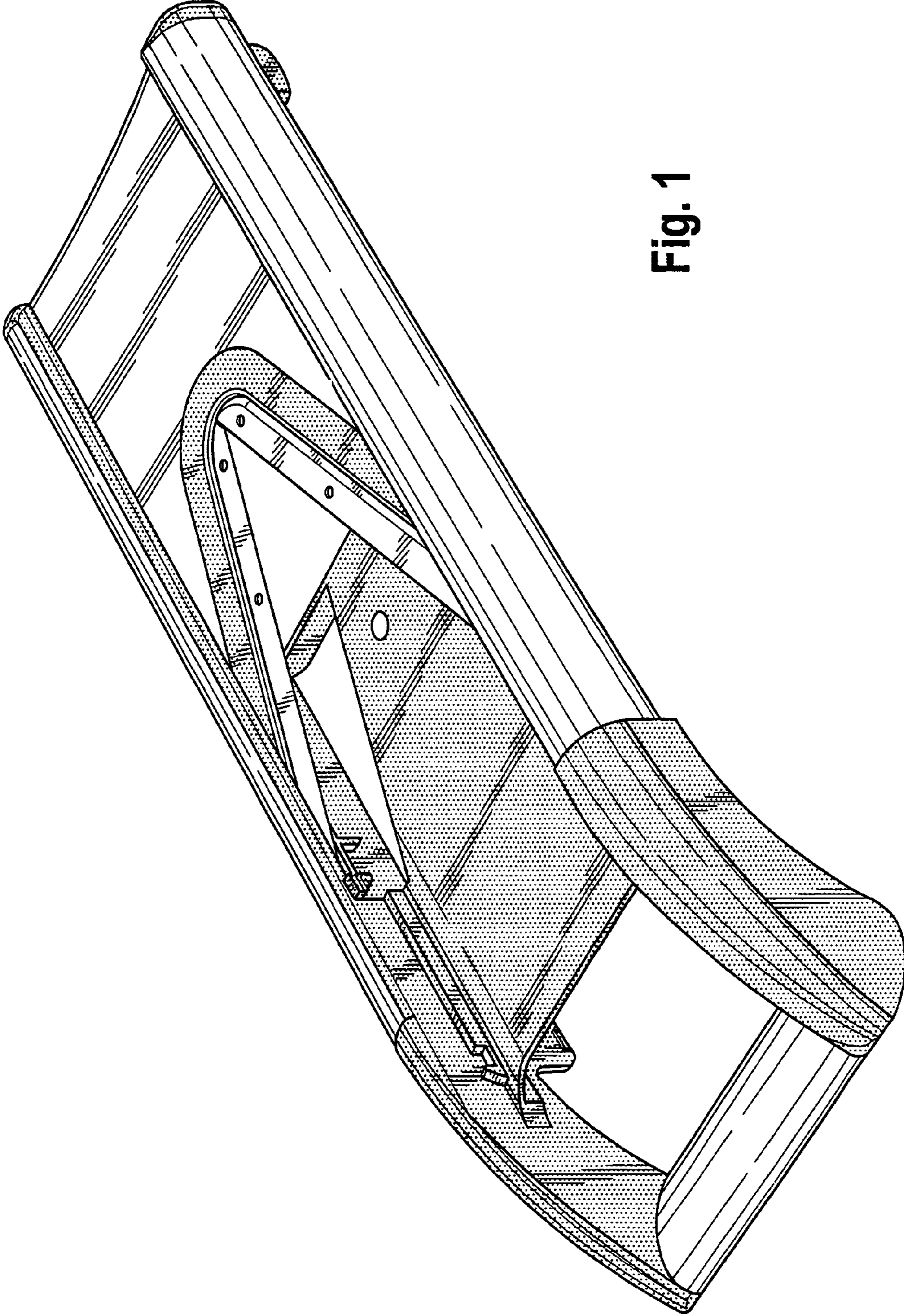


Fig. 1

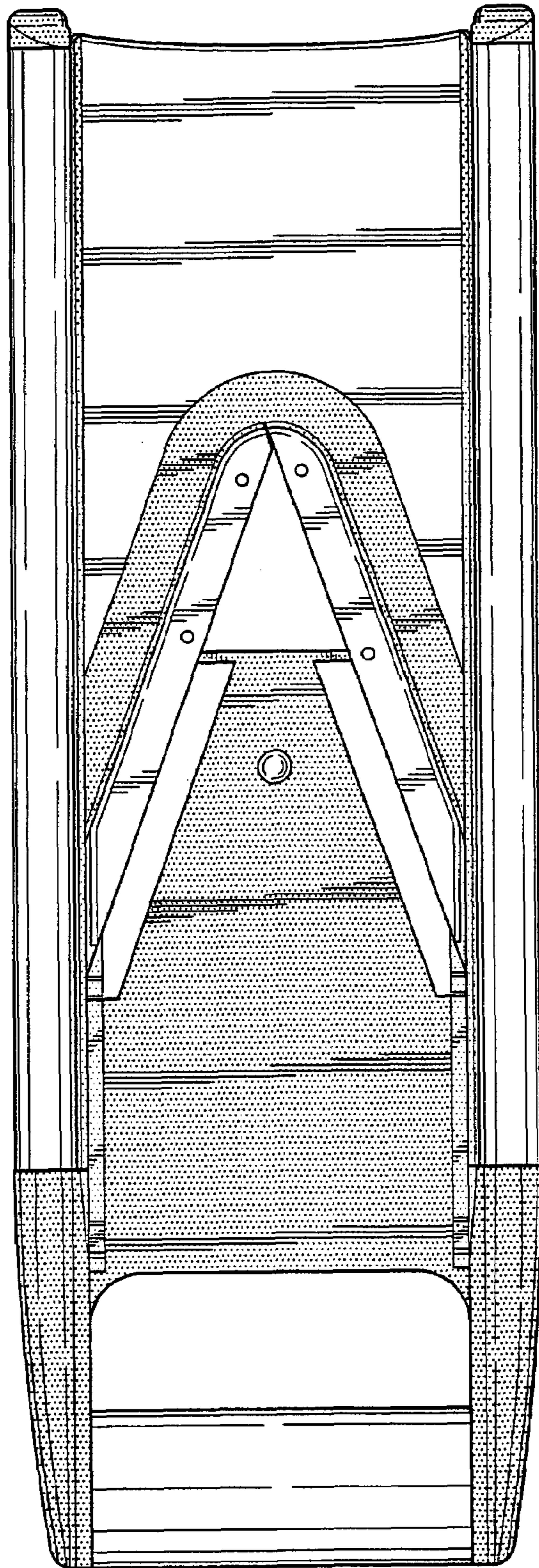


Fig. 2

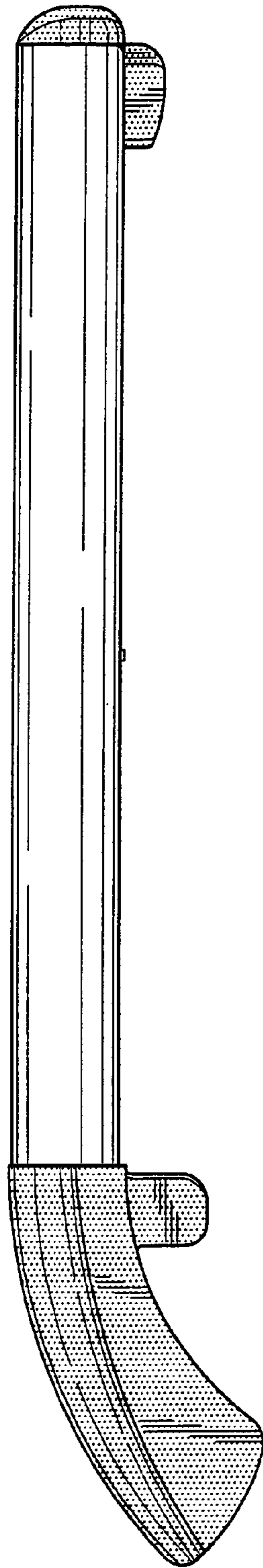


Fig. 3

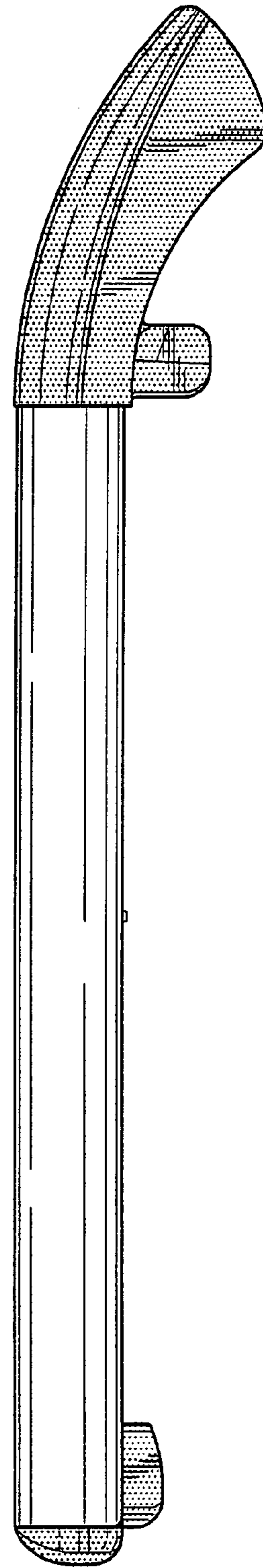


Fig. 4

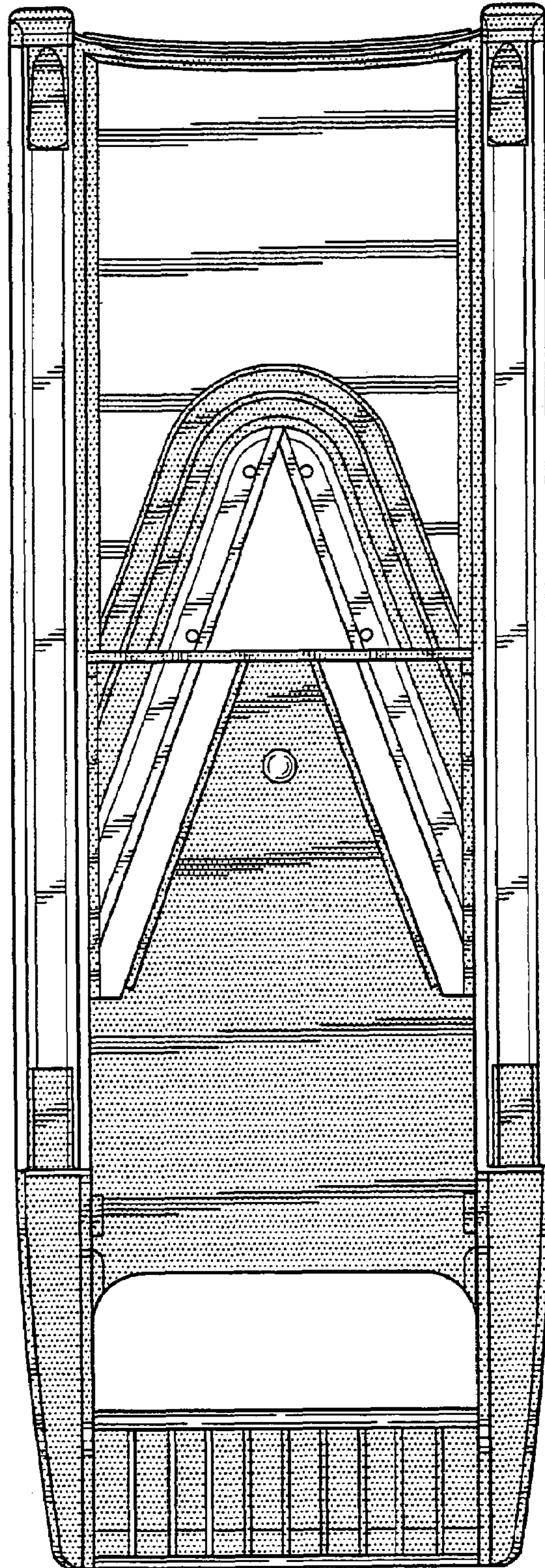


Fig. 5

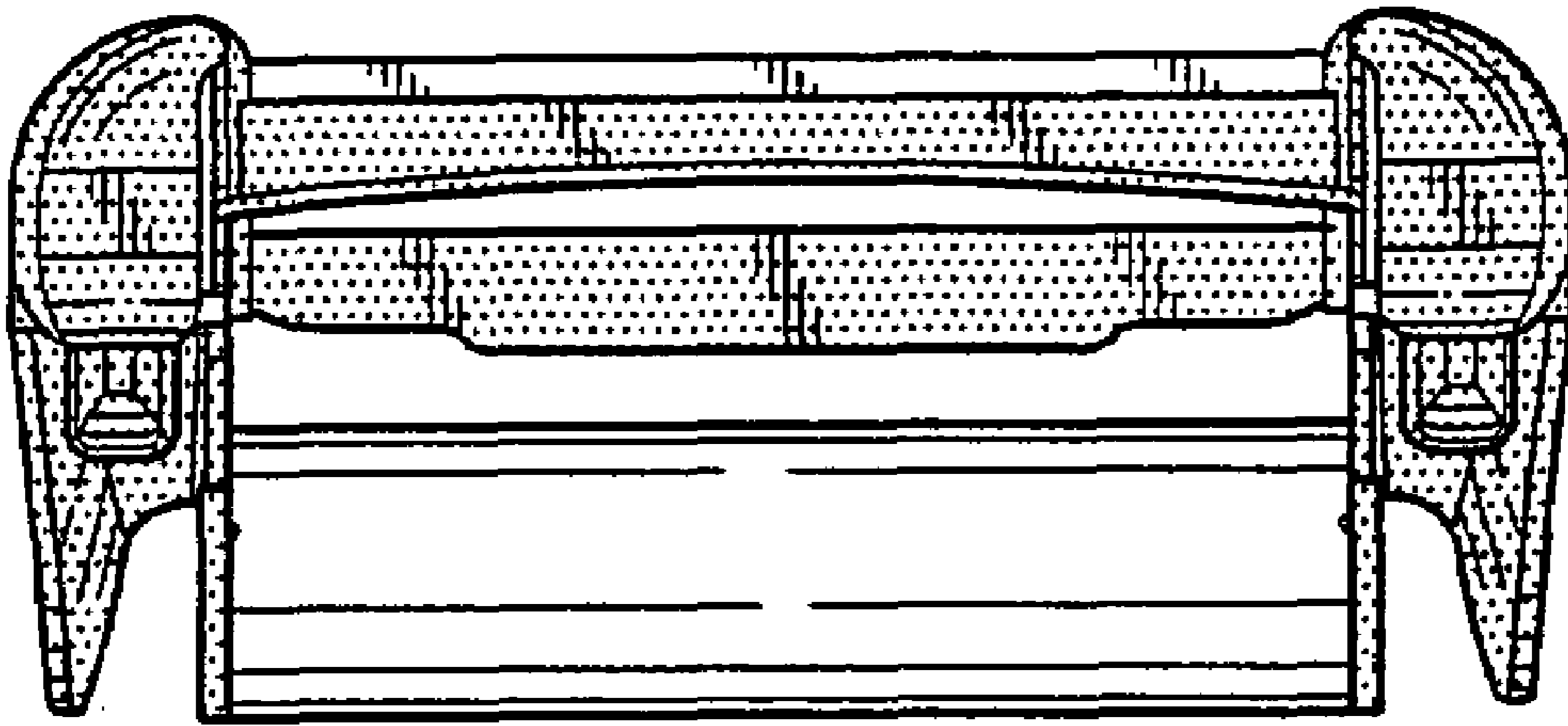


Fig. 6

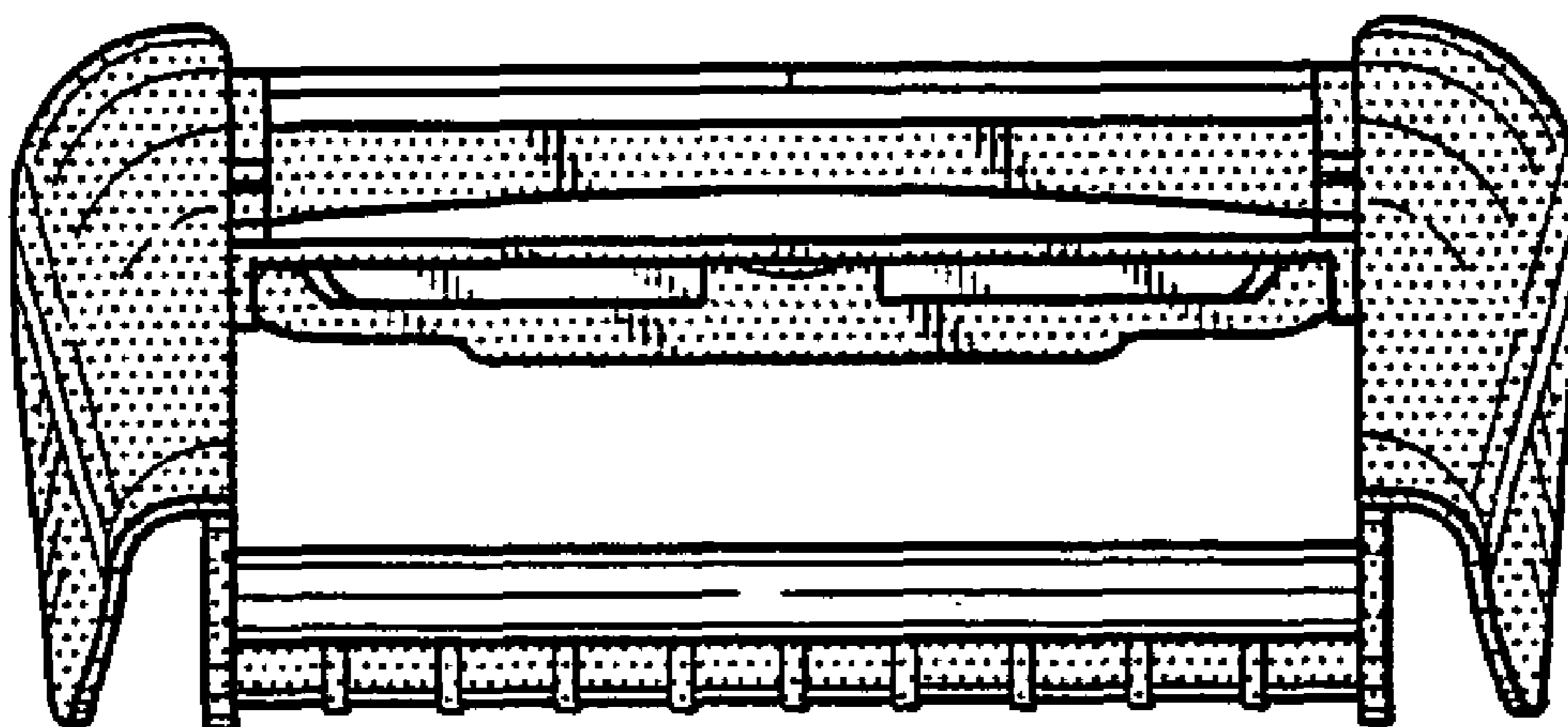


Fig. 7