



US00D581219S

(12) **United States Design Patent**
So et al.

(10) **Patent No.:** **US D581,219 S**
(45) **Date of Patent:** **** Nov. 25, 2008**

(54) **FOOD SPINNER**

5,865,109 A * 2/1999 Bull 99/495
5,904,090 A * 5/1999 Lillelund et al. 99/495
6,622,618 B1 * 9/2003 Glucksman et al. 99/495

(75) Inventors: **Kwok Kuen So**, Kowloon (HK); **Lance Logan Hood**, Seattle, WA (US)

* cited by examiner

(73) Assignee: **Kwok Kuen So**, Kowloon, Hong Kong SAR (CN)

Primary Examiner—Terry A Wallace
(74) *Attorney, Agent, or Firm*—Alix, Yale & Ristas, LLP

(**) Term: **14 Years**

(57) **CLAIM**

(21) Appl. No.: **29/293,258**

The ornamental design for a food spinner, as shown and described.

(22) Filed: **Nov. 13, 2007**

(51) **LOC (8) Cl.** **07-04**

(52) **U.S. Cl.** **D7/665**

(58) **Field of Classification Search** D7/665–668,
D7/538–542, 629; 210/360.1, 380.1; 99/479,
99/495, 511–513; 34/58; 241/166, 169
See application file for complete search history.

DESCRIPTION

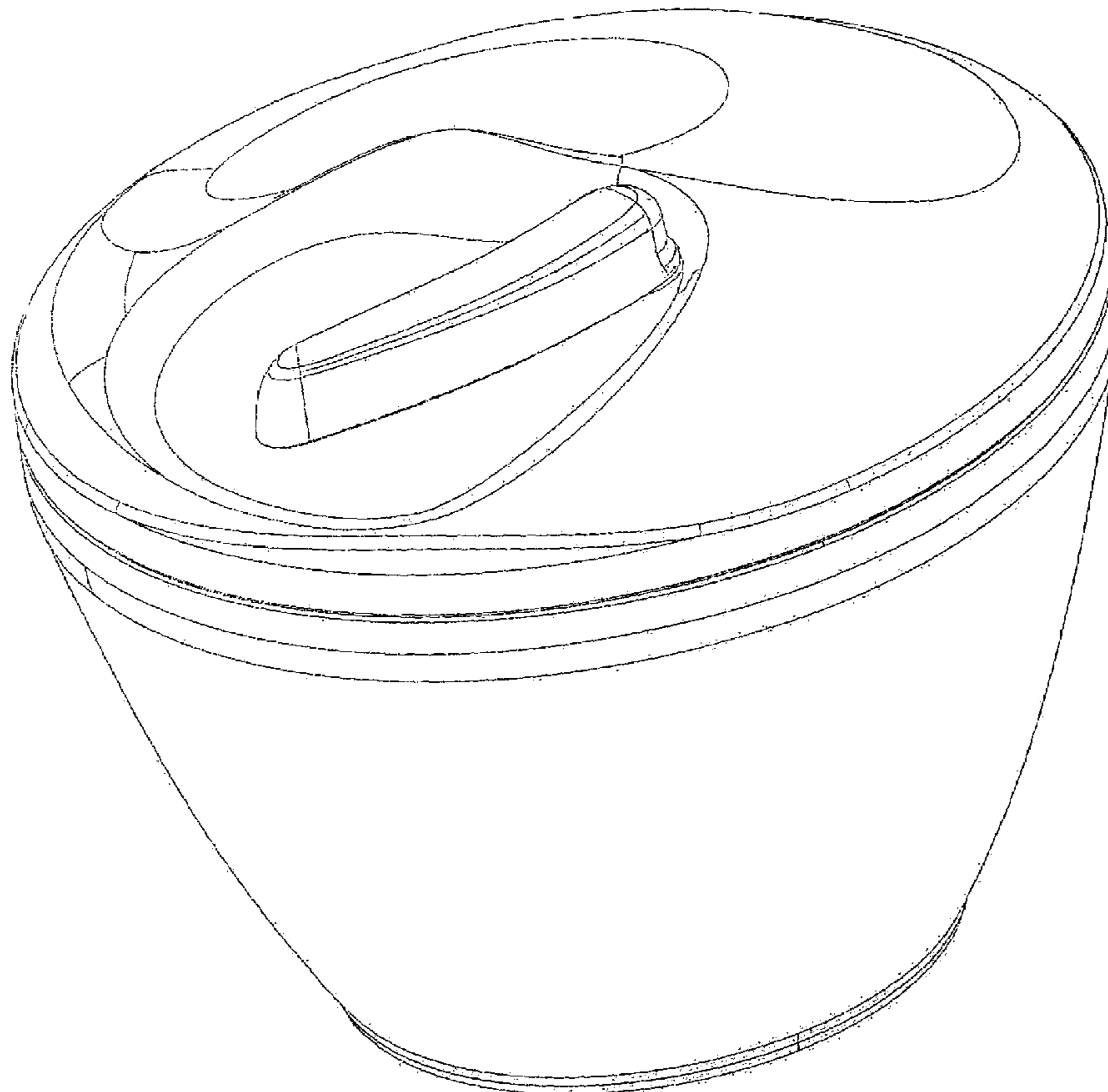
FIG. 1 is a front, left side and top perspective view of a food spinner showing my new design;
FIG. 2 is a rear, right side and top perspective view;
FIG. 3 is a front elevational view thereof;
FIG. 4 is a rear elevational view thereof;
FIG. 5 is a left side elevational view thereof;
FIG. 6 is a right side elevational view thereof;
FIG. 7 is a top plan view thereof; and,
FIG. 8 is a bottom plan view thereof.

(56) **References Cited**

U.S. PATENT DOCUMENTS

D257,203 S * 10/1980 Doyel D7/665
D260,346 S * 8/1981 Lebowitz D7/665
5,490,453 A * 2/1996 Mackay 99/495
5,490,454 A * 2/1996 Ancona et al. 99/510
5,562,025 A * 10/1996 Bull et al. 99/495

1 Claim, 8 Drawing Sheets



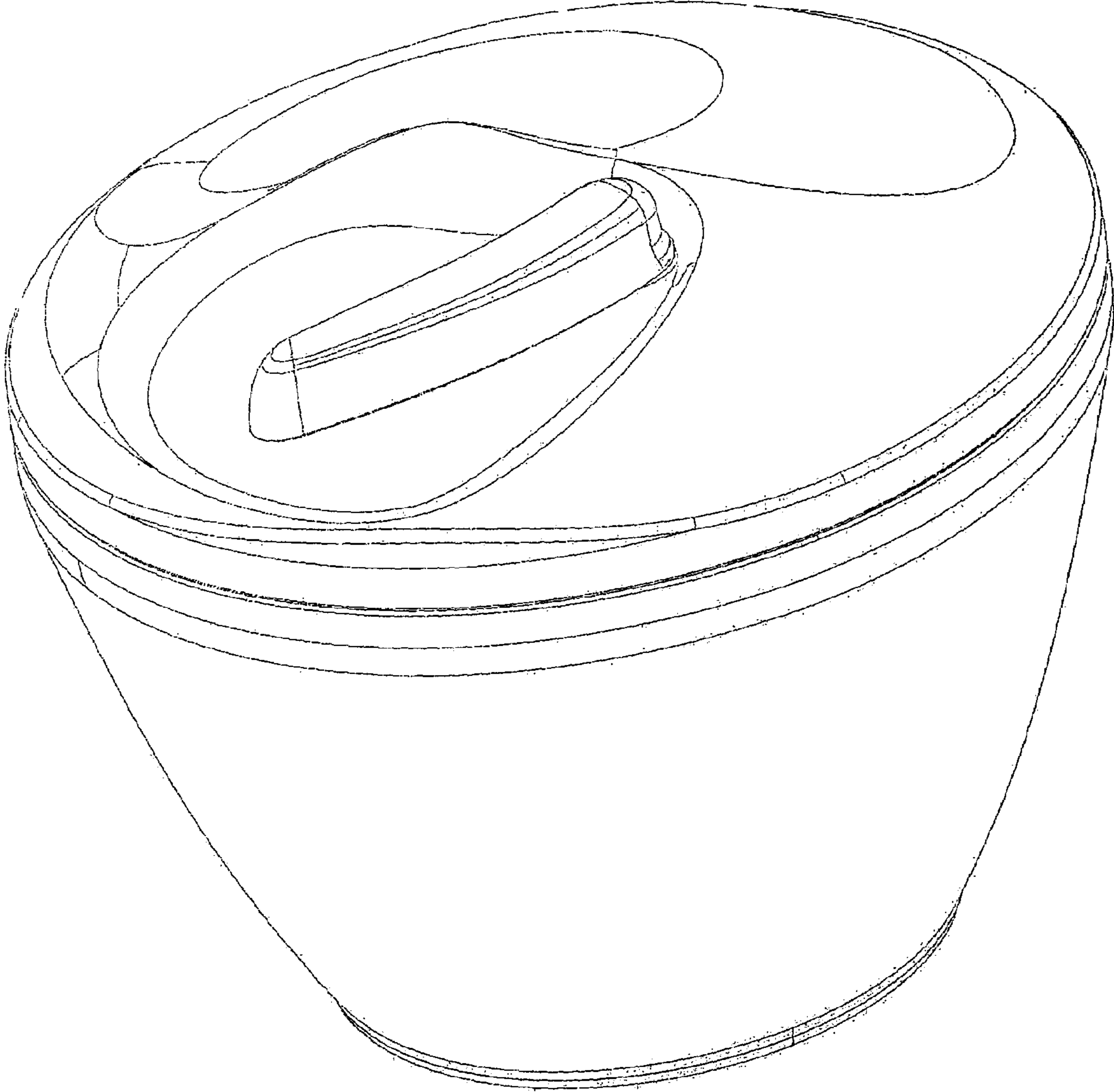


FIG. 1

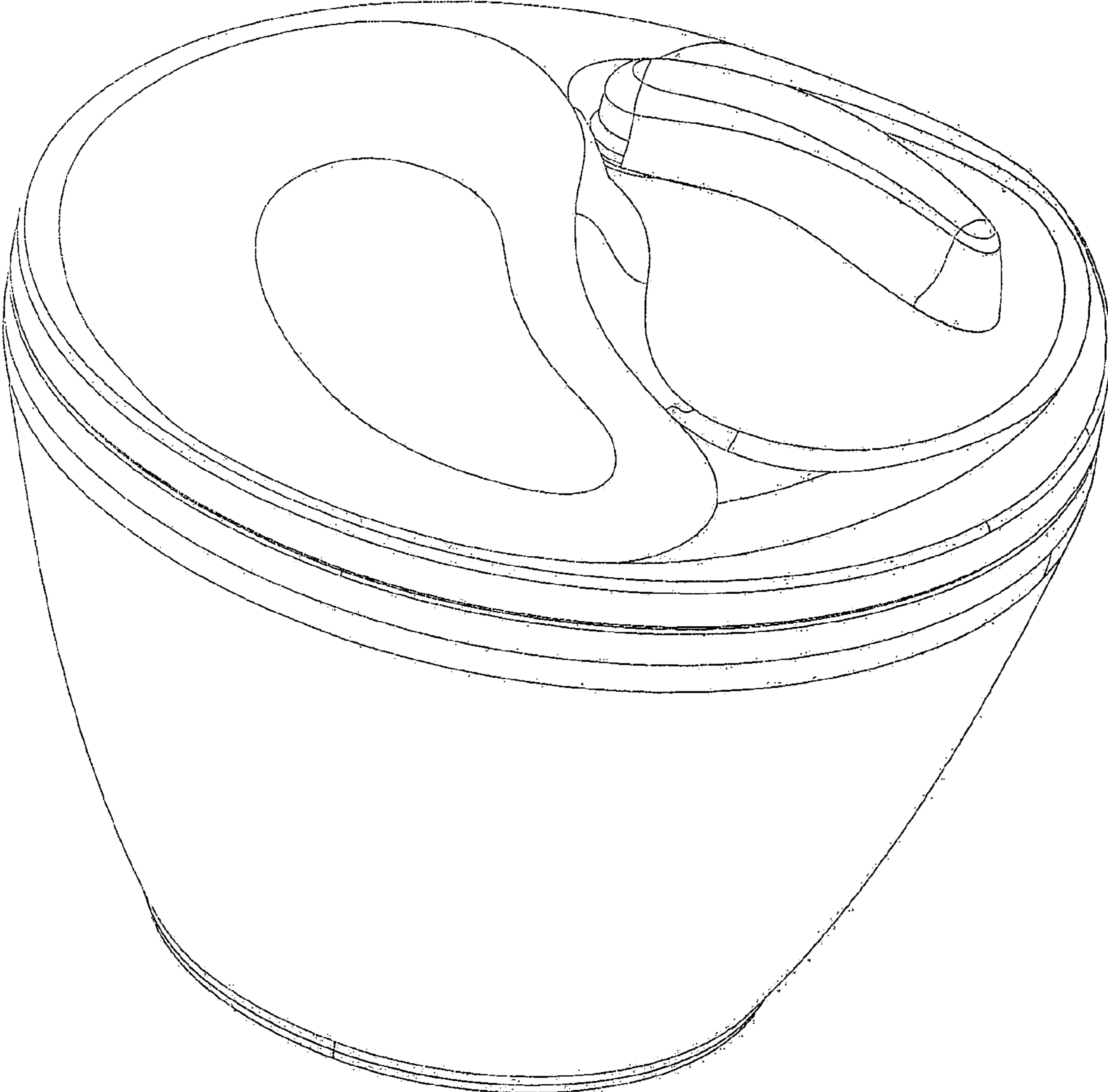


FIG. 2

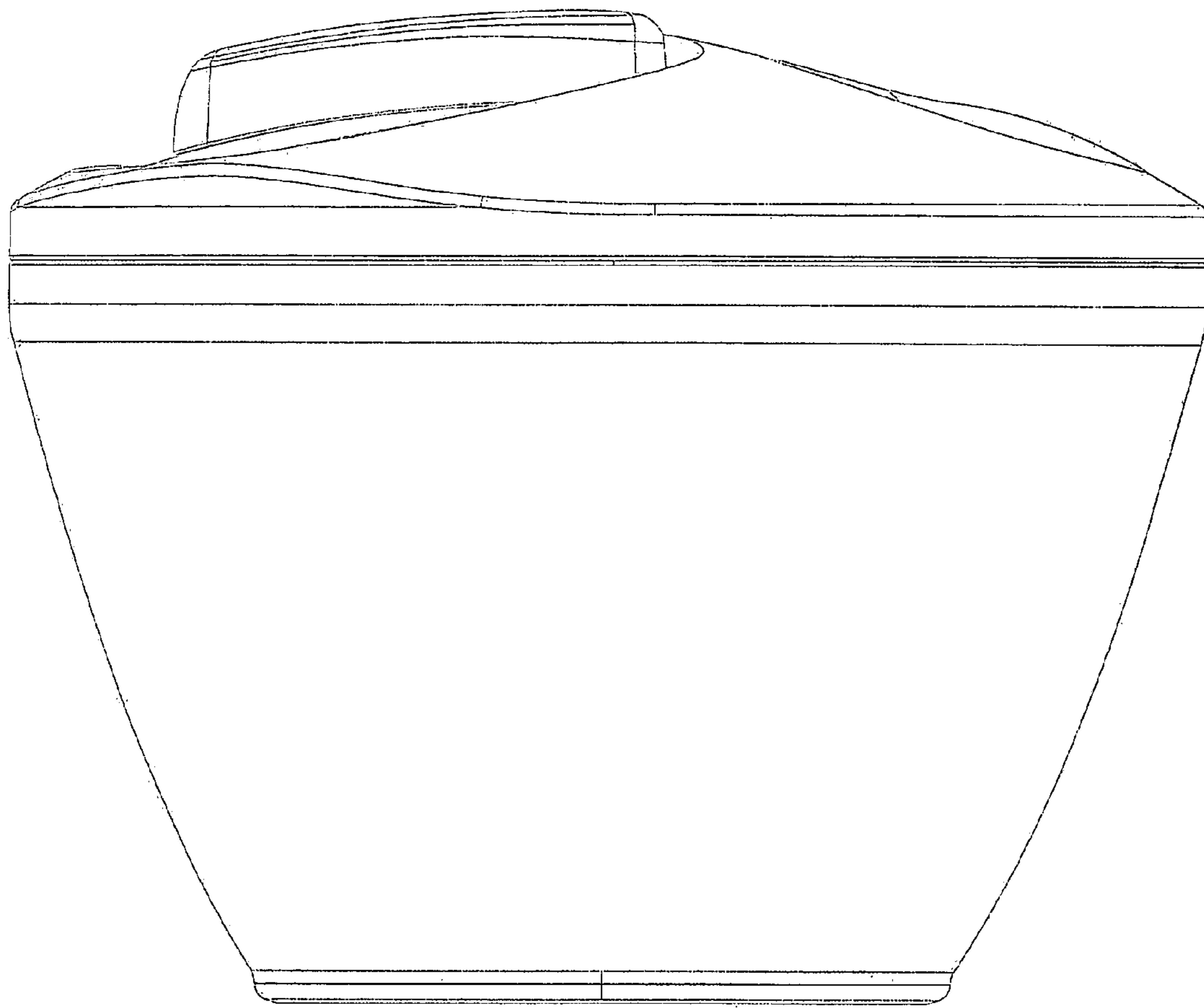


FIG. 3

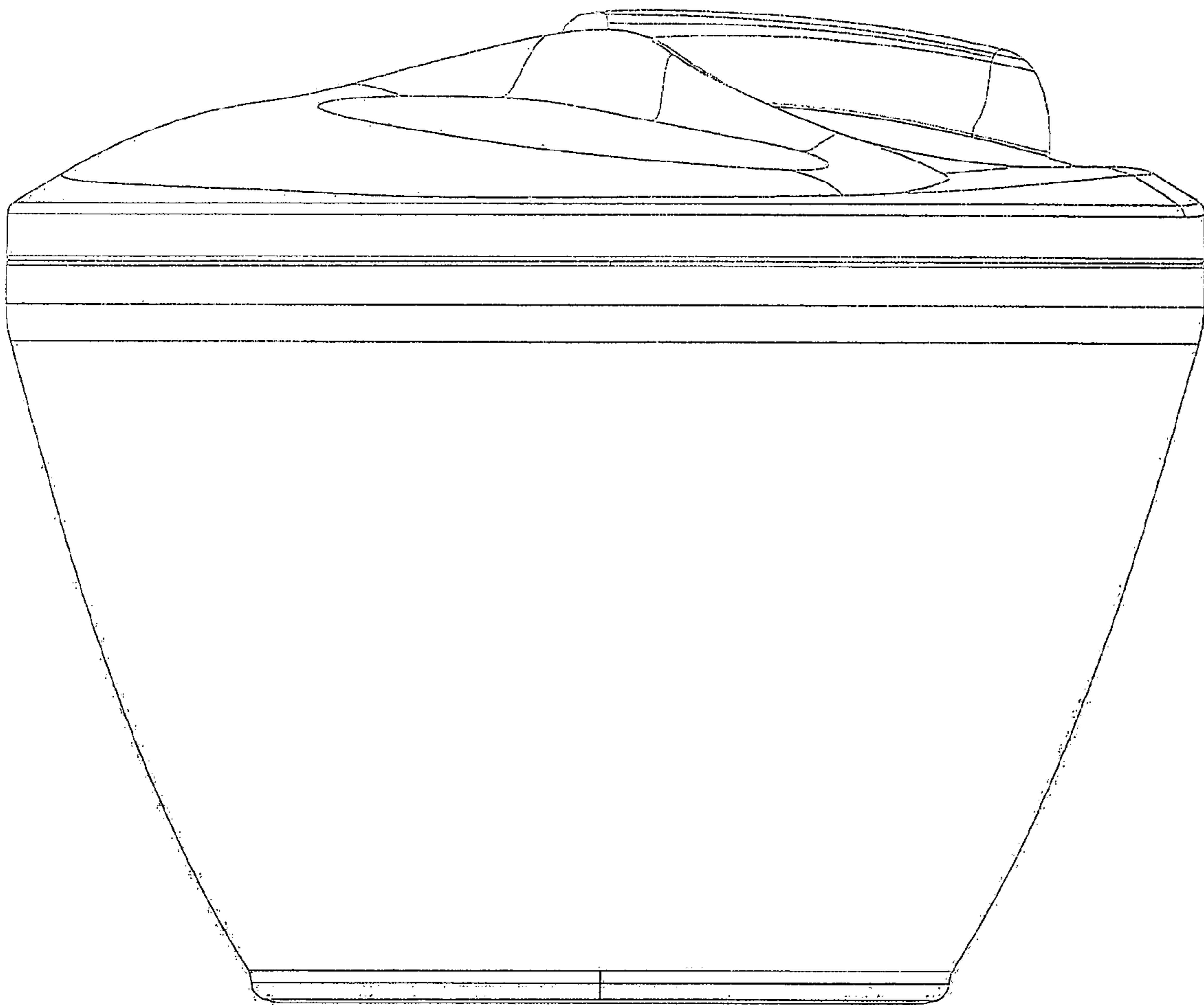


FIG. 4

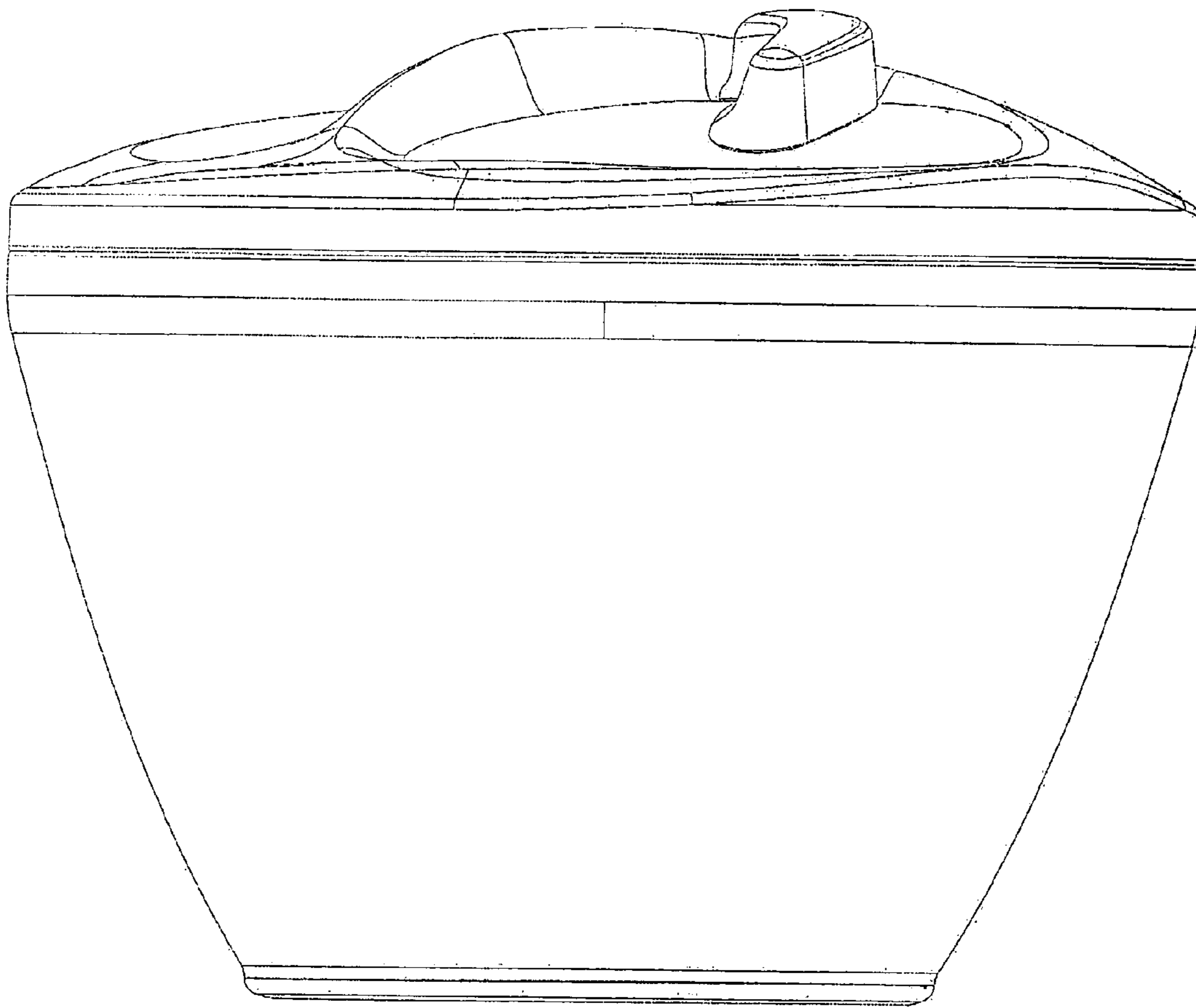


FIG. 5

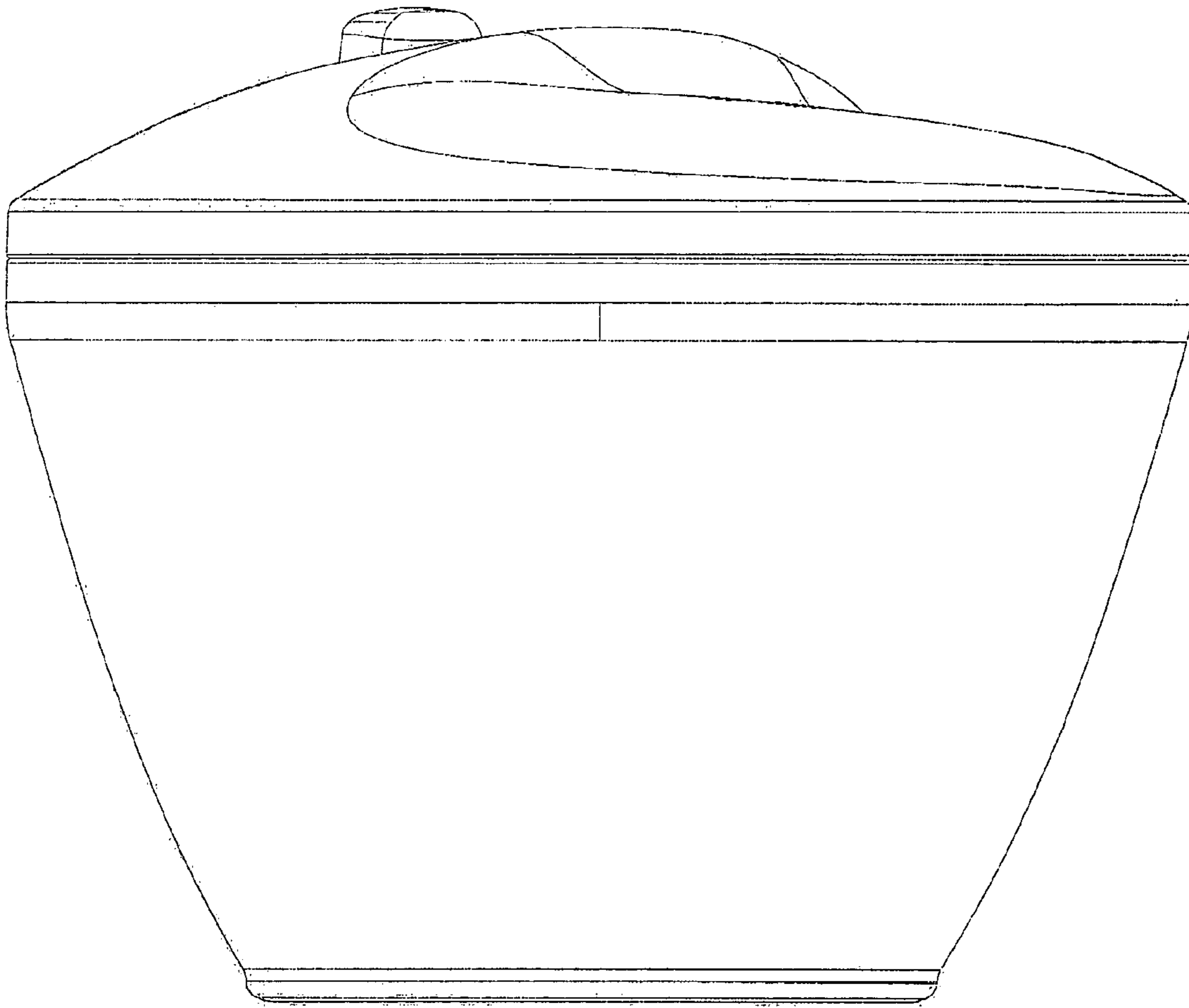


FIG. 6

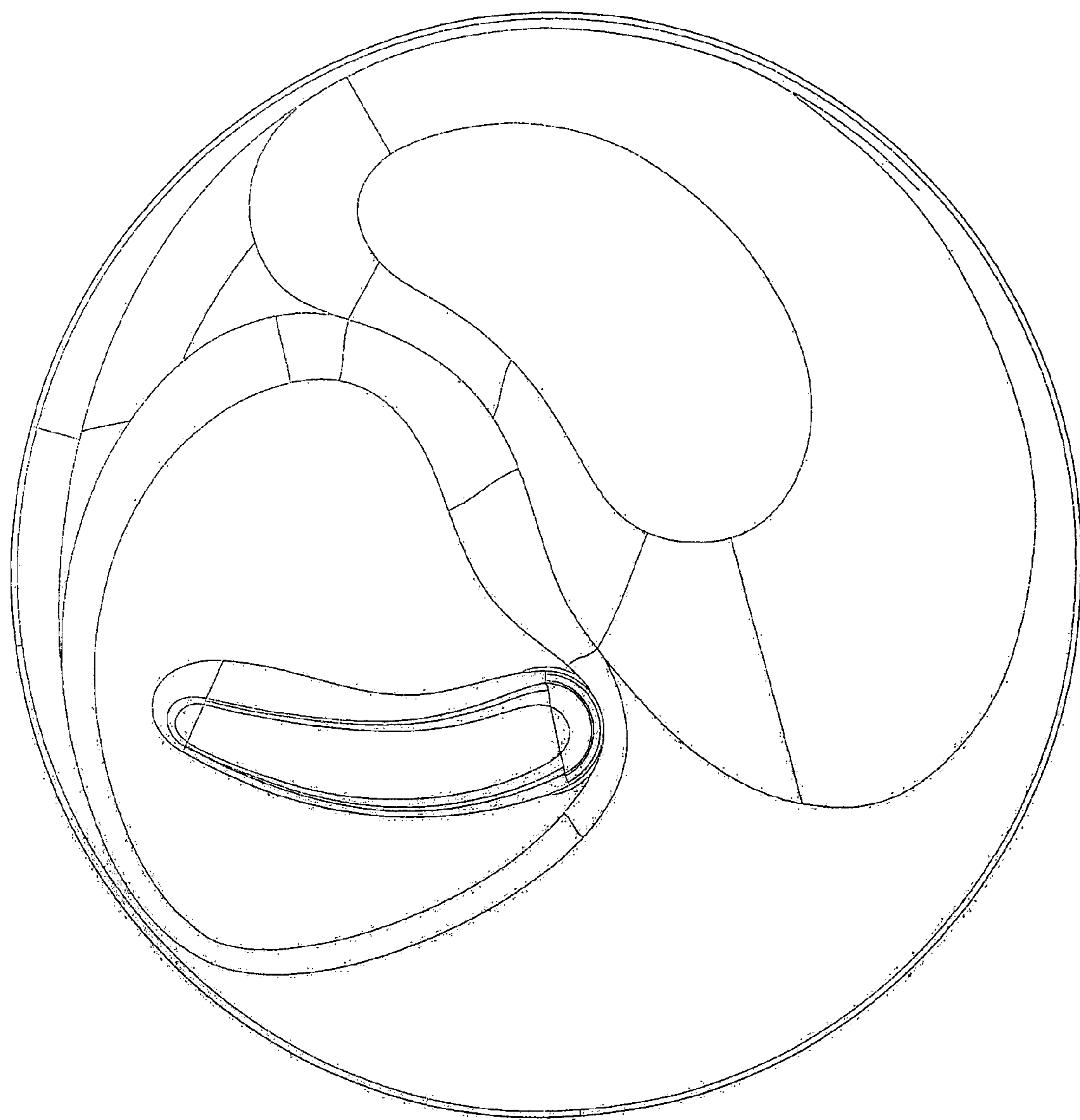


FIG. 7

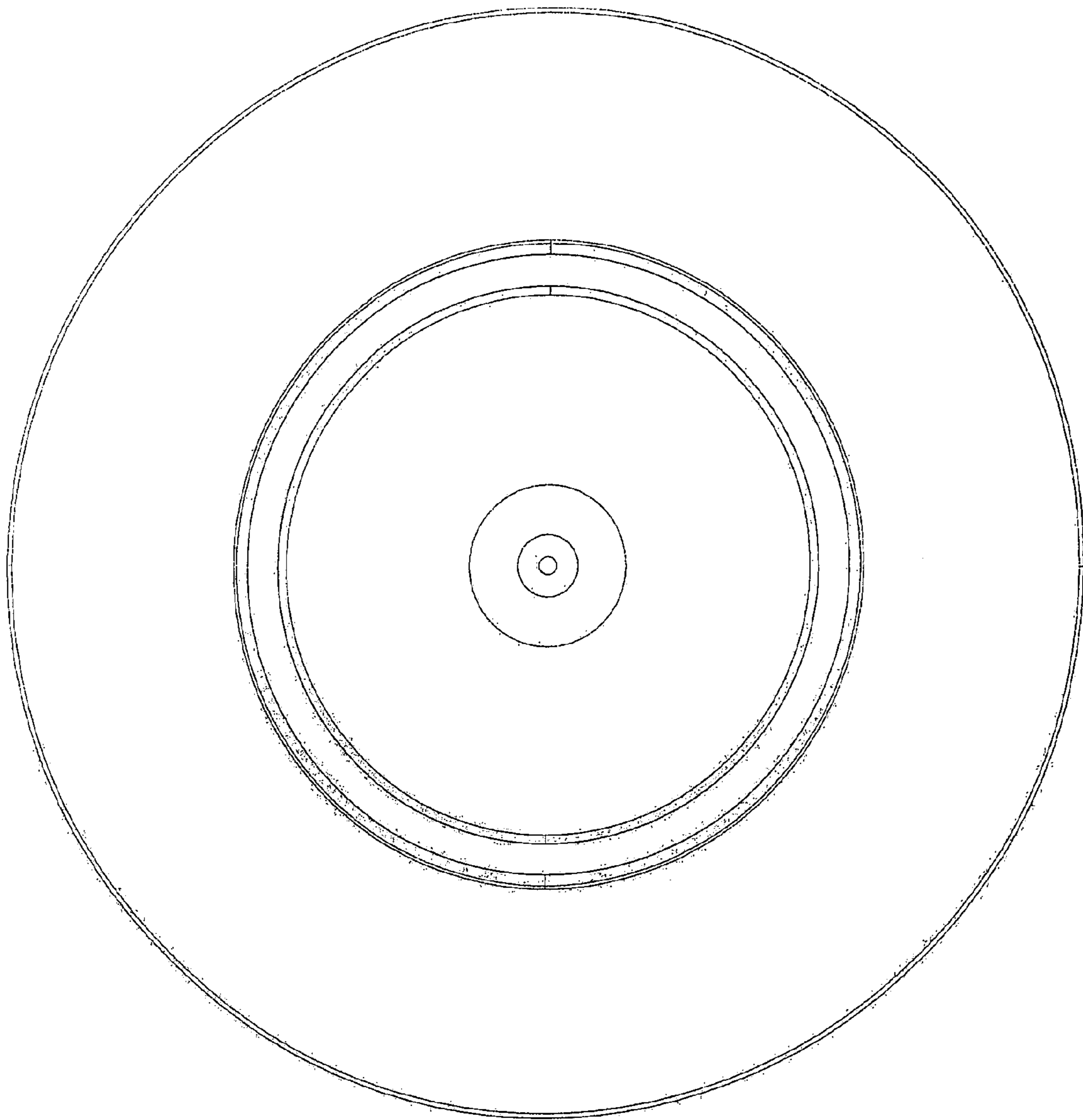


FIG. 8