



US00D581218S

(12) **United States Design Patent**  
**Green et al.**

(10) **Patent No.:** **US D581,218 S**

(45) **Date of Patent:** **\*\* Nov. 25, 2008**

(54) **POWDERED CANDY DISPENSER**

D476,855 S \* 7/2003 Green ..... D7/589

(76) Inventors: **Scott David Green**, 604 Ridge Rd.,  
Birmingham, AL (US) 35206; **Joseph**  
**Michael Wyatt**, 5718 Bent Creek Dr.,  
Pinson, AL (US) 35126

\* cited by examiner

*Primary Examiner*—Lisa P Lichtenstein  
(74) *Attorney, Agent, or Firm*—Kenneth M. Bush; Bush  
Intellectual Property Law

(\*\*) Term: **14 Years**

(57) **CLAIM**

(21) Appl. No.: **29/281,029**

The ornamental design for a powdered candy dispenser, as  
shown and described.

(22) Filed: **Jun. 13, 2007**

(51) **LOC (8) Cl.** ..... **07-06**

(52) **U.S. Cl.** ..... **D7/589**

(58) **Field of Classification Search** ..... D7/589,  
D7/590; 222/108, 185.1; D6/544; 141/99,  
141/100, 2

See application file for complete search history.

**DESCRIPTION**

FIG. 1 is a perspective view of a powdered candy dispenser,  
showing our new design;

FIG. 2 is a front elevational view thereof;

FIG. 3 is a rear elevational view thereof;

FIG. 4 is a left side elevational view thereof;

FIG. 5 is a right side elevational view thereof; and,

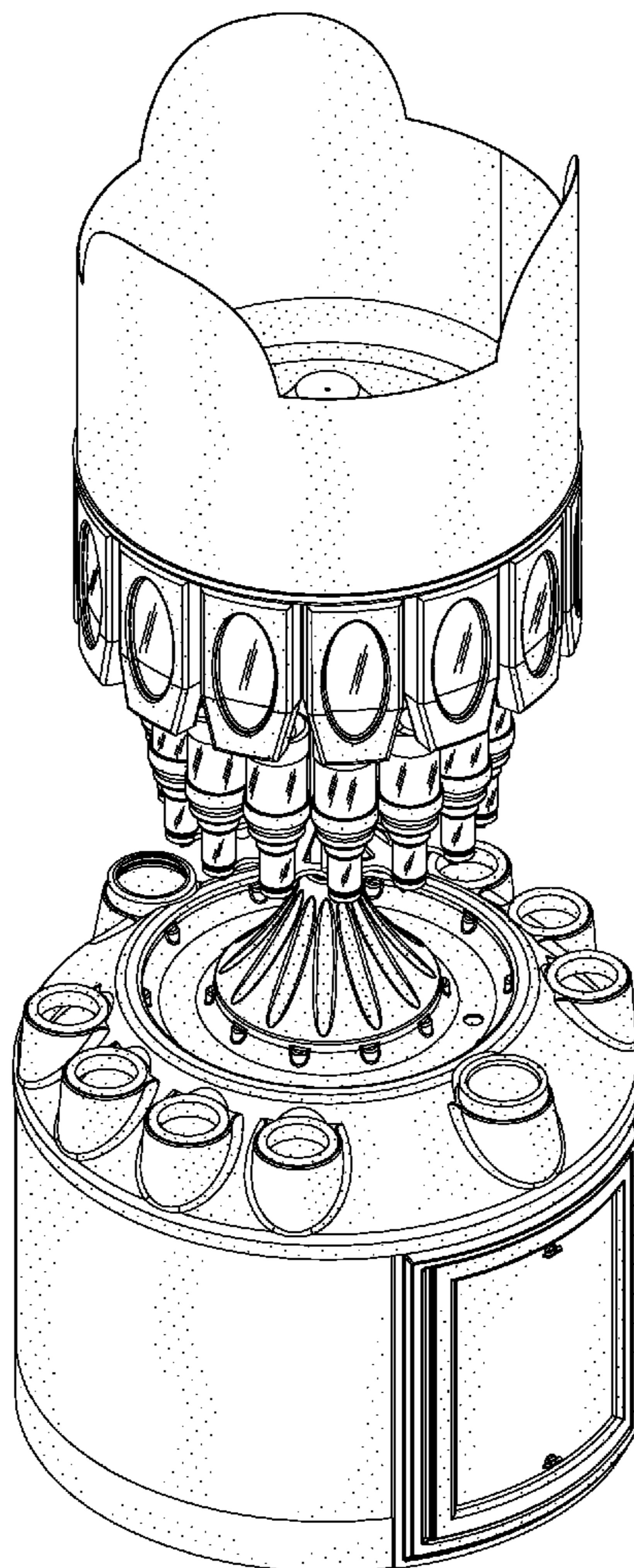
FIG. 6 is a top plan view thereof.

(56) **References Cited**

U.S. PATENT DOCUMENTS

4,569,463 A \* 2/1986 Pellegrino ..... 222/288

**1 Claim, 6 Drawing Sheets**



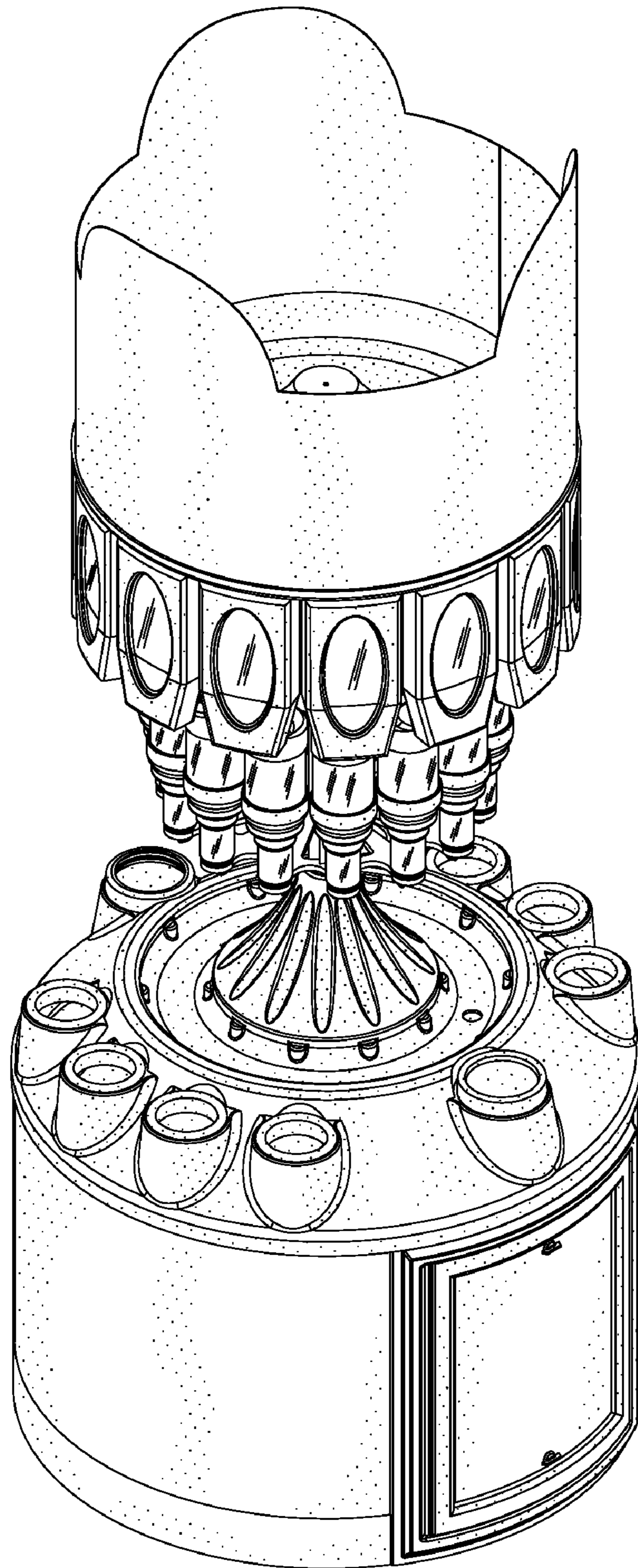


FIG. 1

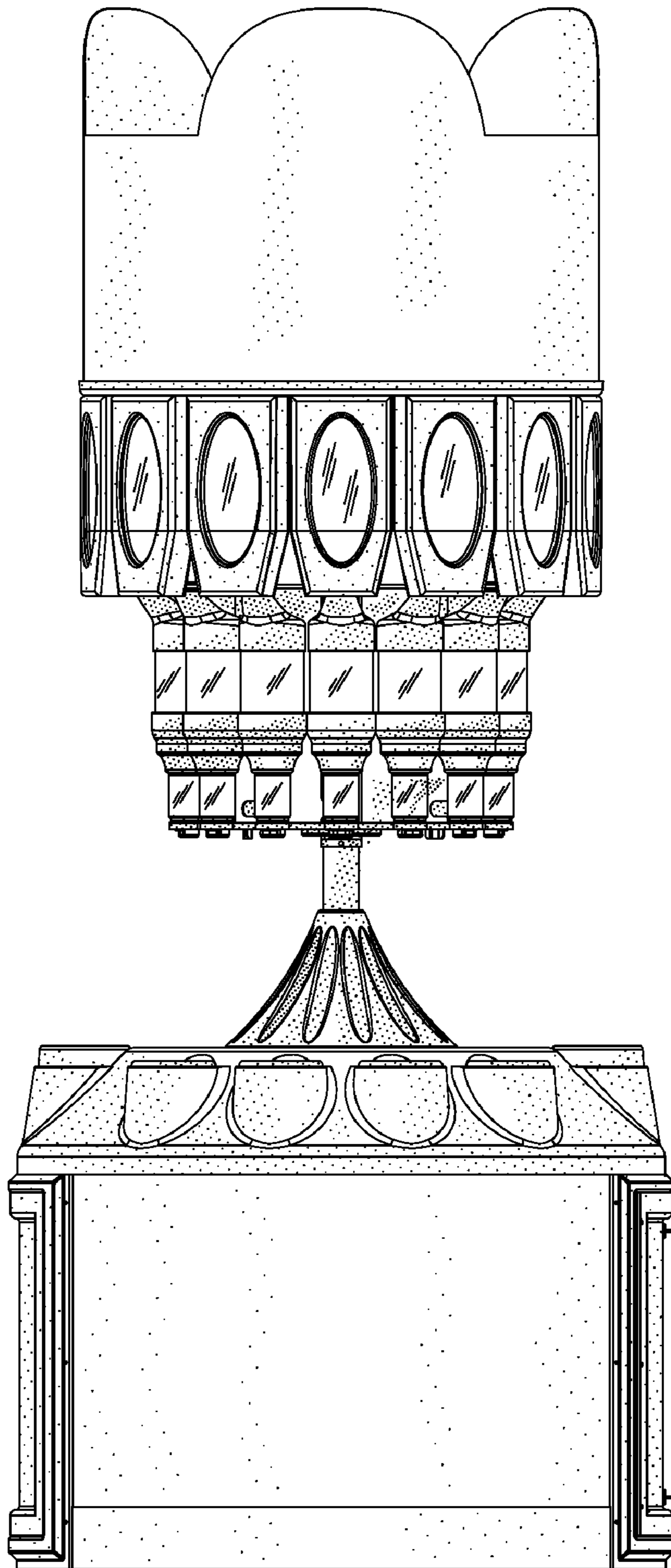


FIG. 2

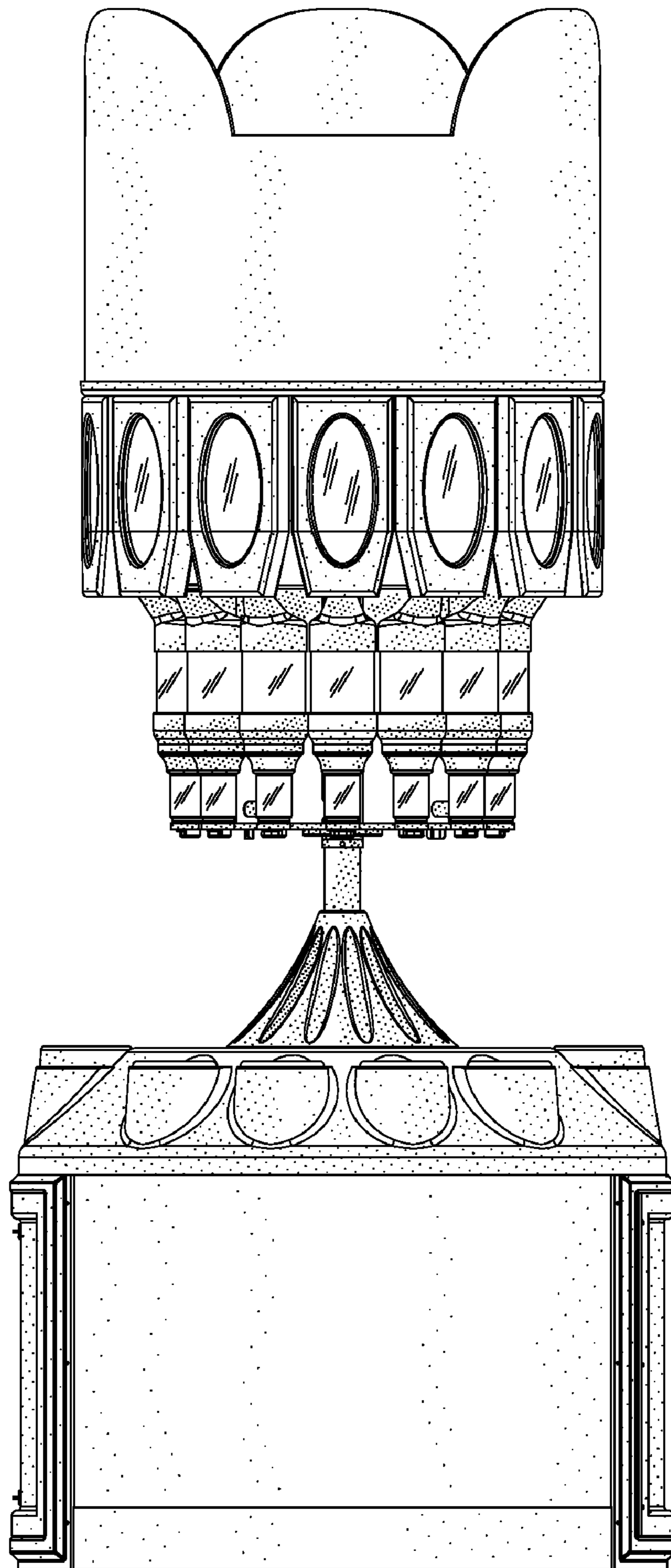


FIG. 3

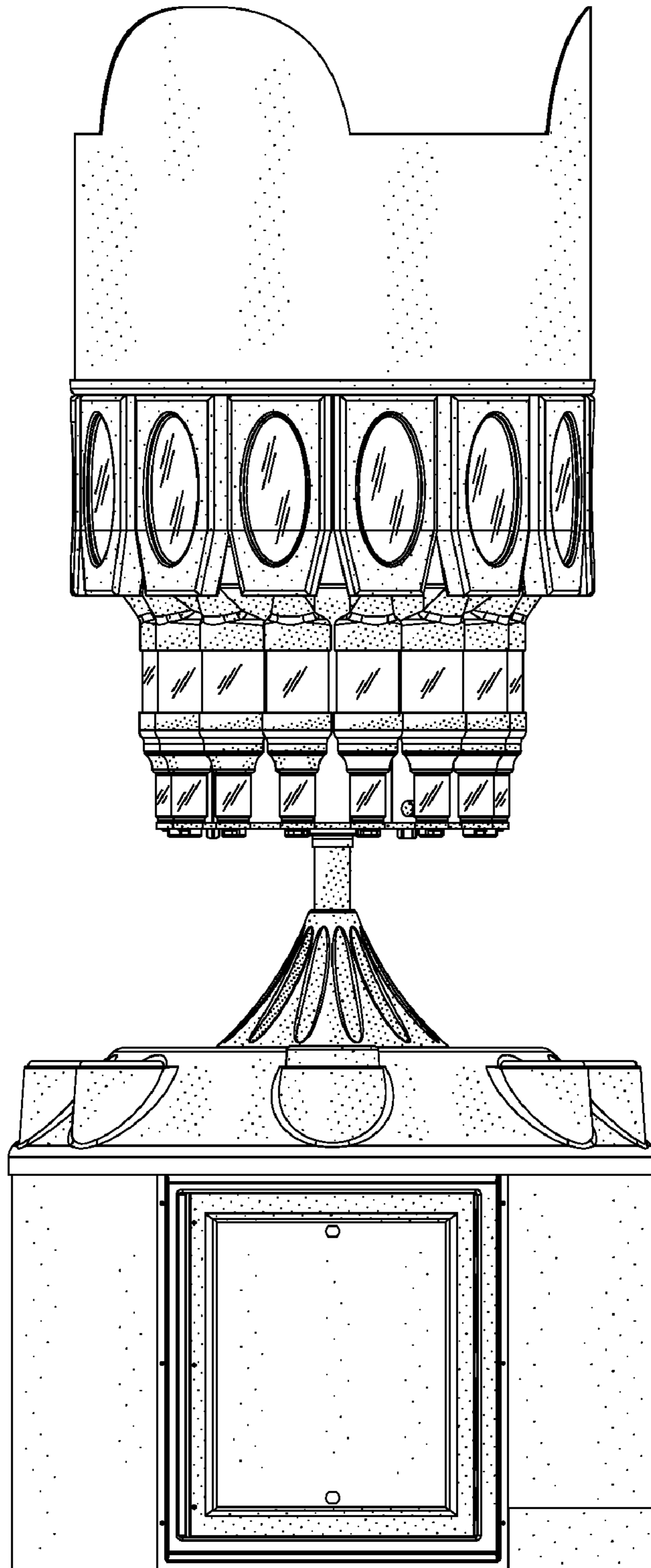


FIG. 4

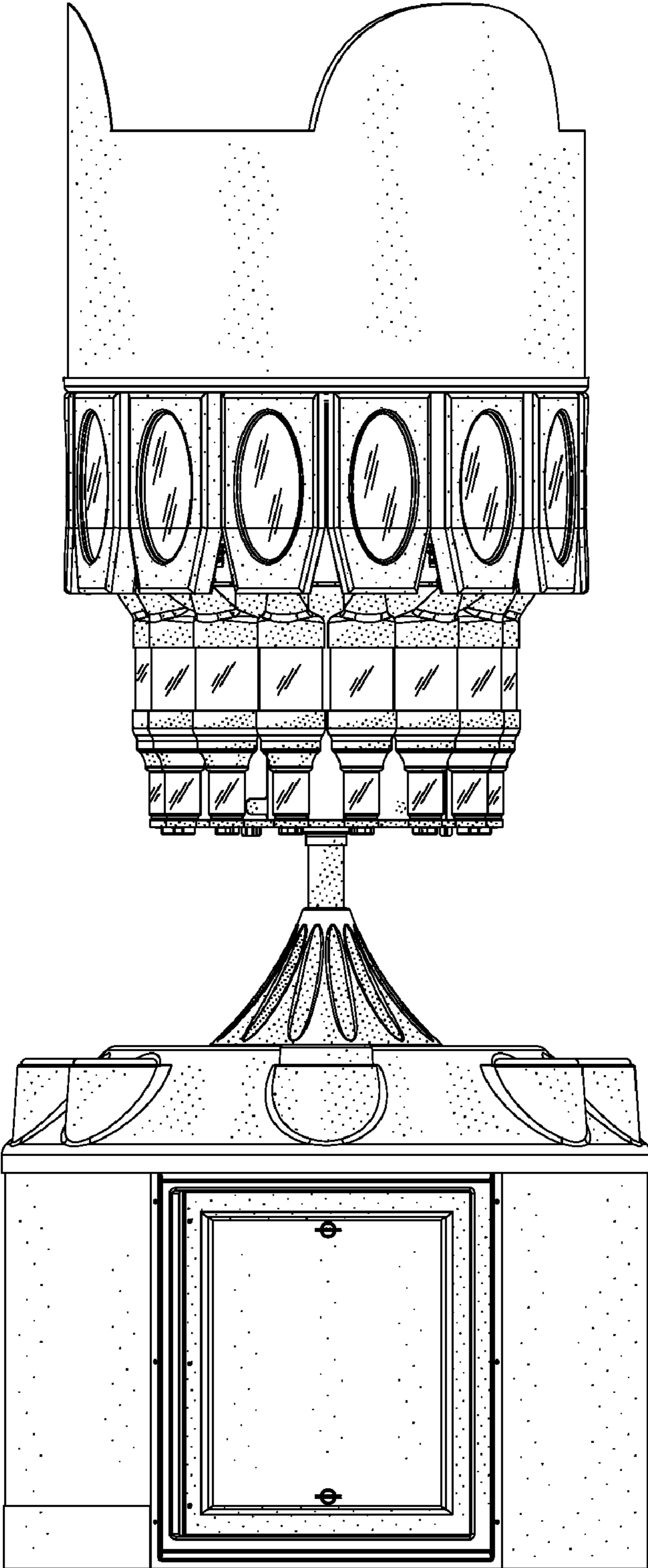


FIG. 5

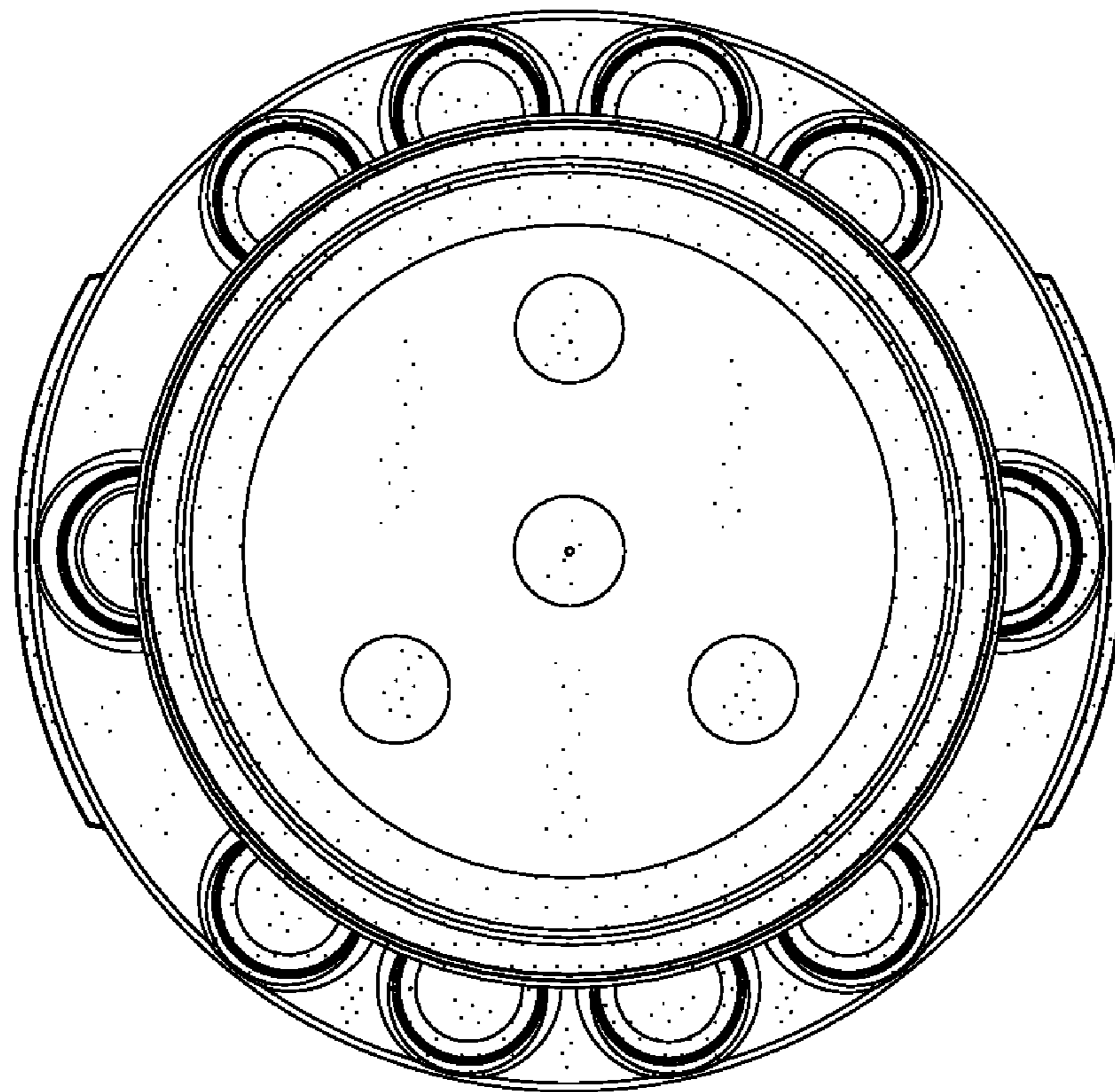


FIG. 6