



US00D581213S

(12) **United States Design Patent**
Green et al.

(10) **Patent No.:** **US D581,213 S**
(45) **Date of Patent:** **** Nov. 25, 2008**

(54) **PORTION OF AN APPLIANCE**

(75) Inventors: **Daniel Hartley Green**, Nashville, TN (US); **Vittorio Cascianelli**, Anderson, SC (US)

(73) Assignee: **Electrolux Home Products, Inc.**, Cleveland, OH (US)

(**) Term: **14 Years**

(21) Appl. No.: **29/297,576**

(22) Filed: **Nov. 14, 2007**

(51) **LOC (8) Cl.** **07-02**

(52) **U.S. Cl.** **D7/405**

(58) **Field of Classification Search** D7/339-341, D7/346-349, 402, 405-407; 126/21 A, 21 R, 126/39 B, 39 R, 273 A; 219/391-394
See application file for complete search history.

(56) **References Cited**

U.S. PATENT DOCUMENTS

- 6,050,176 A * 4/2000 Schultheis et al. 126/39 R
- 6,263,869 B1 * 7/2001 Abernethy 126/39 B
- D462,866 S * 9/2002 Resuello et al. D7/346
- D482,931 S * 12/2003 Staebler et al. D7/407
- D506,637 S * 6/2005 Tanaka D7/346
- D508,366 S * 8/2005 Wilsdorf D7/346

- D509,095 S * 9/2005 Grutzke et al. D7/346
- D509,988 S * 9/2005 Grutzke et al. D7/346
- D511,641 S * 11/2005 Kim D7/346
- D511,927 S * 11/2005 Grutzke et al. D7/346

* cited by examiner

Primary Examiner—Robert A. Delehanty

Assistant Examiner—Mark Cavanna

(74) *Attorney, Agent, or Firm*—Banner & Witcoff, Ltd.

(57) **CLAIM**

The ornamental design for a portion of an appliance, as shown and described.

DESCRIPTION

FIG. 1 is a front perspective view of a portion of an appliance showing our new design;

FIG. 2 is a front view thereof;

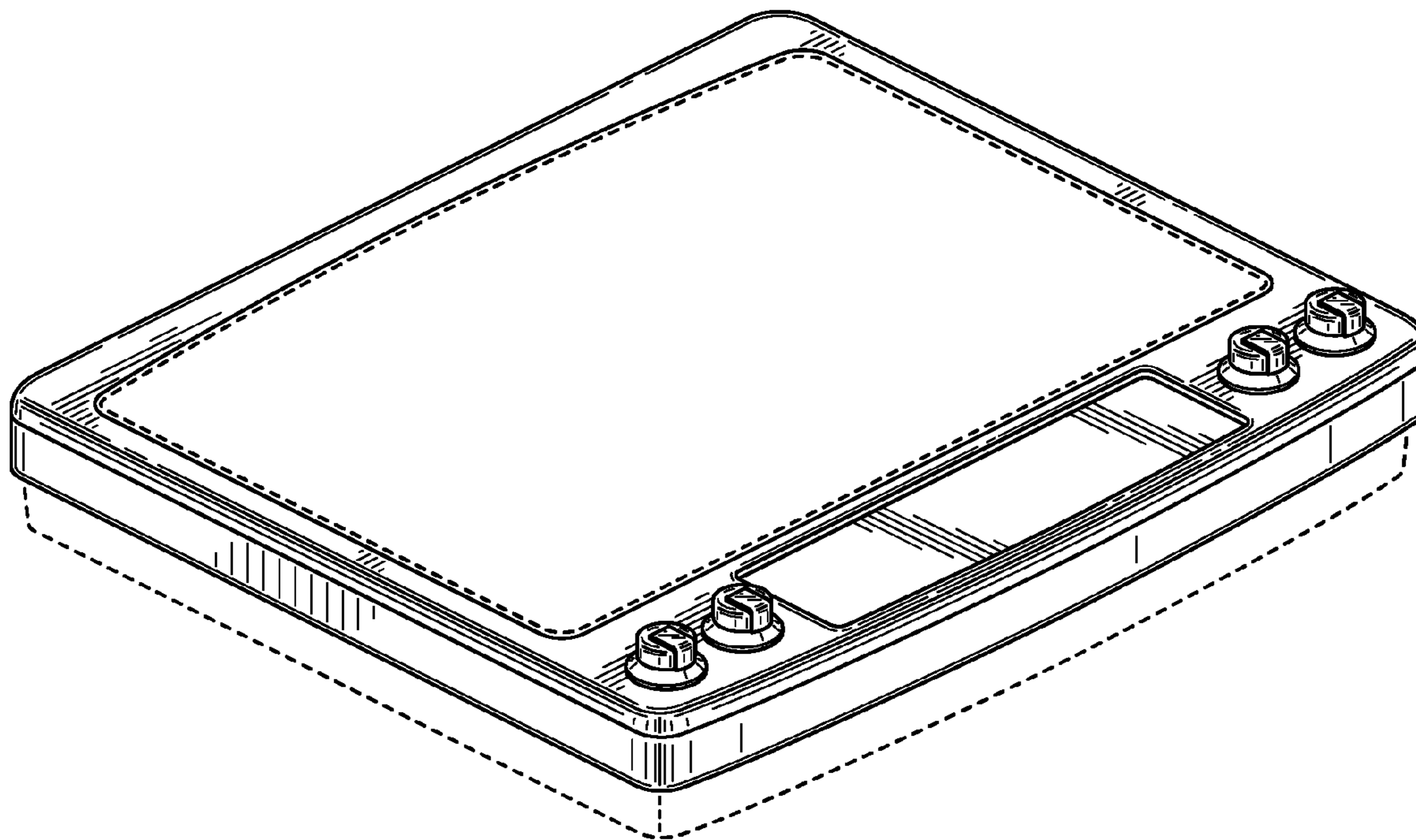
FIG. 3 is a right side view thereof;

FIG. 4 is a left side view thereof; and,

FIG. 5 is a top view thereof.

The unshown bottom of the portion of an appliance forms no part of the claimed design. The broken line showing of various regions, including the unshaded areas therein, is for illustrative purposes only and forms no part of the claimed design.

1 Claim, 3 Drawing Sheets



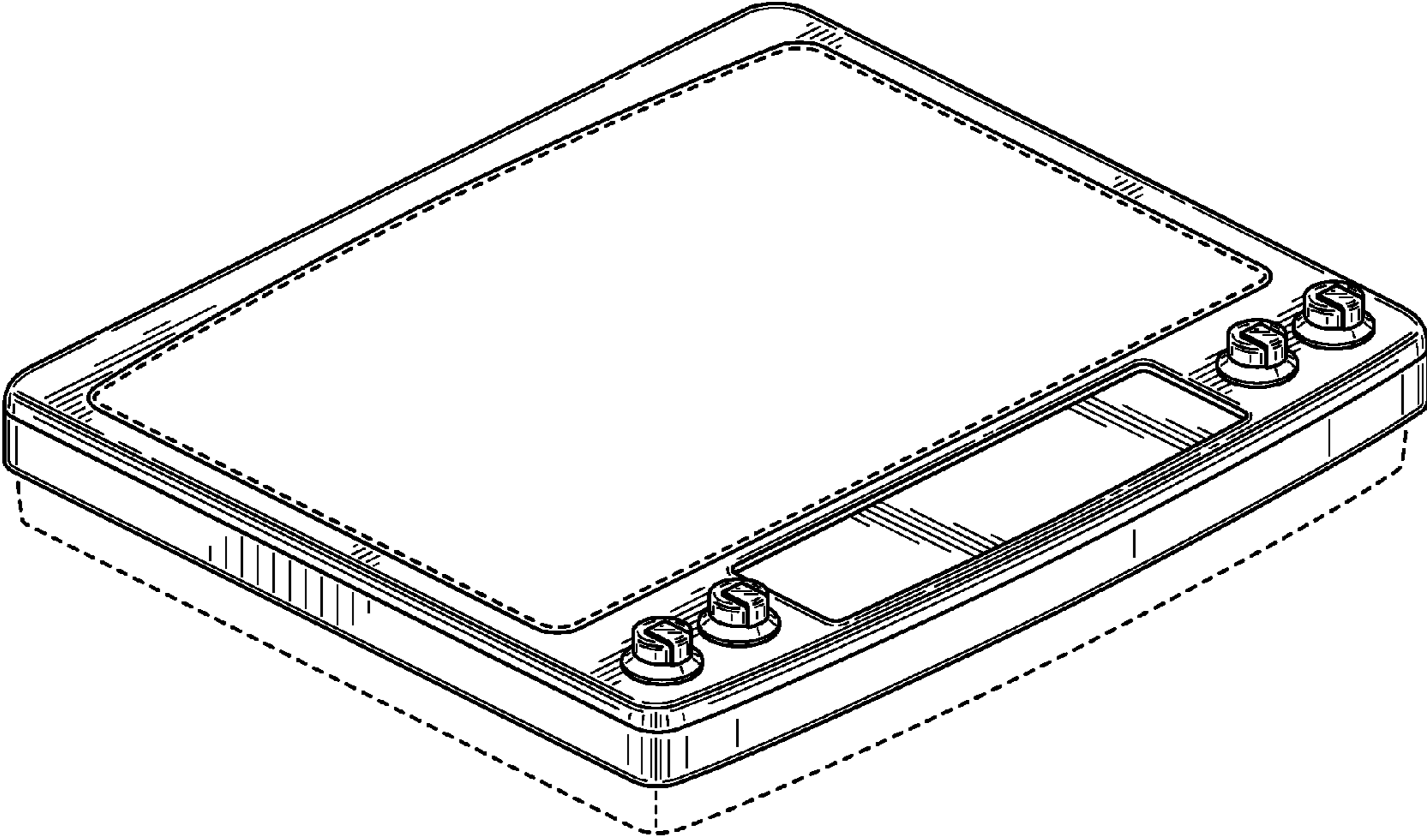


FIG. 1

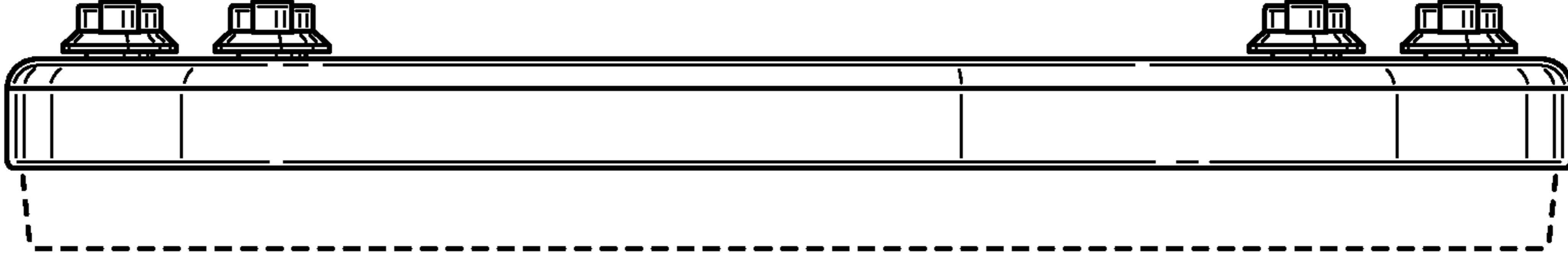


FIG. 2

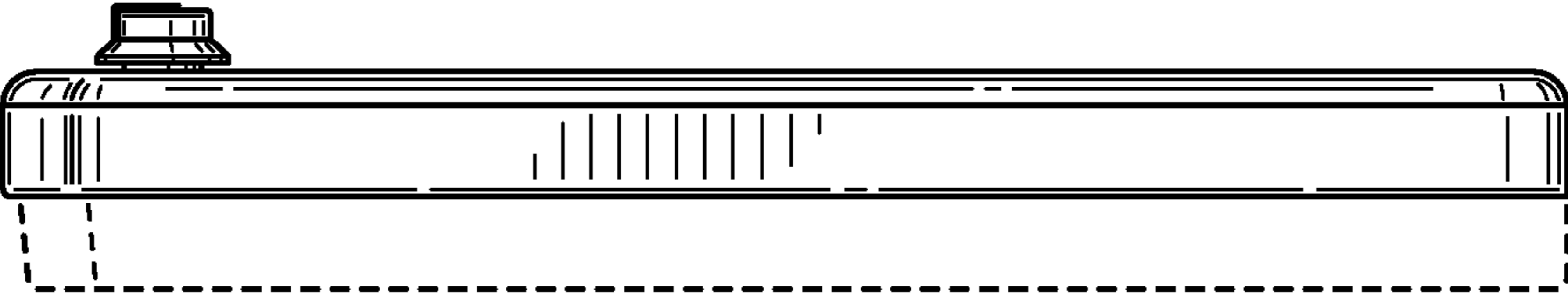


FIG. 3

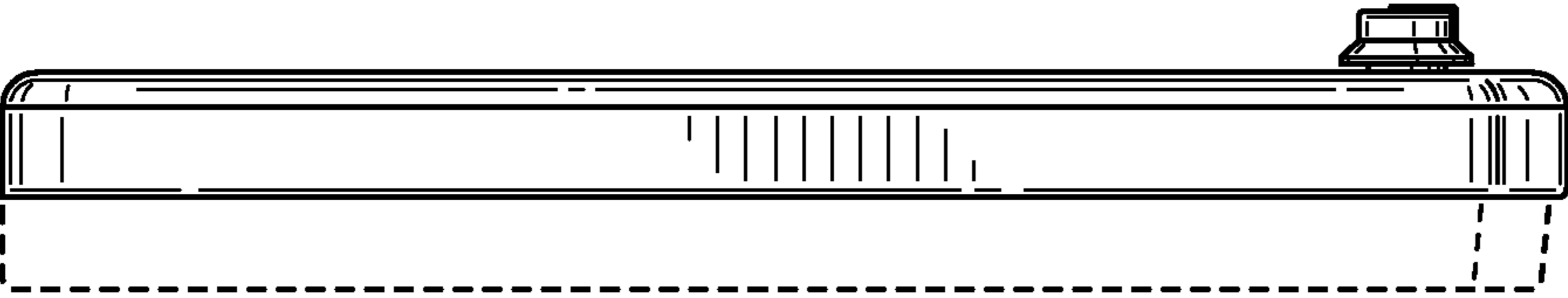


FIG. 4

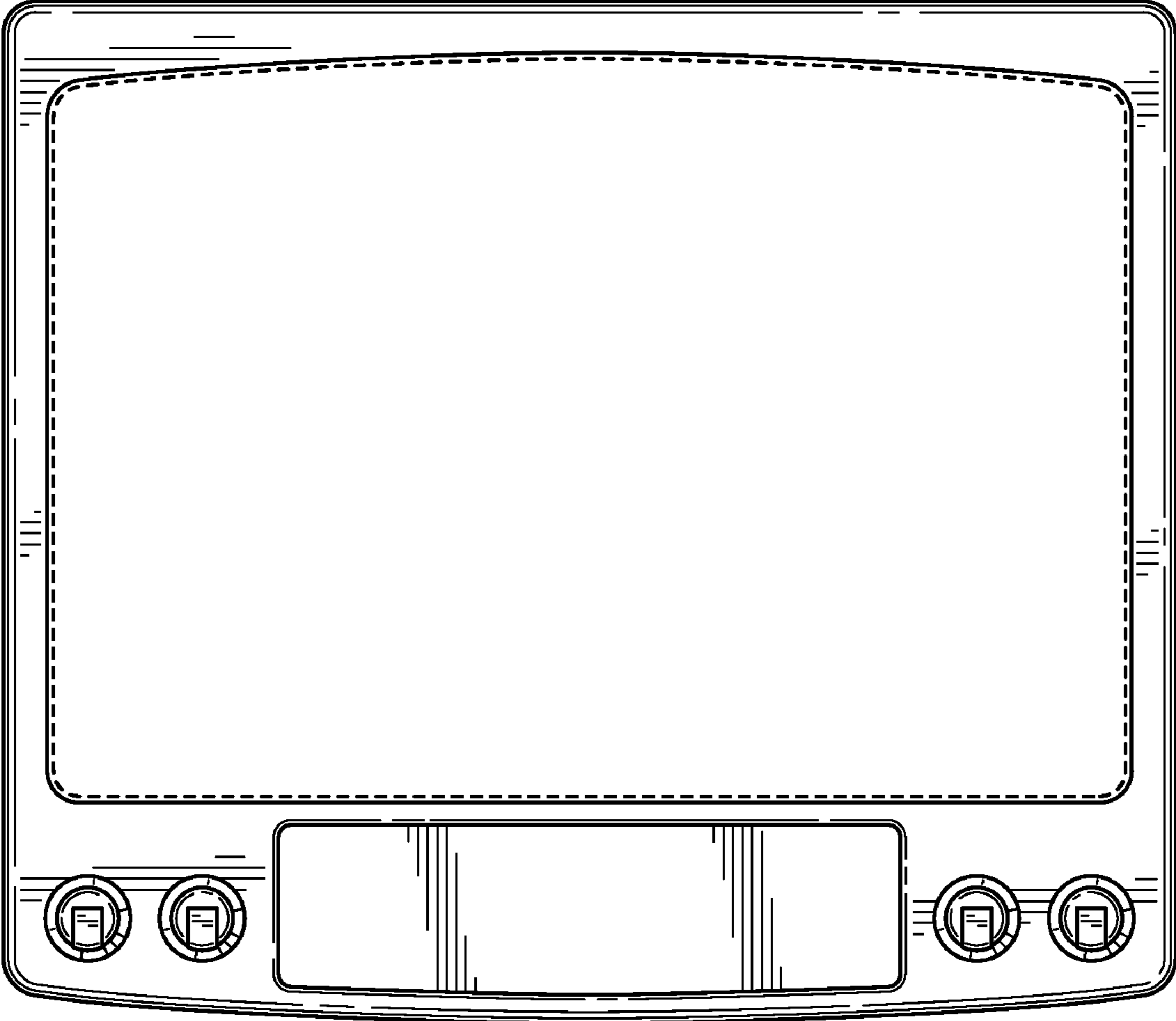


FIG. 5