



US00D581212S

(12) **United States Design Patent**
Macler

(10) **Patent No.:** **US D581,212 S**
(45) **Date of Patent:** **** Nov. 25, 2008**

(54) **DUAL SPIKE INSERT FOR DISPENSING LIQUID FROM A BAG**

(75) Inventor: **Jeffrey Macler**, Tecumseh, MO (US)

(73) Assignee: **AMMM Patent Holdings, LLC**, Tecumseh, MO (US)

(**) Term: **14 Years**

(21) Appl. No.: **29/281,838**

(22) Filed: **Jul. 3, 2007**

Related U.S. Application Data

(63) Continuation-in-part of application No. 11/691,974, filed on Mar. 27, 2007.

(51) **LOC (8) Cl.** **07-01**

(52) **U.S. Cl.** **D7/398; D7/397**

(58) **Field of Classification Search** D7/398, D7/397, 387, 313, 300, 308; D9/434, 435, D9/440, 447; D24/112; D23/238, 255; 222/185.1, 222/566; 99/275; 604/411
See application file for complete search history.

(56) **References Cited**

U.S. PATENT DOCUMENTS

3,092,106	A	6/1963	Butler	
3,797,521	A *	3/1974	King	137/858
D268,698	S *	4/1983	Knute	D24/112
4,793,514	A	12/1988	Sheets	
5,358,501	A	10/1994	Meyer	
D353,197	S *	12/1994	Hawks	D24/135
D357,733	S *	4/1995	Matkovich	D24/112
D372,426	S *	8/1996	Garnett	D9/447
D378,406	S *	3/1997	Kugler	D24/114
D403,398	S *	12/1998	Guala et al.	D24/112
D423,354	S *	4/2000	Lin	D9/447
D458,843	S *	6/2002	Jensen	D9/440
6,484,440	B2 *	11/2002	Brown	47/57.5
D485,525	S *	1/2004	Dvorak	D12/215
D536,925	S *	2/2007	Macler et al.	D7/398

OTHER PUBLICATIONS

International Search Report, International Patent Application No. PCT/US07/72766, mailed on Apr. 11, 2008.

* cited by examiner

Primary Examiner—Gary D. Watson

Assistant Examiner—Cynthia Underwood

(74) *Attorney, Agent, or Firm*—Lewis, Rice & Fingersh, L.C.

(57) **CLAIM**

The ornamental design for a dual spike insert for dispensing liquid from a bag, as shown and described.

DESCRIPTION

FIG. 1 provides a perspective view of a dual spike insert for dispensing liquid from a bag.

FIG. 2 provides a top view of a dual spike insert for dispensing liquid from a bag.

FIG. 3 provides a bottom view of a dual spike insert for dispensing liquid from a bag.

FIG. 4 provides a front view of a dual spike insert for dispensing liquid from a bag.

FIG. 5 provides a rear view of a dual spike insert for dispensing liquid from a bag.

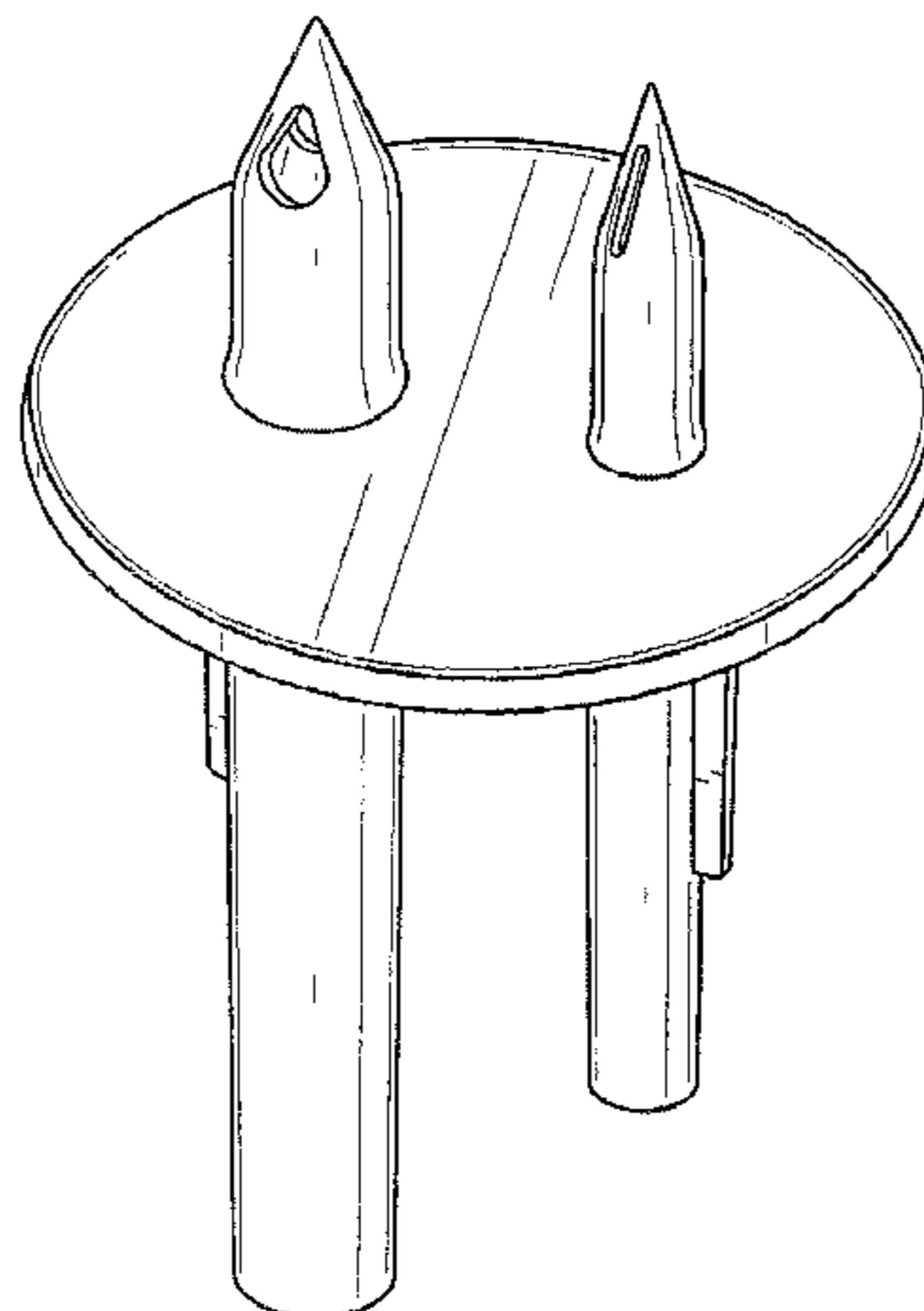
FIG. 6 provides a right side view of a dual spike insert for dispensing liquid from a bag.

FIG. 7 provides a left side view of a dual spike insert for dispensing liquid from a bag; and,

FIG. 8 provides a perspective view of a dual spike insert for dispensing liquid from a bag as it would be inserted into a bag supporting apparatus.

The broken lines showing a bag supporting apparatus used in conjunction with the dual spike insert for dispensing liquid from a bag are for illustrative purposes only and form no part of the invention. The short broken lines projecting from the dual spike insert and down into the bag supporting apparatus are used to show the direction of placement and form no part of the claimed design.

1 Claim, 7 Drawing Sheets



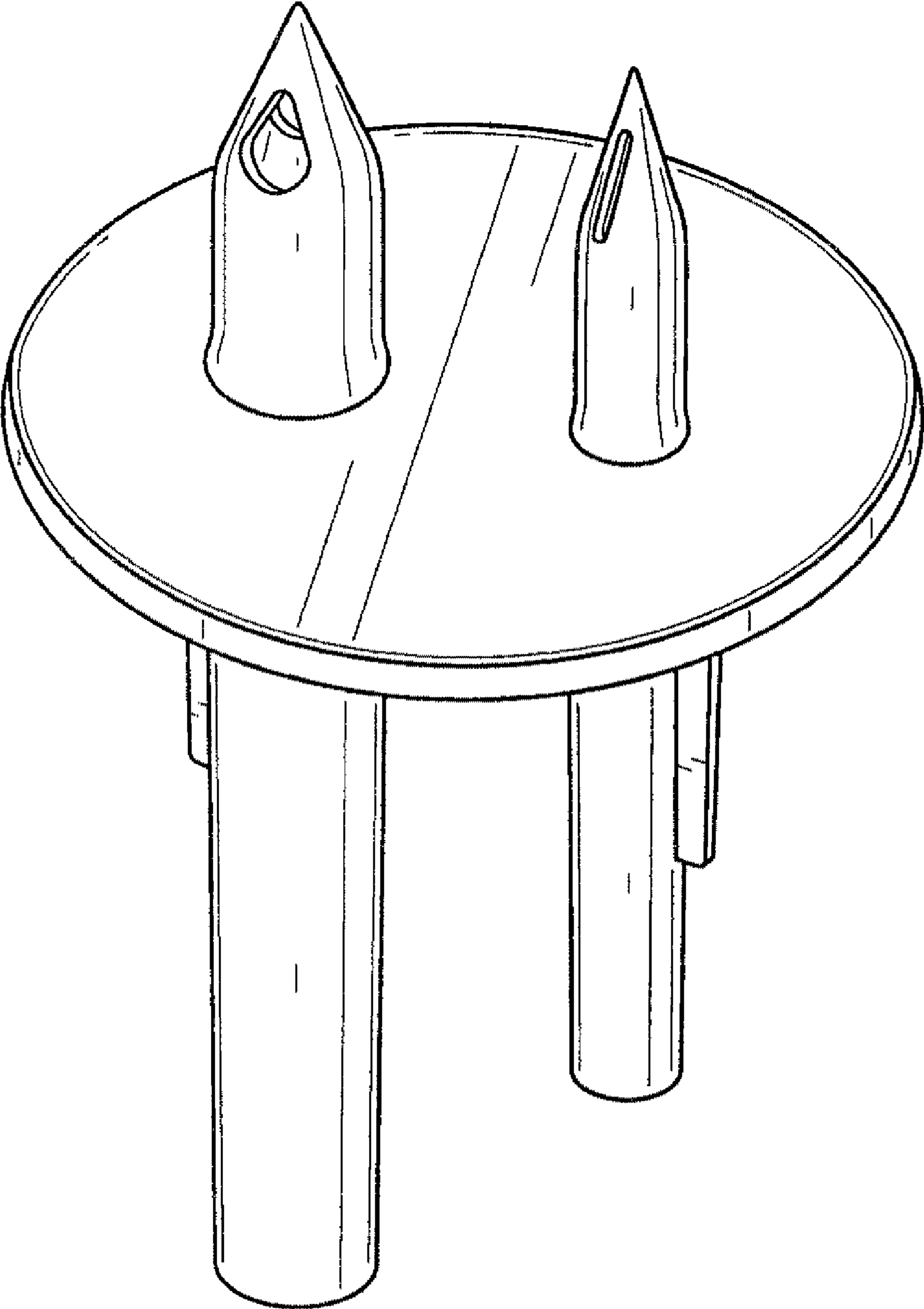


FIG. 1

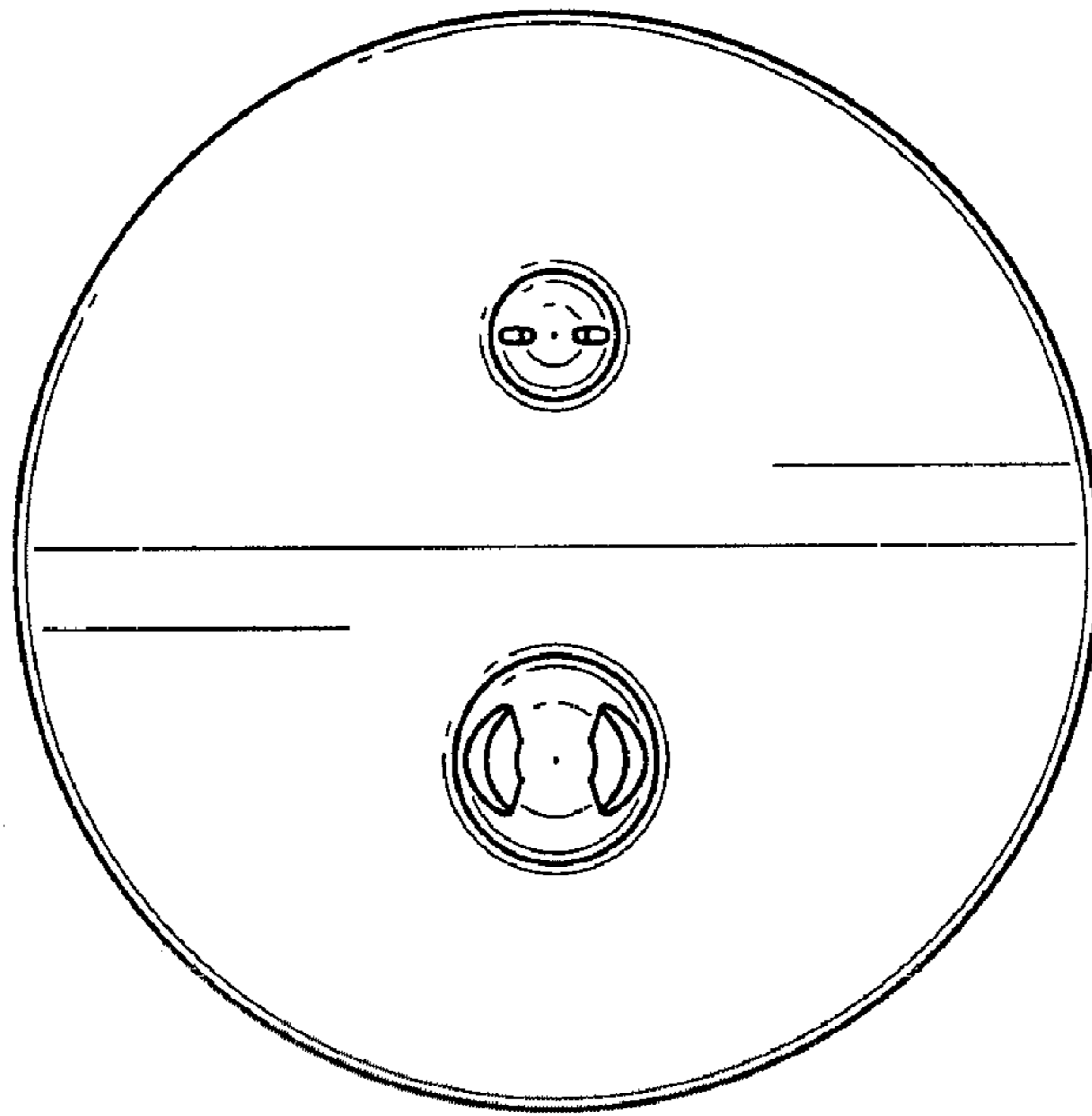


FIG. 2

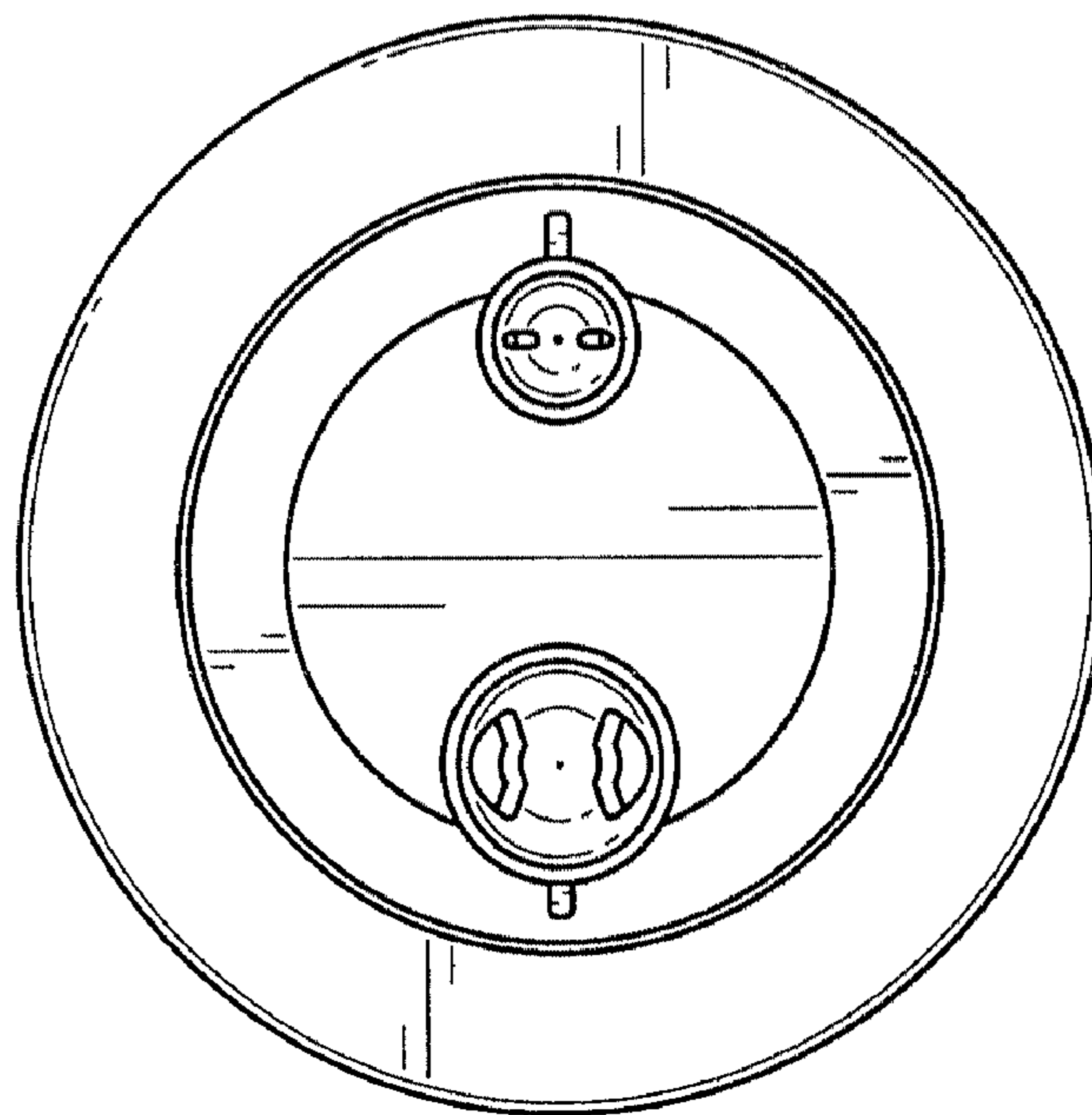


FIG. 3

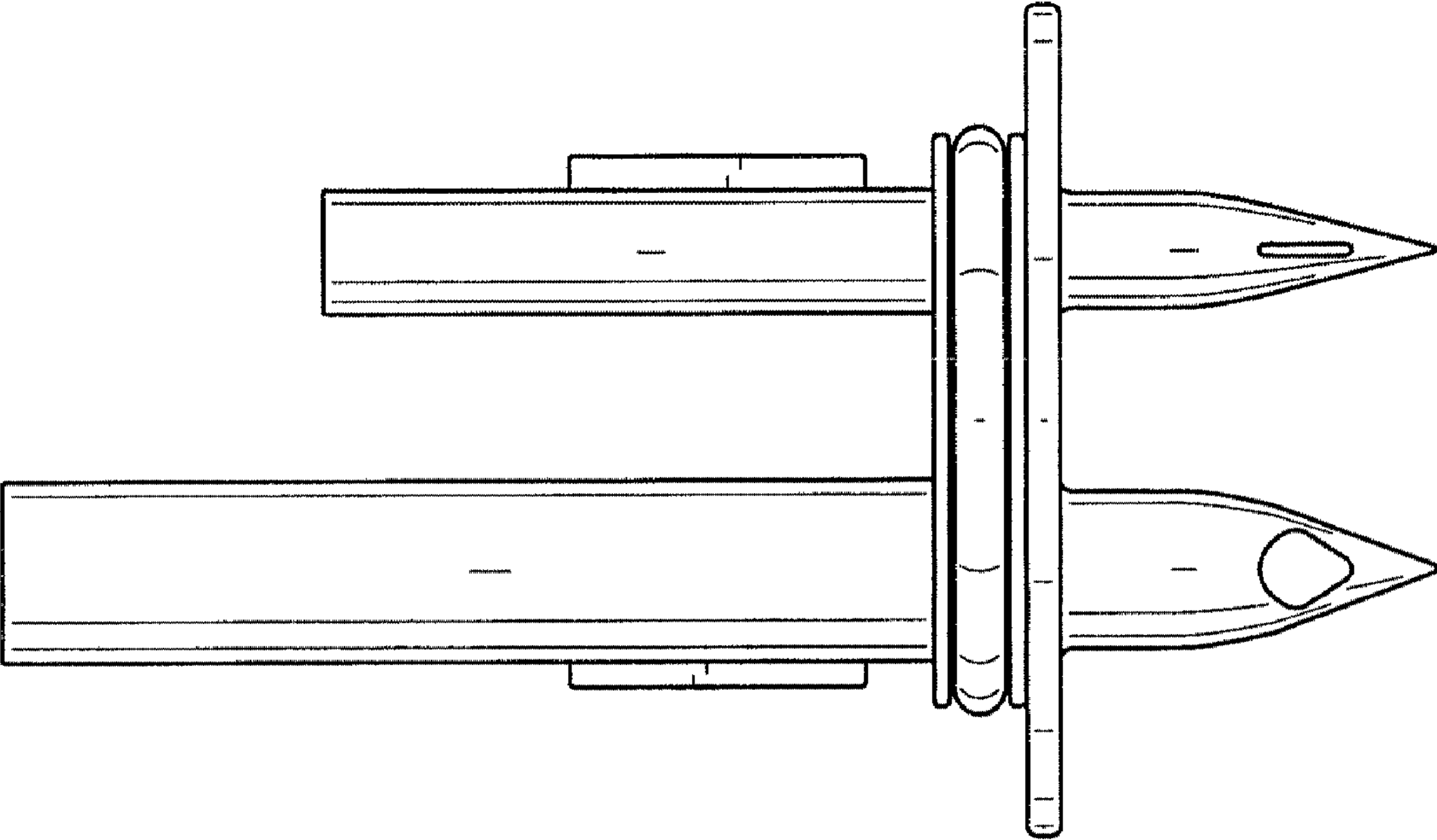


FIG. 4

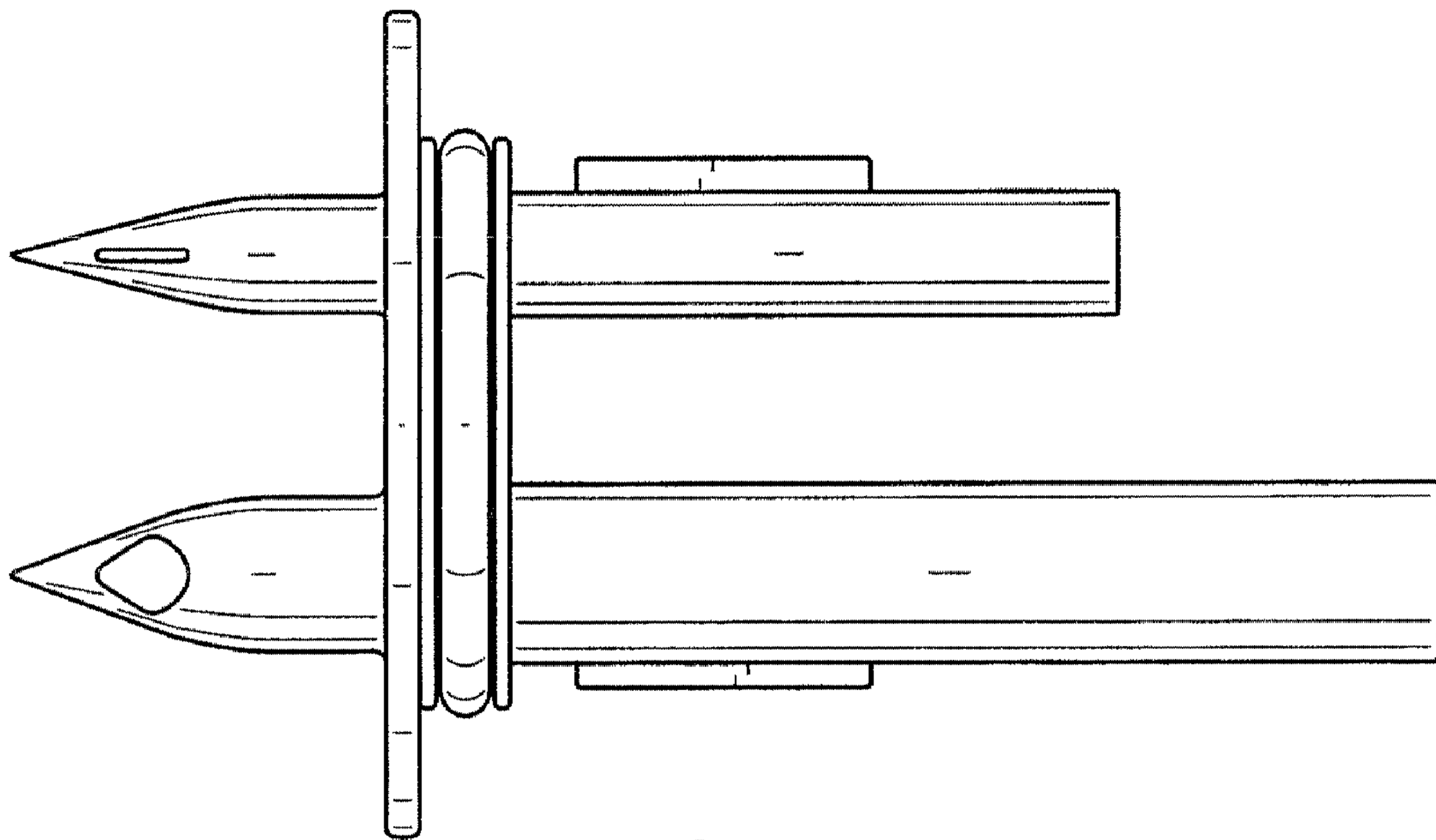


FIG. 5

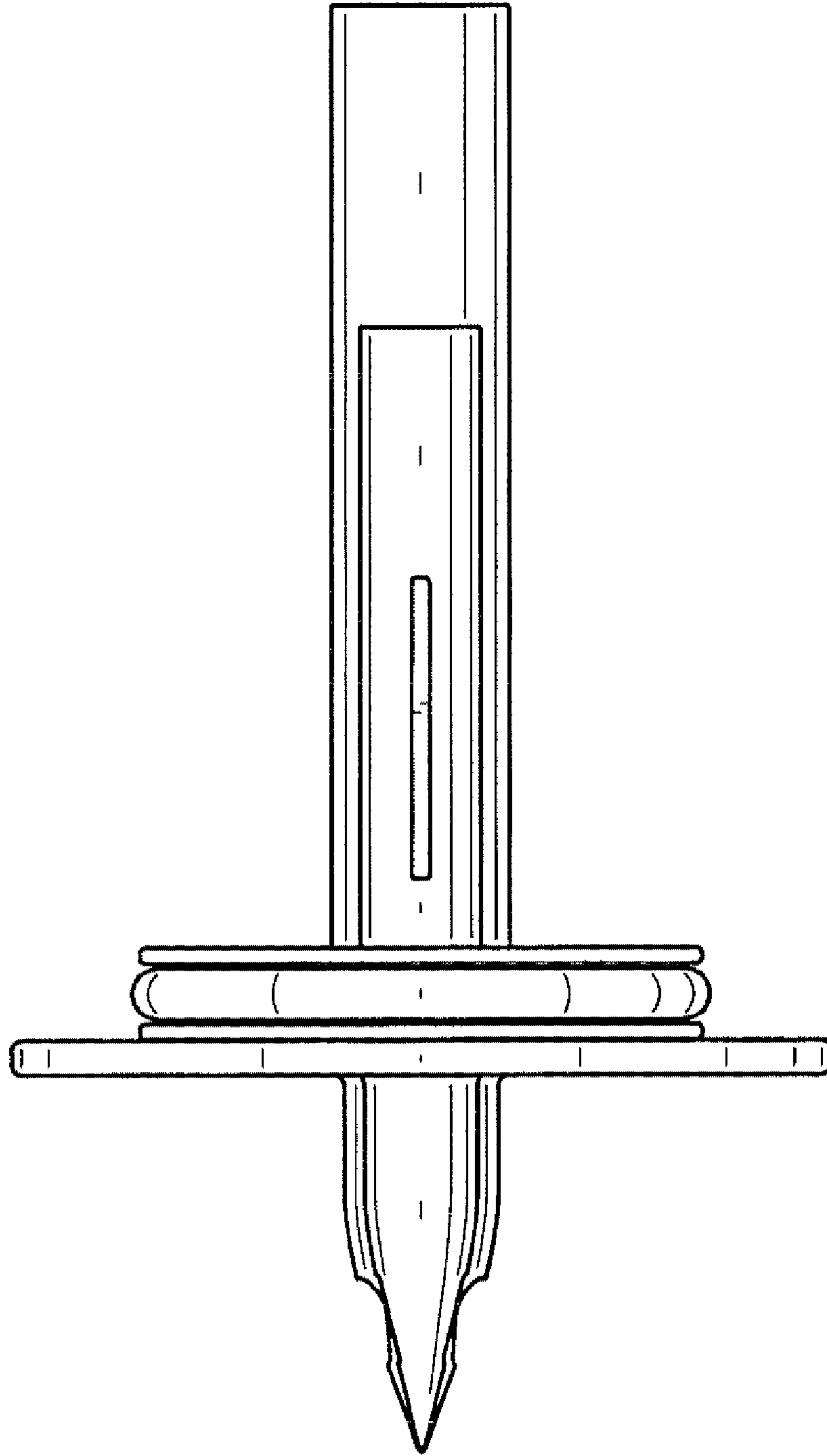


FIG. 6

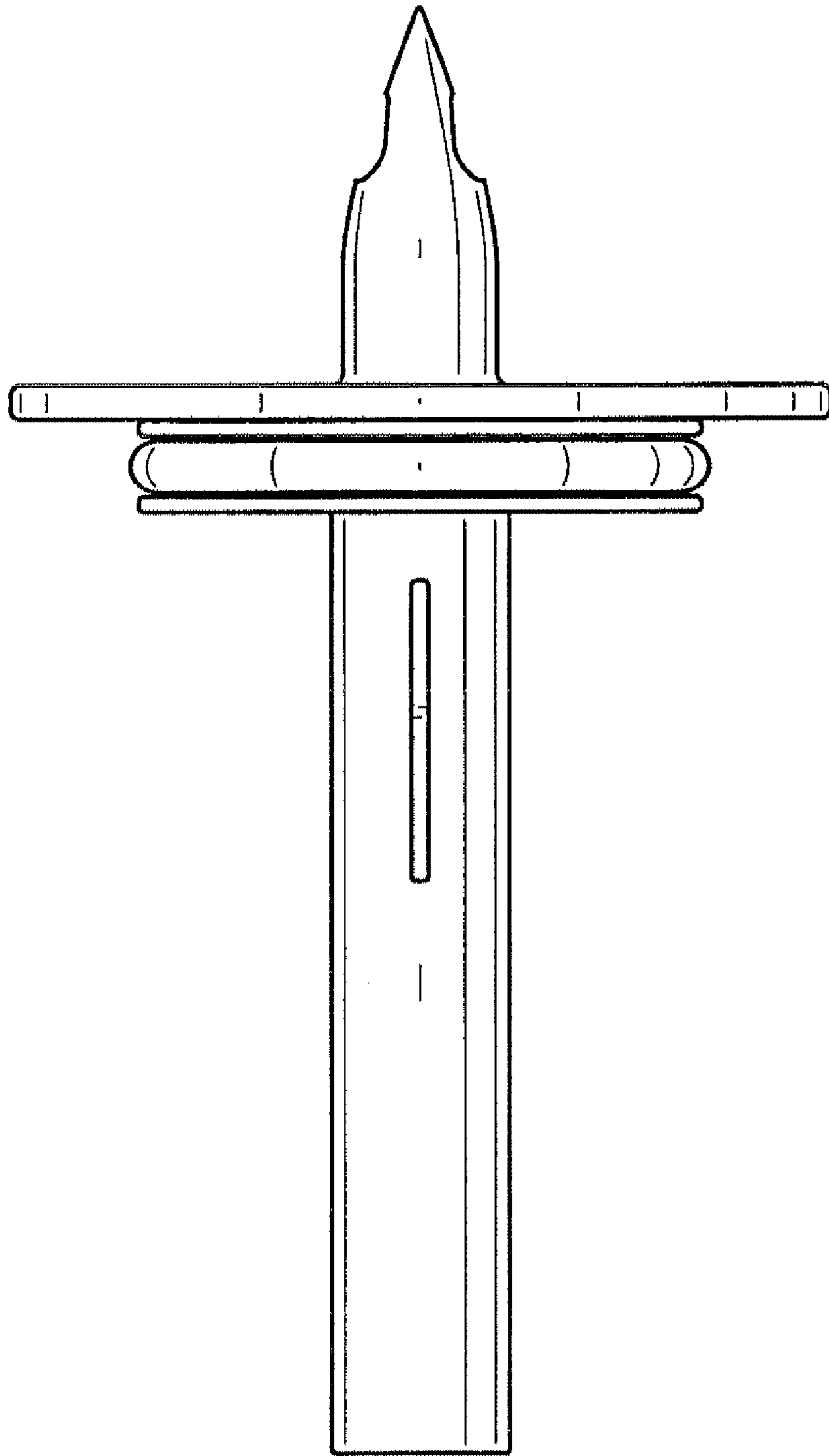


FIG. 7

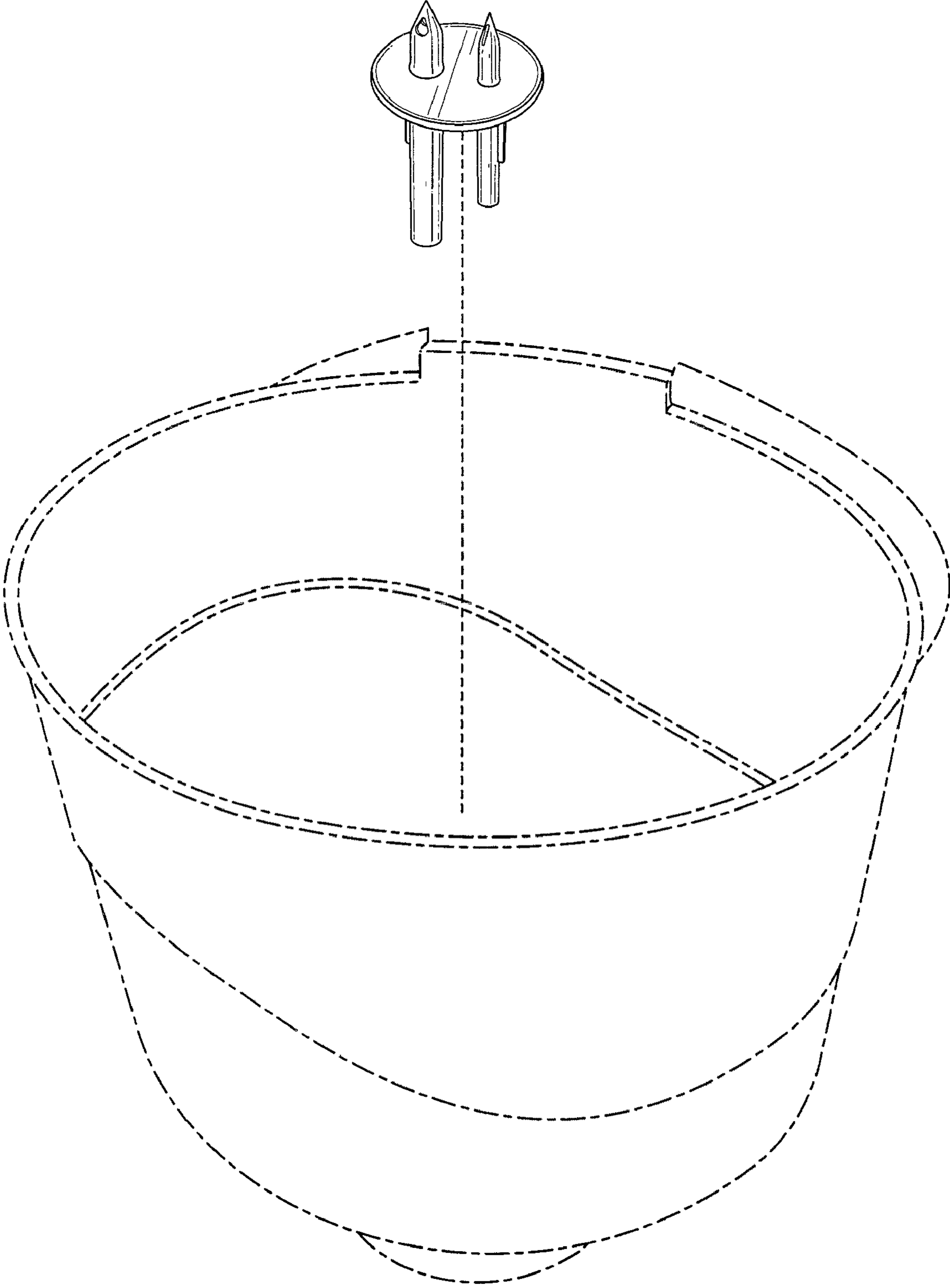


FIG. 8