



US00D581210S

(12) **United States Design Patent**  
**Ramian**

(10) **Patent No.:** **US D581,210 S**

(45) **Date of Patent:** **\*\* Nov. 25, 2008**

(54) **DECORATIVE RING FOR NUT AND CANDY CUP**

(76) Inventor: **Lenora R. Ramian**, 7025 Elaine Ave.,  
Portage, IN (US) 46368

(\*\*) Term: **14 Years**

(21) Appl. No.: **29/291,393**

(22) Filed: **Aug. 27, 2007**

(51) **LOC (8) Cl.** ..... **07-01**

(52) **U.S. Cl.** ..... **D7/396.1; D7/566; D7/574;**  
D7/564

(58) **Field of Classification Search** ..... D7/500,  
D7/506, 543, 544, 551.1, 564, 560, 566, 567,  
D7/574, 581, 594, 599, 604, 213, 387, 389,  
D7/392.1, 392, 396.1; D9/434, 441, 451;  
D24/127; D32/43; 220/376, 406, 694, 700  
See application file for complete search history.

(56) **References Cited**

**U.S. PATENT DOCUMENTS**

D184,234 S *	1/1959	Maccio	.....	D7/213
3,463,366 A *	8/1969	Spencer	.....	222/570
D221,245 S *	7/1971	Jordan	.....	D7/676
D342,597 S *	12/1993	Clark	.....	D2/898
6,026,739 A *	2/2000	Dernoga	.....	99/433
D435,391 S *	12/2000	Durst	.....	D7/354
D458,540 S *	6/2002	Clements et al.	.....	D9/516
D473,418 S *	4/2003	Burton et al.	.....	D7/354

D484,747 S *	1/2004	McMahon, III	.....	D7/566
D498,385 S *	11/2004	Durst	.....	D7/354
D515,453 S *	2/2006	Jacob	.....	D11/54
D524,099 S *	7/2006	Czebiniak	.....	D7/396.1
D556,823 S *	12/2007	Lombard	.....	D19/6
D560,095 S *	1/2008	Bodum	.....	D7/400
D561,538 S *	2/2008	Hall	.....	D7/566
2007/0173168 A1 *	7/2007	Kasprzak	.....	446/71

\* cited by examiner

*Primary Examiner*—Philip S Hyder

*Assistant Examiner*—Cynthia Underwood

(74) *Attorney, Agent, or Firm*—Clifford W. Browning; Krieg  
DeVault LLP

(57) **CLAIM**

The ornamental design for a decorative ring for nut and candy cup, as shown and described.

**DESCRIPTION**

FIG. 1 is a top perspective, showing my new design.

FIG. 2 is a top view of FIG. 1.

FIG. 3 is a bottom view of FIG. 1.

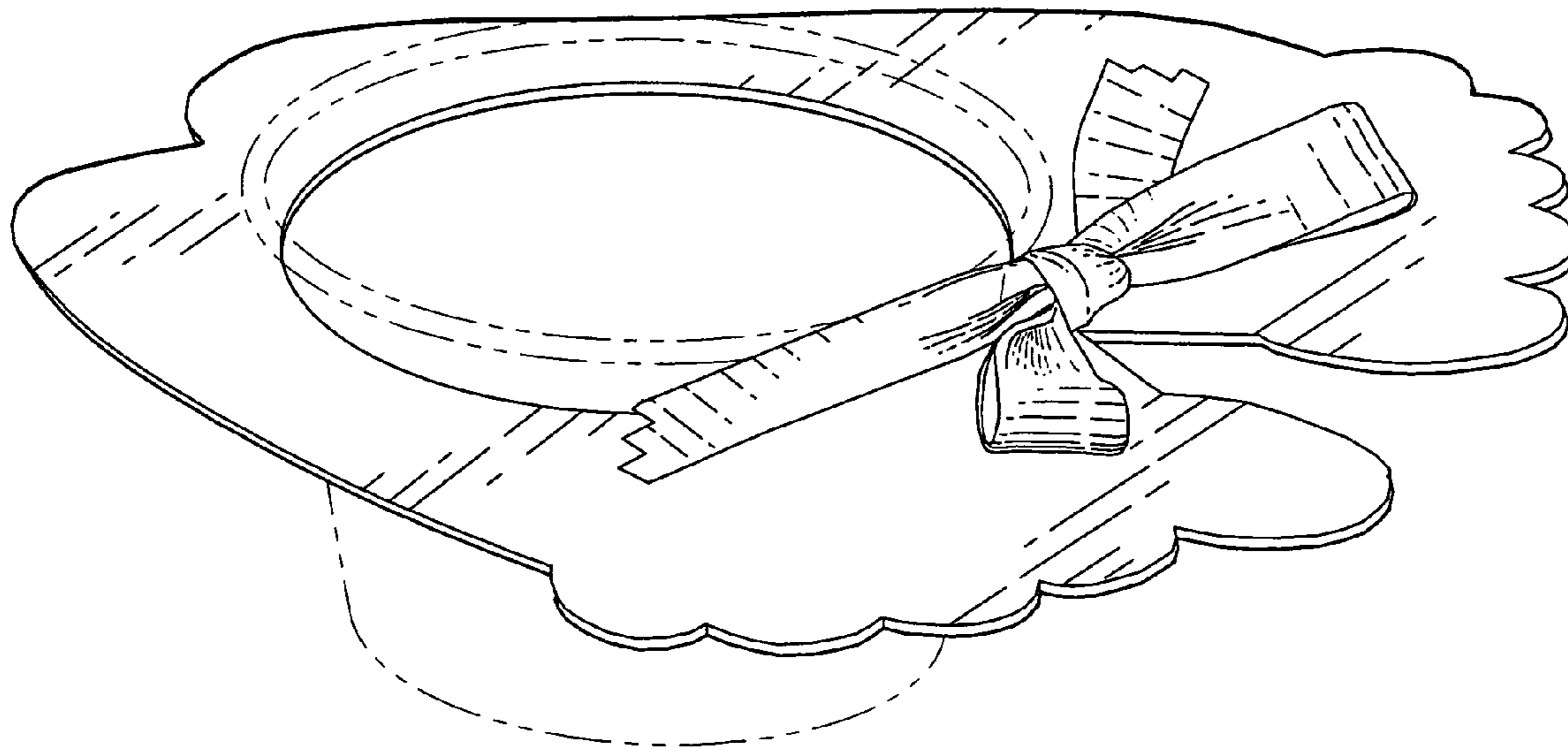
FIG. 4 is a right side view of FIG. 1.

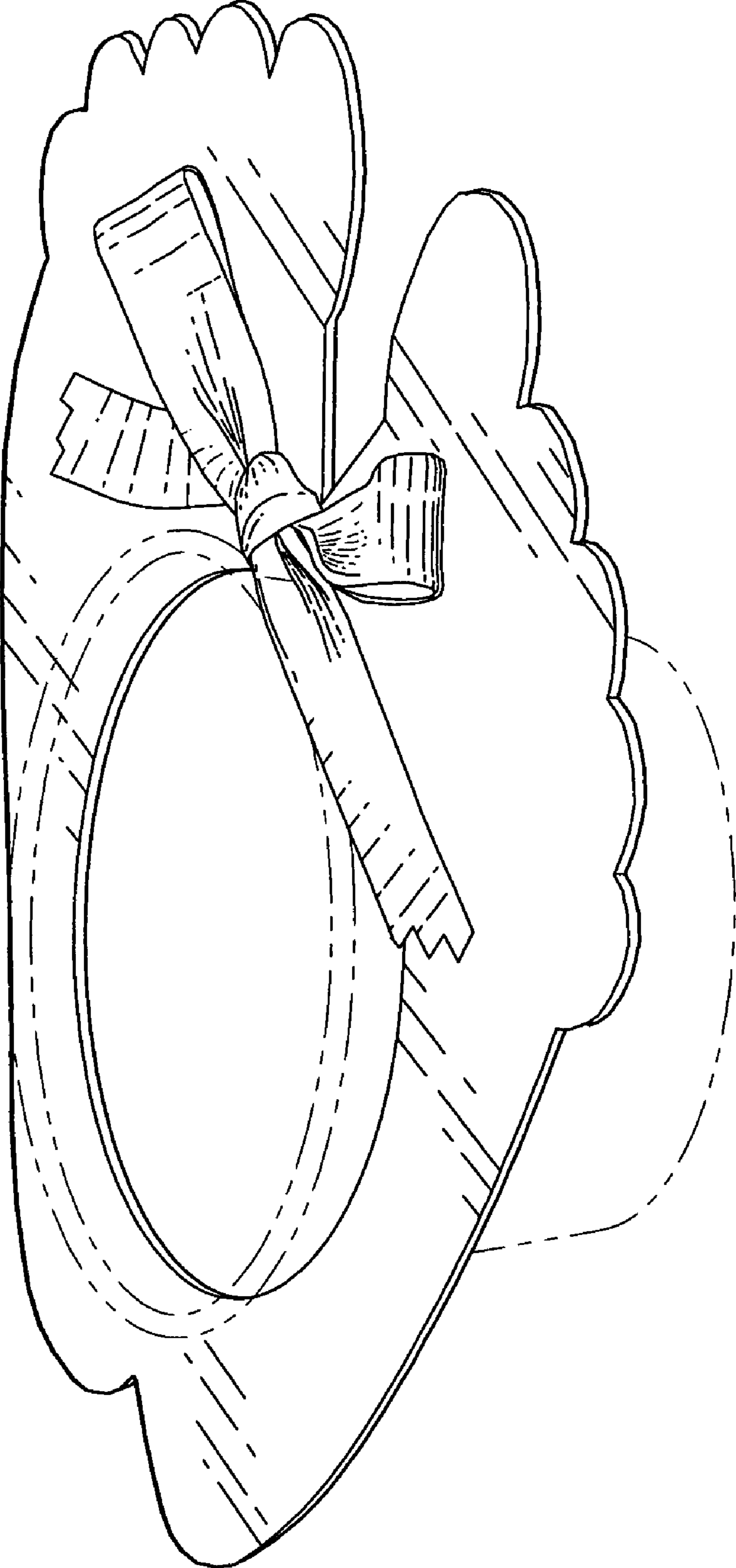
FIG. 5 is a left side view of FIG. 1.

FIG. 6 is a front view of FIG. 1; and,

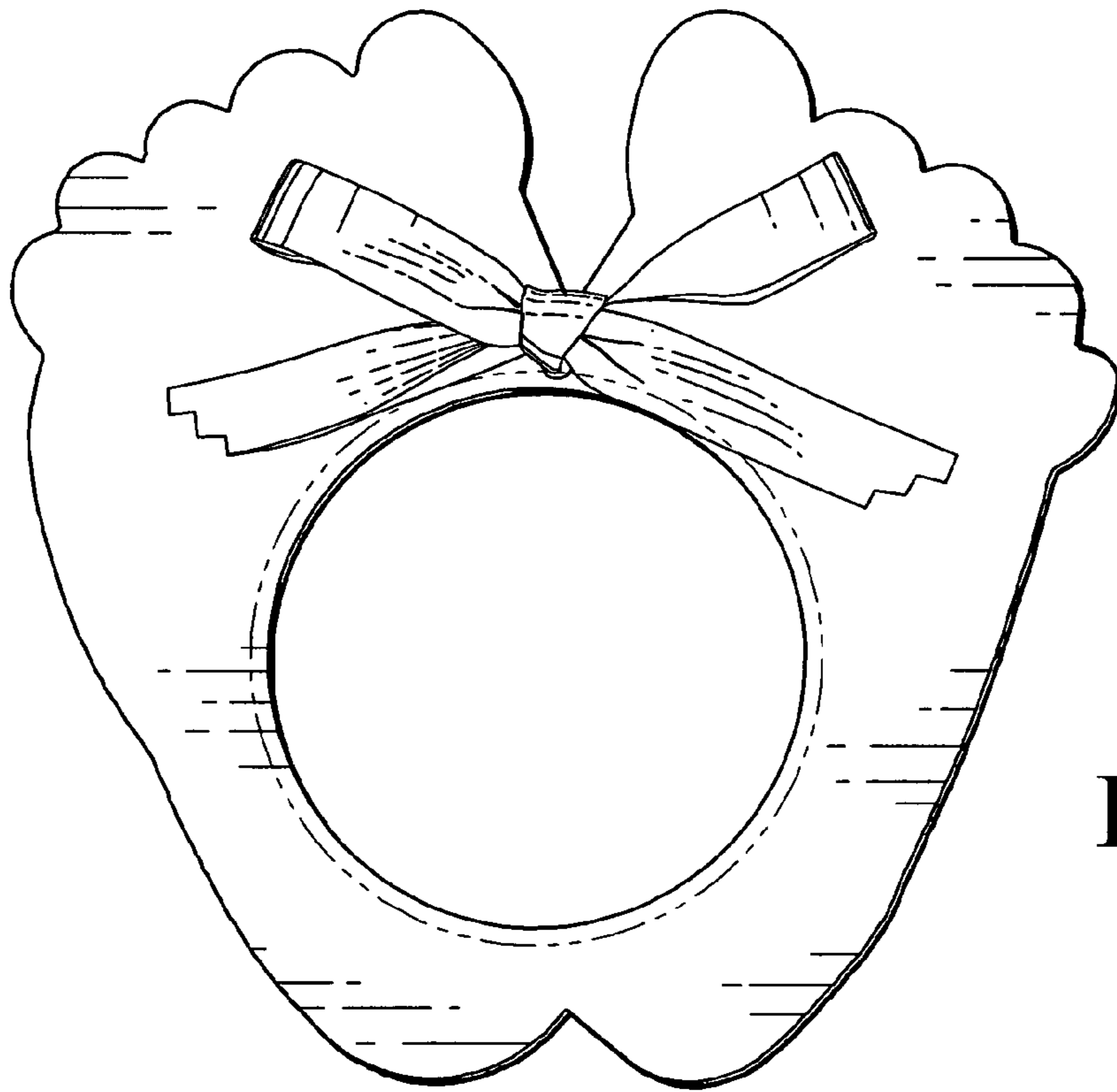
FIG. 7 is a rear view of FIG. 1.

**1 Claim, 4 Drawing Sheets**

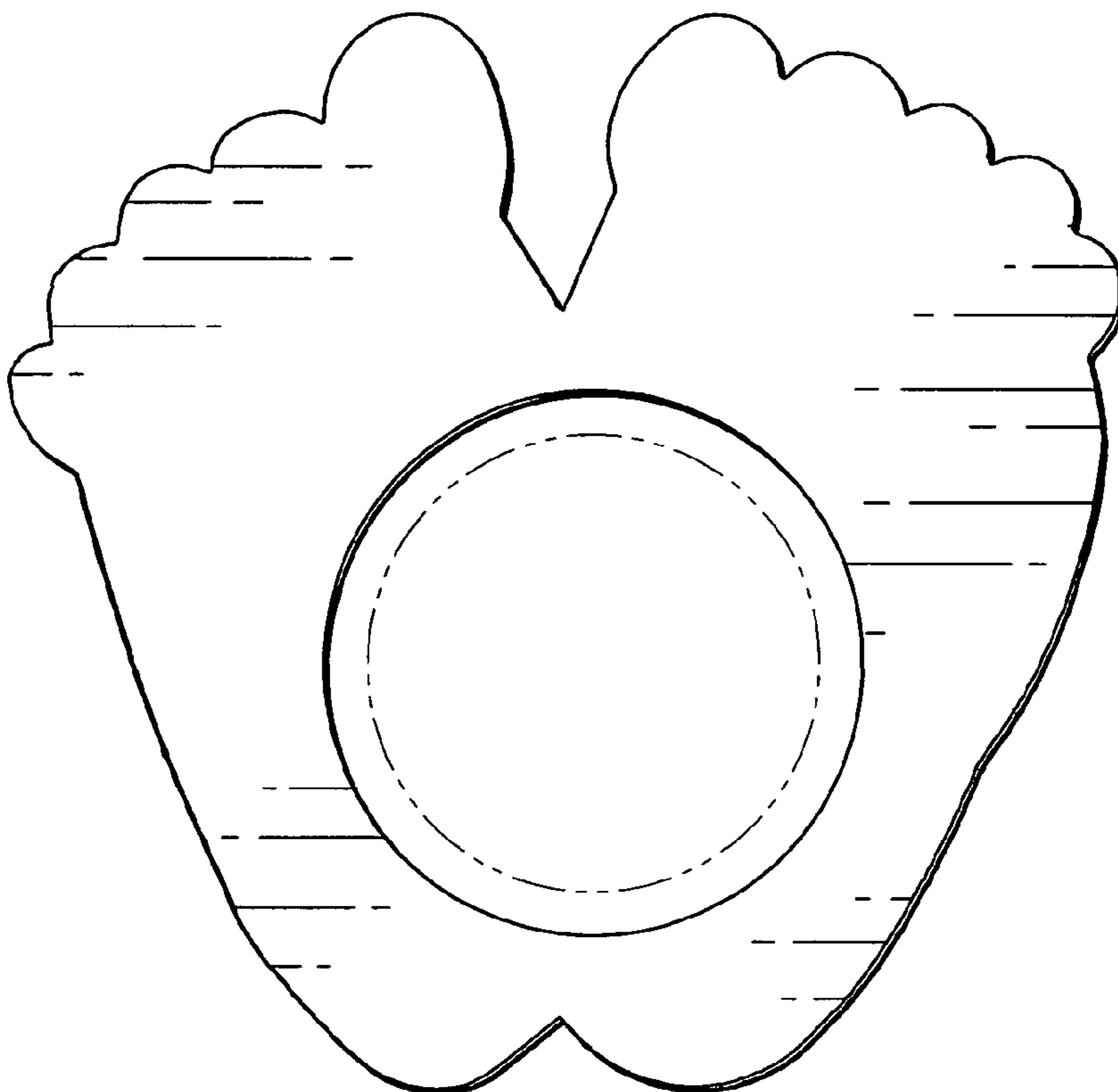




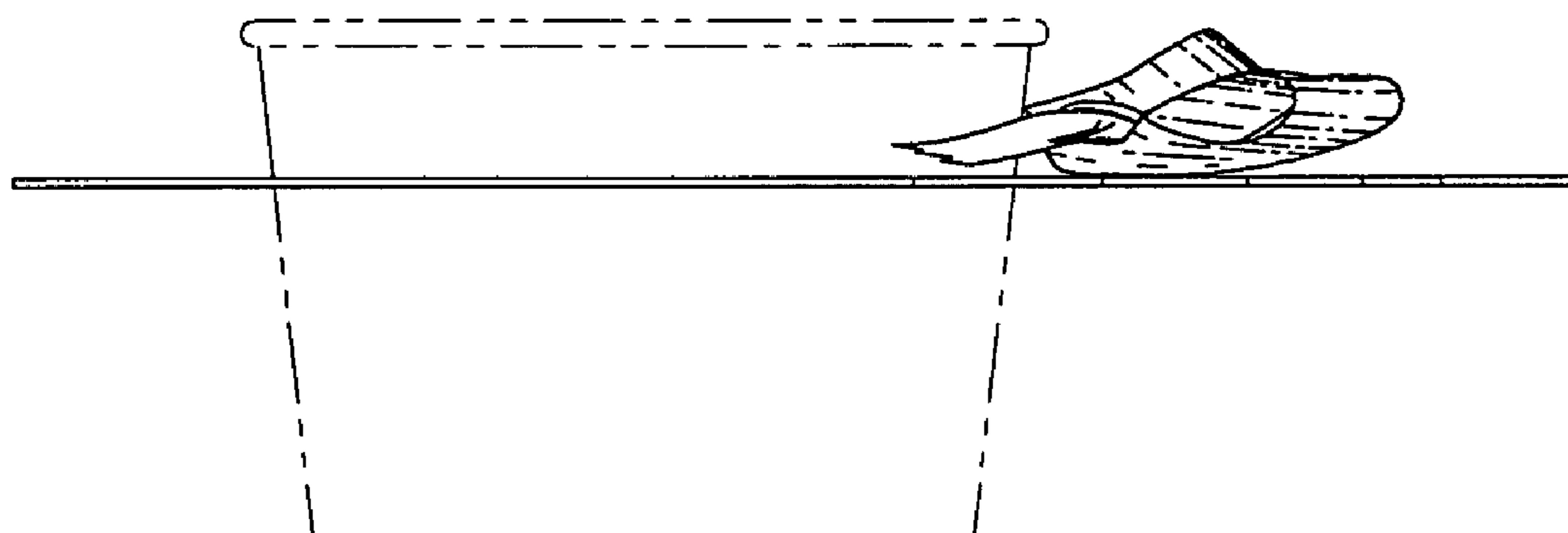
**Fig. 1**



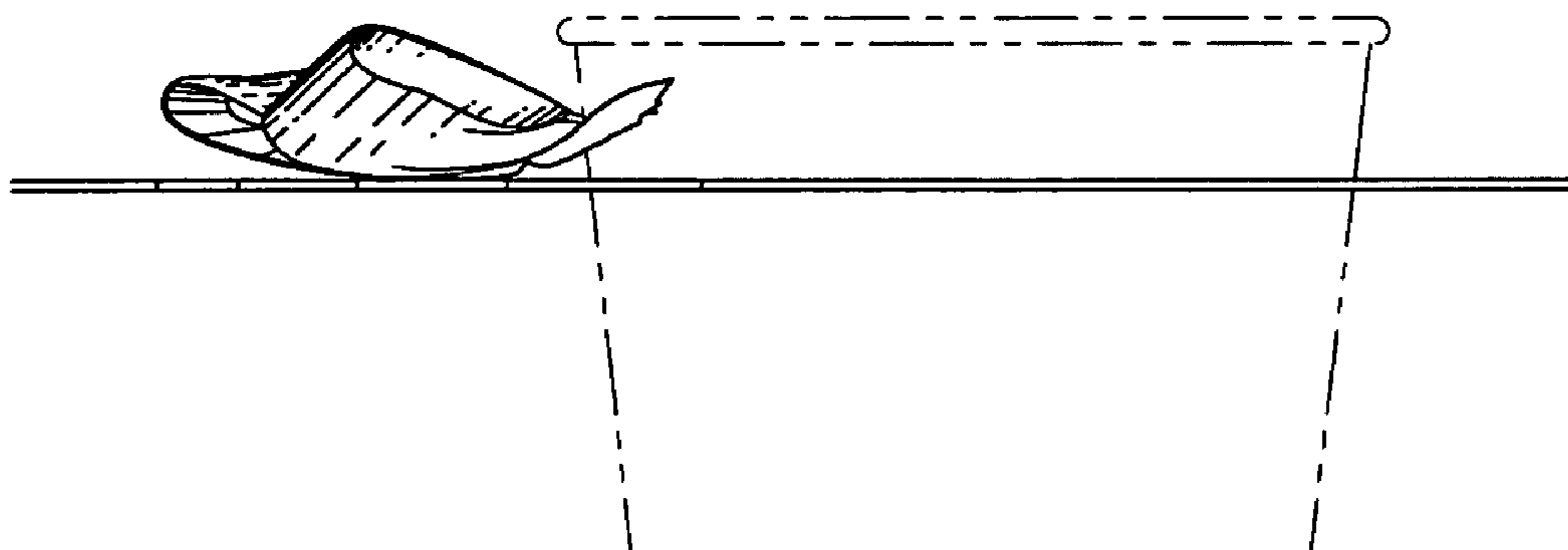
**Fig. 2**



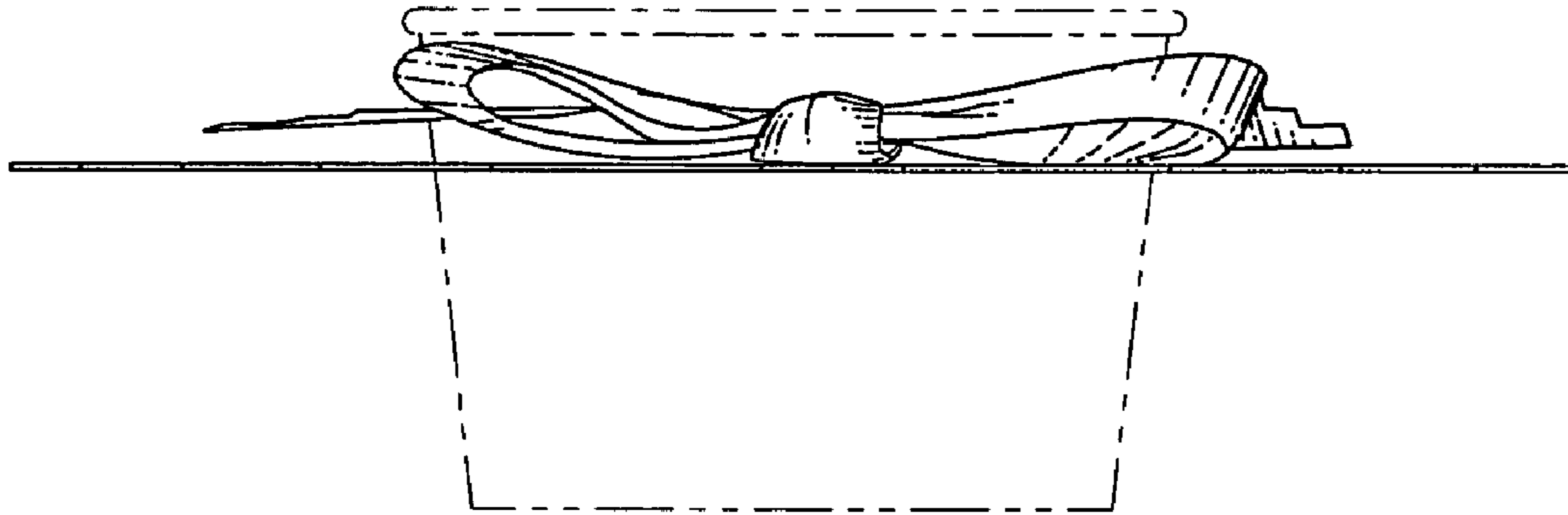
**Fig. 3**



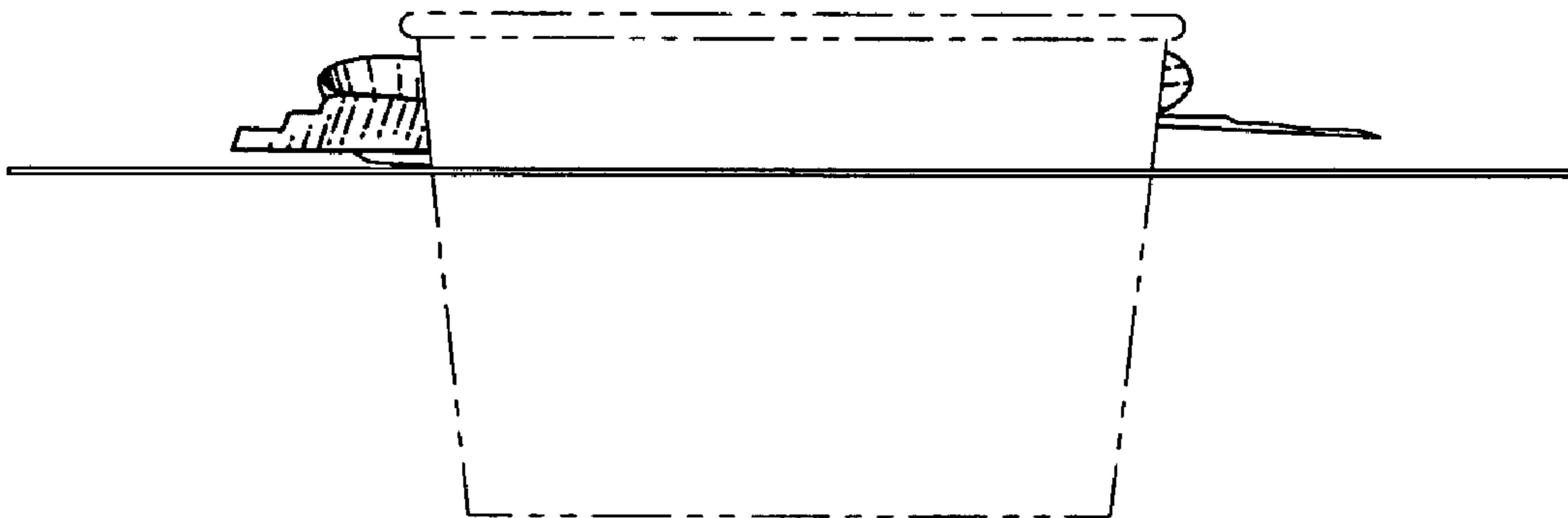
**Fig. 4**



**Fig. 5**



**Fig. 6**



**Fig. 7**