



US00D581209S

(12) **United States Design Patent**  
**Brown**

(10) **Patent No.:** **US D581,209 S**

(45) **Date of Patent:** **\*\* Nov. 25, 2008**

(54) **LID FOR A DIPPING CUP**

(75) Inventor: **Charles B. Brown**, New York, NY (US)

(73) Assignee: **Bryan, Bradley & Company, LLC**,  
New York, NY (US)

(\*\*) Term: **14 Years**

(21) Appl. No.: **29/304,393**

(22) Filed: **Feb. 29, 2008**

(51) **LOC (8) Cl.** ..... **07-02**

(52) **U.S. Cl.** ..... **D7/392.1**

(58) **Field of Classification Search** ..... D7/391,  
D7/392, 392.1, 629, 500, 538, 566, 568, 570,  
D7/584; D9/428, 434-436, 451-454, 503,  
D9/504, 569; 220/700, 701, 780, 782, 315,  
220/377, 800; 215/200, 224, 316, 354

See application file for complete search history.

(56) **References Cited**

**U.S. PATENT DOCUMENTS**

D37,103 S	8/1904	Haviland	
D156,855 S	1/1950	Tupper	
D160,829 S	11/1950	Yutzey	
D211,817 S	7/1968	Weir	
D271,651 S *	12/1983	Knutson	..... D7/570
D363,573 S	10/1995	Rehn	
D389,373 S	1/1998	Belue	
D449,965 S	11/2001	Liu	
D469,319 S *	1/2003	Pettaweebuncha	..... D7/629

D478,780 S *	8/2003	Lugo et al.	..... D7/584
D484,747 S *	1/2004	McMahon, III	..... D7/566
D508,403 S *	8/2005	Grant et al.	..... D9/451
D508,404 S *	8/2005	Grant et al.	..... D9/451
D508,824 S	8/2005	Vendl et al.	
D509,140 S *	9/2005	Grant et al.	..... D9/451
D520,304 S	5/2006	Kilders	
D539,612 S *	4/2007	Foss	..... D7/629
D543,075 S	5/2007	Abio	
D545,114 S	6/2007	Lion et al.	
D548,013 S *	8/2007	Laquitaine	..... D7/570
D569,690 S *	5/2008	Schosser	..... D7/570

\* cited by examiner

*Primary Examiner*—Holly H. Baynham

*Assistant Examiner*—Cynthia M Chin

(74) *Attorney, Agent, or Firm*—Fraser Clemens Martin &  
Miller LLC; J. Douglas Miller

(57) **CLAIM**

The ornamental design for a lid for a dipping cup, as shown and described.

**DESCRIPTION**

FIG. 1 is a perspective view of a lid for a dipping cup;

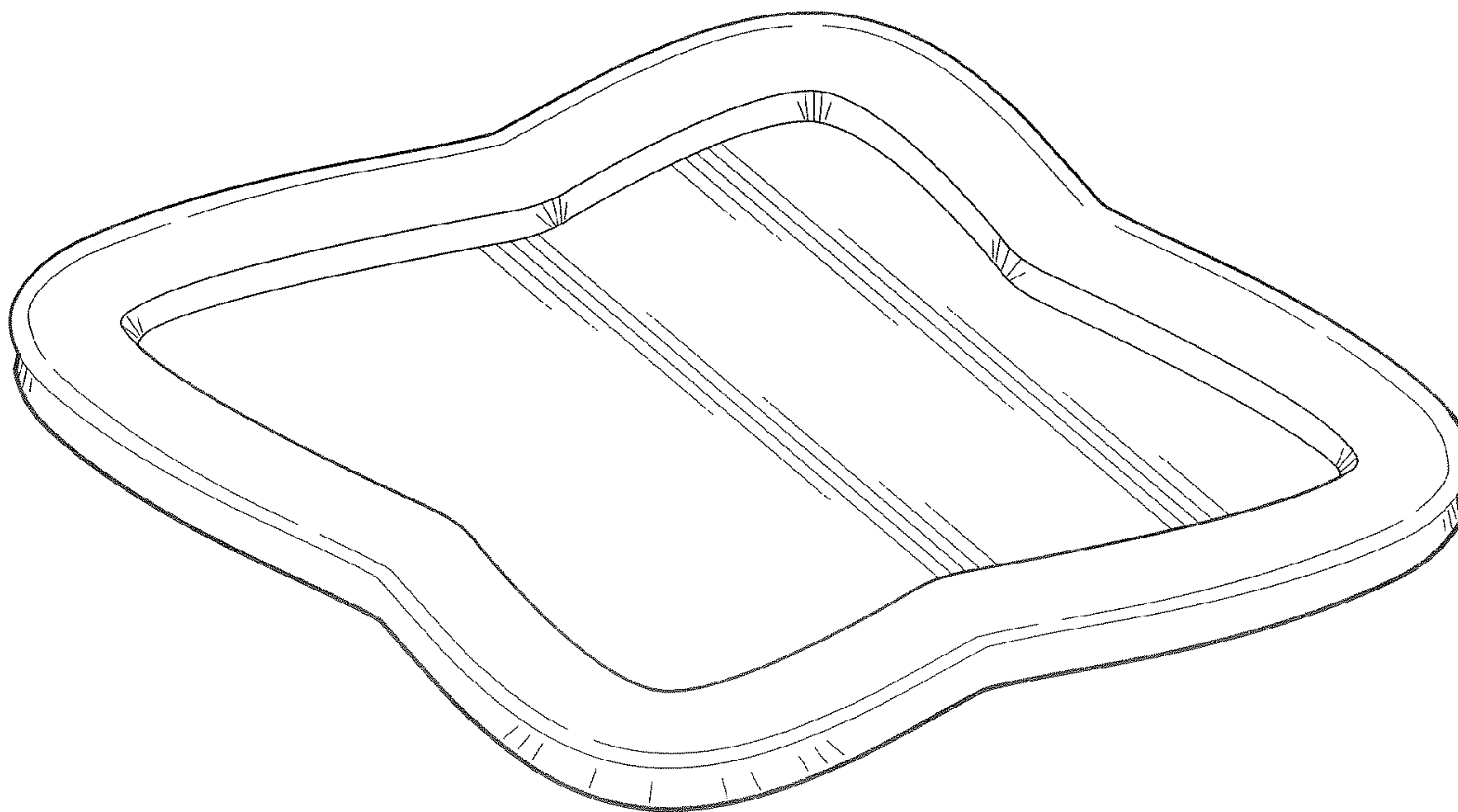
FIG. 2 is a top plan view of the lid of FIG. 1;

FIG. 3 is a bottom plan view of the lid of FIG. 1;

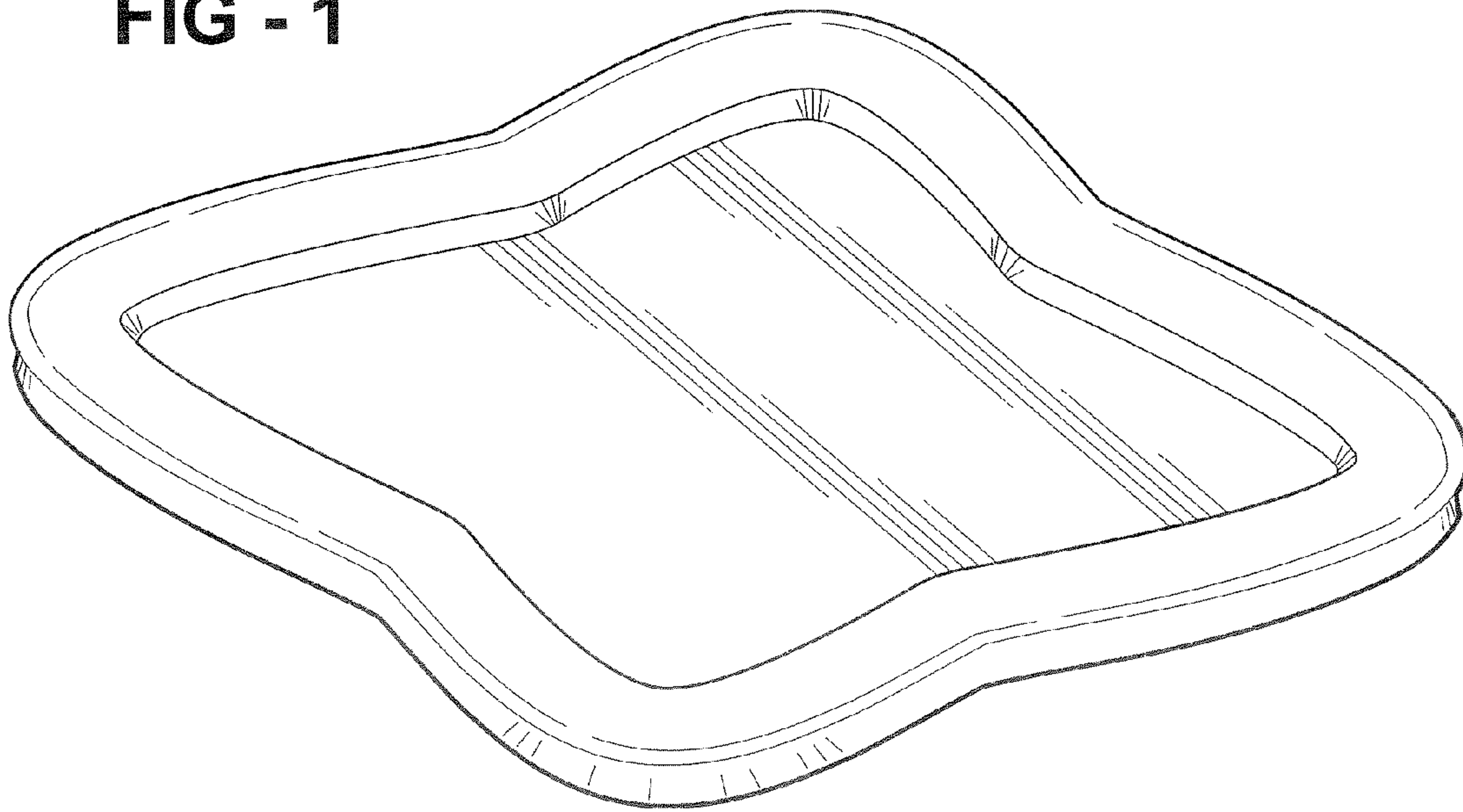
FIG. 4 is a front elevational view thereof; and,

FIG. 5 is a side elevational view thereof.

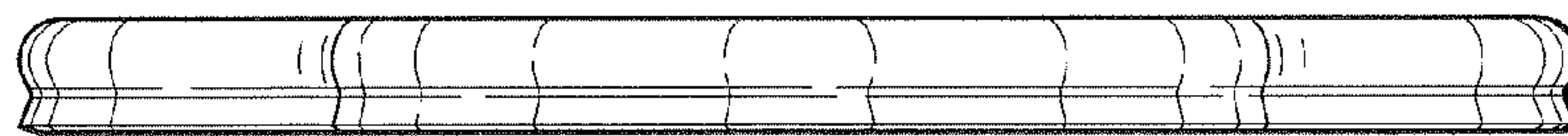
**1 Claim, 2 Drawing Sheets**



**FIG - 1**

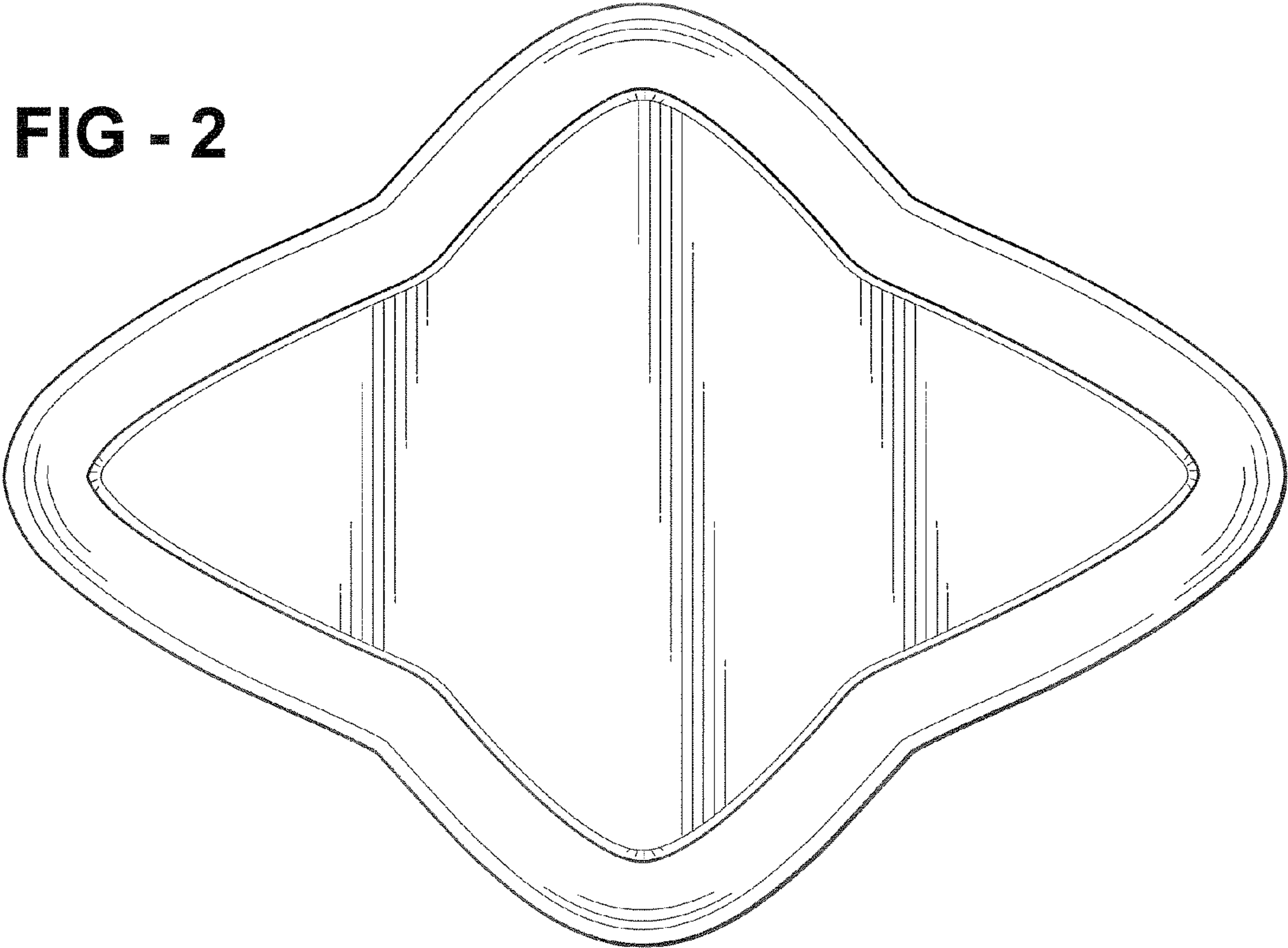


**FIG - 4**



**FIG - 5**

**FIG - 2**



**FIG - 3**

