



US00D581202S

(12) **United States Design Patent**  
**Tetreault et al.**

(10) **Patent No.:** **US D581,202 S**  
(45) **Date of Patent:** **\*\* Nov. 25, 2008**

(54) **CONTACT GRILL**

(75) Inventors: **Joel Tetreault**, Haskins, OH (US);  
**Kevin O'Doherty**, Kowloon Bay (HK);  
**Liu Wai Hung**, Kowloon Bay (HK); **Lee Chak Por**, Kowloon Bay (HK)

(73) Assignee: **Calphalon Corporation**, Freeport, IL (US)

(\*\*) Term: **14 Years**

(21) Appl. No.: **29/299,643**

(22) Filed: **Dec. 31, 2007**

(51) **LOC (8) Cl.** ..... **07-02**

(52) **U.S. Cl.** ..... **D7/352**

(58) **Field of Classification Search** ..... D3/298;  
D7/323, 328-332, 334-341, 347-349, 352-363,  
D7/609; 99/219, 331, 339-340, 349, 369,  
99/372-375, 385-386, 389, 425, 444, 446,  
99/466, 601, 618, 620; 219/524-525, 620-622,  
219/732-734

See application file for complete search history.

(56) **References Cited**

**U.S. PATENT DOCUMENTS**

D436,794 S \* 1/2001 McClean ..... D7/352  
D452,109 S \* 12/2001 Hensel ..... D7/352  
D479,665 S \* 9/2003 Barker ..... D7/352  
D507,929 S \* 8/2005 Steinberg et al. .... D7/352  
D509,703 S \* 9/2005 Barker ..... D7/352  
D527,941 S \* 9/2006 Serra ..... D7/352

D528,350 S \* 9/2006 McHutchison ..... D7/352  
D532,646 S \* 11/2006 Moore ..... D7/352  
D539,074 S \* 3/2007 Lubowicki ..... D7/352  
D541,581 S \* 5/2007 Moore ..... D7/352  
D541,582 S \* 5/2007 Chuang et al. .... D7/352  
D546,619 S \* 7/2007 McHutchison ..... D7/352

**FOREIGN PATENT DOCUMENTS**

WO WO 2005002407 A1 \* 1/2005

\* cited by examiner

*Primary Examiner*—Caron D. Veynar

*Assistant Examiner*—Ricky Pham

(74) *Attorney, Agent, or Firm*—Foley & Lardner LLP

(57) **CLAIM**

We claim the ornamental design for a contact grill, as shown and described.

**DESCRIPTION**

FIG. 1 is a top frontal perspective view of a first embodiment of a contact grill according to our new design;

FIG. 2 is a front view of the contact grill shown in FIG. 1;

FIG. 3 is a back view of the contact grill shown in FIG. 1;

FIG. 4 is a left side view of the contact grill shown in FIG. 1;

FIG. 5 is a right side view of the contact grill shown in FIG. 1;

FIG. 6 is a top view of the contact grill shown in FIG. 1; and,

FIG. 7 is a bottom view of the contact grill shown in FIG. 1.

The broken lines in the drawings are for illustrative purposes only and form no part of the claimed design.

**1 Claim, 4 Drawing Sheets**

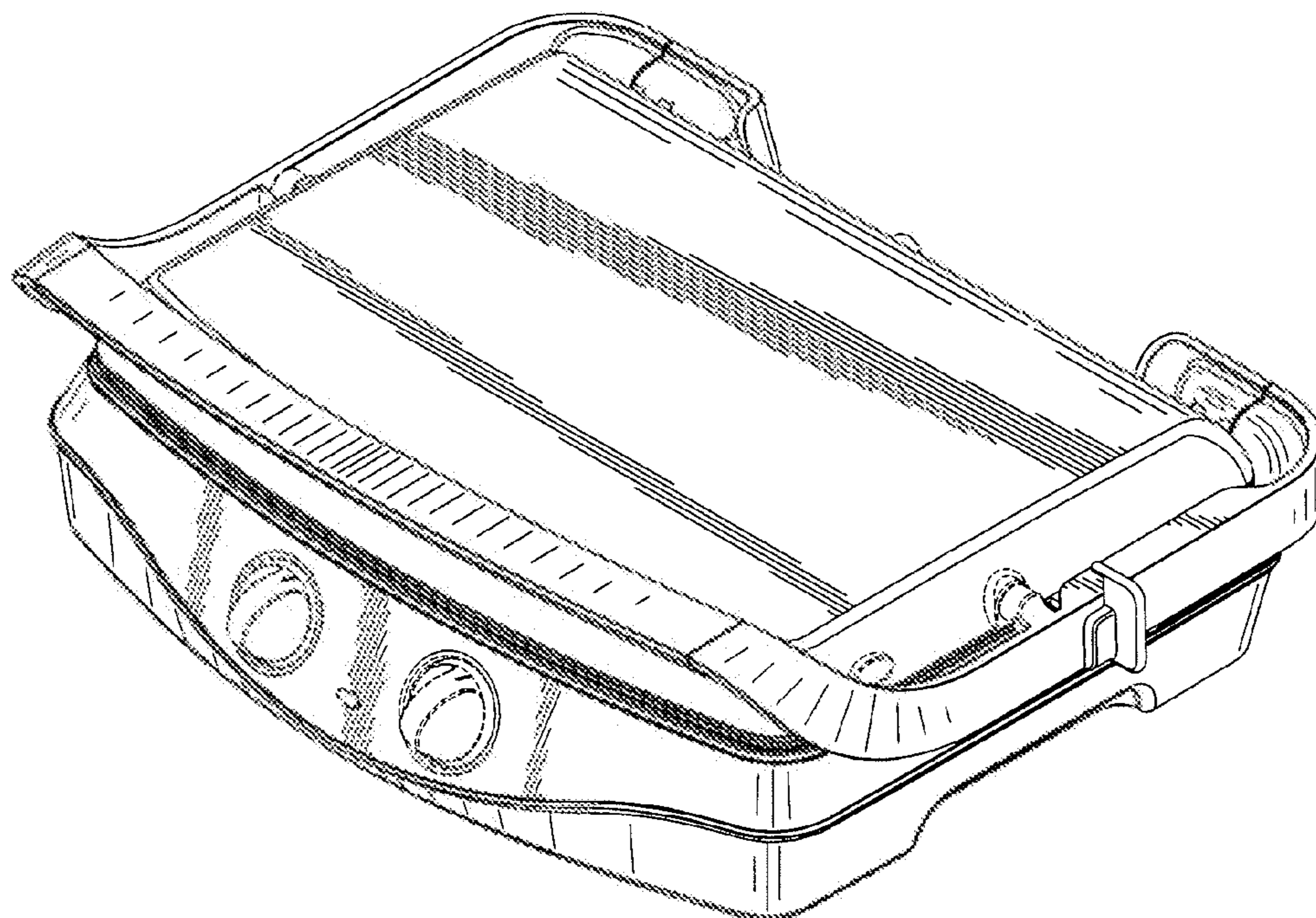


Fig. 1

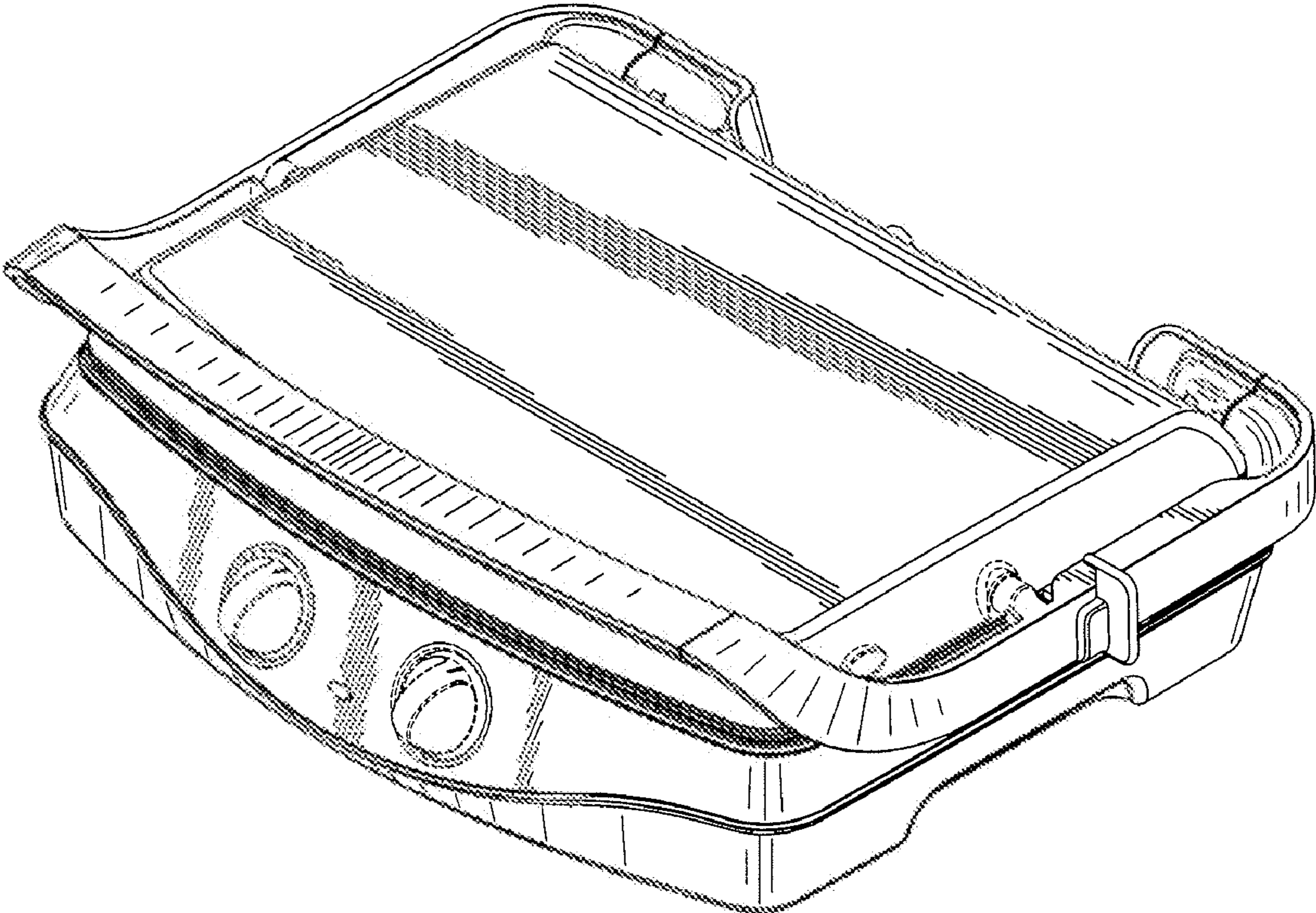


Fig. 2

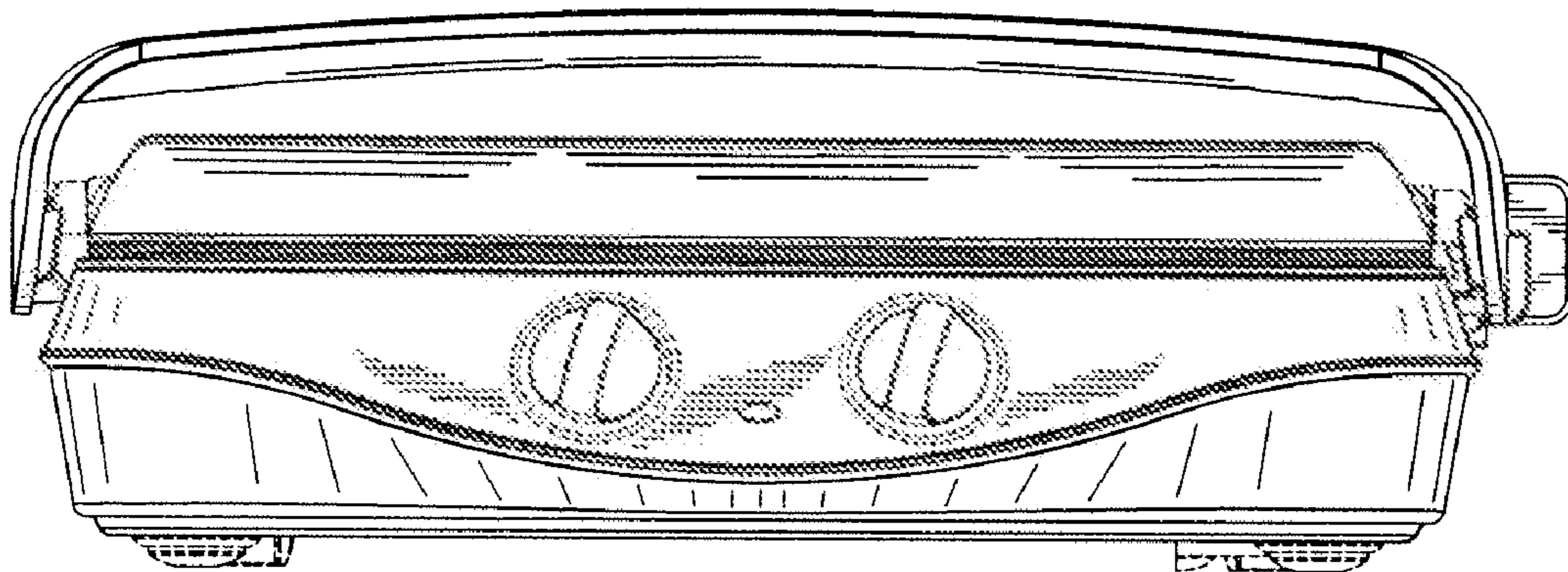


Fig. 3

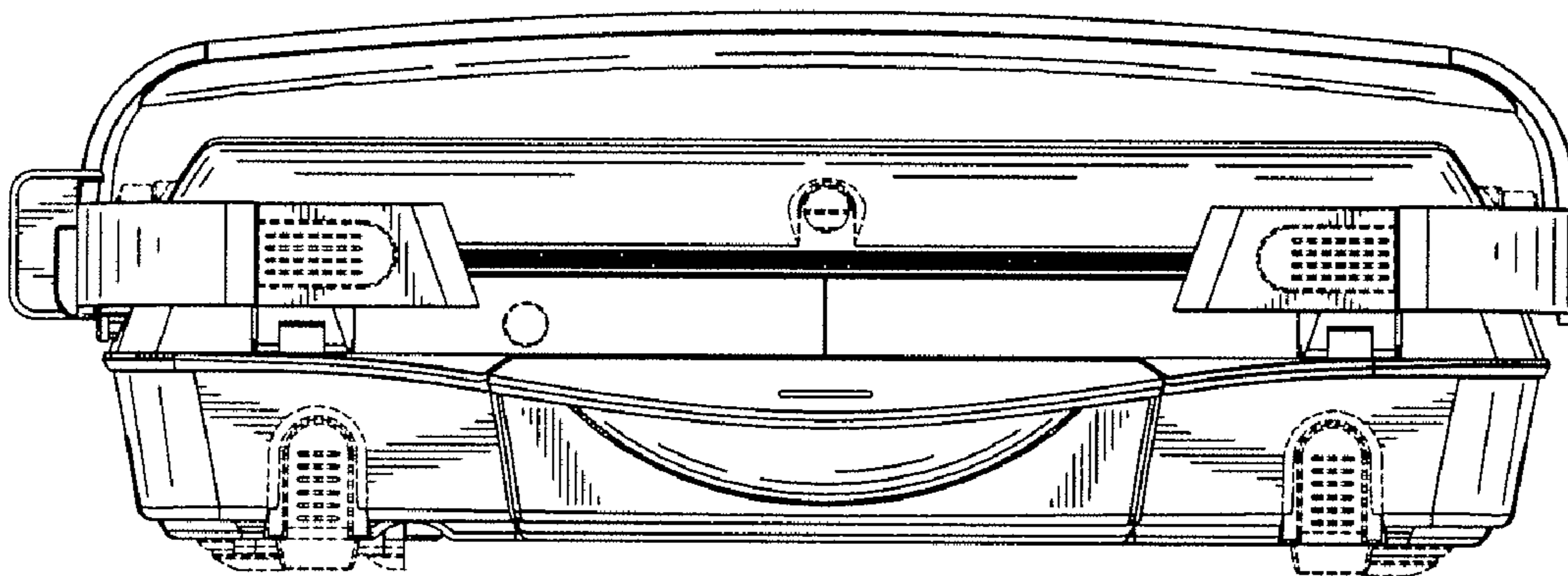


Fig. 4

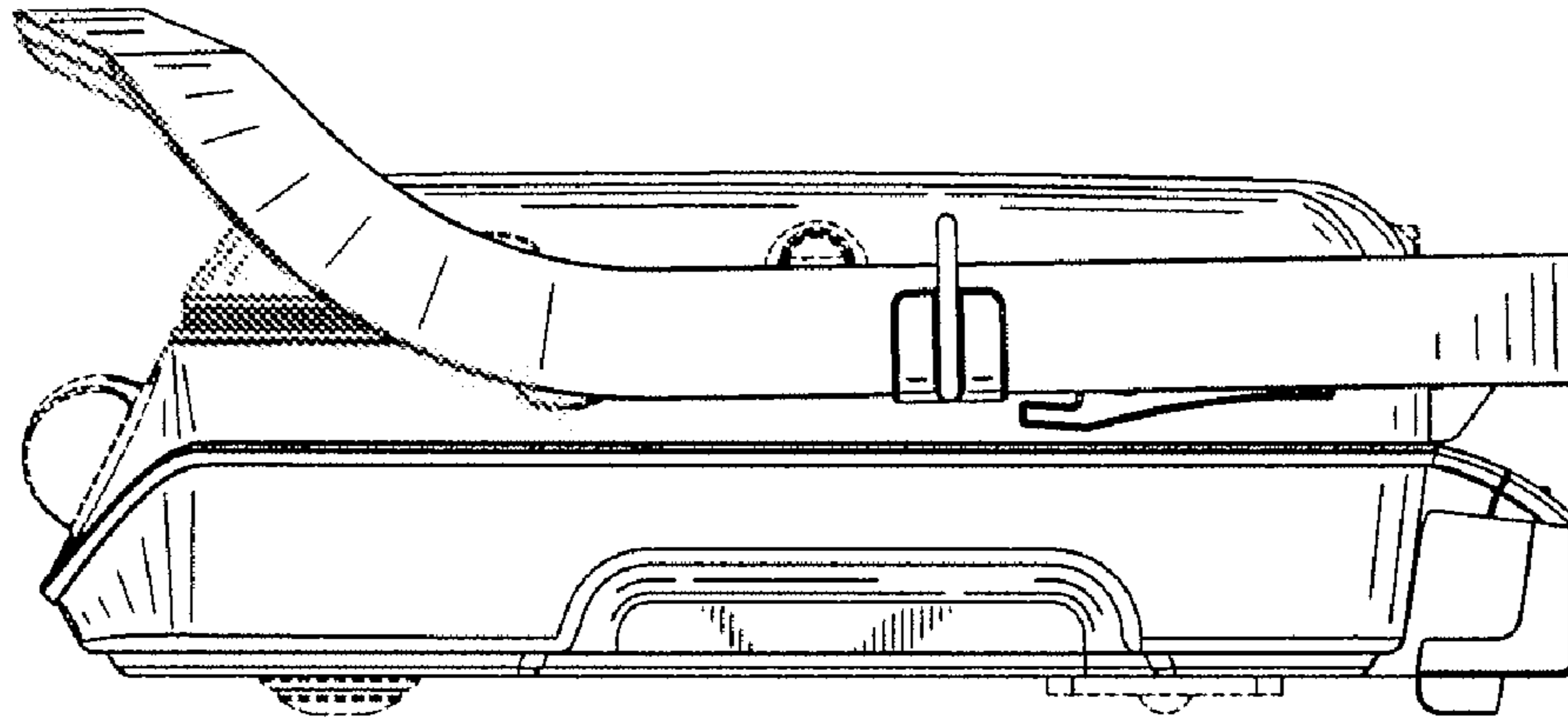


Fig. 5

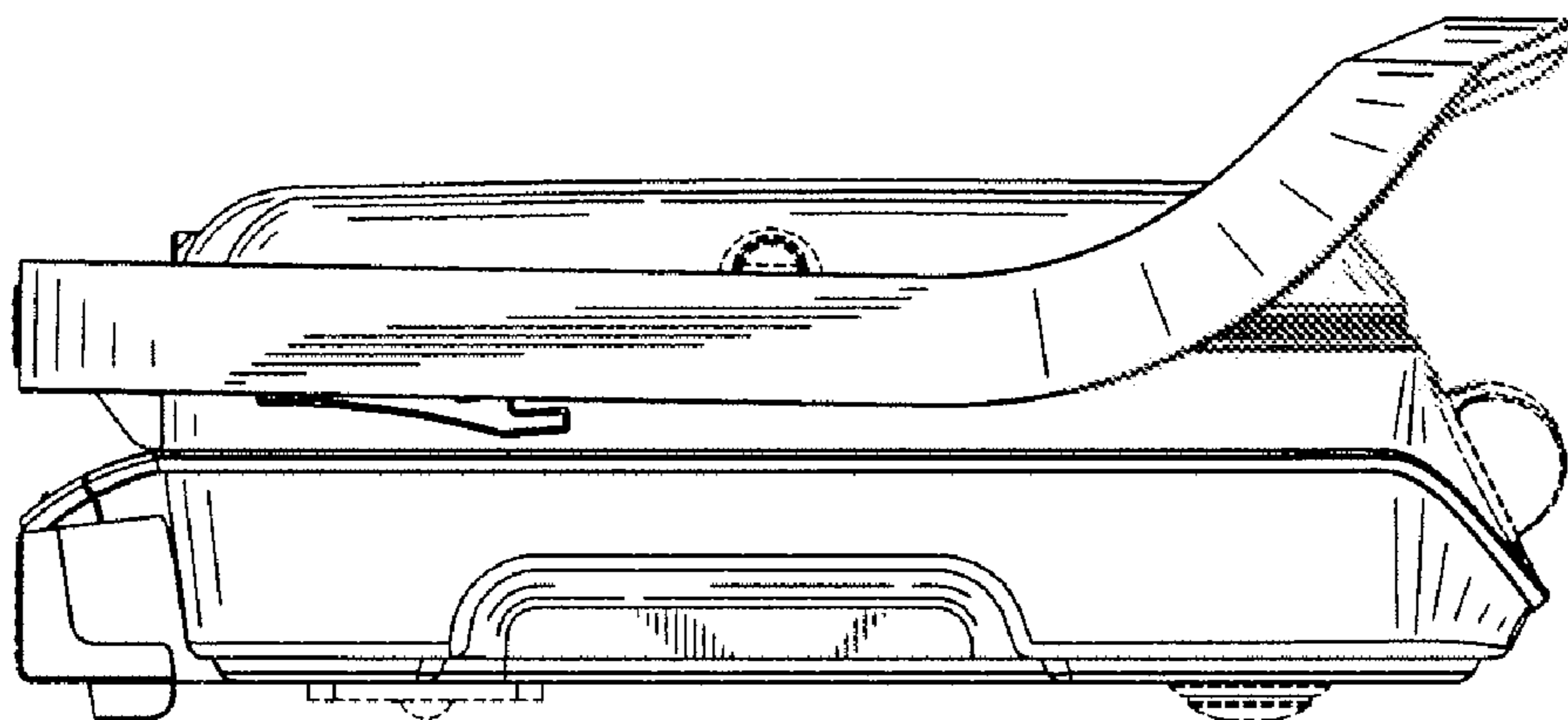


Fig. 6

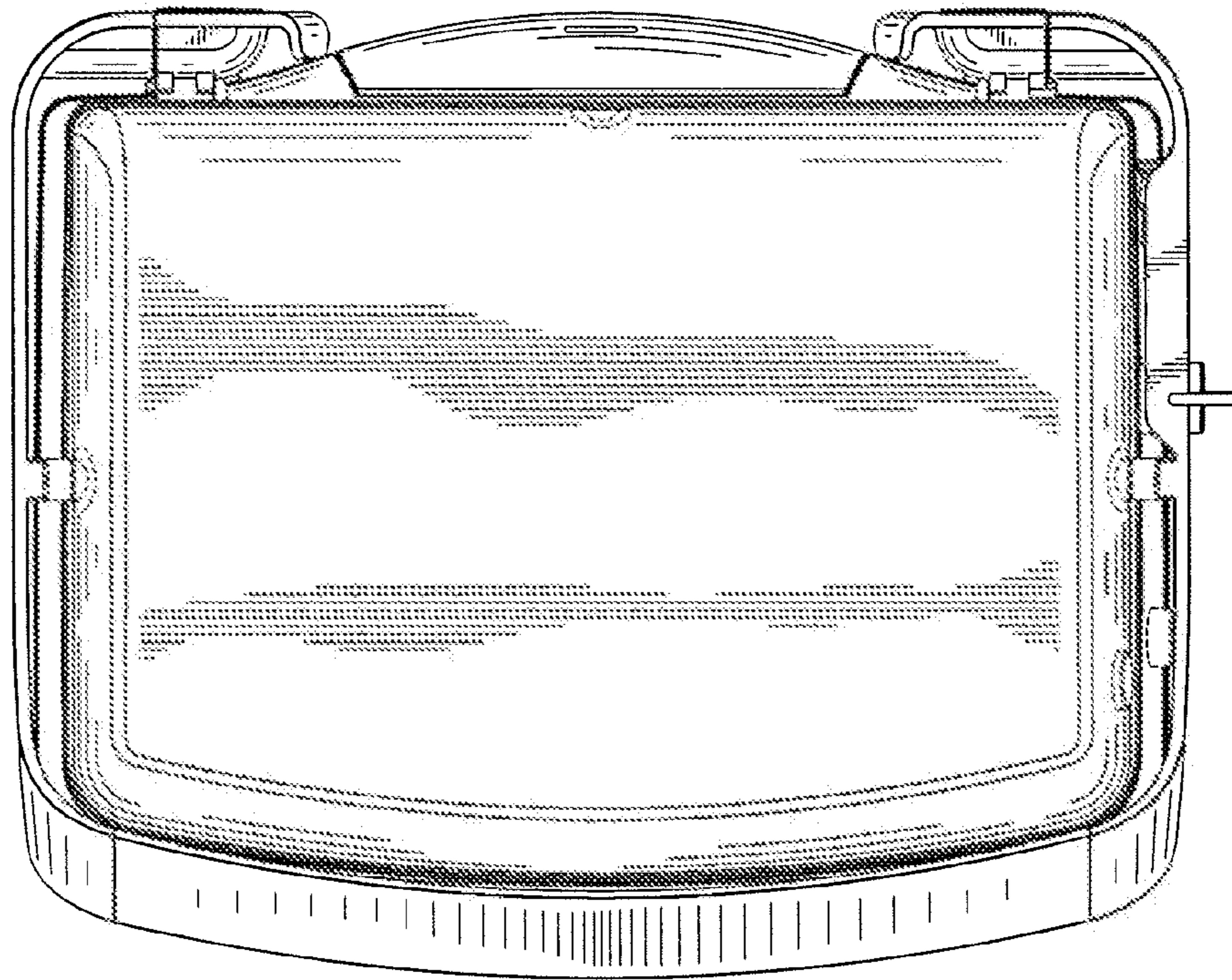


Fig. 7

