



US00D581201S

(12) **United States Design Patent**
Lee

(10) **Patent No.:** **US D581,201 S**
(45) **Date of Patent:** **** Nov. 25, 2008**

(54) **MICROWAVE OVEN**

(75) Inventor: **Seon Ju Lee**, Seoul (KR)

(73) Assignee: **Samsung Electronics Co., Ltd.**, Suwon (KR)

(**) Term: **14 Years**

(21) Appl. No.: **29/294,811**

(22) Filed: **Jan. 29, 2008**

(51) **LOC (8) Cl.** **07-02**

(52) **U.S. Cl.** **D7/351**

(58) **Field of Classification Search** D7/350.1,
D7/350.3, 350.4, 351, 402, 405; 126/19 M,
126/275 E; 219/756-758, 679, 680, 725,
219/727, 734, 435; 99/DIG. 14
See application file for complete search history.

(56) **References Cited**

U.S. PATENT DOCUMENTS

D220,144 S * 3/1971 Perl et al. D6/402
D275,242 S * 8/1984 Stephens D6/360

D310,150 S * 8/1990 Ichihara et al. D7/351
D310,616 S * 9/1990 Murai et al. D7/351
D329,569 S * 9/1992 Ichihara et al. D7/351
D463,200 S * 9/2002 Choi D7/351

* cited by examiner

Primary Examiner—Ruth McInroy

(74) *Attorney, Agent, or Firm*—Ladas and Parry LLP

(57) **CLAIM**

I claim the ornamental design for microwave oven, as shown.

DESCRIPTION

FIG. 1 is a front/right-side/top perspective view of a microwave oven showing our new design;

FIG. 2 is a front-side elevational view thereof;

FIG. 3 is a rear-side elevational view thereof;

FIG. 4 is a left-side elevational view thereof;

FIG. 5 is a right-side elevational view thereof;

FIG. 6 is a top-side elevational view thereof; and,

FIG. 7 is a bottom-side elevational view thereof.

1 Claim, 5 Drawing Sheets

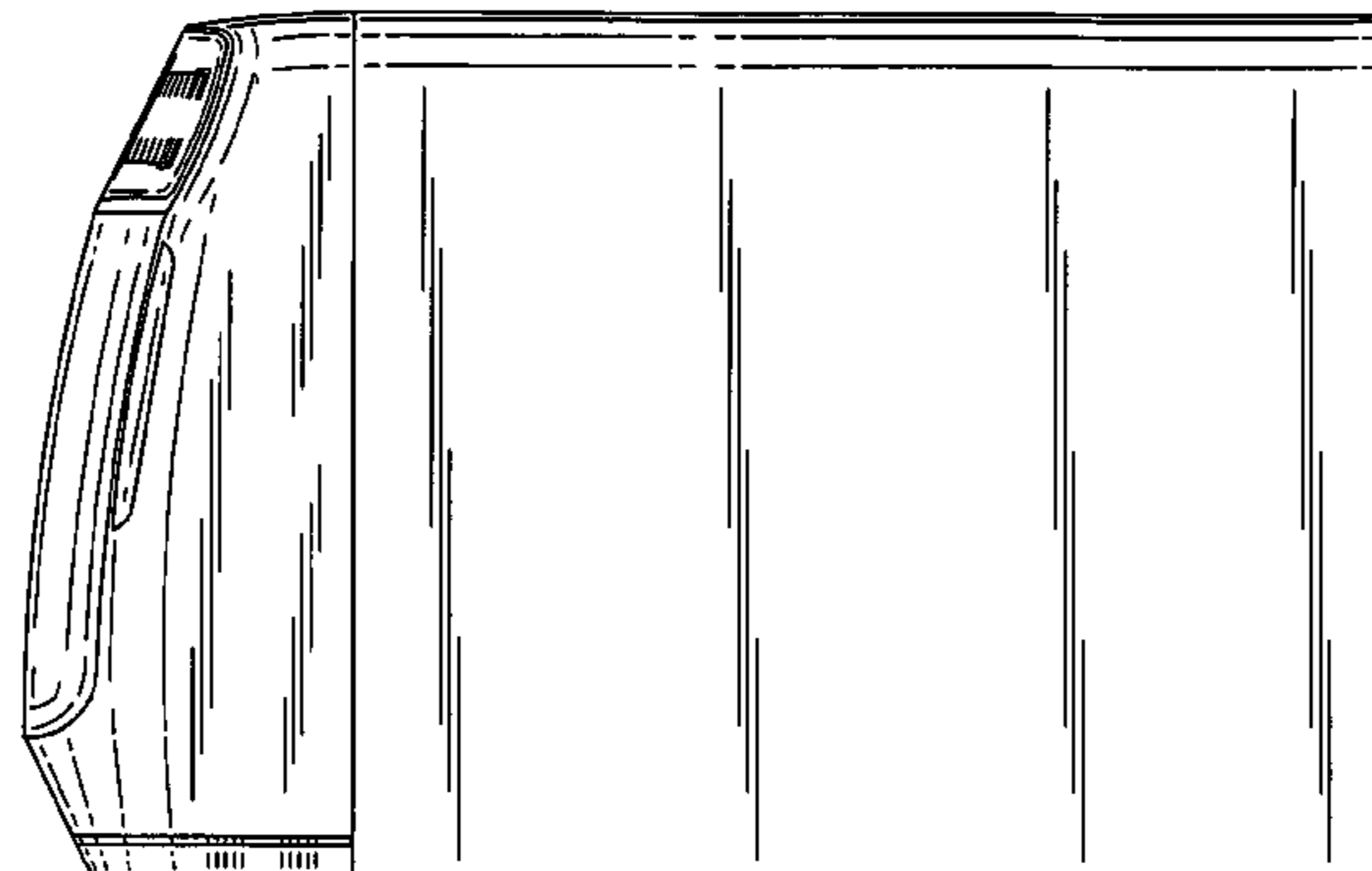
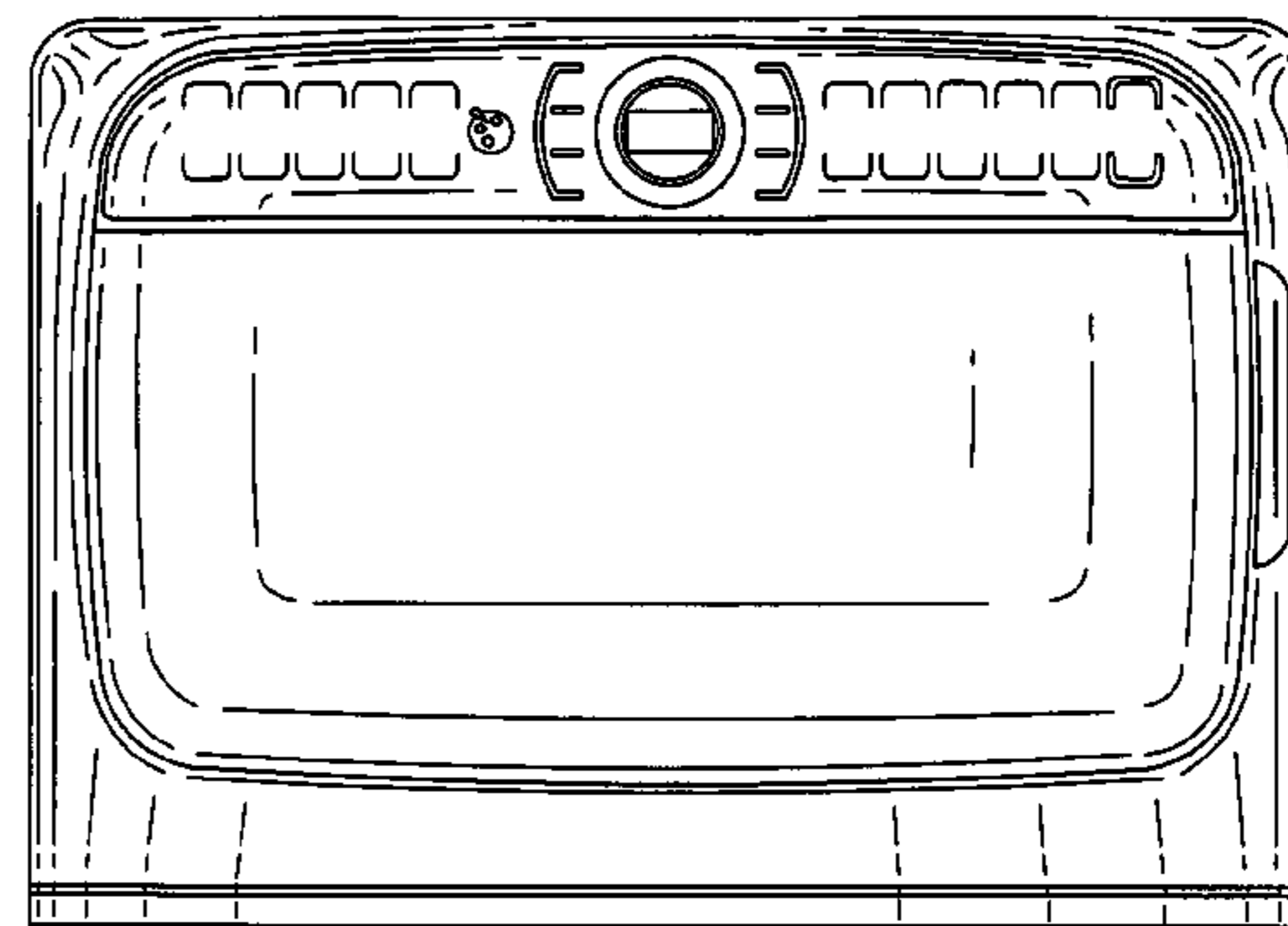
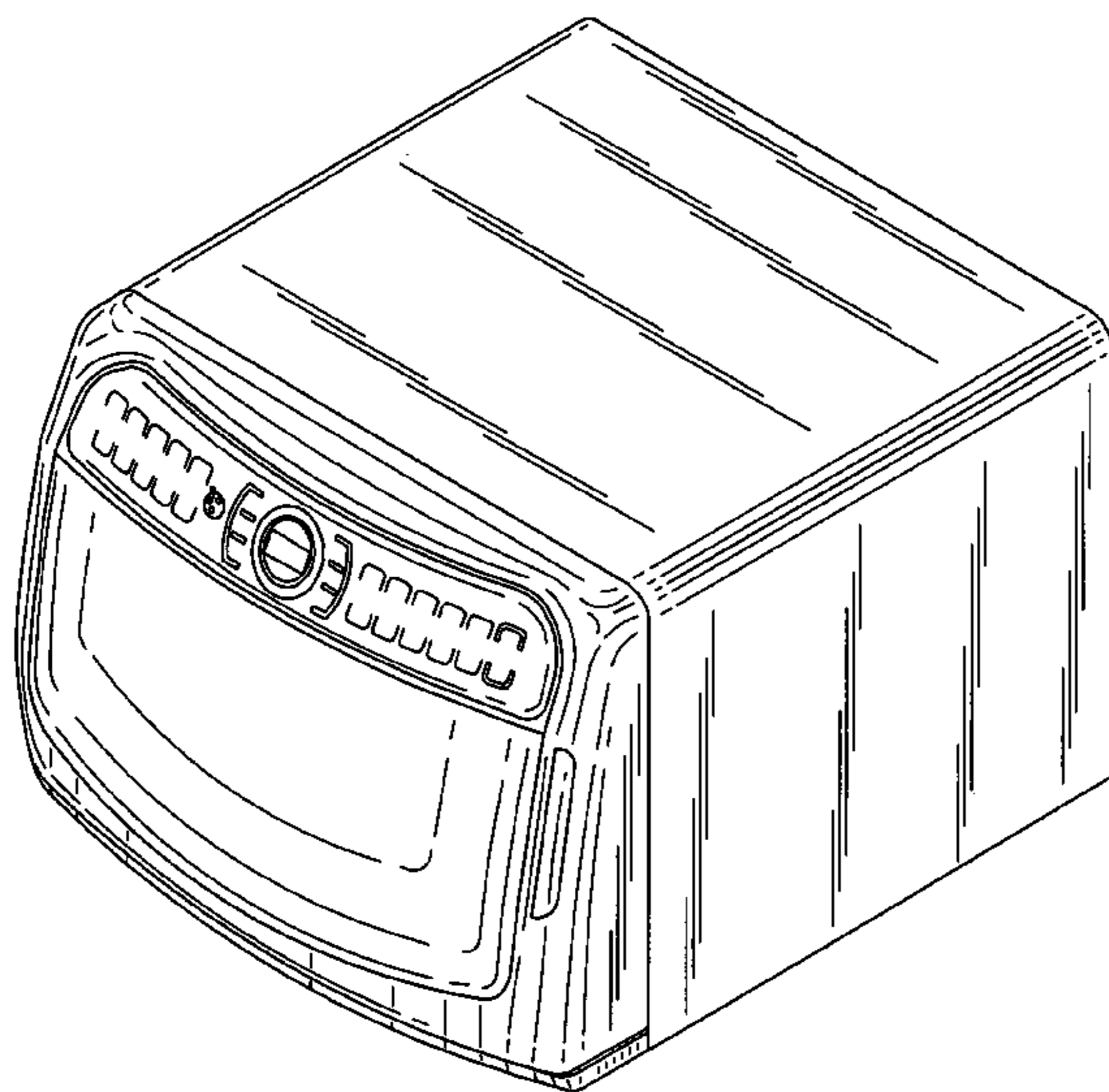
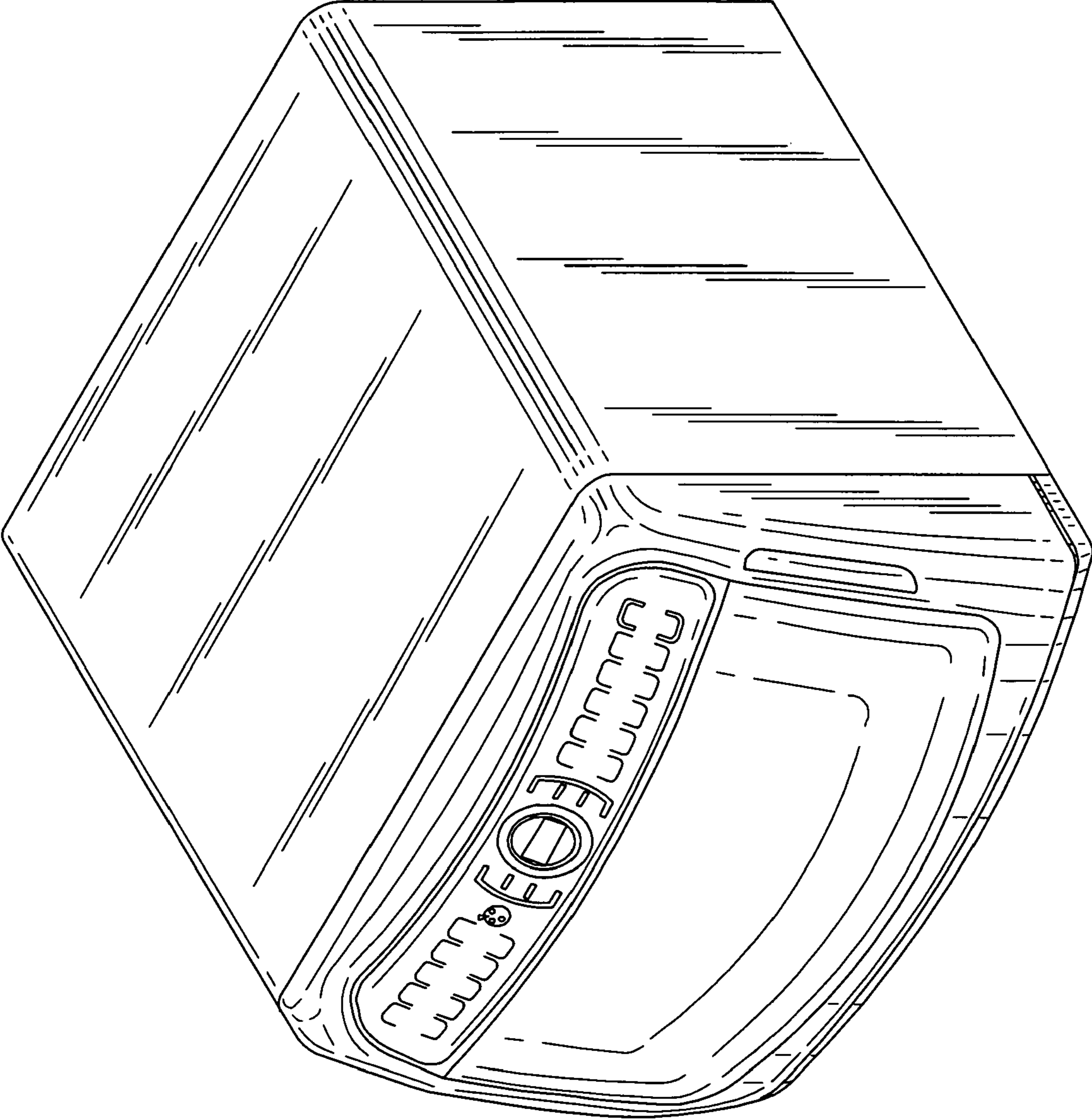


FIG. 1



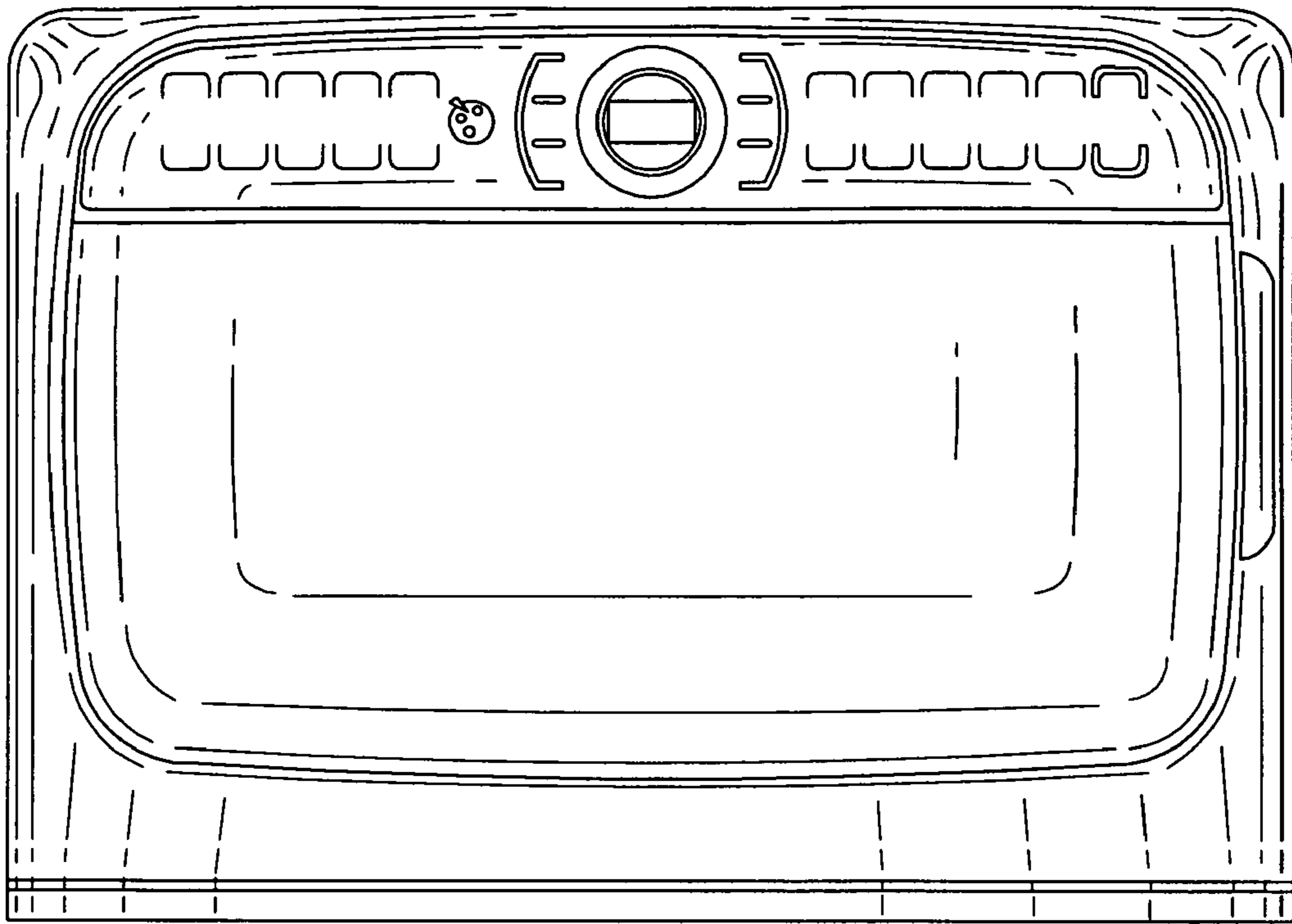


FIG. 2

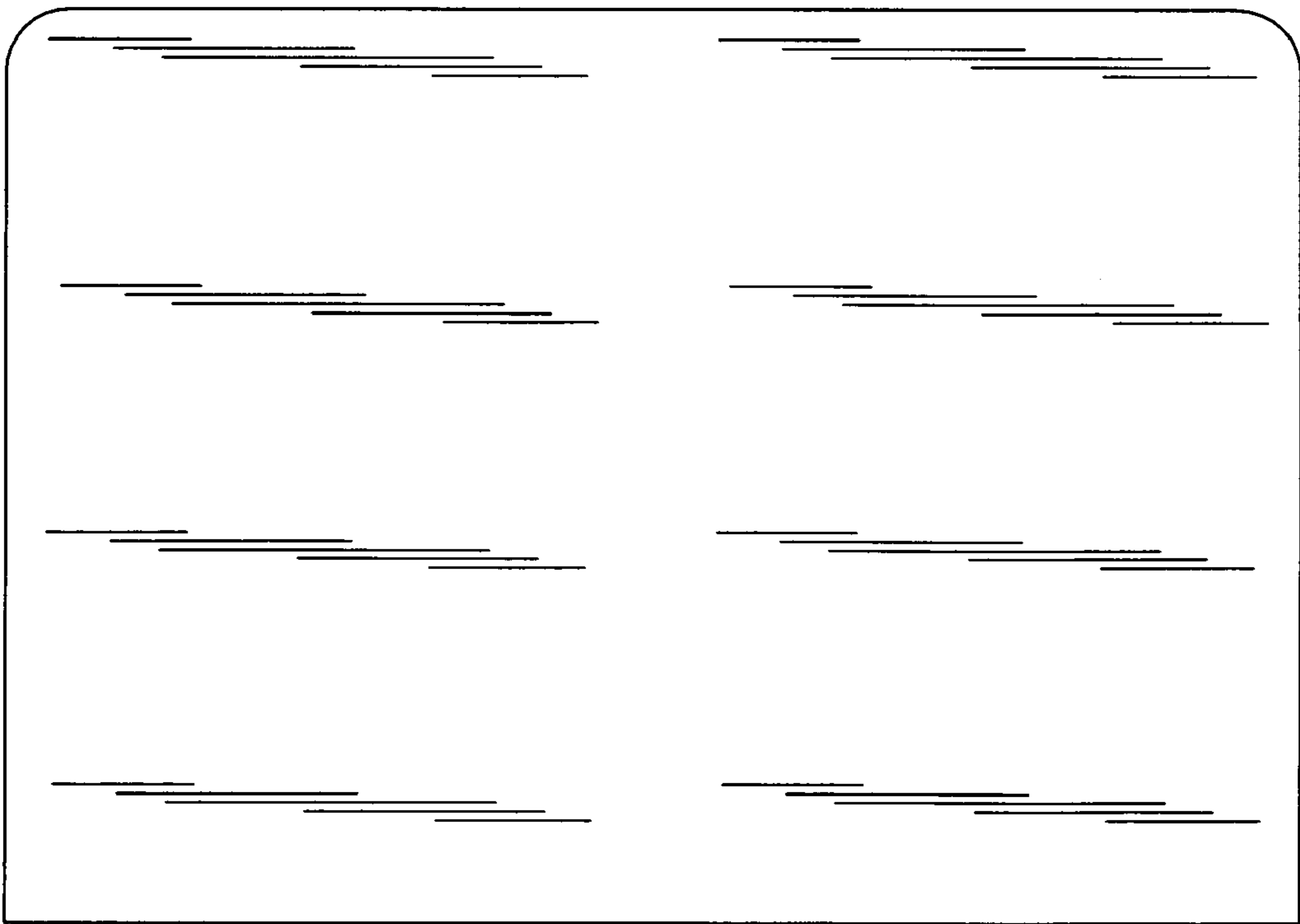


FIG. 3



FIG. 4

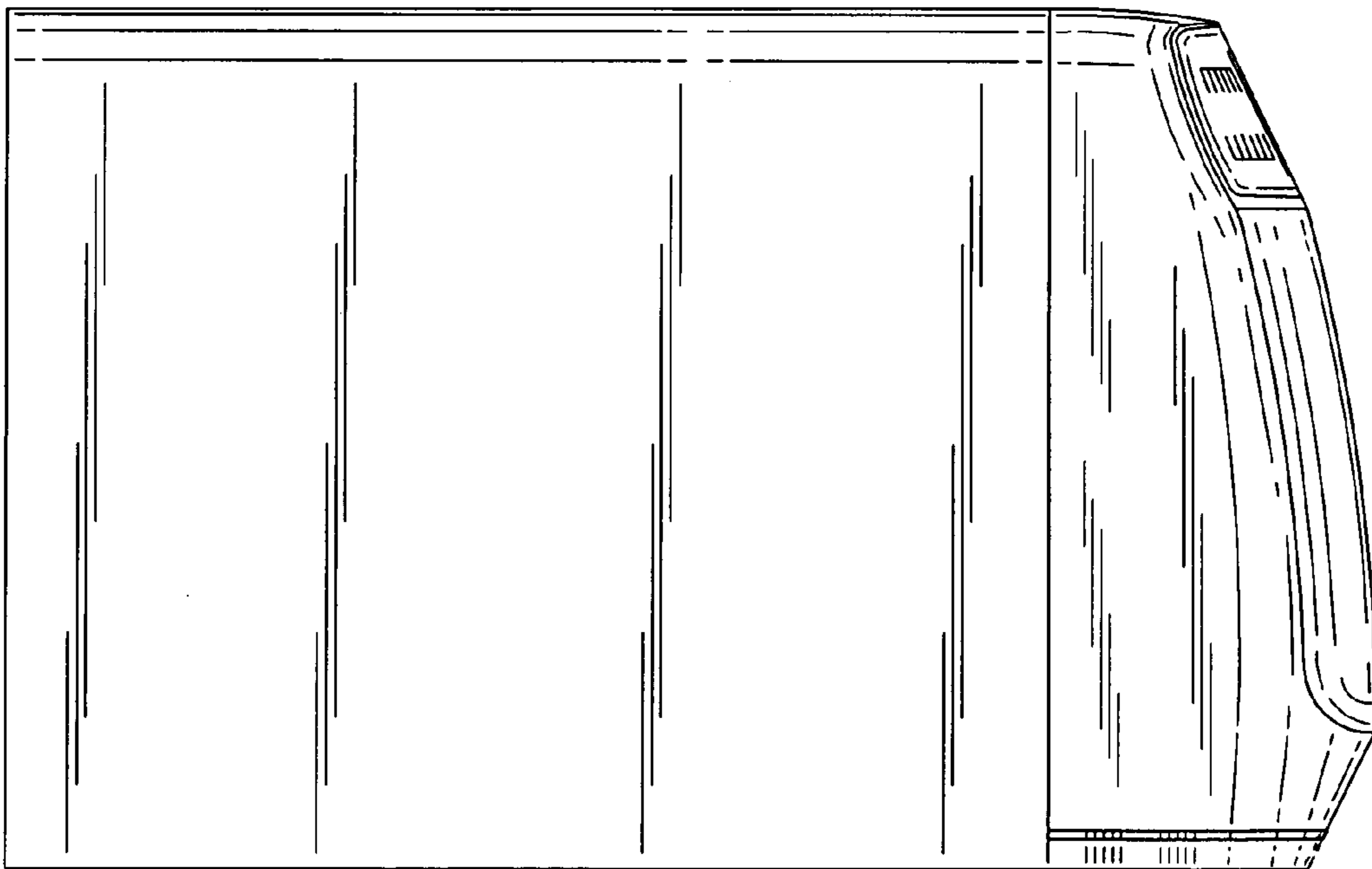


FIG. 5

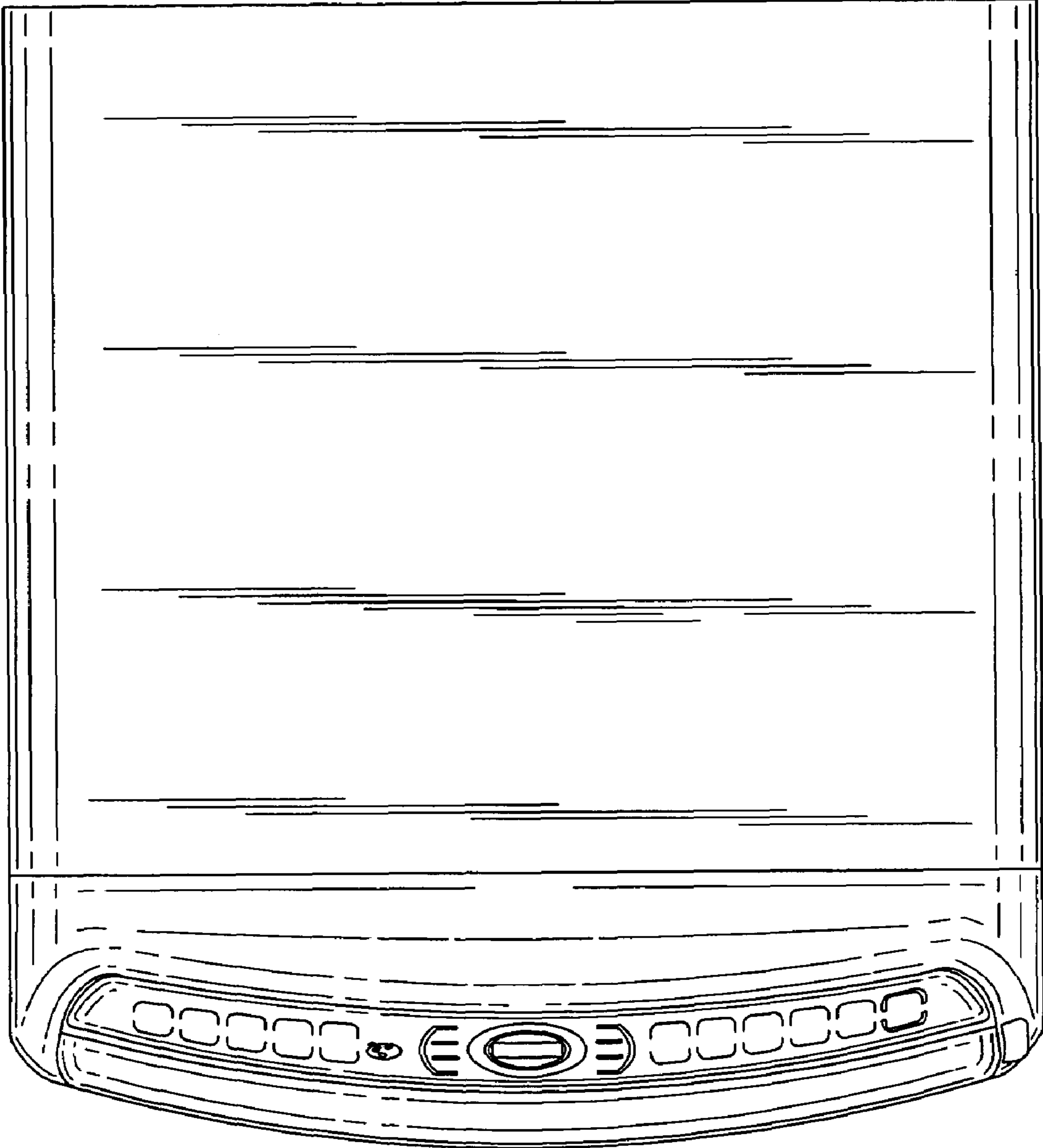


FIG. 6

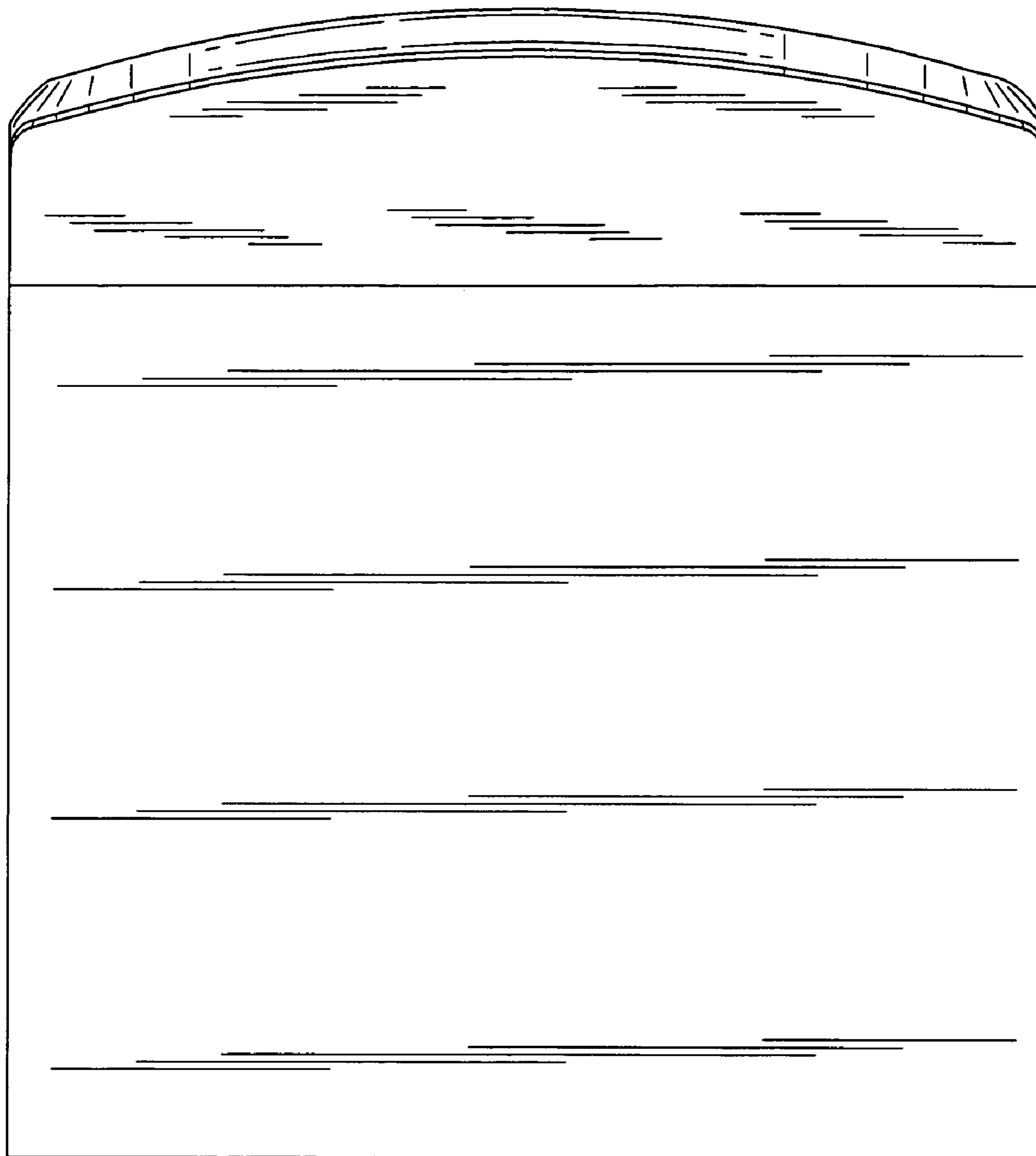


FIG. 7