



US00D581200S

(12) **United States Design Patent**  
**Lee**

(10) **Patent No.:** **US D581,200 S**  
(45) **Date of Patent:** **\*\* Nov. 25, 2008**

(54) **MICROWAVE OVEN**

(75) Inventor: **Seon Ju Lee**, Seoul (KR)

(73) Assignee: **Samsung Electronics Co., Ltd.**, Suwon (KR)

(\*\*) Term: **14 Years**

(21) Appl. No.: **29/294,632**

(22) Filed: **Jan. 18, 2008**

(51) **LOC (8) Cl.** ..... **07-02**

(52) **U.S. Cl.** ..... **D7/351**

(58) **Field of Classification Search** ..... D7/350.1,  
D7/350.3, 350.4, 351, 402, 405; 126/19 M,  
126/275 E; 219/756-758, 679, 680, 725,  
219/727, 734, 435; 99/DIG. 14  
See application file for complete search history.

(56) **References Cited**

**U.S. PATENT DOCUMENTS**

D220,144 S \* 3/1971 Perl et al. .... D6/402  
D275,242 S \* 8/1984 Stephens ..... D6/360

D310,150 S \* 8/1990 Ichihara et al. .... D7/351  
D310,616 S \* 9/1990 Murai et al. .... D7/351  
D329,569 S \* 9/1992 Ichihara et al. .... D7/351  
D463,200 S \* 9/2002 Choi ..... D7/351

\* cited by examiner

*Primary Examiner*—Ruth McInroy

(74) *Attorney, Agent, or Firm*—Ladas and Parry LLP

(57) **CLAIM**

I claim the ornamental design for microwave oven, as shown.

**DESCRIPTION**

FIG. 1 is a front/right-side/top perspective view of a microwave oven showing our new design;

FIG. 2 is a front-side elevational view thereof;

FIG. 3 is a rear-side elevational view thereof;

FIG. 4 is a left-side elevational view thereof;

FIG. 5 is a right-side elevational view thereof;

FIG. 6 is a top-side elevational view thereof; and,

FIG. 7 is a bottom-side elevational view thereof.

**1 Claim, 5 Drawing Sheets**

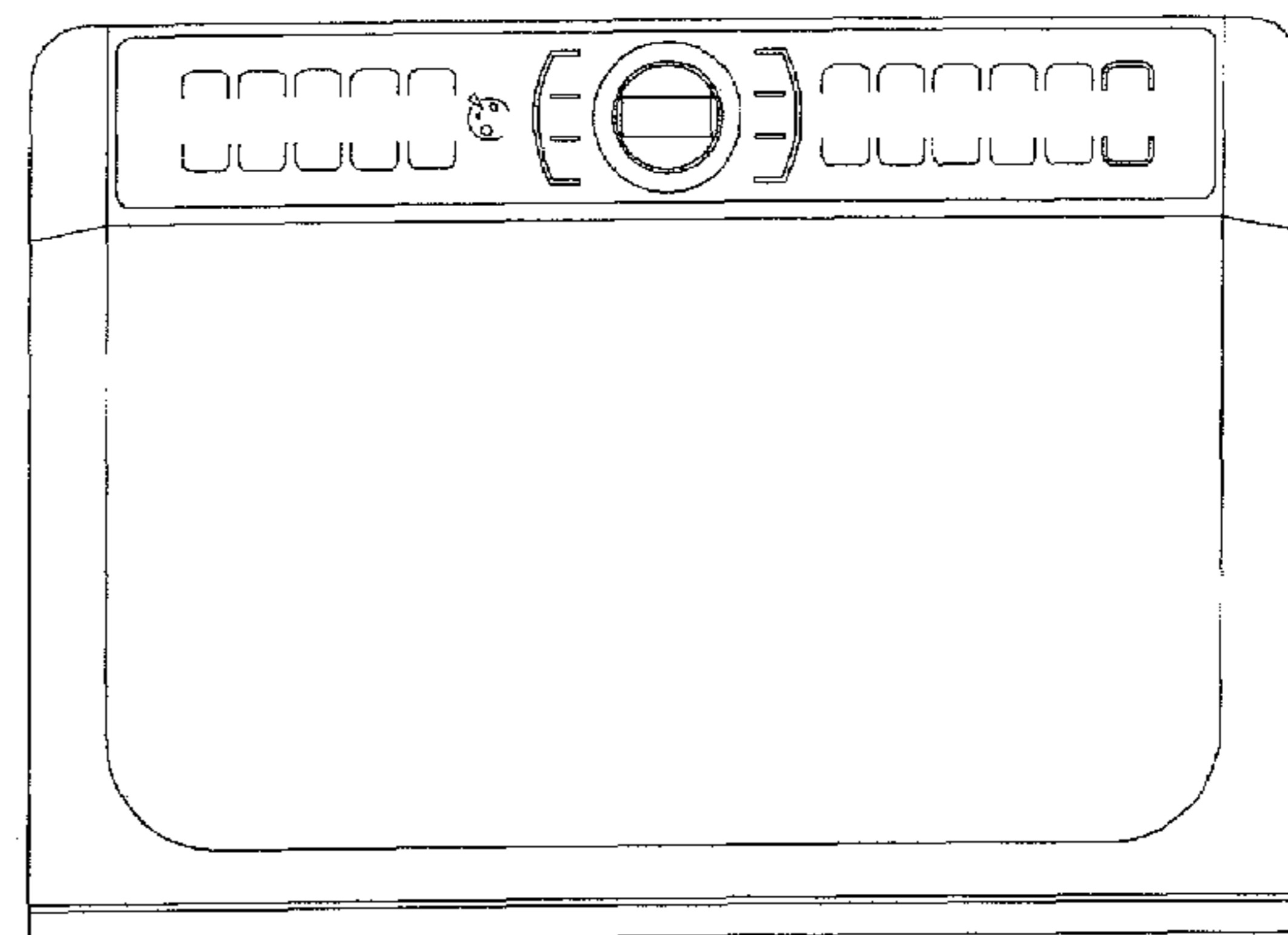
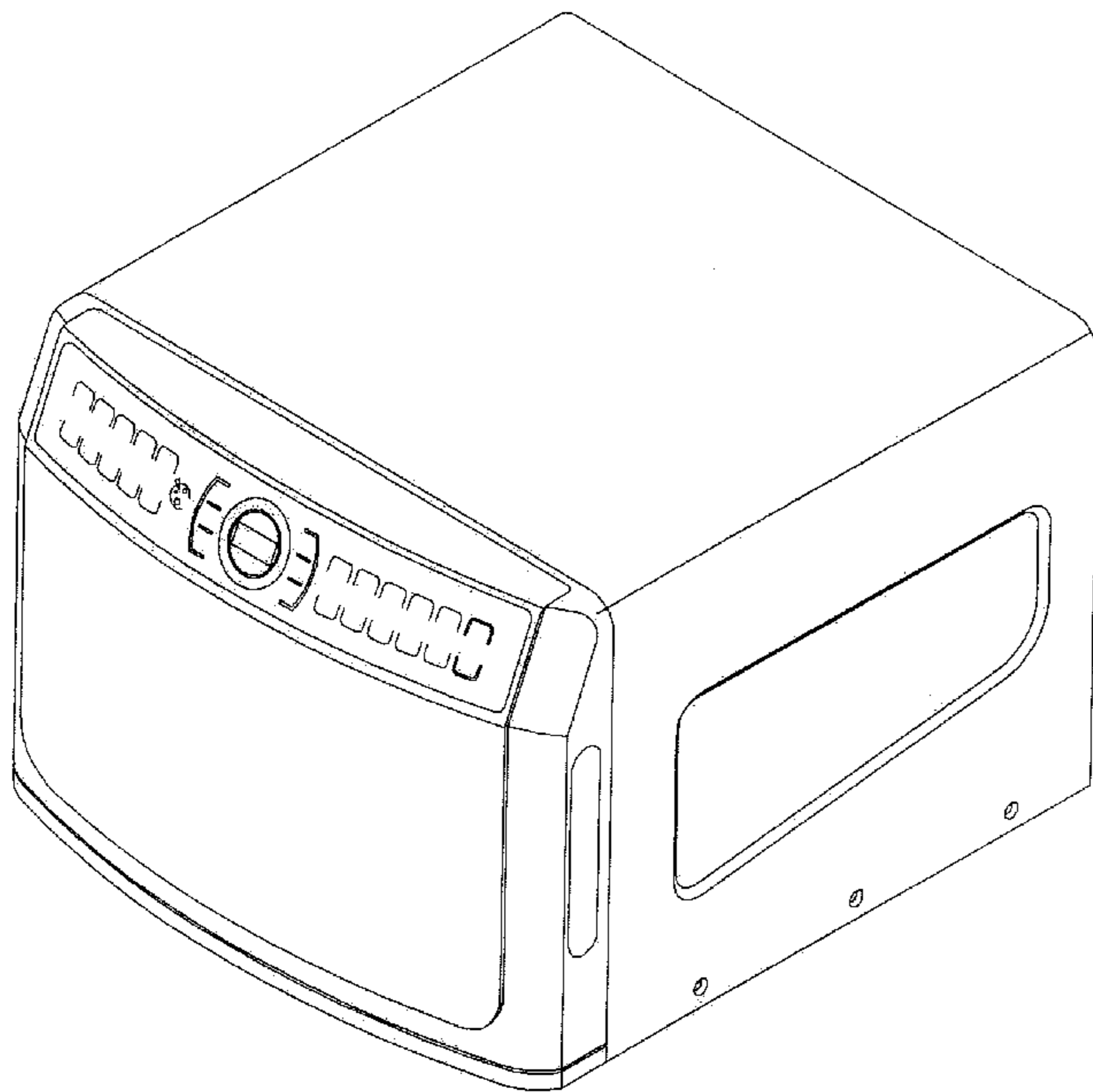


FIG. 1

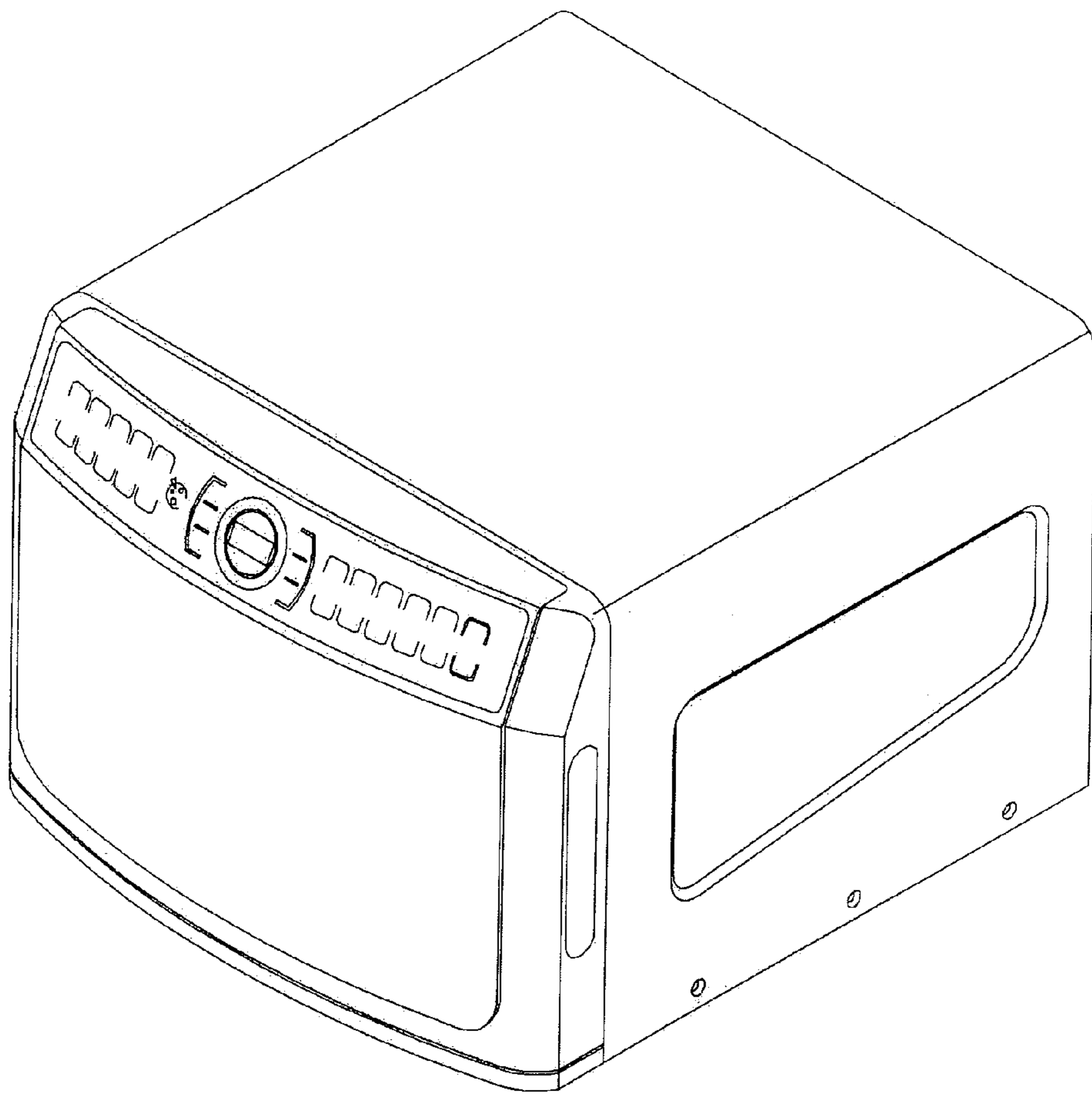


FIG. 2

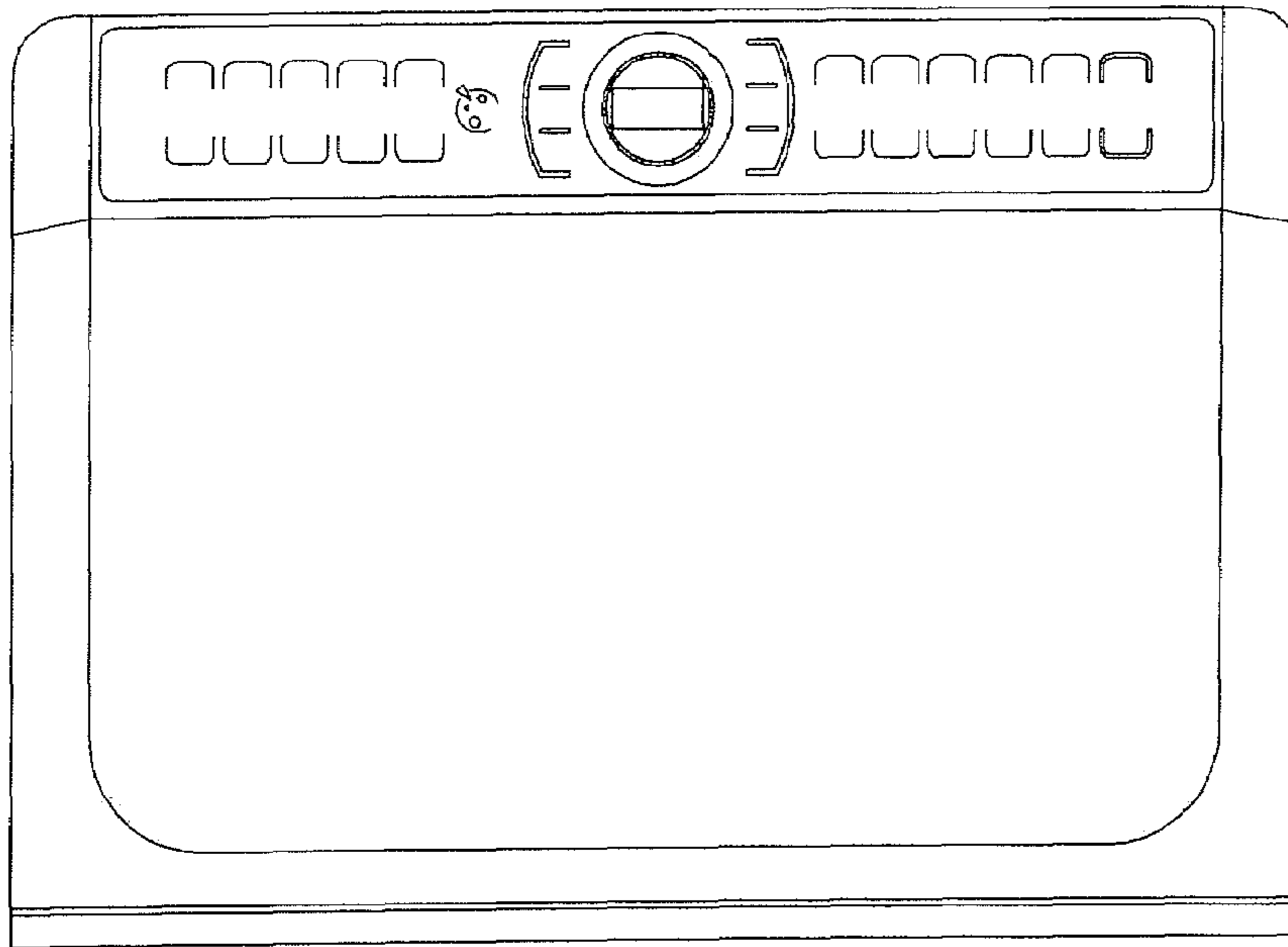


FIG. 3

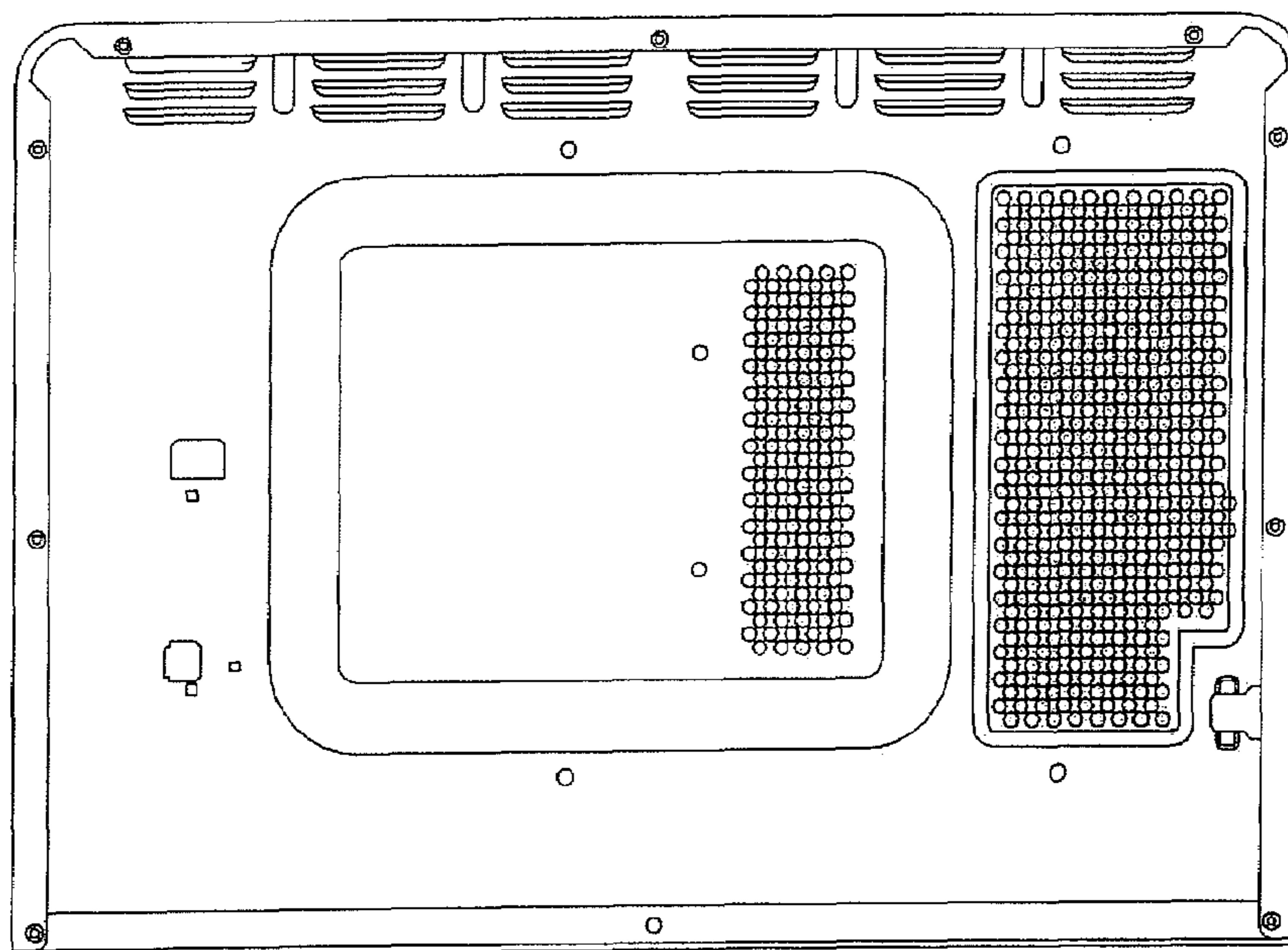


FIG. 4

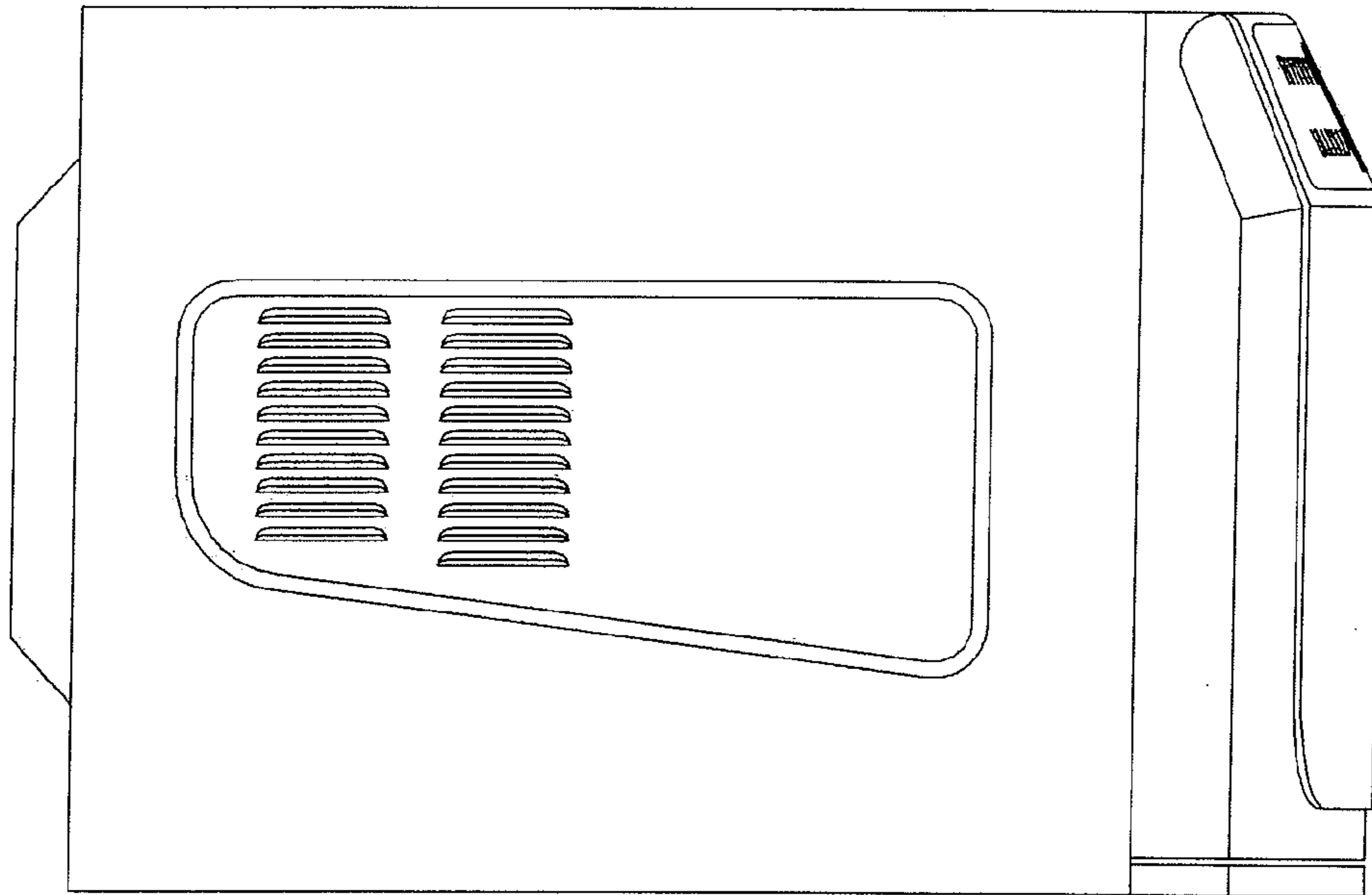


FIG. 5

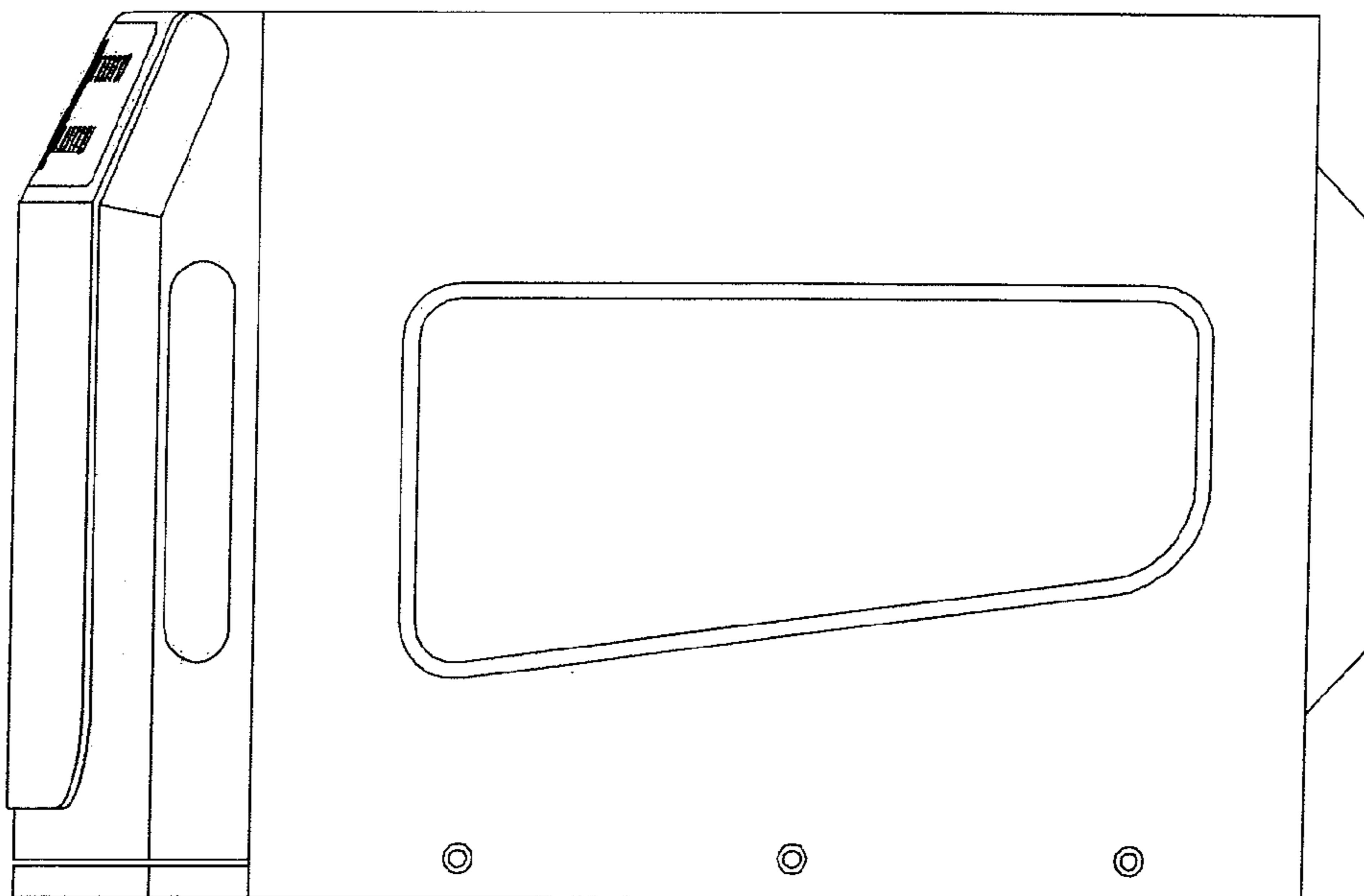


FIG. 6

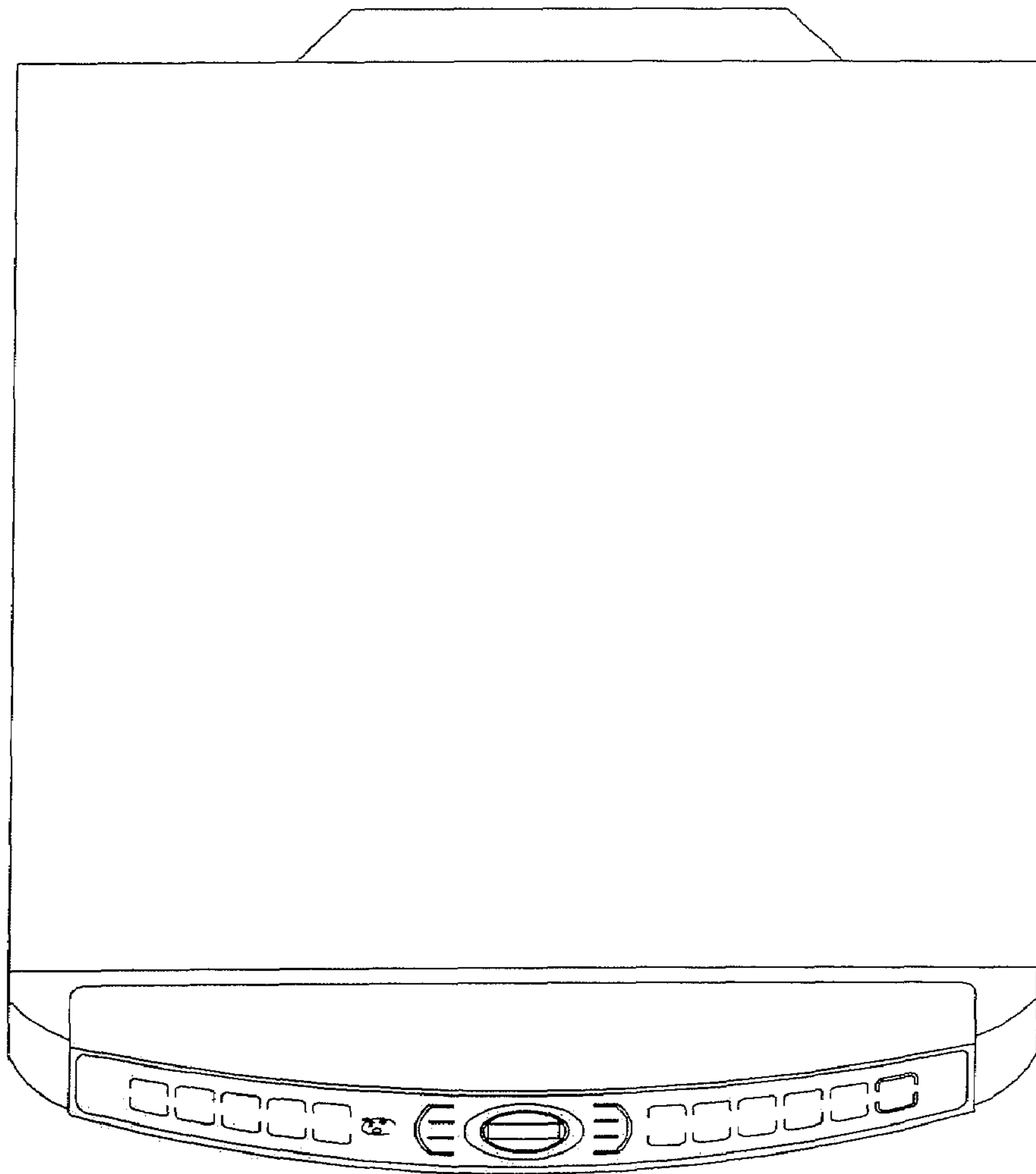


FIG. 7

