



US00D581197S

(12) **United States Design Patent**
Kassenaar

(10) **Patent No.:** **US D581,197 S**

(45) **Date of Patent:** **** Nov. 25, 2008**

(54) **WATER CHILLER**

(76) Inventor: **Anne Judith Kassenaar**, One
Cummings Point Road, Stamford, CT
(US) 06902

(**) Term: **14 Years**

(21) Appl. No.: **29/290,000**

(22) Filed: **Aug. 9, 2007**

(51) **LOC (8) Cl.** **07-01**

(52) **U.S. Cl.** **D7/306; D7/309**

(58) **Field of Classification Search** D7/300,
D7/306-308, 309-311, 305; 99/304, 300,
99/306, 307

See application file for complete search history.

(56) **References Cited**

U.S. PATENT DOCUMENTS

D431,145 S *	9/2000	Woebcke et al.	D7/306
D483,214 S *	12/2003	Holderfield et al.	D7/309
D513,681 S *	1/2006	Picozza et al.	D7/309
D543,770 S *	6/2007	Ye	D7/309
D546,112 S *	7/2007	Rorke et al.	D7/309
D563,142 S *	3/2008	Kauer	D7/306
D564,174 S *	3/2008	Iguchi	D34/34
D566,453 S *	4/2008	Schwamkrug	D7/309

D570,148 S *	6/2008	Garman	D7/306
D570,637 S *	6/2008	Glucksman et al.	D7/306
D571,597 S *	6/2008	Glucksman et al.	D7/306
D571,598 S *	6/2008	Moore	D7/306
D572,965 S *	7/2008	Steiner	D7/309

* cited by examiner

Primary Examiner—Marianne Pandozzi

(74) *Attorney, Agent, or Firm*—Lawrence Cruz

(57) **CLAIM**

The ornamental design for a water chiller, as shown.

DESCRIPTION

FIG. 1 is a perspective view of a water chiller showing a new design;

FIG. 2 is a front view thereof;

FIG. 3 is a rear view thereof;

FIG. 4 is a right side view thereof;

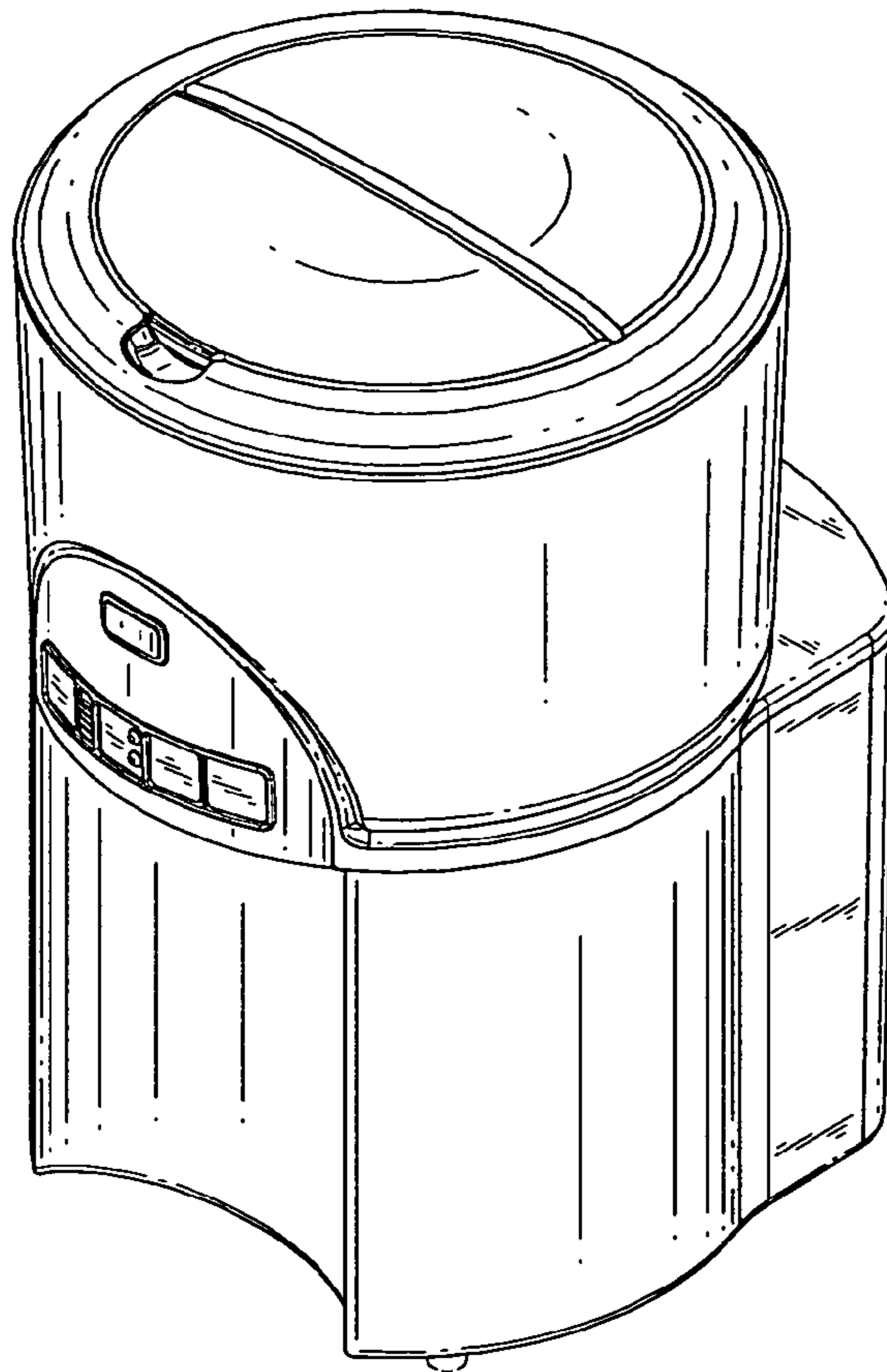
FIG. 5 is a left side view thereof;

FIG. 6 is a top view thereof; and,

FIG. 7 is a bottom view thereof.

The broken lines in the drawings are included for the purpose of illustration and form no part of the claimed design.

1 Claim, 3 Drawing Sheets



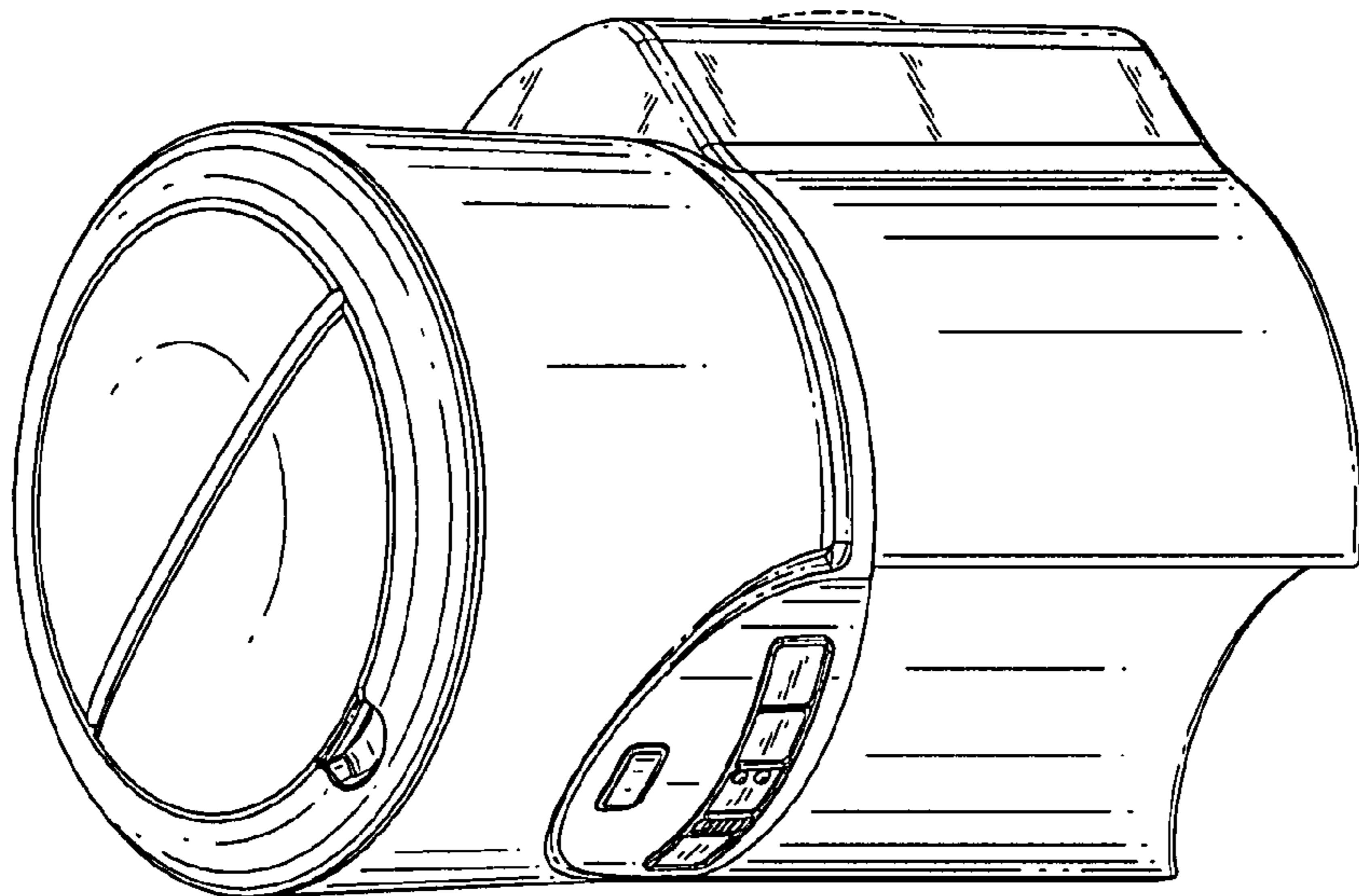


FIG. 1

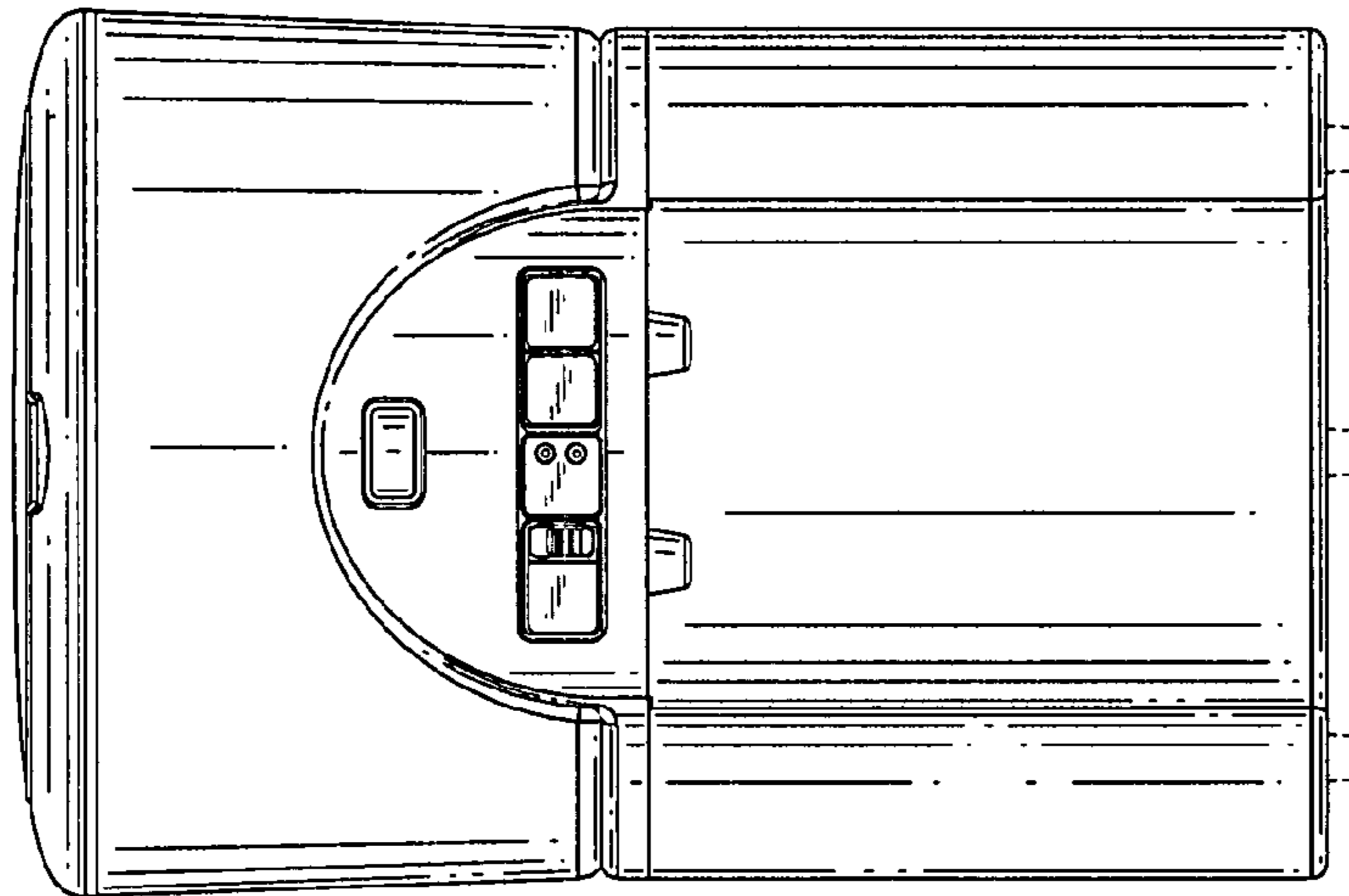


FIG. 2

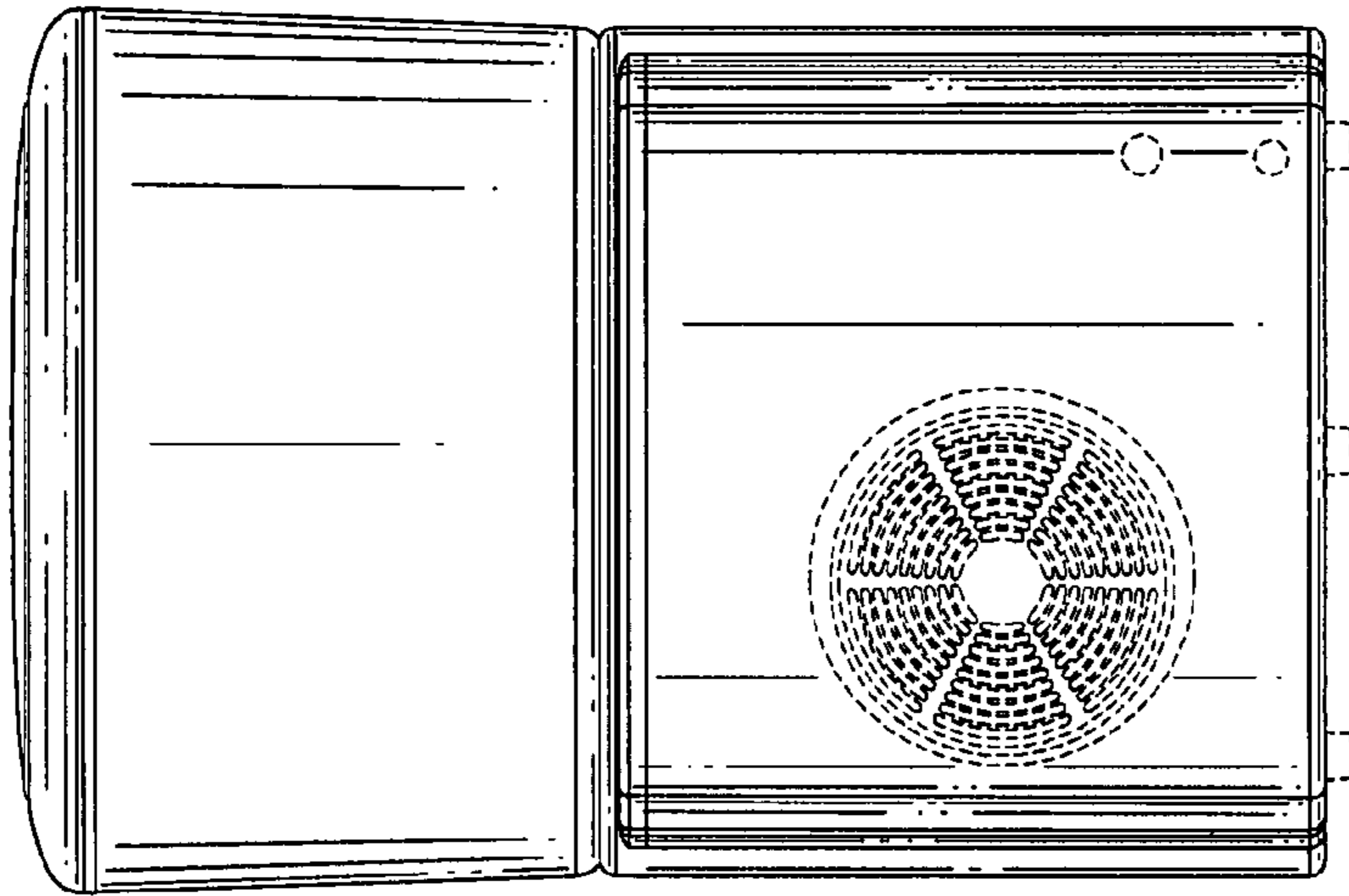


FIG. 3

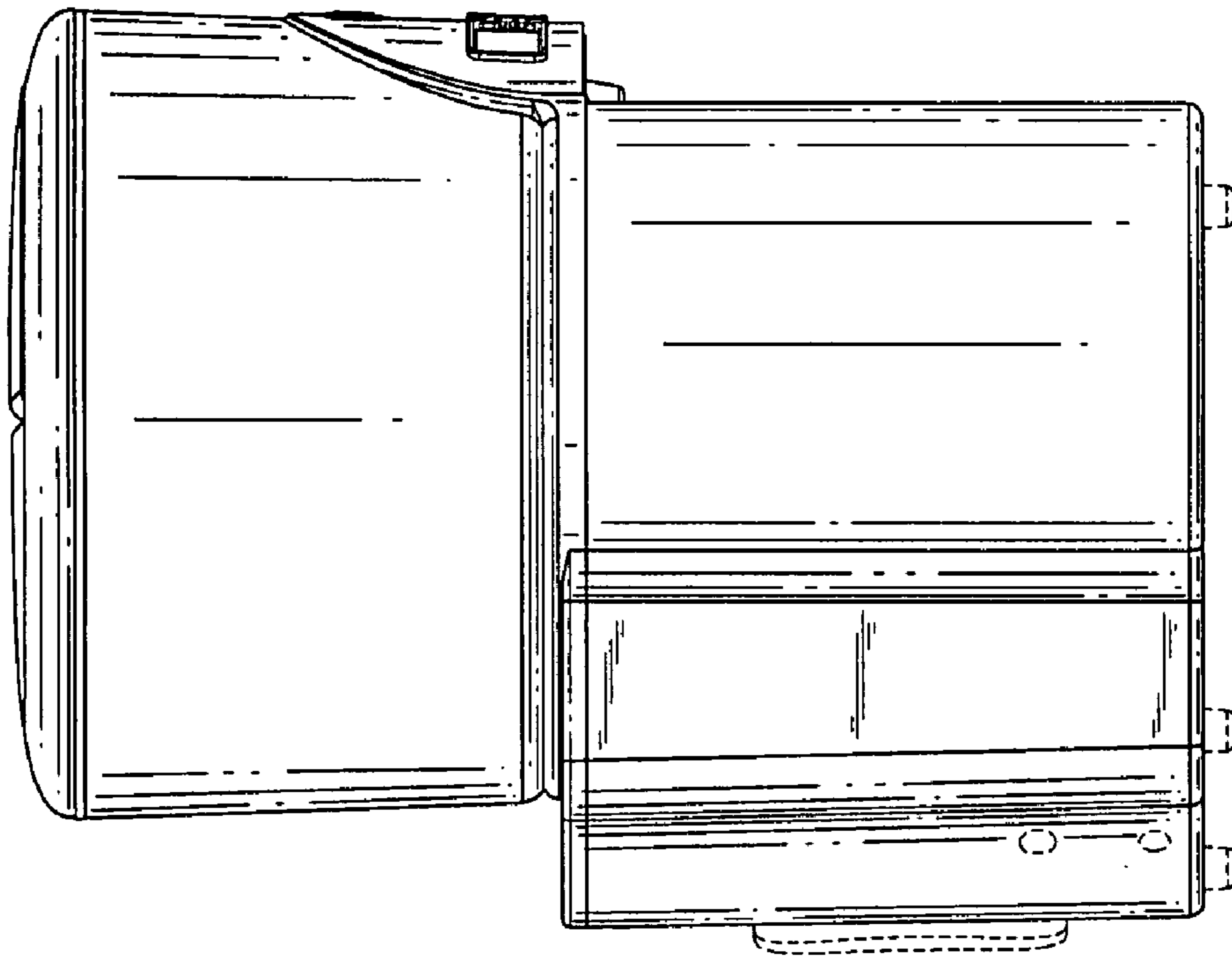


FIG. 5

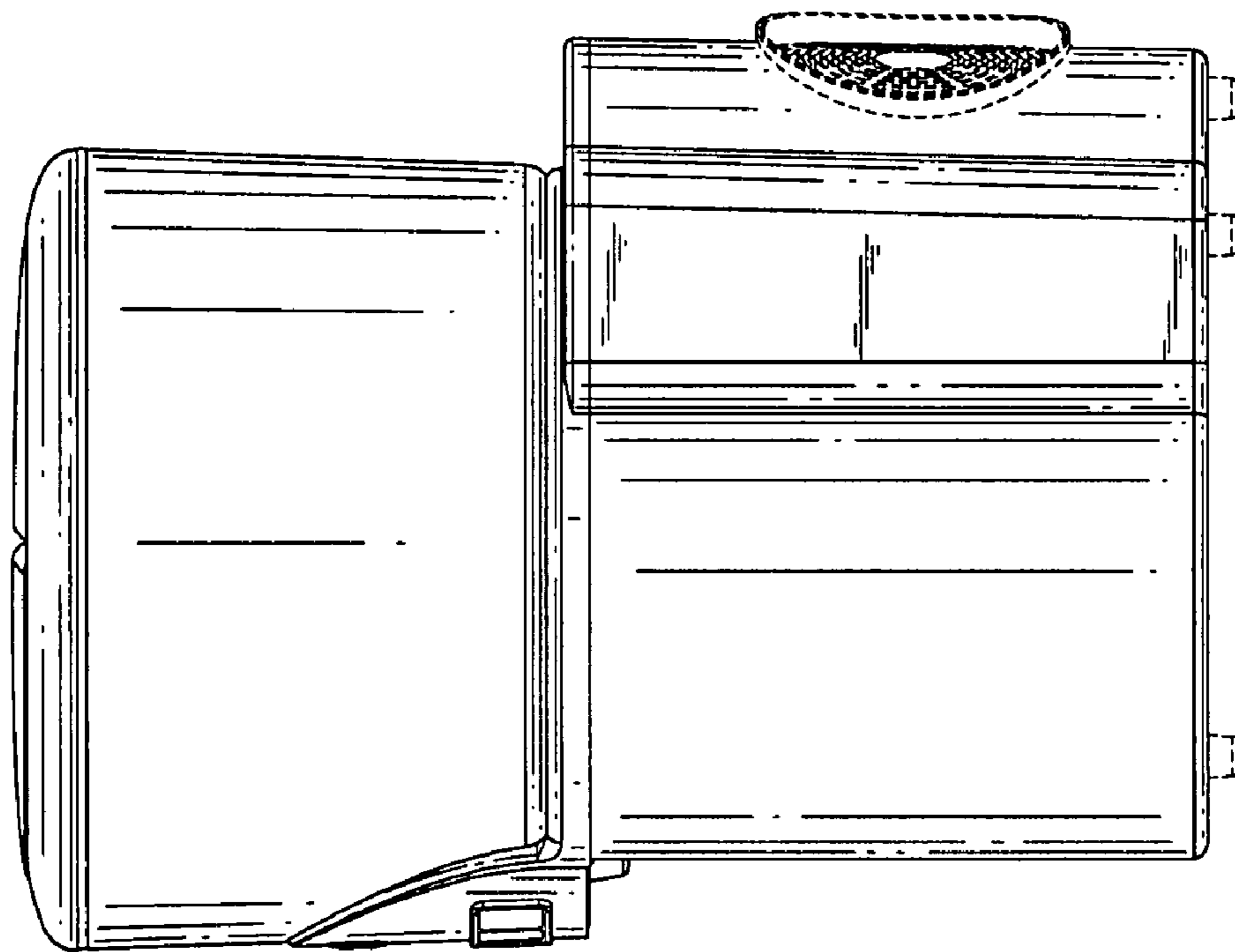


FIG. 4

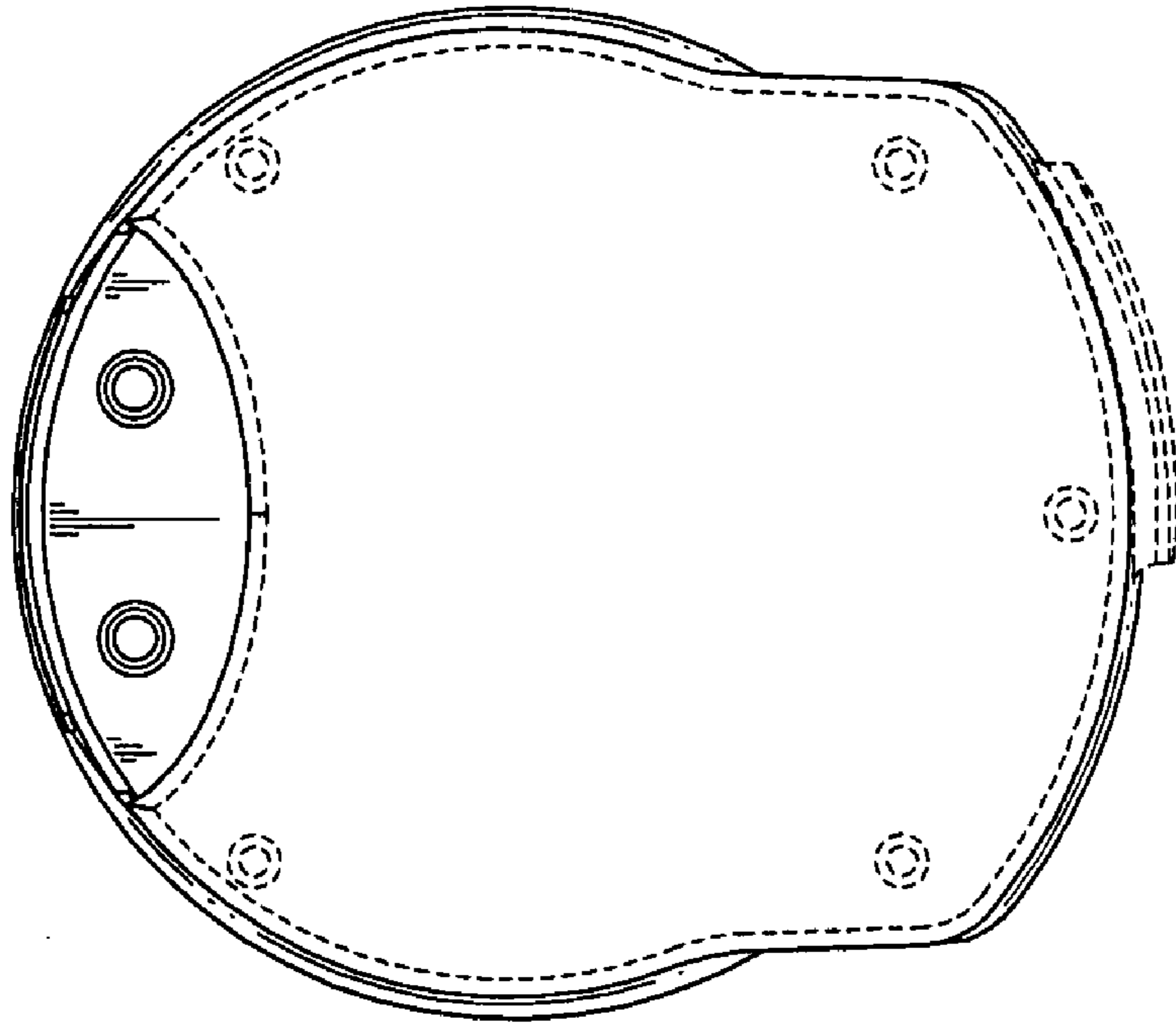


FIG. 7

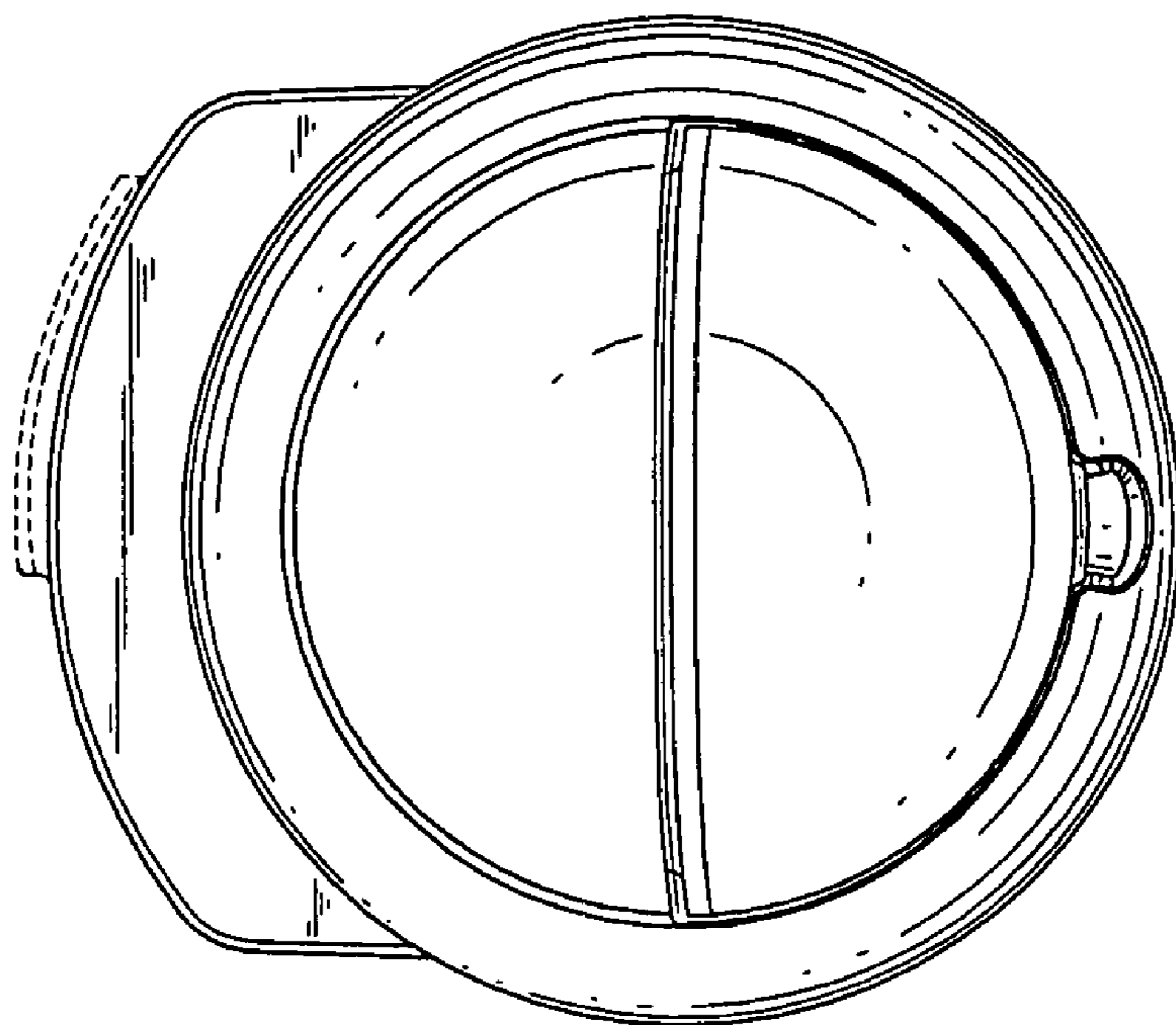


FIG. 6