



US00D581193S

(12) **United States Design Patent**
Ghiorghie

(10) **Patent No.:** **US D581,193 S**

(45) **Date of Patent:** **** Nov. 25, 2008**

(54) **SOAP DISPENSER**

(75) Inventor: **Radu Alexandru Ghiorghie**, Copley,
OH (US)

(73) Assignee: **InterDesign, Inc.**, Solon, OH (US)

(**) Term: **14 Years**

(21) Appl. No.: **29/301,416**

(22) Filed: **Feb. 28, 2008**

(51) **LOC (8) Cl.** **23-02**

(52) **U.S. Cl.** **D6/542**

(58) **Field of Classification Search** D6/542-545;
221/281-282; 222/14, 173, 146.3, 628, 251,
222/181.1, 181.3; D9/682, 688, 690, 691,
D9/448, 449

See application file for complete search history.

(56) **References Cited**

U.S. PATENT DOCUMENTS

D477,778 S	7/2003	Dretzka	
D477,990 S	8/2003	Dretzka	
D477,991 S	8/2003	Dretzka	
D480,642 S	10/2003	Dretzka	
D480,643 S	10/2003	Dretzka	
D484,039 S	12/2003	Dretzka	
D484,401 S	12/2003	Dretzka	
D488,716 S	4/2004	Dretzka	
D489,617 S	5/2004	Snell	
D525,534 S	7/2006	Snell	
D530,954 S *	10/2006	Snell D6/542
D531,843 S	11/2006	Snell	
D531,844 S	11/2006	Snell	
D537,360 S	2/2007	Snell	
D537,361 S	2/2007	Dretzka	
D538,092 S	3/2007	Snell	
D538,177 S	3/2007	Dretzka	

D551,087 S	9/2007	Snell	
D554,410 S *	11/2007	Snell D6/542
D559,600 S *	1/2008	Snell D6/542
D563,703 S *	3/2008	Duncan D6/542
D563,704 S *	3/2008	Snell D6/542

OTHER PUBLICATIONS

InterDesign, Inc. Product Brochure—2003, pp. 5, 6, 9, 10, 14-16, 20,
22, 24, 43, 46 (w/front cover).

InterDesign, Inc. Product Brochure—2004, p. 28 (w/front and back
covers).

* cited by examiner

Primary Examiner—Brian N Vinson

(74) *Attorney, Agent, or Firm*—D. Peter Hochberg; Sean F.
Mellino; Daniel J. Smola

(57) **CLAIM**

The ornamental design for a soap dispenser, as shown and
described.

DESCRIPTION

FIG. 1 is a perspective view of the soap dispenser according
to the invention;

FIG. 2 is a top view of the soap dispenser as shown in FIG. 1;

FIG. 3 is a side view of the soap dispenser as shown in FIG. 1;

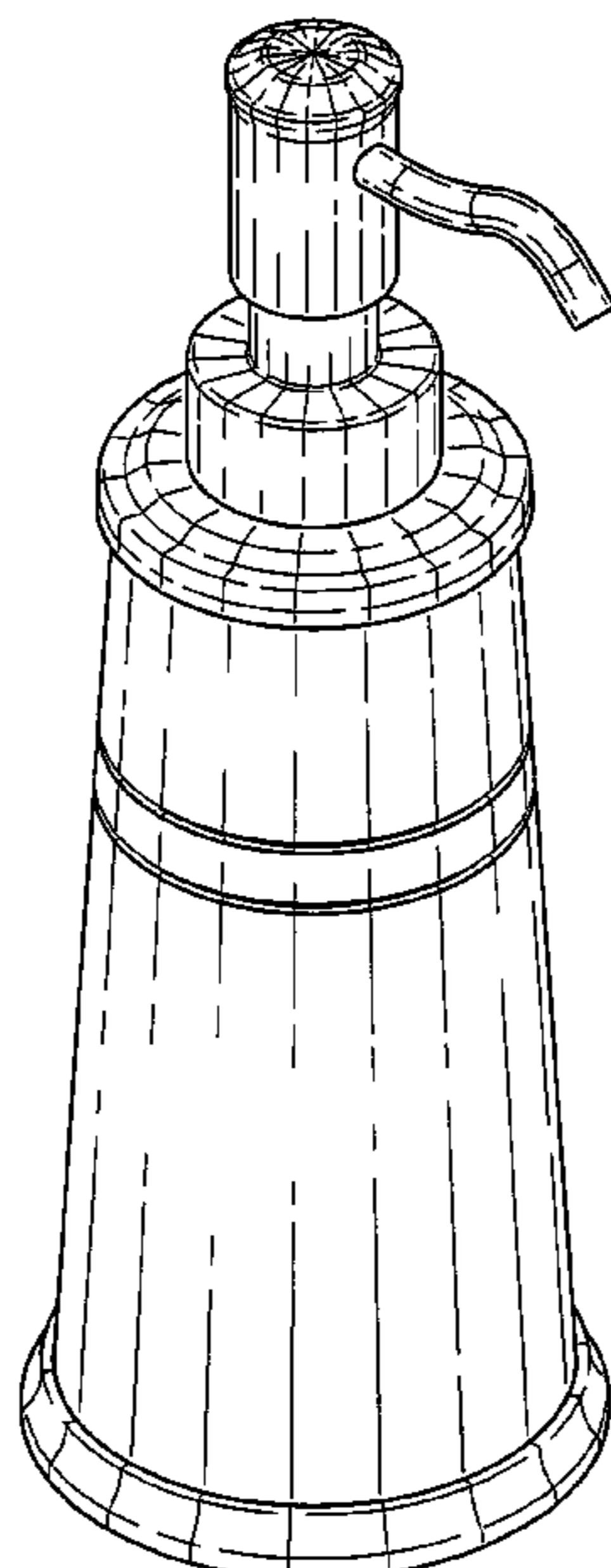
FIG. 4 is a front view of the soap dispenser as shown in FIG.
1;

FIG. 5 is a side view of the soap dispenser as shown in FIG. 1,
viewed from the opposite side of that shown in FIG. 3;

FIG. 6 is a rear view of the soap dispenser as shown in FIG. 1;
and,

FIG. 7 is a bottom view of the soap dispenser as shown in FIG.
1.

1 Claim, 3 Drawing Sheets



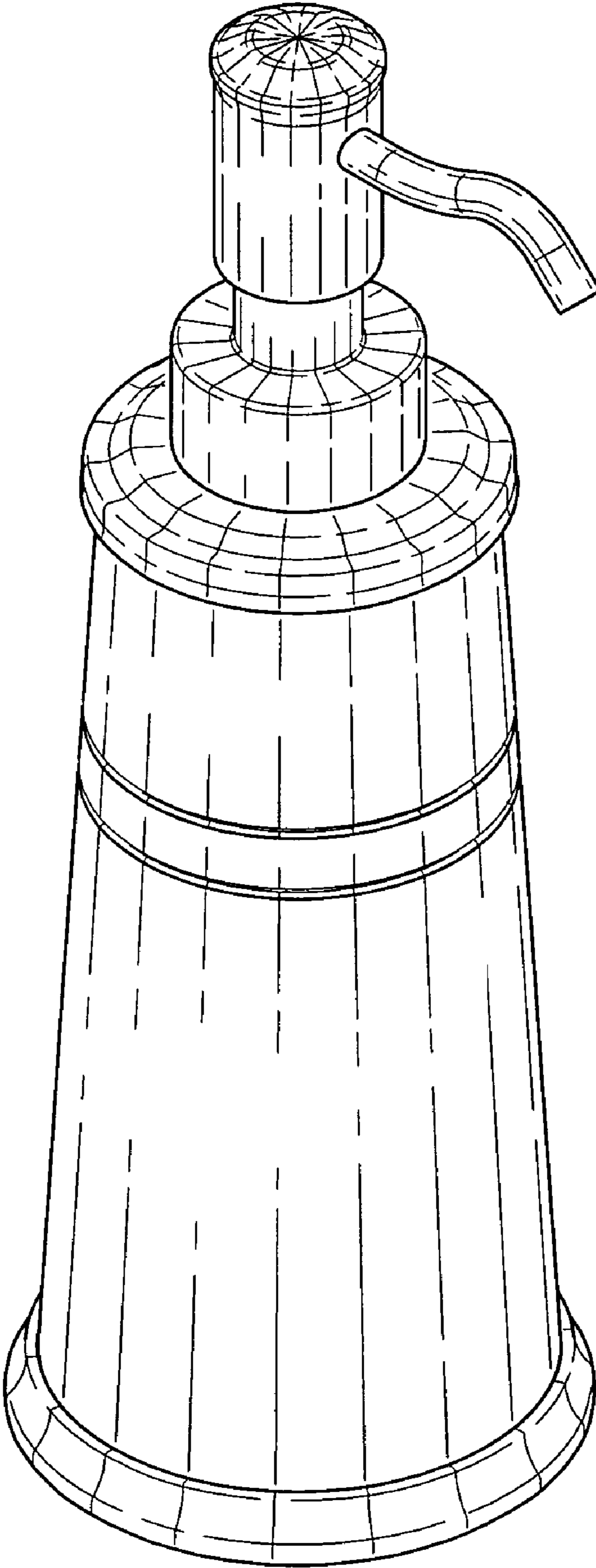


FIG-1

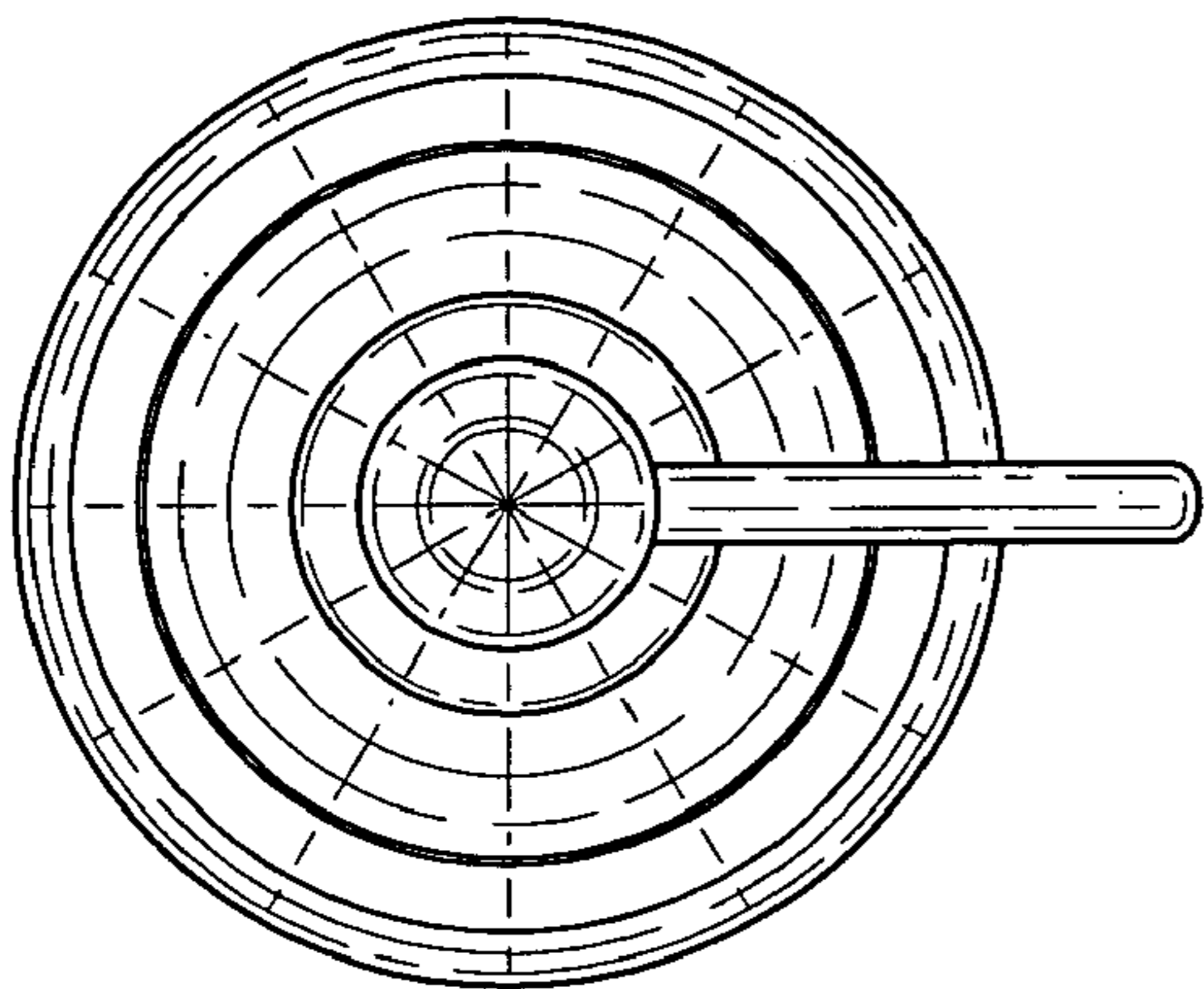


FIG-2

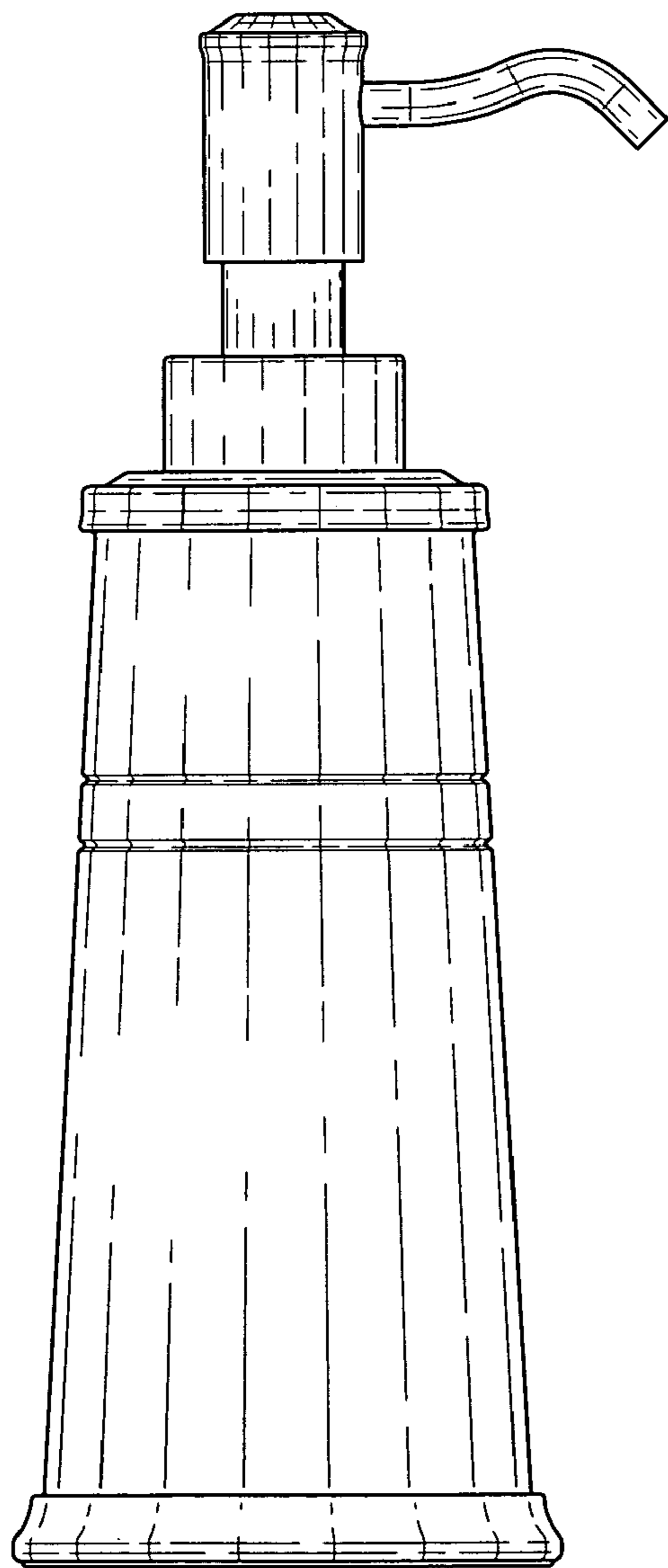


FIG-3

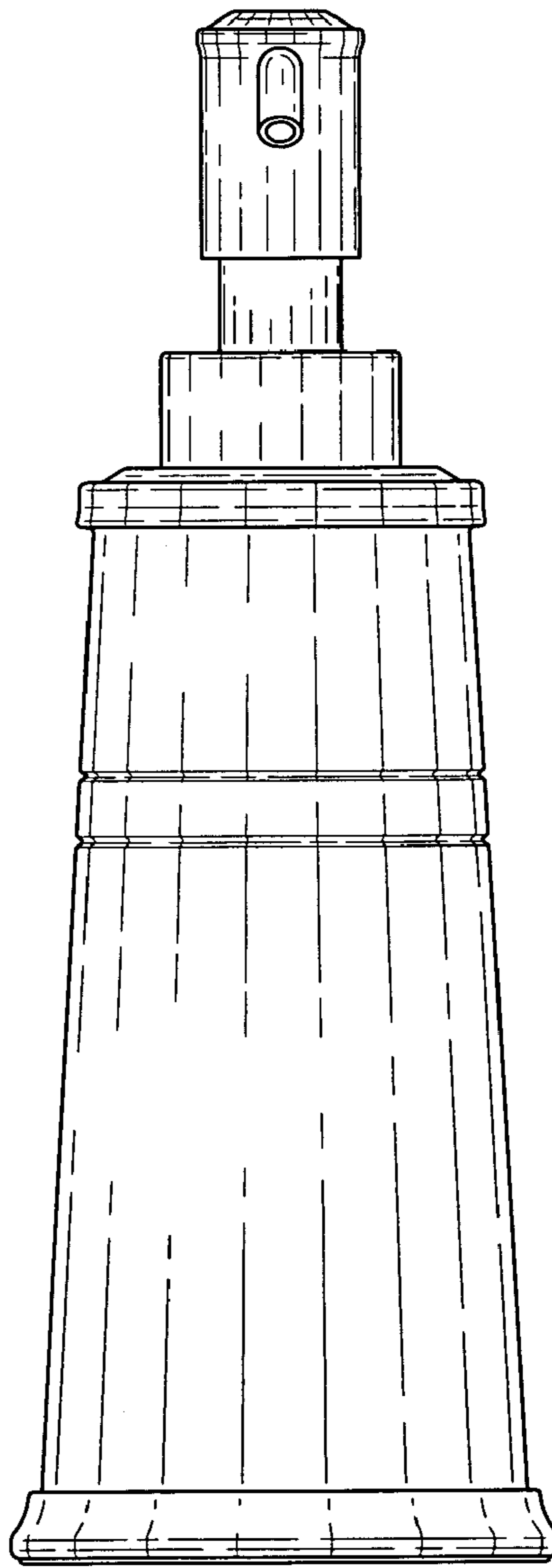


FIG-4

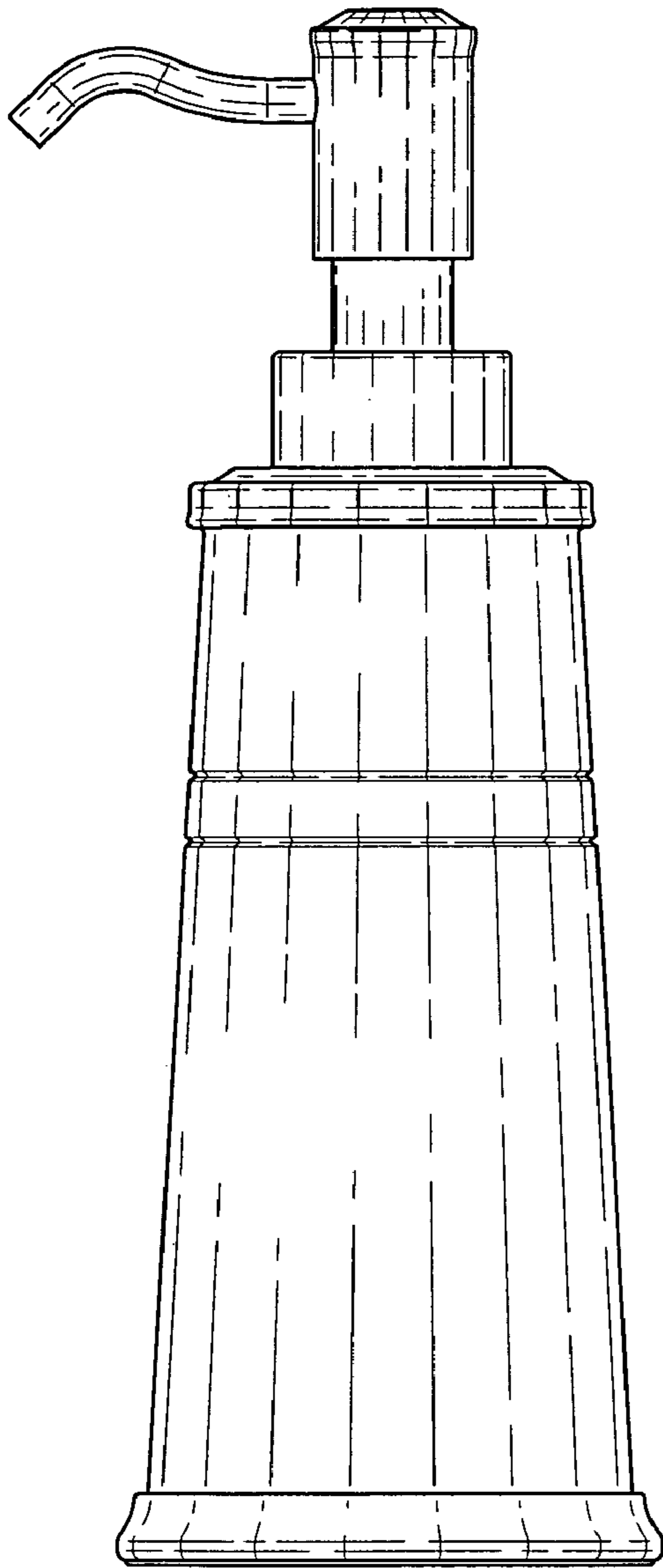


FIG-5

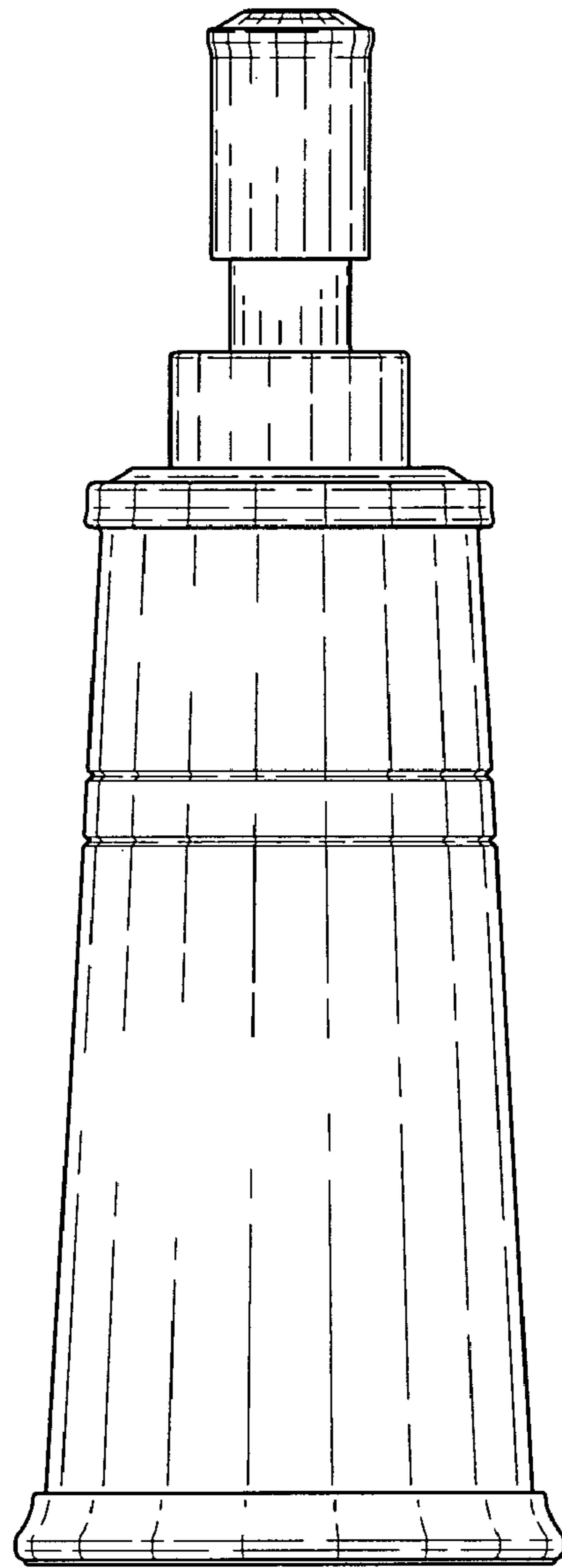


FIG-6

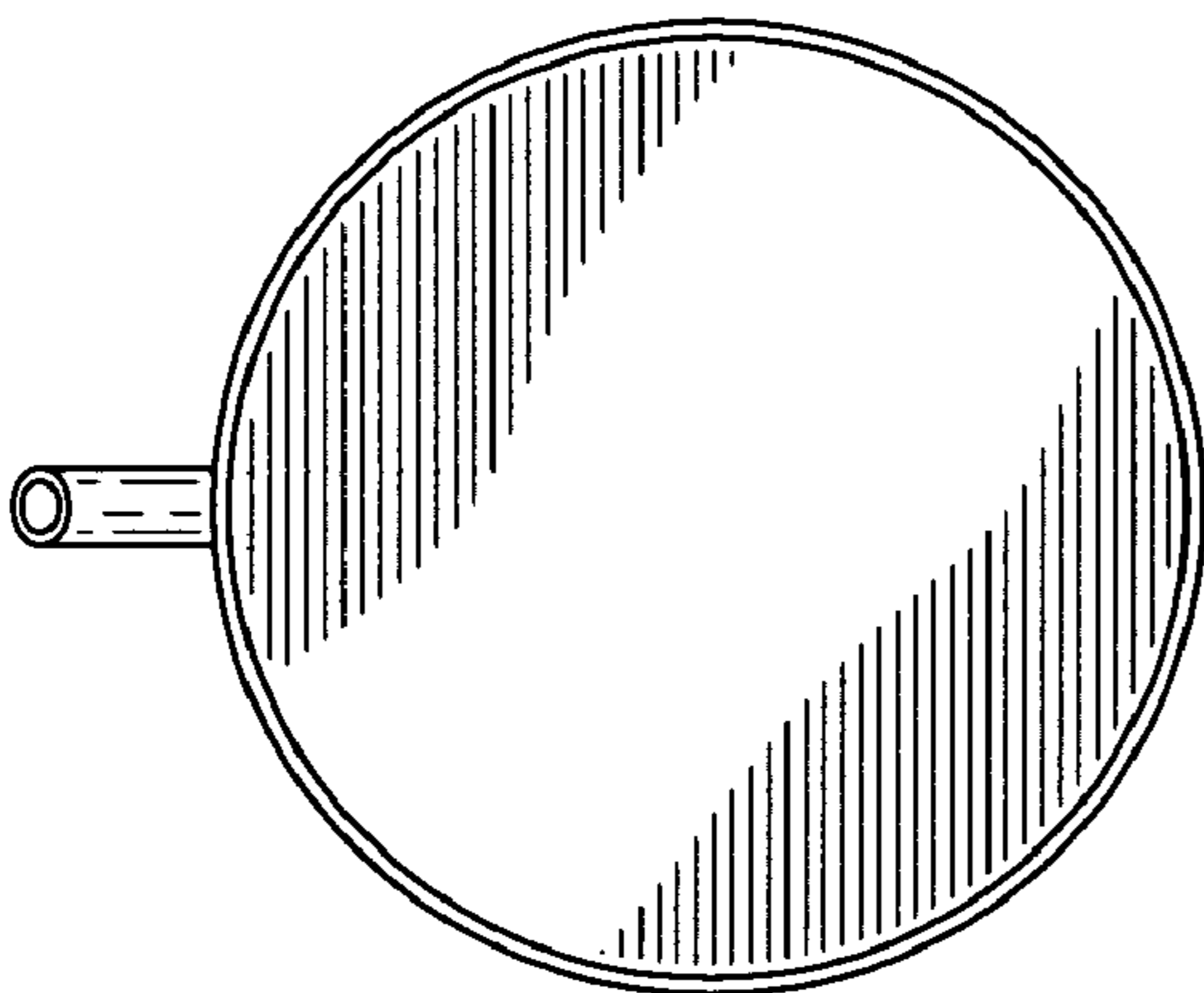


FIG-7