



US00D581190S

(12) **United States Design Patent**
Stoller

(10) **Patent No.:** **US D581,190 S**

(45) **Date of Patent:** **** Nov. 25, 2008**

(54) **TABLE**

(75) Inventor: **Evan Stoller**, Chatham, NY (US)

(73) Assignee: **Stoller Architecture**, Chatham, NY (US)

(**) Term: **14 Years**

(21) Appl. No.: **29/298,742**

(22) Filed: **Dec. 12, 2007**

(51) **LOC (8) Cl.** **06-06**

(52) **U.S. Cl.** **D6/495**

(58) **Field of Classification Search** D6/480-489,
D6/495-499, 429-431, 511, 419, 420; 108/150,
108/153.1, 156, 157.1, 161; 248/188, 188.1,
248/188.8

See application file for complete search history.

(56) **References Cited**

U.S. PATENT DOCUMENTS

- D271,354 S * 11/1983 Lerner et al. D6/480
- D299,196 S * 1/1989 Frinier D6/499
- D345,476 S * 3/1994 Burdick et al. D6/495

D376,712 S * 12/1996 Mezger D6/487

* cited by examiner

Primary Examiner—Janice E Seeger

(74) *Attorney, Agent, or Firm*—Gottlieb, Rackman & Reisman, PC

(57) **CLAIM**

The ornamental design for a table, as shown and described.

DESCRIPTION

FIG. 1 is a perspective view of a table, showing my new design;

FIG. 2 is a front elevational view, the rear being identical thereto;

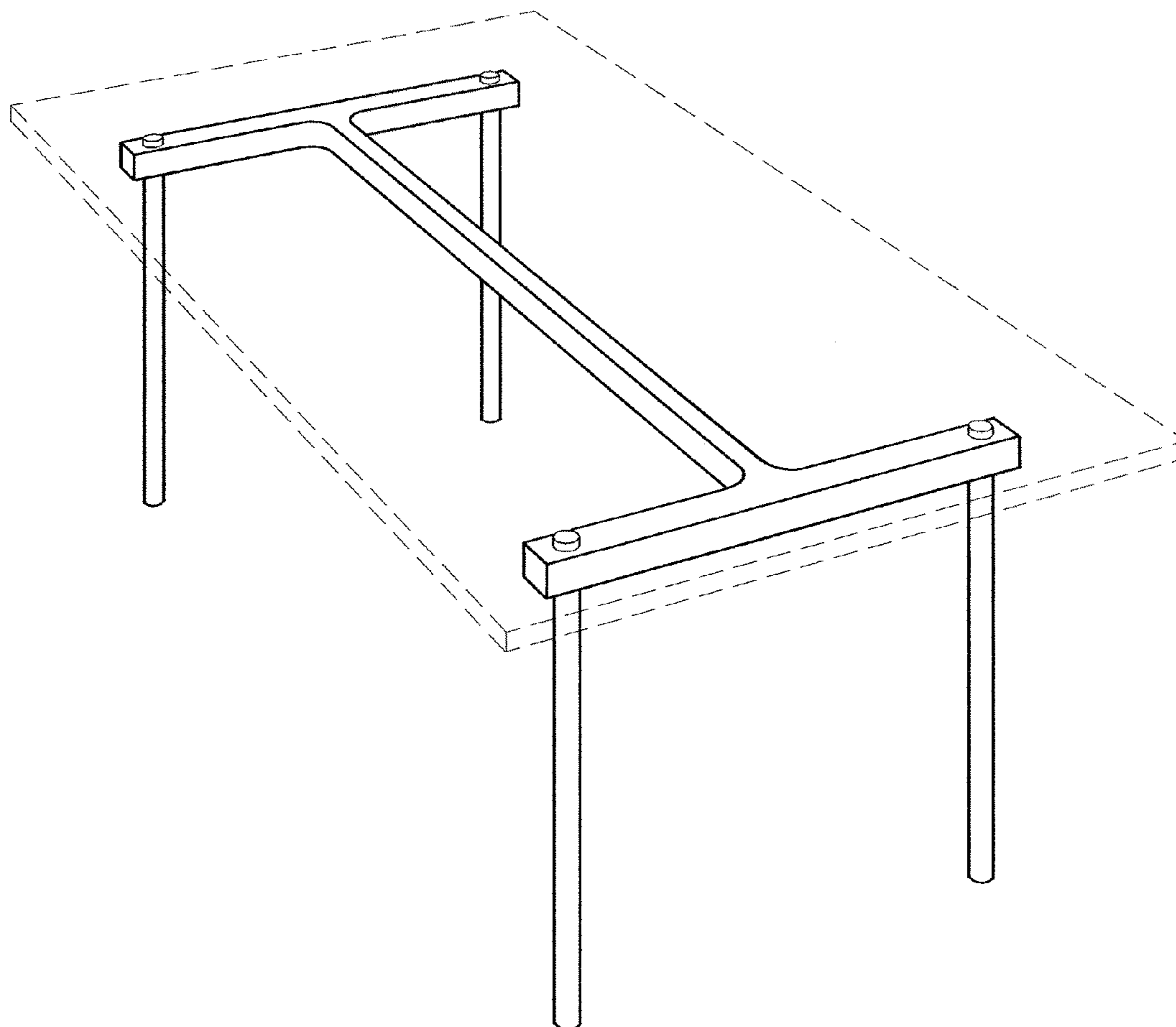
FIG. 3 is a left side elevational view, the right side being a mirror image thereof;

FIG. 4 is a top plan view; and,

FIG. 5 is a bottom plan view thereof.

The broken lines are for environmental purposes only and form no part of the claimed design.

1 Claim, 4 Drawing Sheets



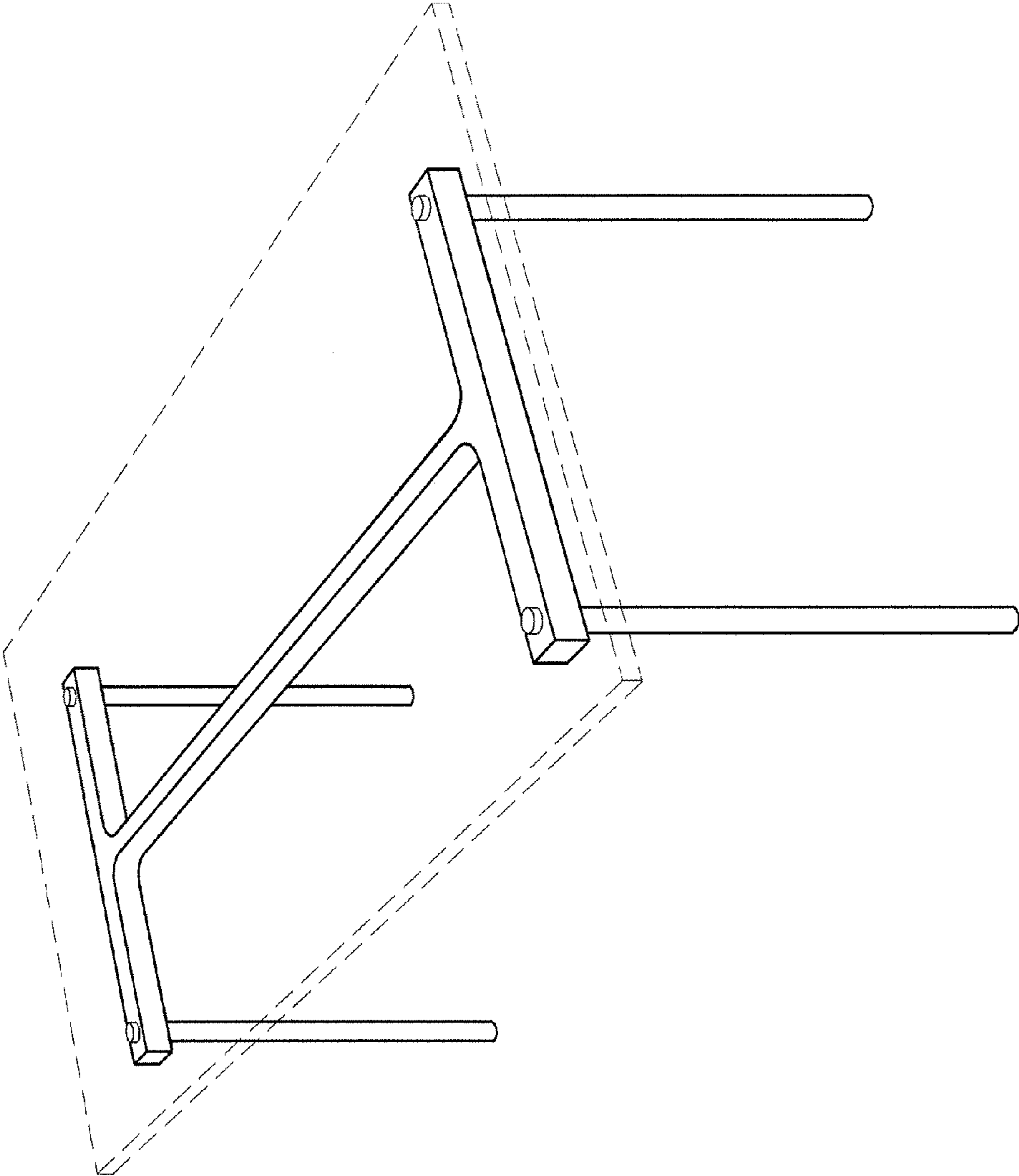


Fig. 1

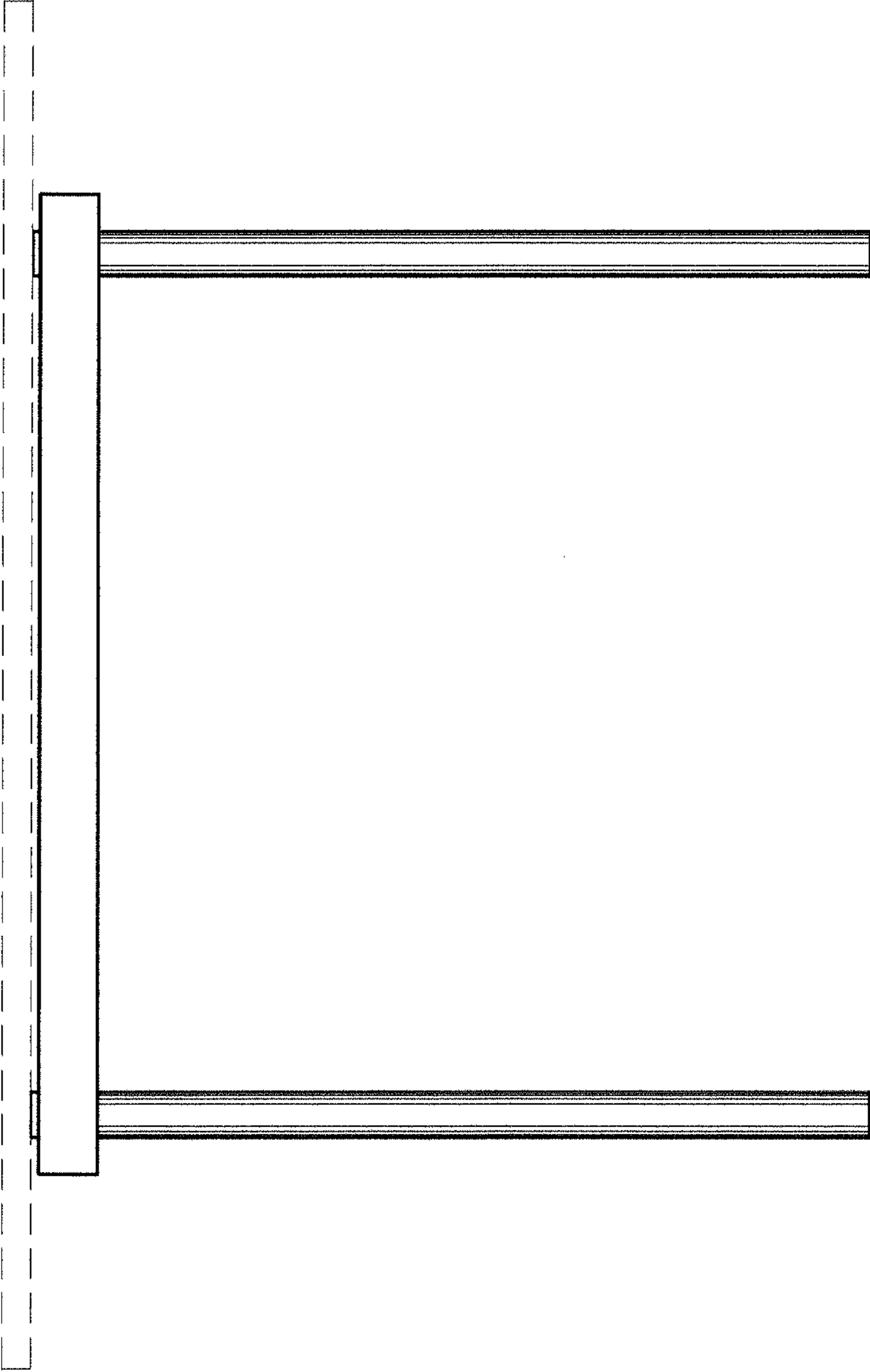


Fig. 2

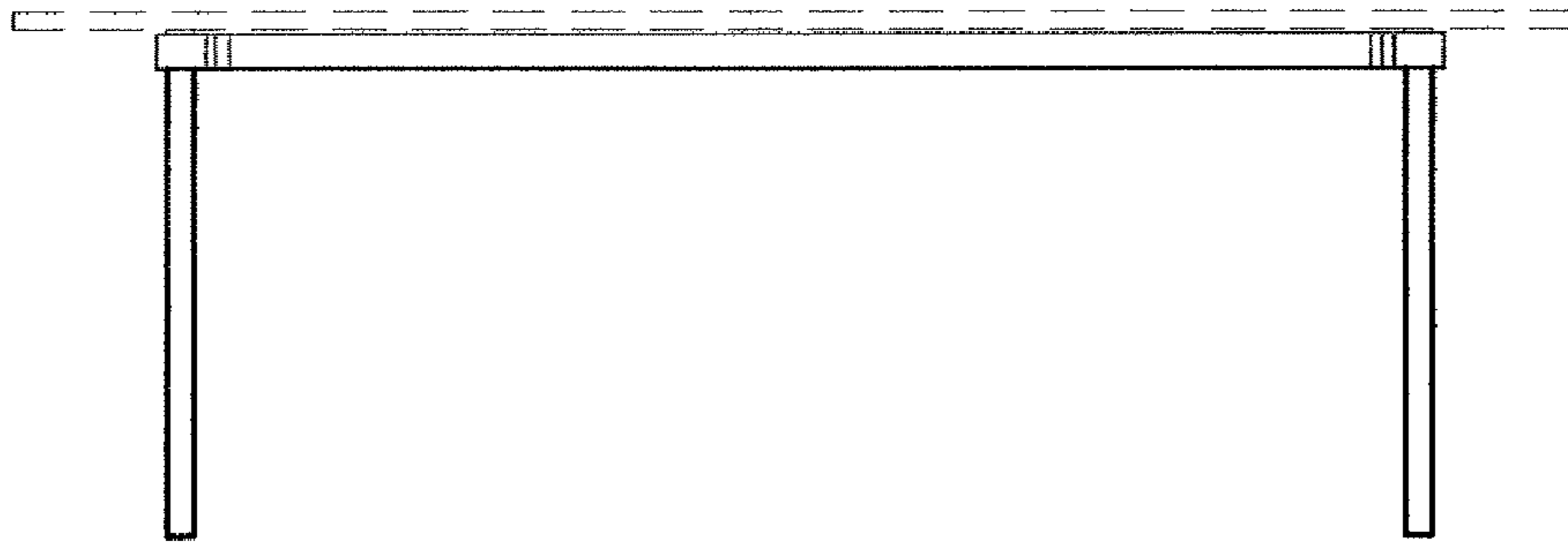


Fig. 3

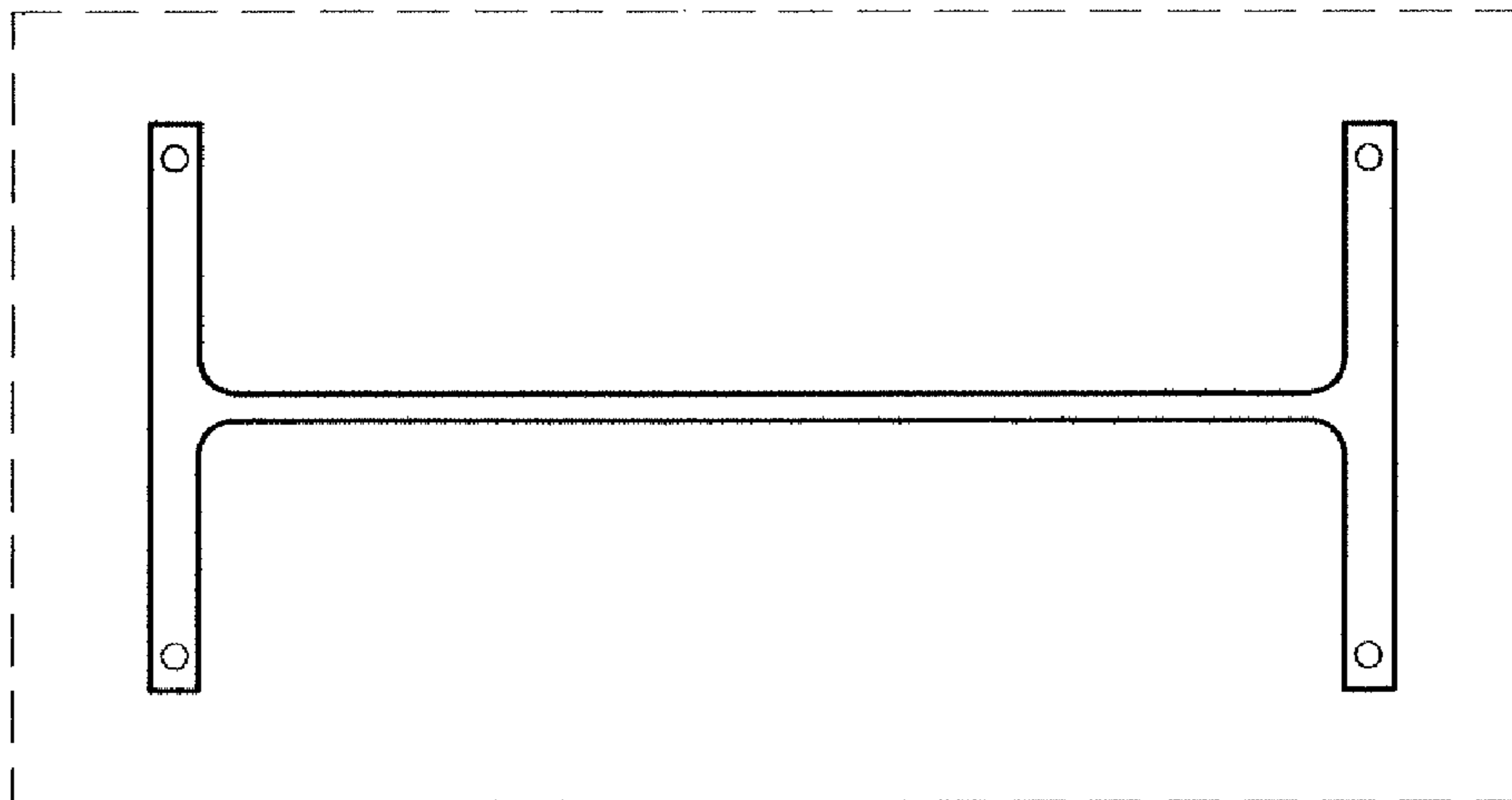


Fig. 4

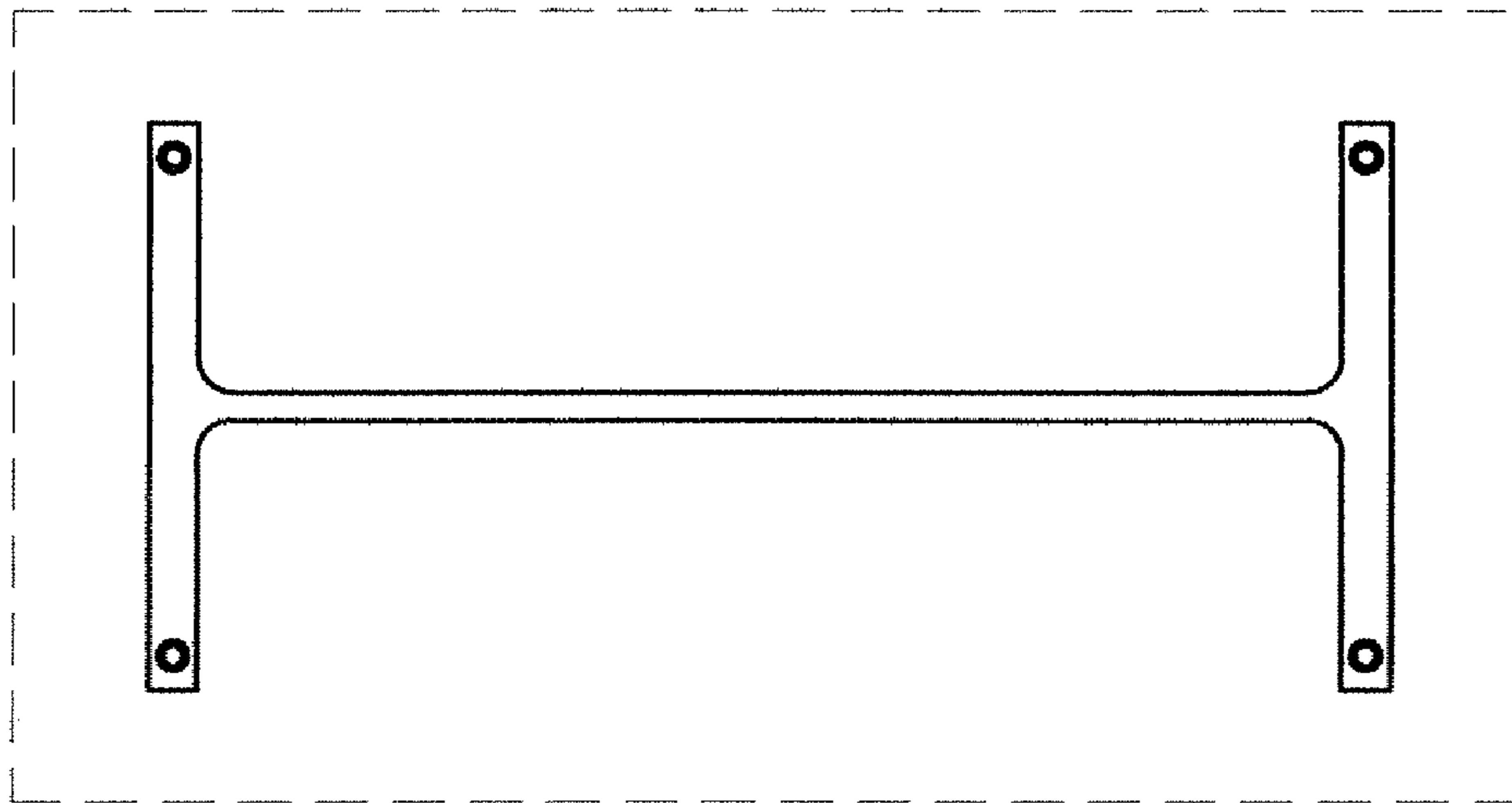


Fig. 5