



US00D581189S

(12) **United States Design Patent**
Nazaretyan

(10) **Patent No.:** **US D581,189 S**

(45) **Date of Patent:** **** Nov. 25, 2008**

(54) **WHEEL-MOUNTED CADDY**

(76) Inventor: **Syuzanna Nazaretyan**, 1343 N. New Hampshire Ave., Los Angeles, CA (US) 90027

(**) Term: **14 Years**

(21) Appl. No.: **29/282,668**

(22) Filed: **Jul. 26, 2007**

(51) **LOC (8) Cl.** **06-03**

(52) **U.S. Cl.** **D6/486**

(58) **Field of Classification Search** D6/480-489, D6/495-499, 429-431, 511, 419, 420; 108/150, 108/153.1, 156, 157.1, 161; 248/188, 188.1, 248/188.8

See application file for complete search history.

(56) **References Cited**

U.S. PATENT DOCUMENTS

522,221 A * 7/1894 Lucashevski 108/150
D28,366 S * 3/1898 Ehrlich D6/455
1,545,894 A * 7/1925 Hall 108/150

D90,848 S * 10/1933 Karl et al. D6/498
D148,479 S 1/1948 Miller et al.
3,223,432 A 12/1965 Nicilaci
4,008,671 A 2/1977 Baldini
D546,096 S * 7/2007 Kreiss D6/480
D563,122 S * 3/2008 Kreiss D6/480

* cited by examiner

Primary Examiner—Janice E Seeger

(57) **CLAIM**

The ornamental design for a wheel-mounted caddy, as shown and described.

DESCRIPTION

FIG. 1 is a front elevation view of a wheel-mounted caddy showing my new design;

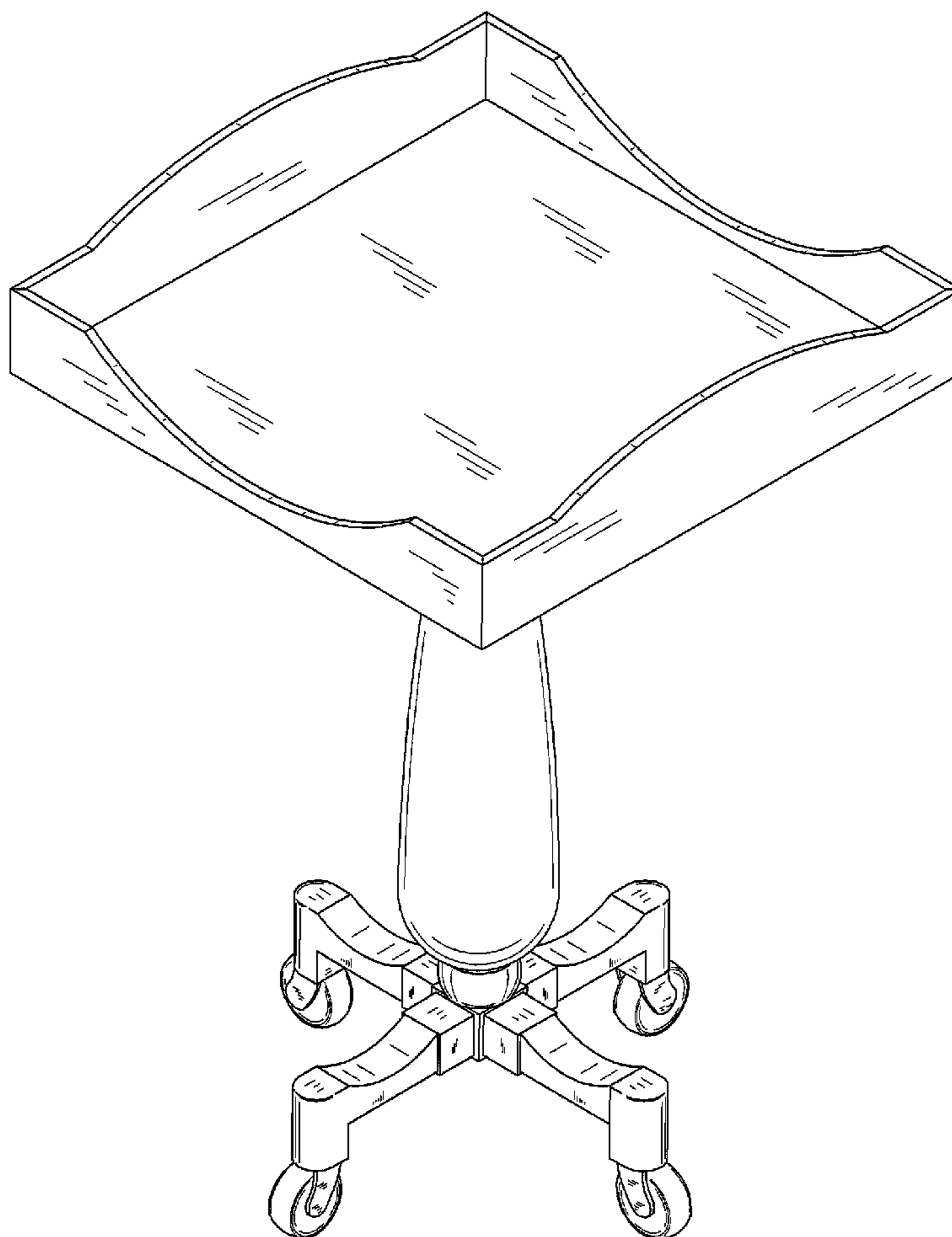
FIG. 2 is a rear elevation view;

FIG. 3 is a top plan view;

FIG. 4 is a bottom plan view; and,

FIG. 5 is an isometric view of a wheel-mounted caddy.

1 Claim, 3 Drawing Sheets



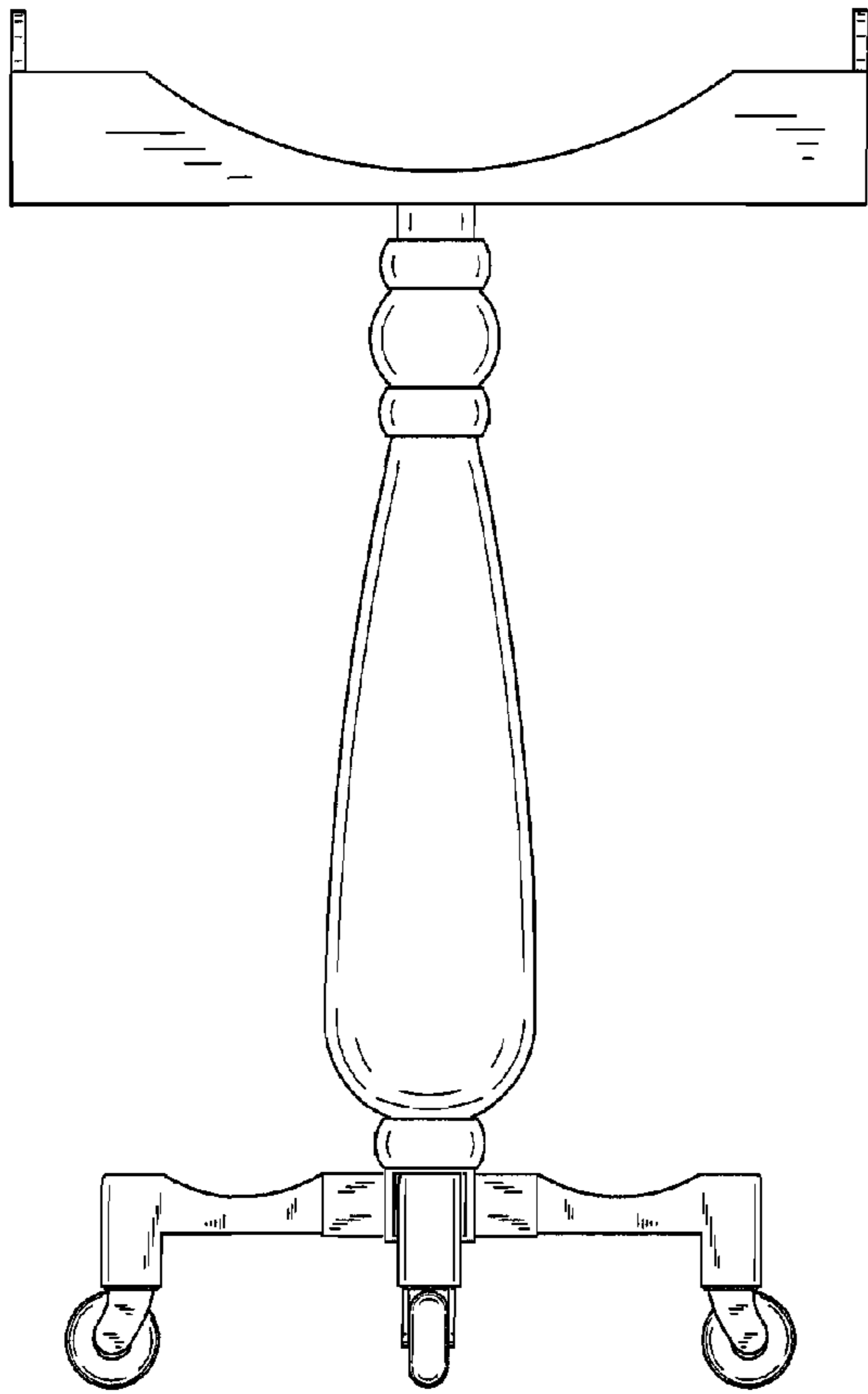


FIG. 1

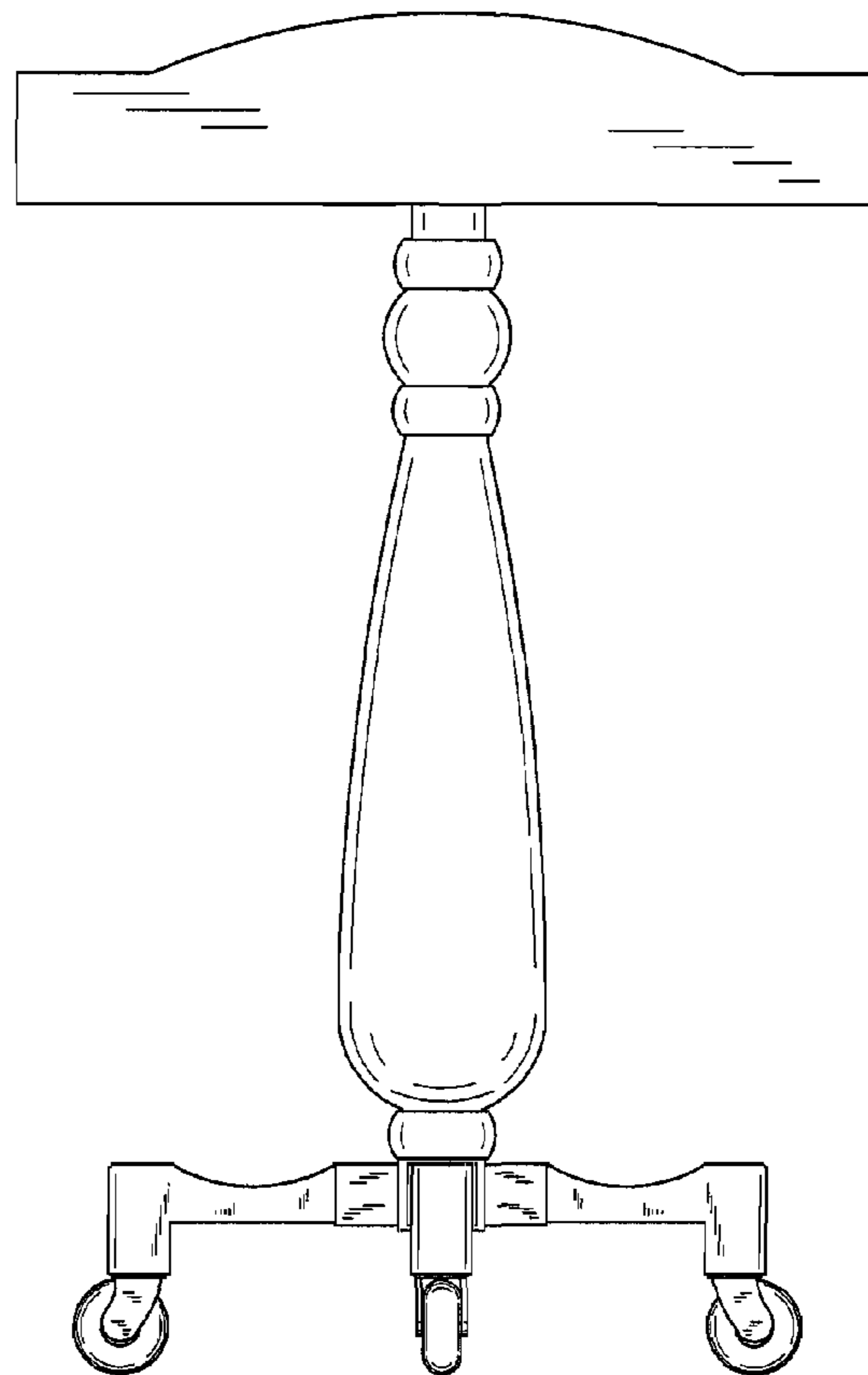


FIG. 2

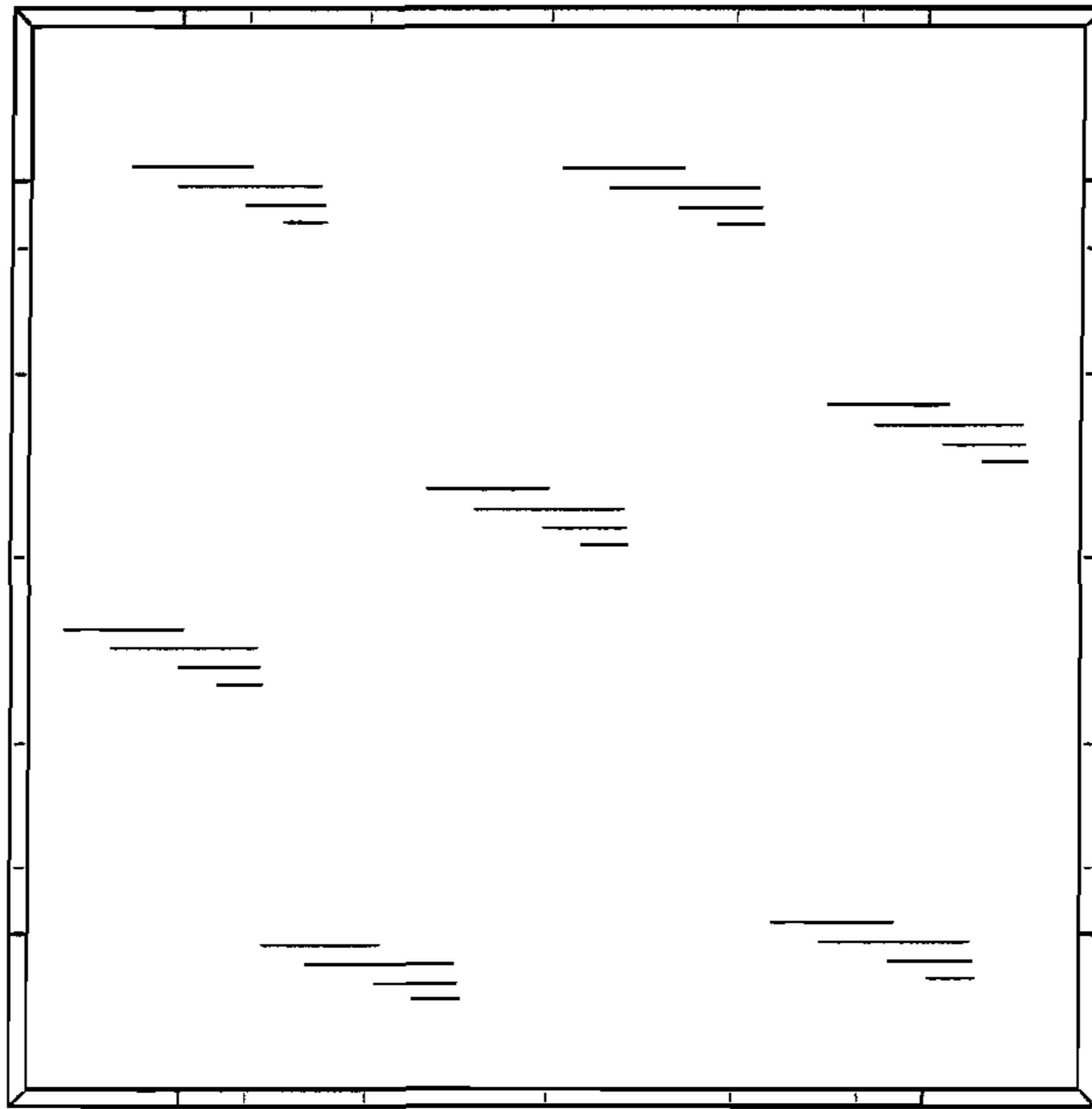


FIG. 3

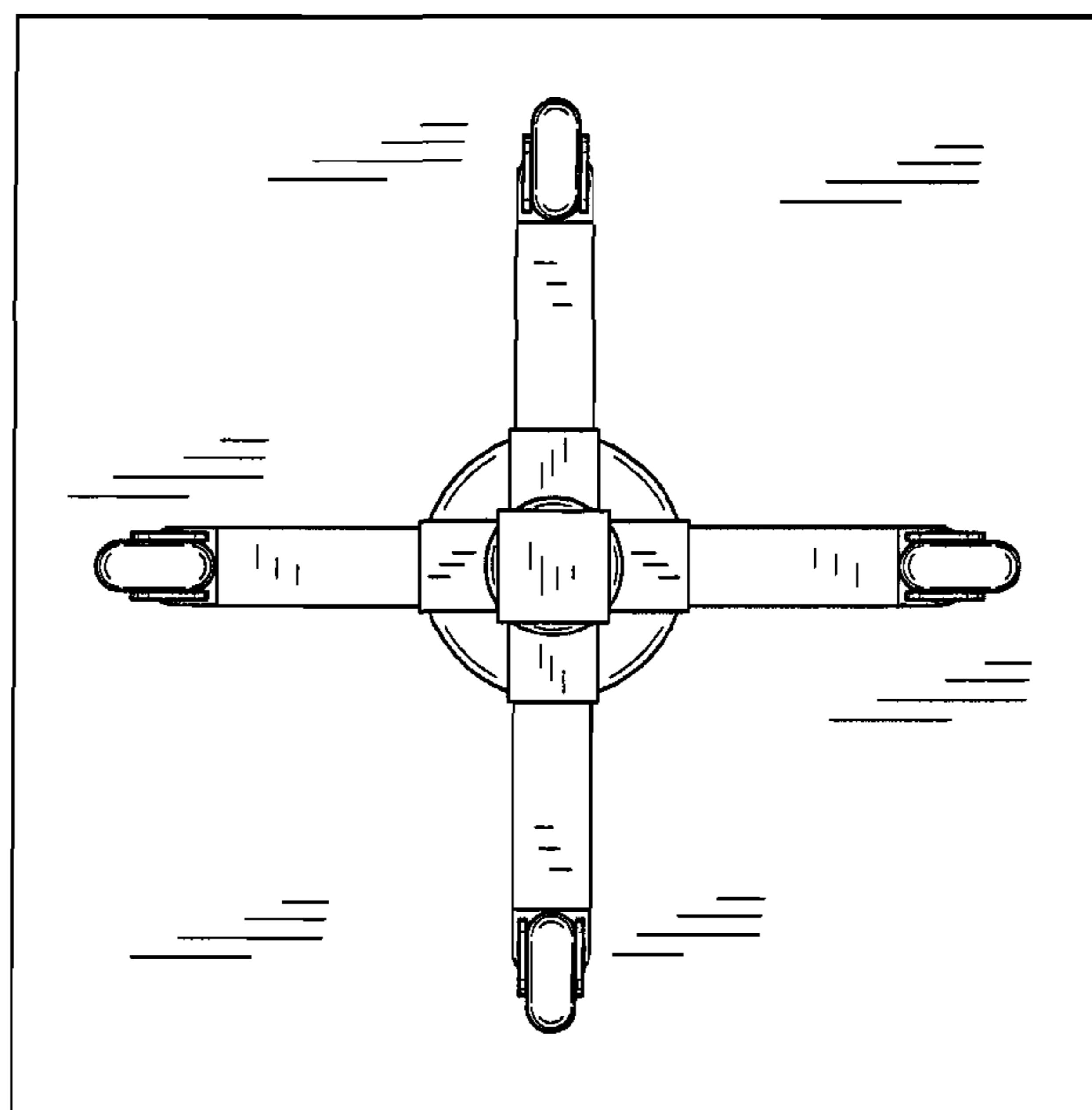


FIG. 4

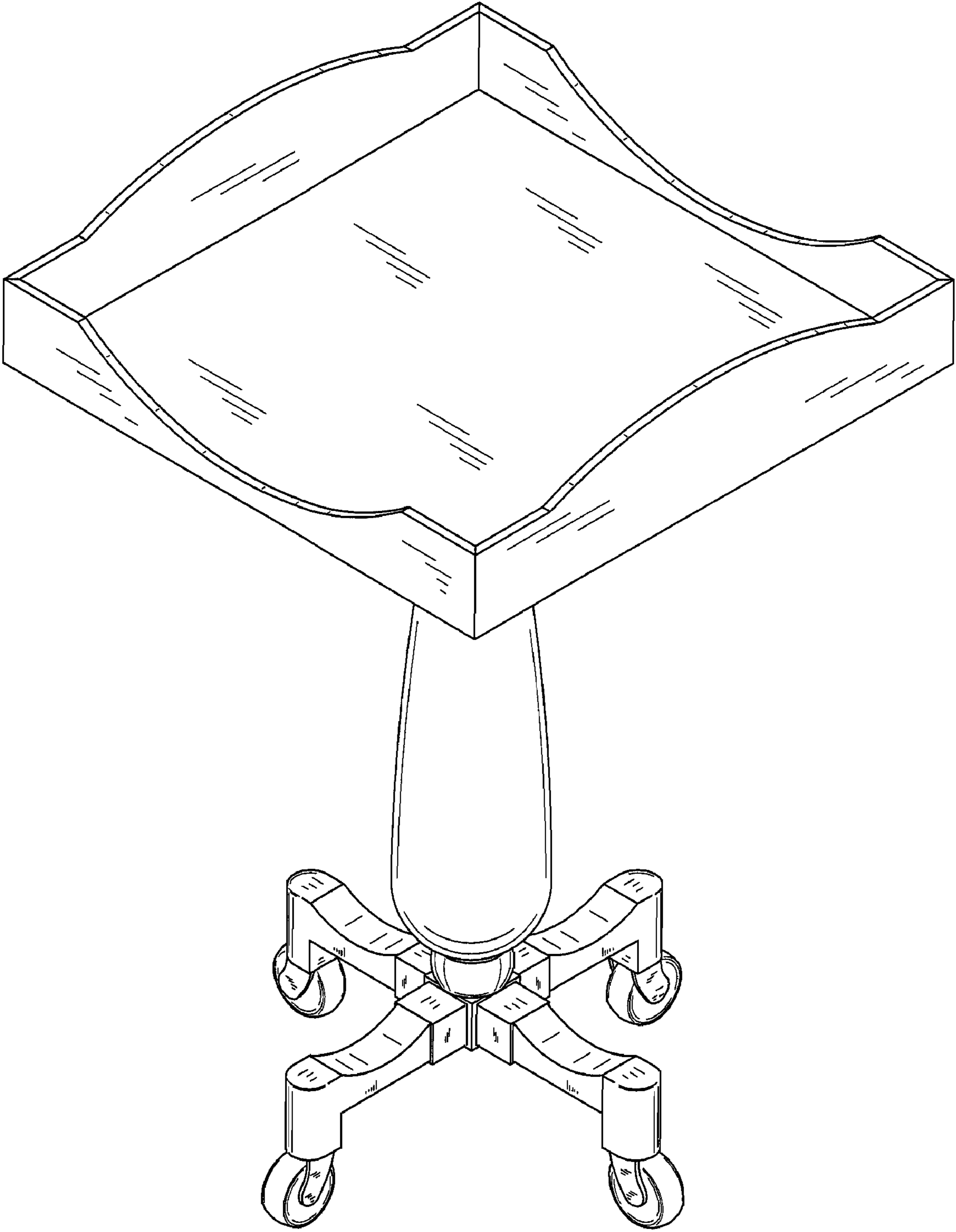


FIG. 5