



US00D581188S

(12) **United States Design Patent**
Skalka

(10) **Patent No.:** **US D581,188 S**

(45) **Date of Patent:** **** Nov. 25, 2008**

(54) **TABLE**

(75) Inventor: **Gerald Skalka**, Potomac, MD (US)

(73) Assignee: **Victor Stanley, Inc.**, Dunkirk, MD (US)

(**) Term: **14 Years**

(21) Appl. No.: **29/294,020**

(22) Filed: **Dec. 21, 2007**

(51) **LOC (8) Cl.** **06-03**

(52) **U.S. Cl.** **D6/480**

(58) **Field of Classification Search** D6/480-489,
D6/495-499, 429-431, 511, 419, 420; 108/150,
108/153.1, 156, 157.1, 161; 248/188, 188.1,
248/188.8

See application file for complete search history.

(56) **References Cited**

U.S. PATENT DOCUMENTS

268,990	A	*	12/1882	Blythe	108/36
D67,030	S		4/1925	Haase		
D214,042	S		5/1969	Henebry		
D225,194	S		11/1972	Ruth		
D299,595	S		1/1989	Shields		
D336,796	S		6/1993	Chang		
D365,937	S		1/1996	Skalka		
D386,012	S		11/1997	Skalka		
D396,358	S		7/1998	Geier		
D438,730	S	*	3/2001	D'Urso et al.	D6/480
D453,424	S		2/2002	Stewart		
D457,738	S		5/2002	Stlear et al.		
D458,474	S	*	6/2002	Hecht et al.	D6/480
D481,211	S		10/2003	Chipman		
D481,229	S	*	10/2003	Weaver	D6/499
D503,552	S		4/2005	Messier		
D510,199	S		10/2005	Messier		
D521,763	S		5/2006	Wilmotte		
D522,775	S		6/2006	Skalka		
D523,650	S		6/2006	Skalka		
D526,805	S		8/2006	Skalka		

D532,620	S		11/2006	Skalka		
D536,184	S		2/2007	Skalka		
7,252,331	B1		8/2007	Walton		
D556,362	S		11/2007	Pfund et al.		
D556,473	S	*	12/2007	Good	D6/480
D559,569	S		1/2008	Pappas		
2003/0230912	A1		12/2003	Arnold et al.		

* cited by examiner

Primary Examiner—Janice E Seeger

(74) *Attorney, Agent, or Firm*—Jacobson Holman PLLC

(57) **CLAIM**

The ornamental design for a table, as shown and described.

DESCRIPTION

FIG. 1 is an isometric view of a first embodiment of a table showing my new design.

FIG. 2 is a right side elevational view of the table of FIG. 1, the left side elevational view being a mirror image thereof.

FIG. 3 is a top plan view of the table of FIG. 1.

FIG. 4 is a front elevational view of the table of FIG. 1, the back elevational view being a mirror image thereof.

FIG. 5 is a bottom plan view of the table of FIG. 1.

FIG. 6 is an isometric view of a second embodiment of a table showing my new design.

FIG. 7 is a right side elevational view of the bench of FIG. 6, the left side elevational view being a mirror image thereof.

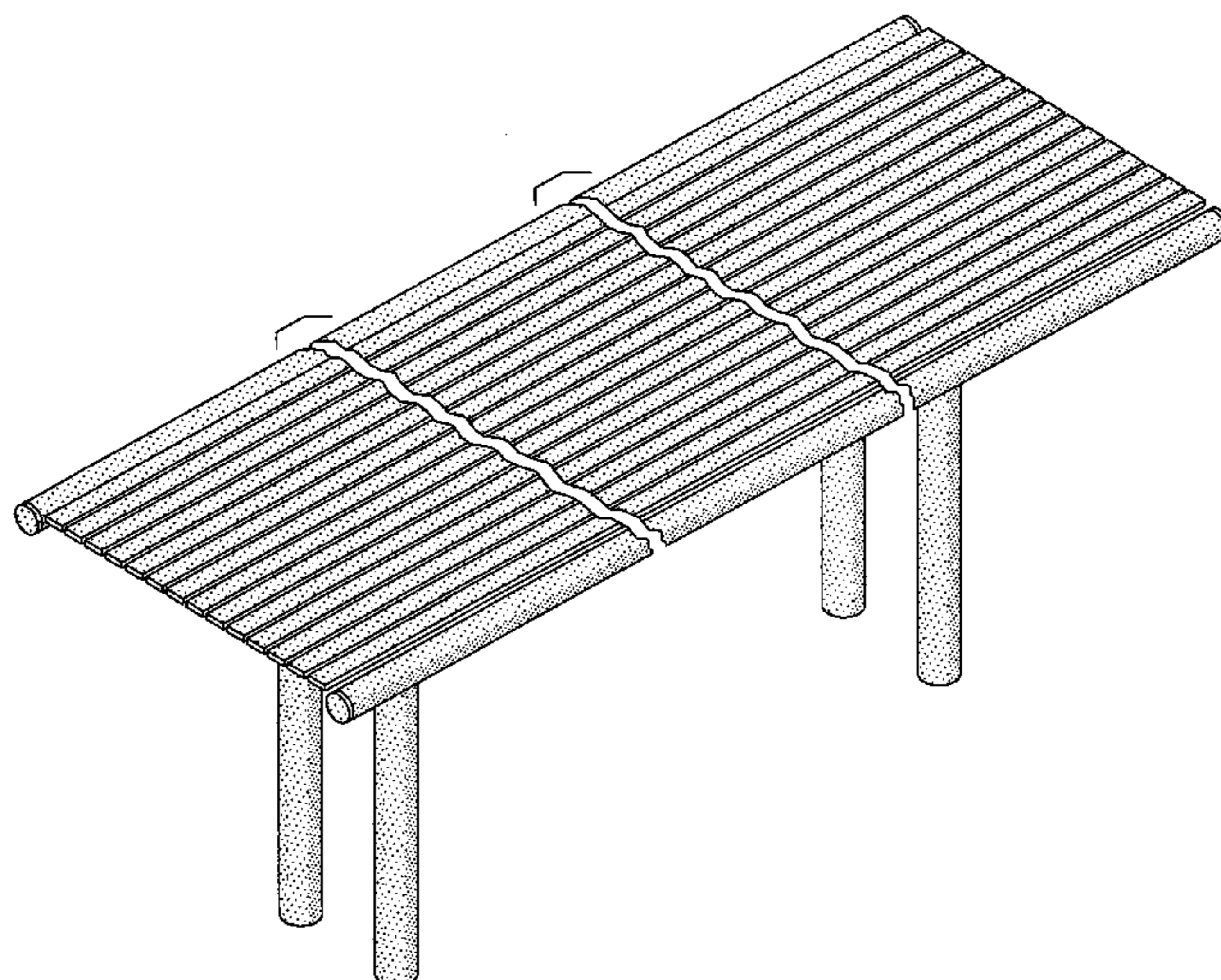
FIG. 8 is a top plan view of the bench of FIG. 6.

FIG. 9 is a front elevational view of the bench of FIG. 6, the back elevational view being a mirror image thereof; and,

FIG. 10 is a bottom plan view of the bench of FIG. 6.

The table is shown broken-away transversely in the various views to indicate that a specific length forms no part of the claimed design.

1 Claim, 4 Drawing Sheets



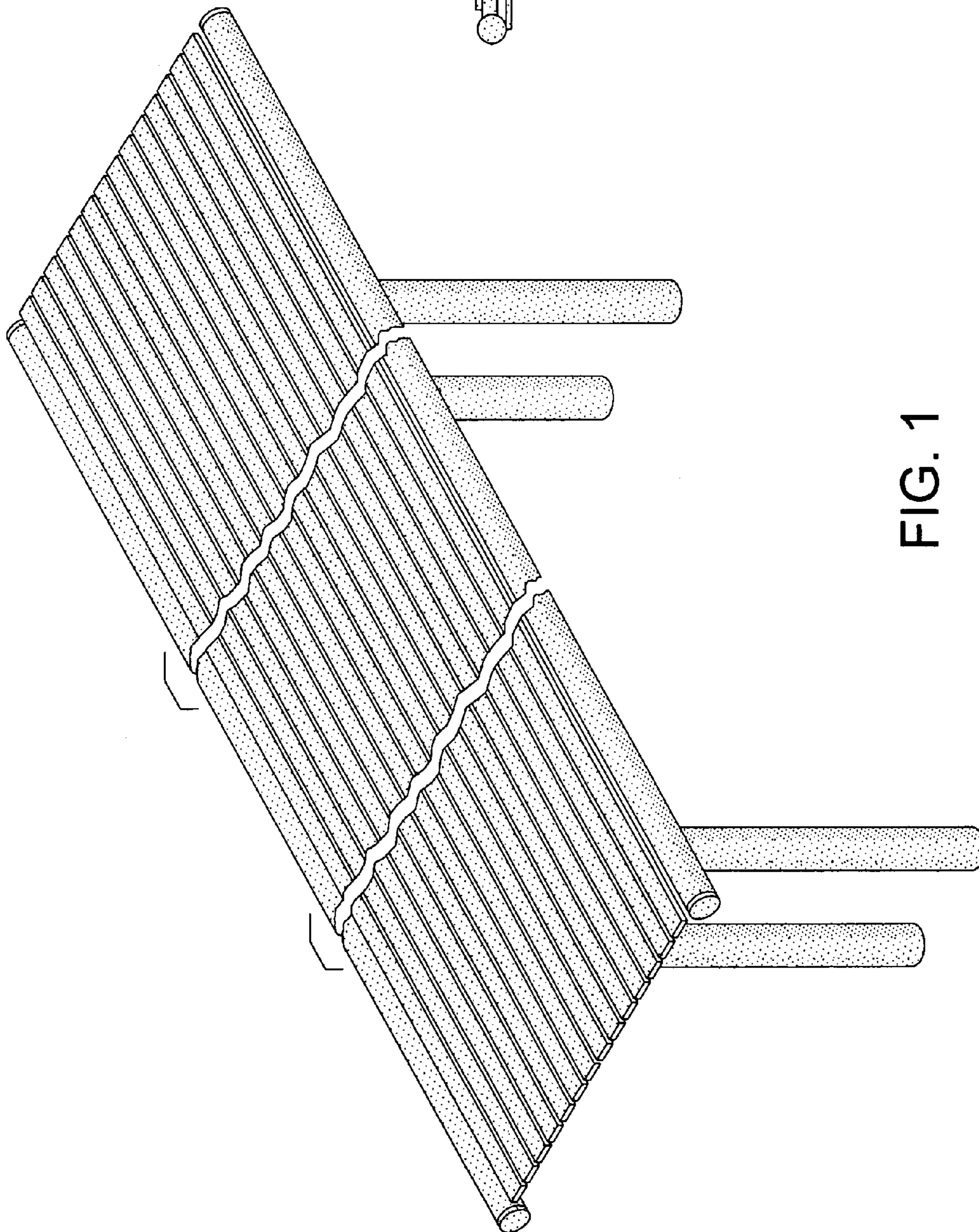


FIG. 1

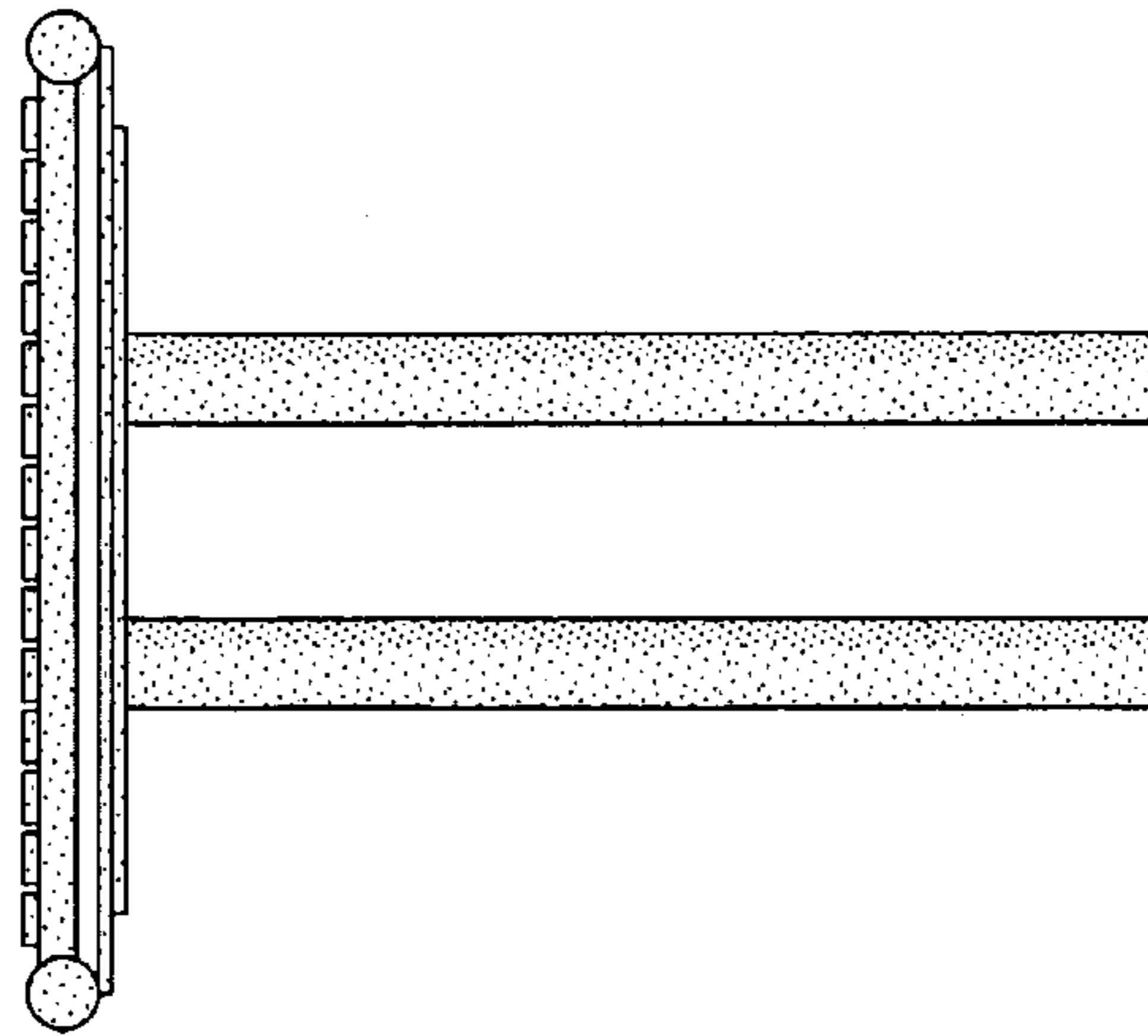


FIG. 2

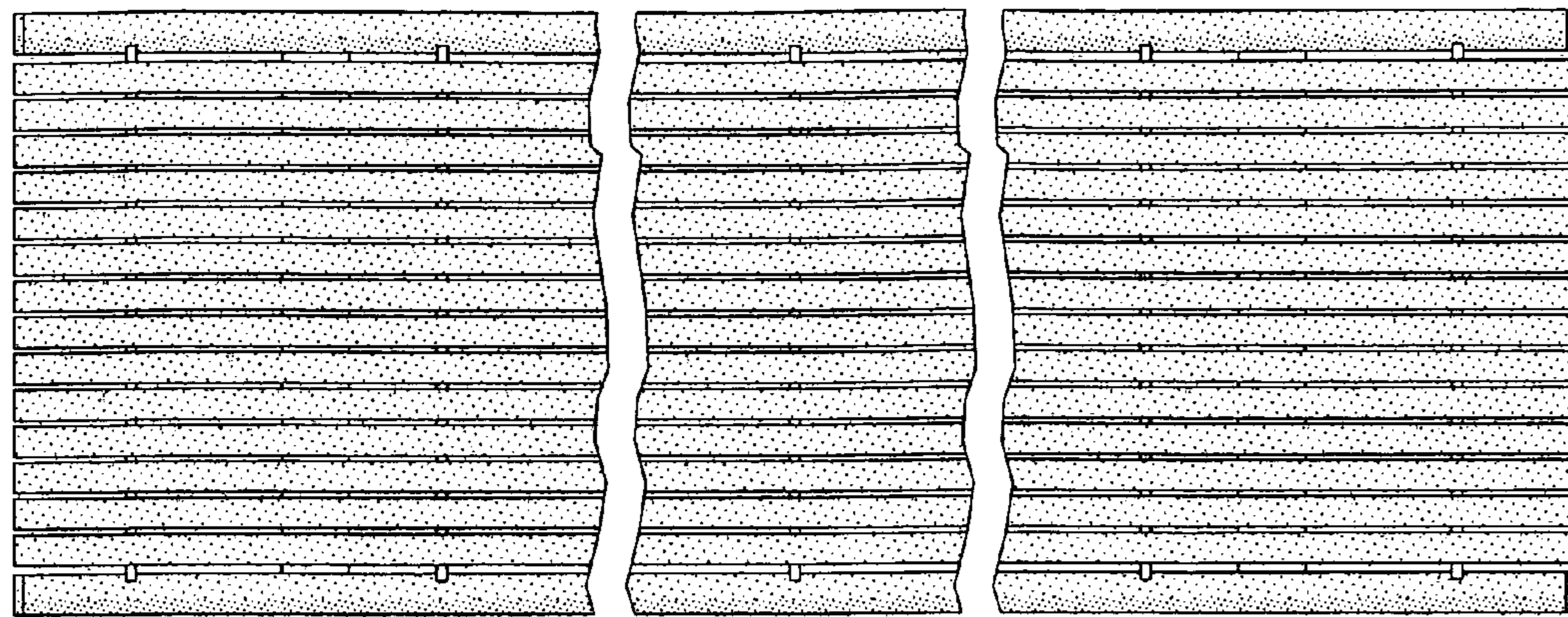


FIG. 3

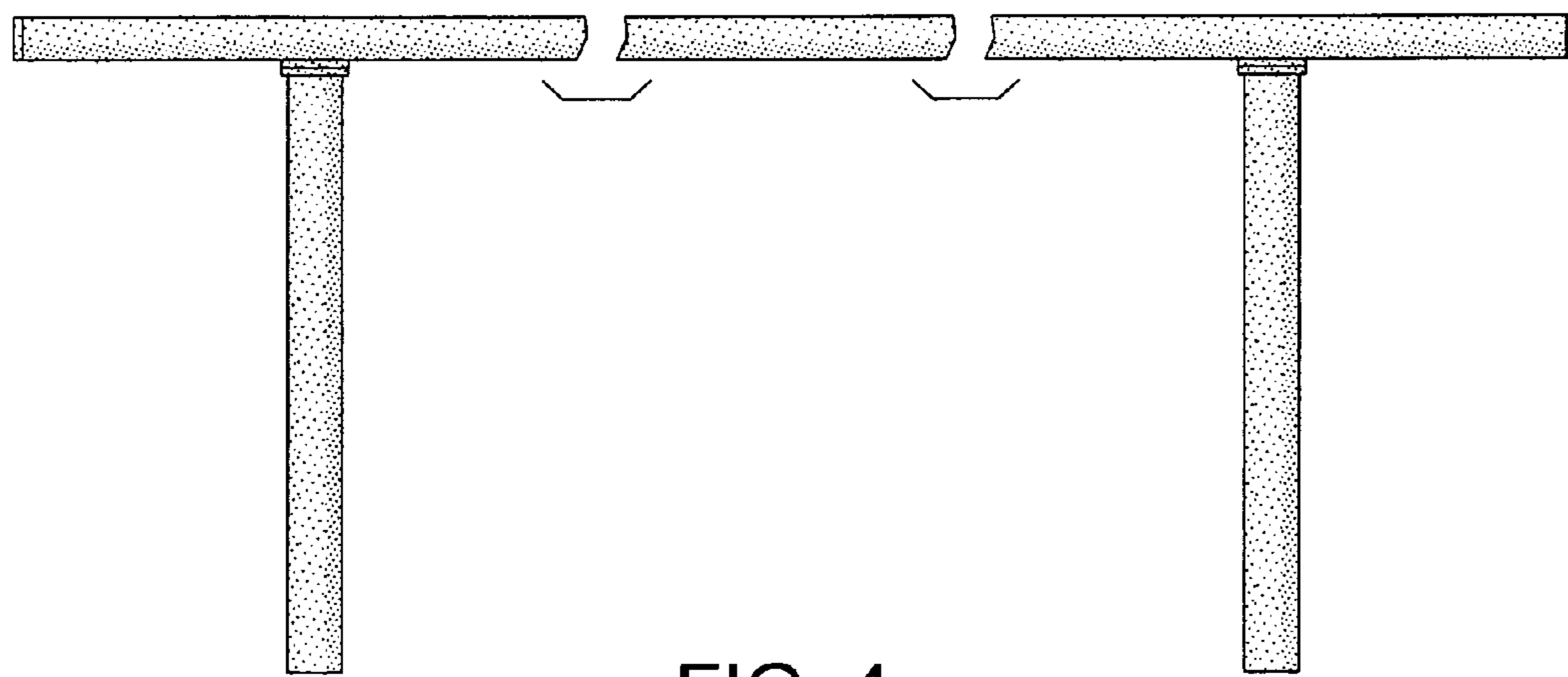


FIG. 4

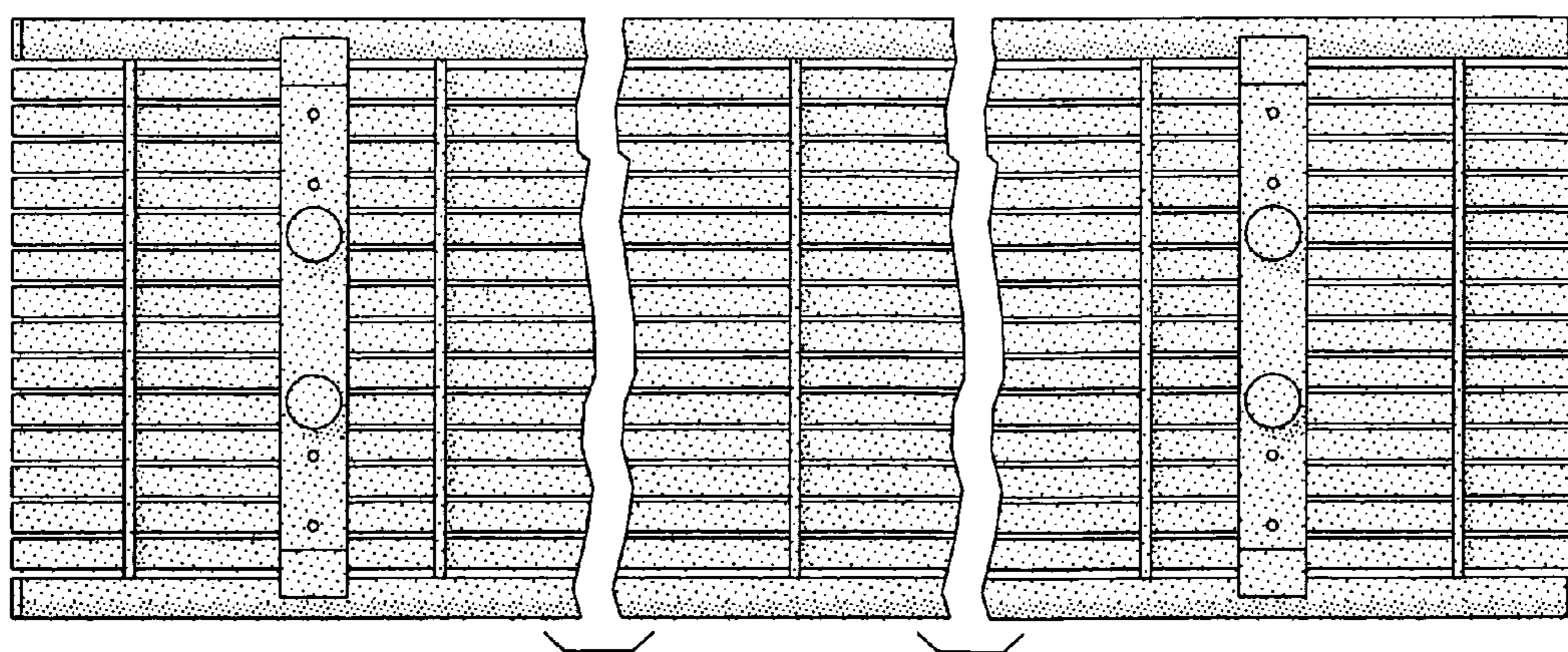


FIG. 5

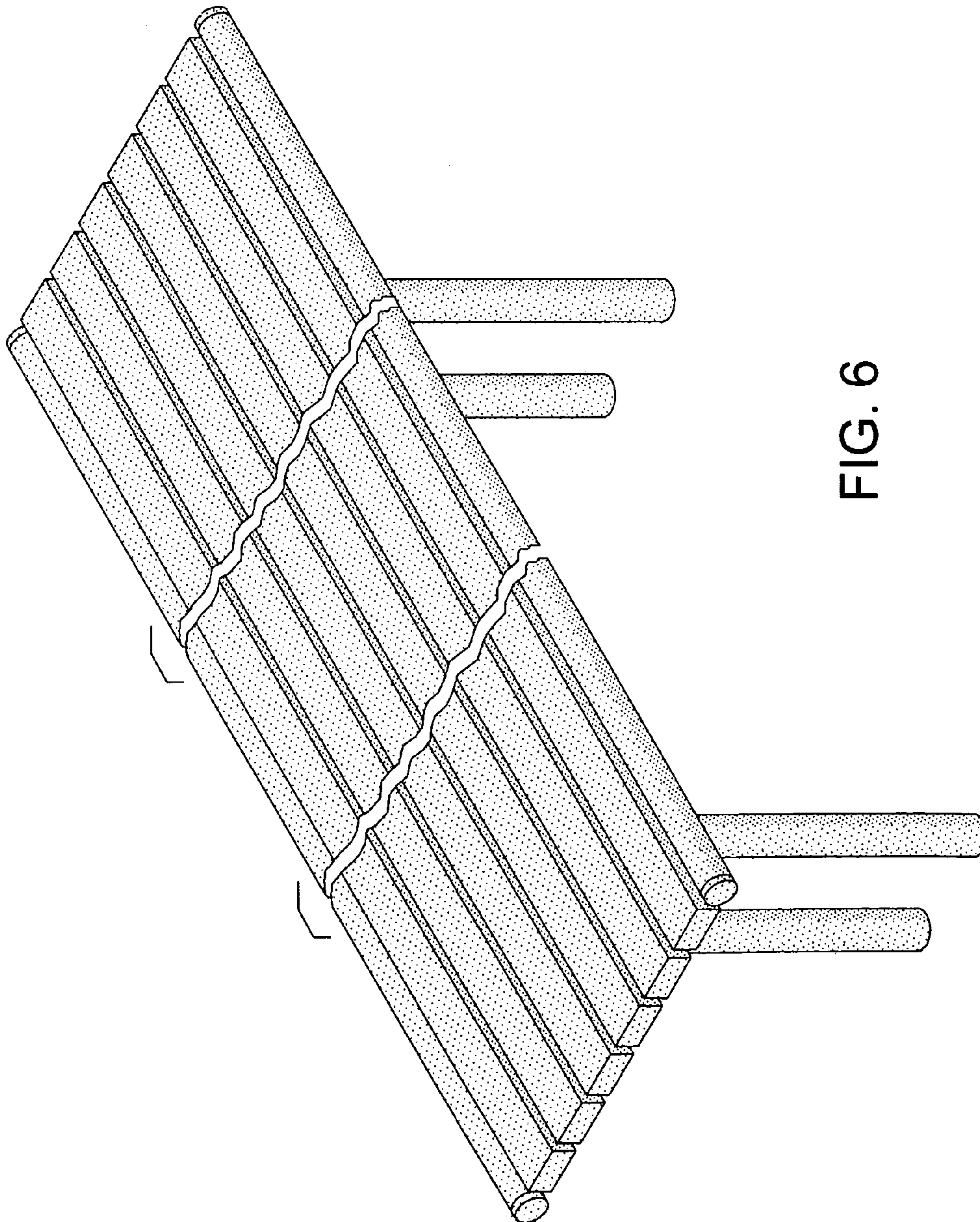


FIG. 6

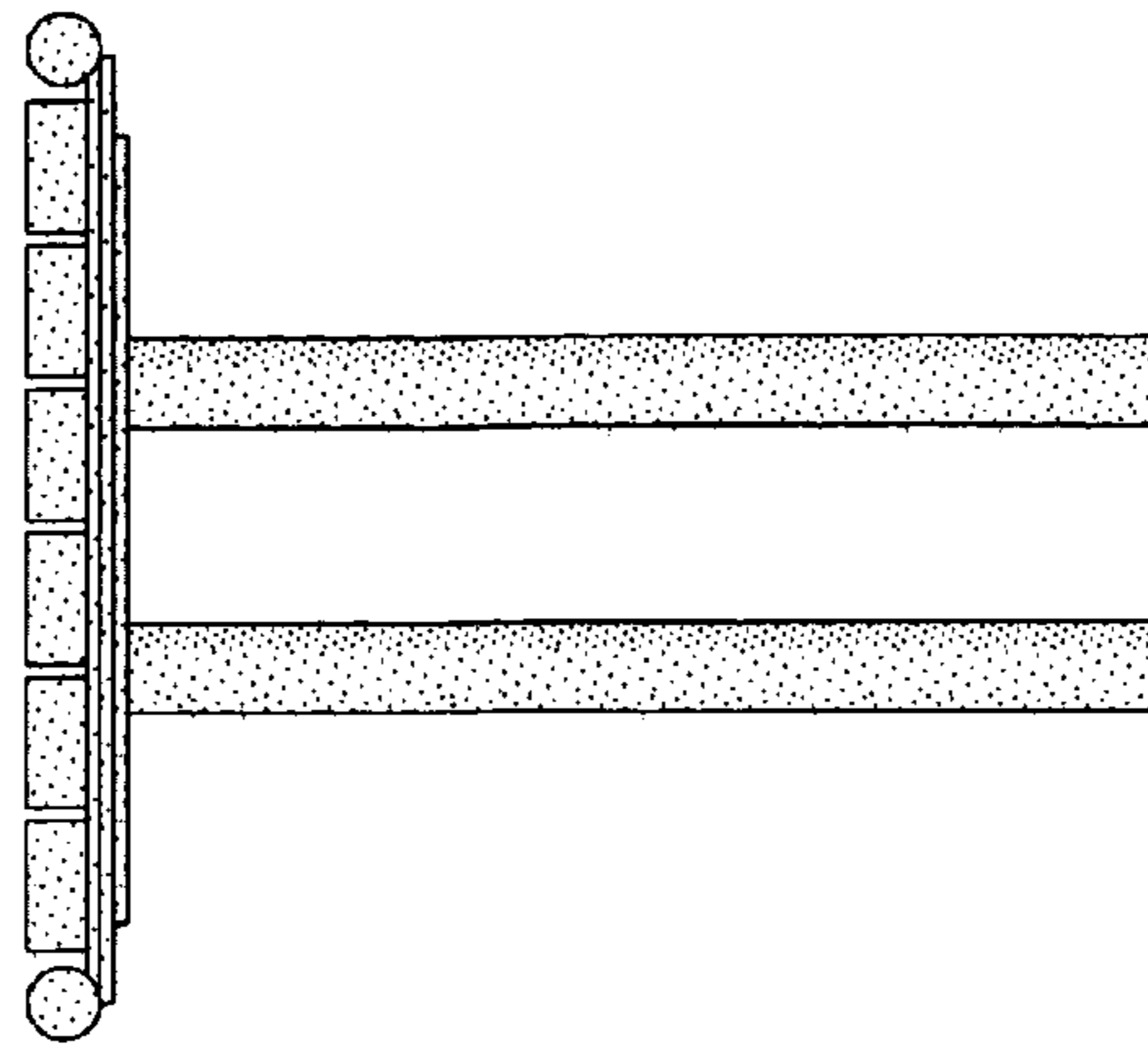


FIG. 7

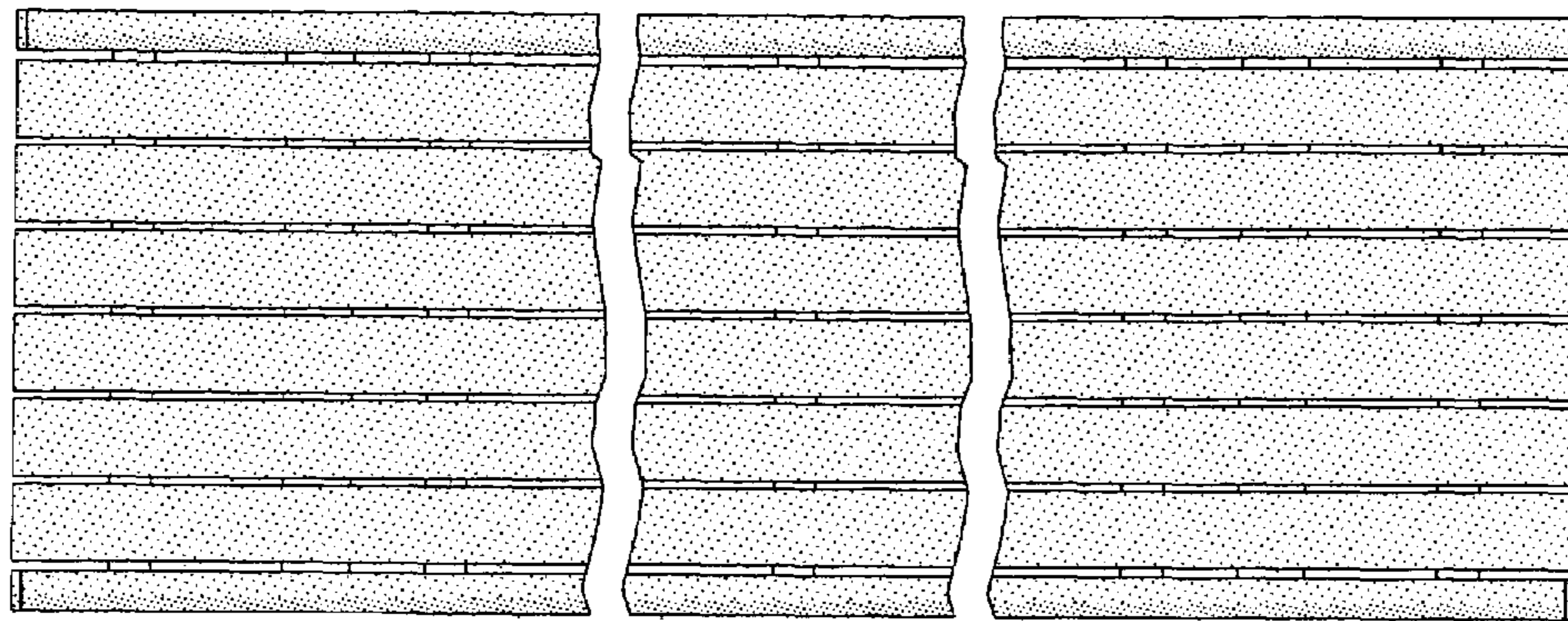


FIG. 8

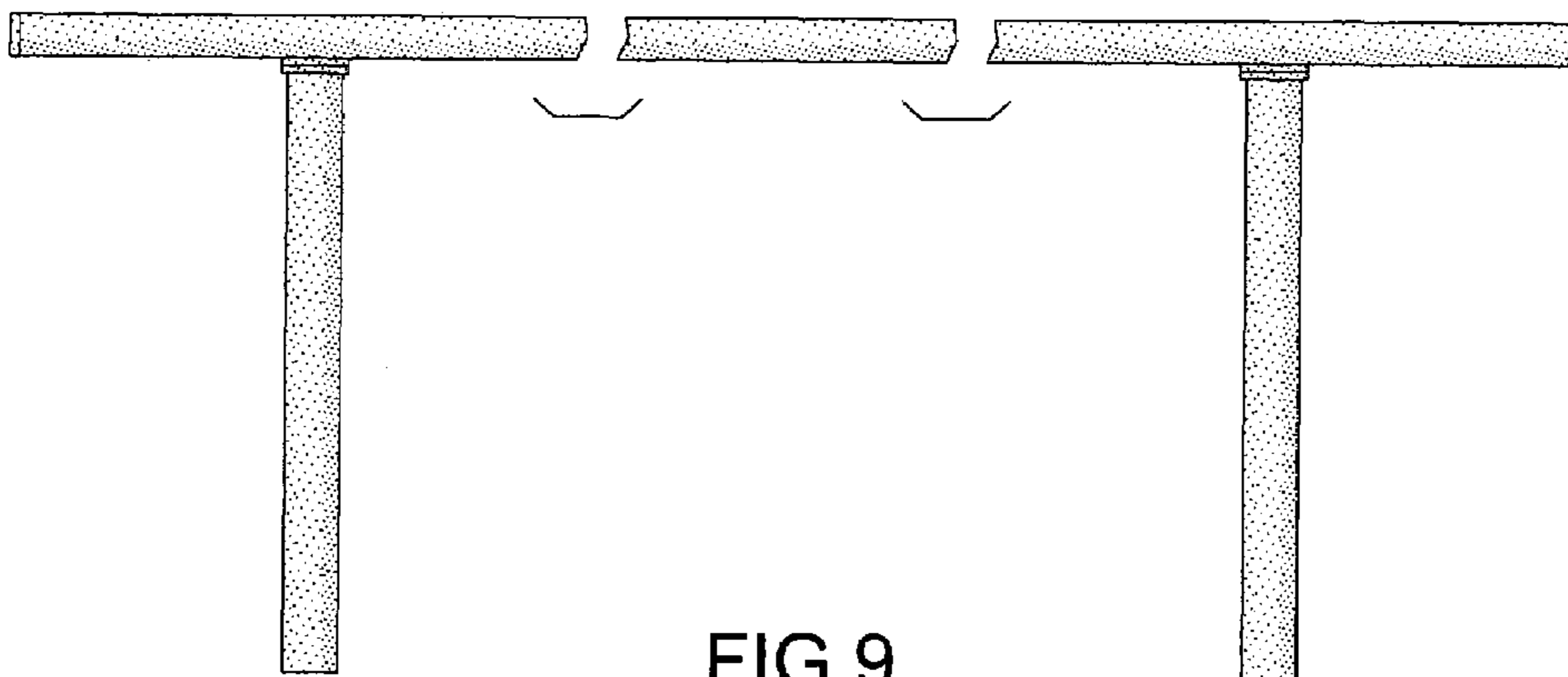


FIG. 9

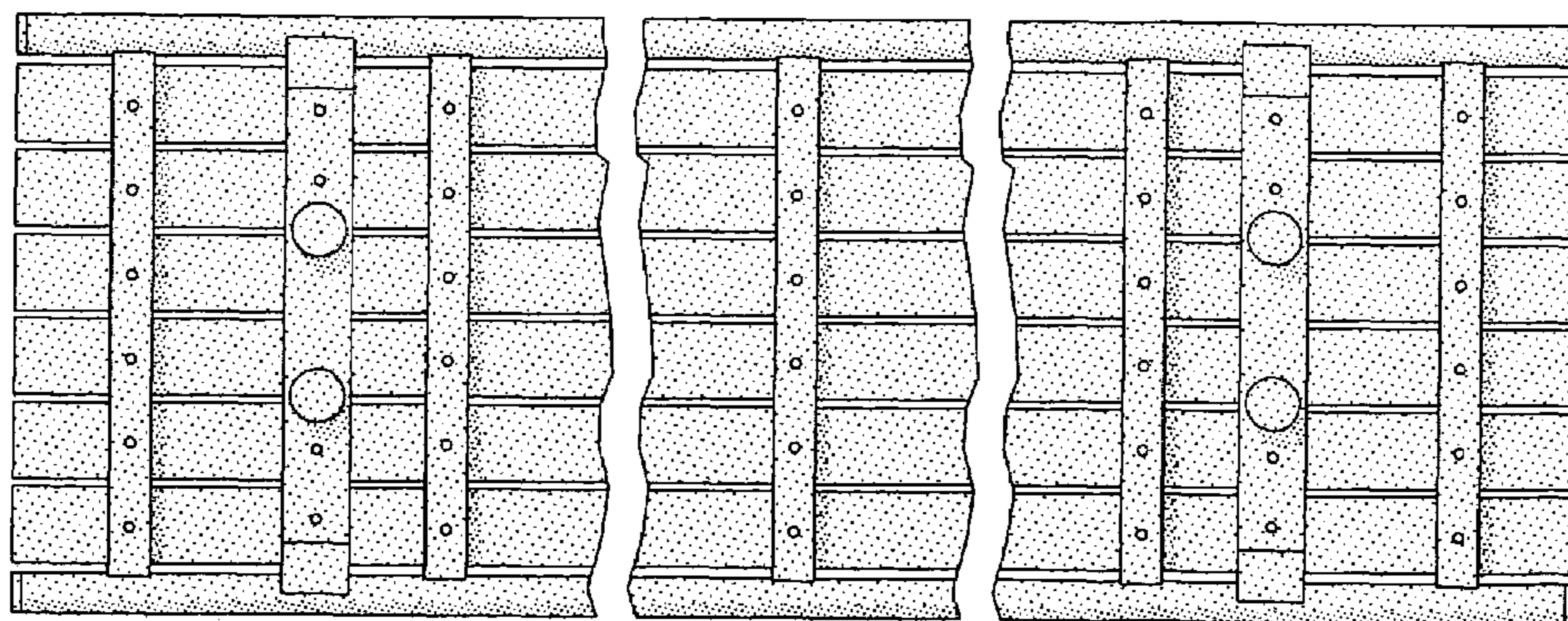


FIG. 10