



US00D581187S

(12) **United States Design Patent**
Vihauer

(10) **Patent No.:** **US D581,187 S**

(45) **Date of Patent:** **** Nov. 25, 2008**

(54) **WINDOW FRAME DISPLAY STAND**

(75) Inventor: **Kevin Dwayne Vihauer**, Puyallup, WA
(US)

(73) Assignee: **Milgard Manufacturing Incorporated**,
Tacoma, WA (US)

(**) Term: **14 Years**

(21) Appl. No.: **29/293,774**

(22) Filed: **Nov. 15, 2007**

(51) **LOC (8) Cl.** **06-04**

(52) **U.S. Cl.** **D6/466**

(58) **Field of Classification Search** D6/466,
D6/491, 300, 314, 310; D8/403; 40/782,
40/730, 739, 741, 752, 761, 764, 778, 790,
40/152, 152.1; 206/586, 320, 453; D9/434,
D9/456, 499

See application file for complete search history.

(56) **References Cited**

U.S. PATENT DOCUMENTS

D11,249 S	6/1879	Reed	
1,426,983 A	8/1922	Guardino	
2,081,722 A *	5/1937	Weinzierl	40/782
3,759,385 A	9/1973	Juhlin	
4,000,843 A *	1/1977	Sorensen et al.	206/586
D301,953 S *	7/1989	Evenson	D6/491
4,960,258 A	10/1990	Stocker et al.	
D369,679 S *	5/1996	Langford	D6/300
5,664,749 A	9/1997	Kump et al.	

D385,179 S *	10/1997	Brandes	D8/403
D385,180 S *	10/1997	Brandes	D8/403
D385,485 S *	10/1997	Brandes	D8/403
D388,317 S *	12/1997	Brandes	D8/403
D394,603 S *	5/1998	Brandes	D8/403
D394,802 S *	6/1998	Brandes	D8/403
D417,805 S	12/1999	Bramsiepe et al.	
D442,404 S	5/2001	Bramsiepe et al.	

* cited by examiner

Primary Examiner—Caron Veynar

Assistant Examiner—Sydney R Buffalow

(74) *Attorney, Agent, or Firm*—Nirav D. Parikh; Lloyd D. Doigan

(57) **CLAIM**

I claim the design for a window frame display stand, as shown and described.

DESCRIPTION

FIG. 1 is a perspective view of a window frame display stand showing my new design;

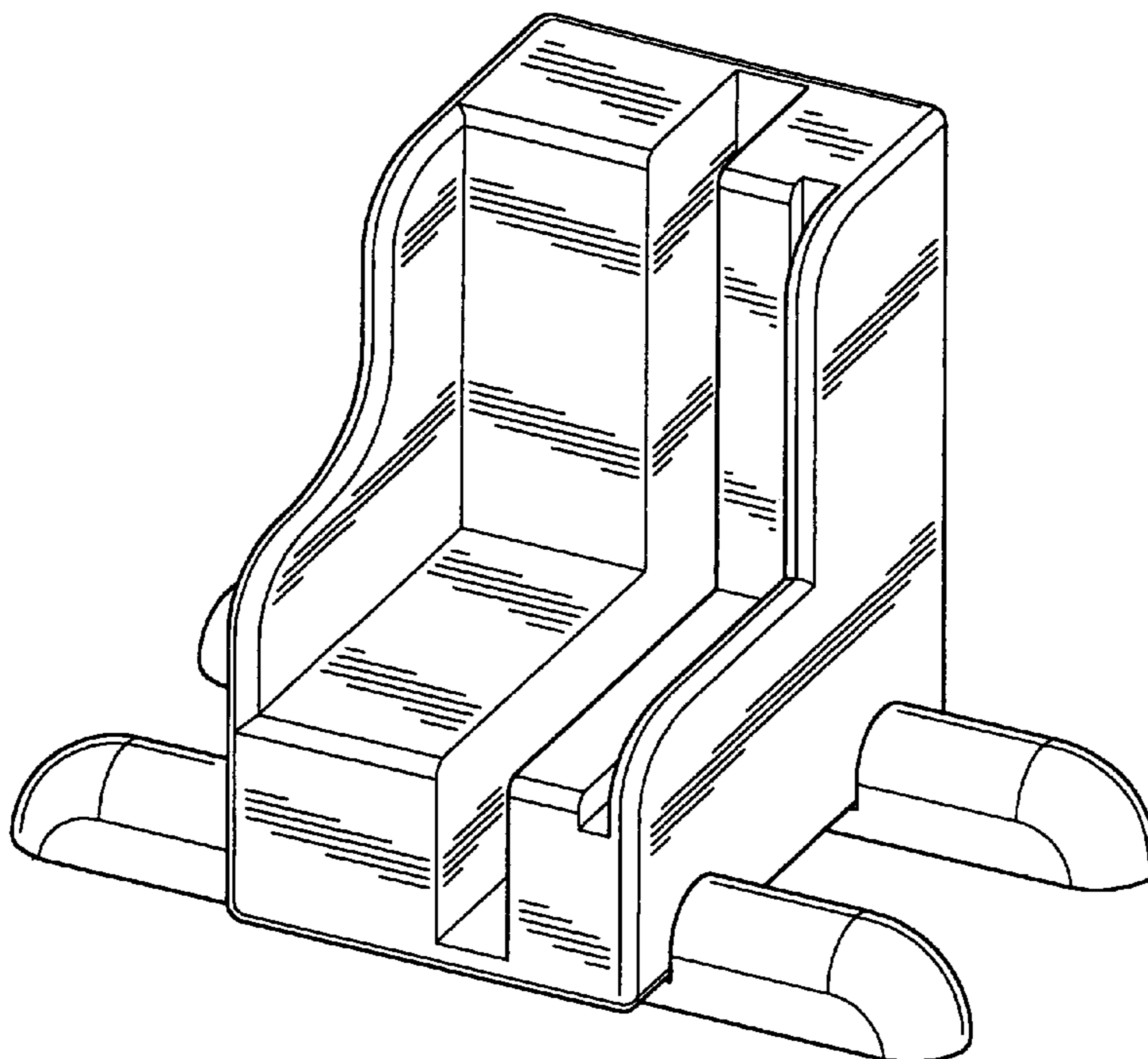
FIG. 2 is a front elevational view, the opposing rear elevational view forming no part of the claimed design;

FIG. 3 is a top plan view, the bottom of the stand forming no part of the claimed design;

FIG. 4 is a side elevational view taken from the left in FIG. 7; and,

FIG. 5 is a side elevational view taken from the right in FIG. 7.

1 Claim, 2 Drawing Sheets



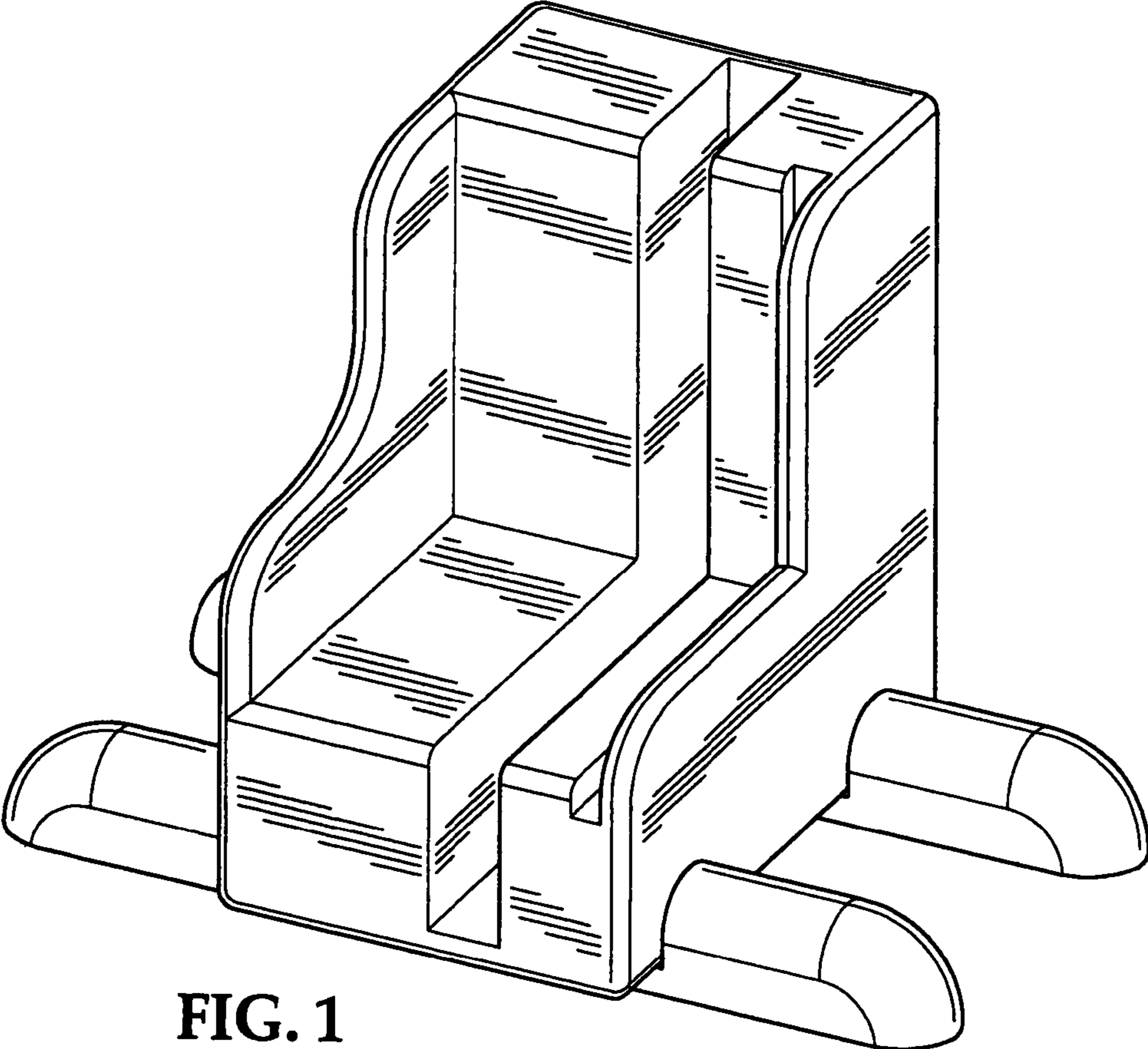


FIG. 1

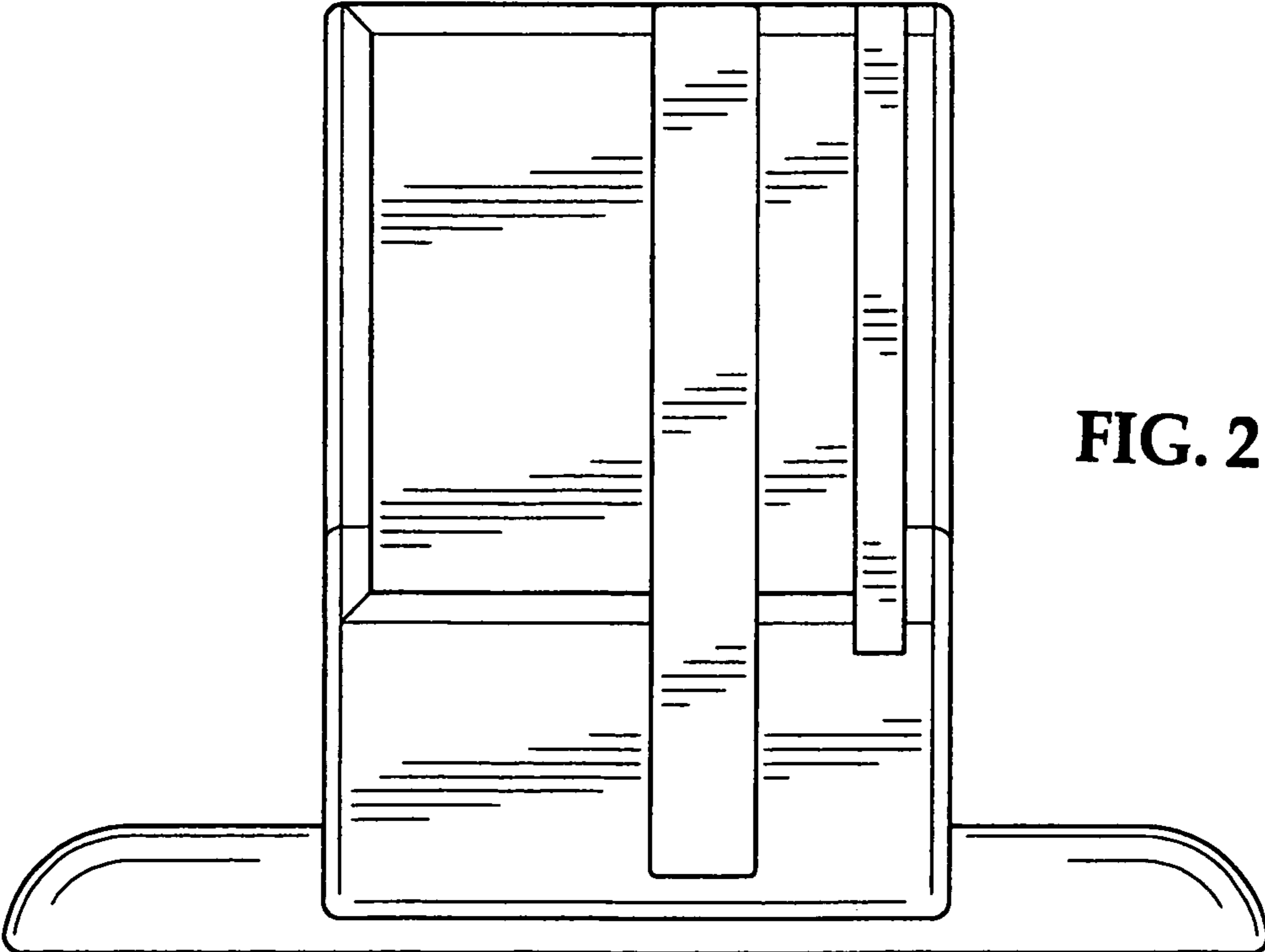


FIG. 2

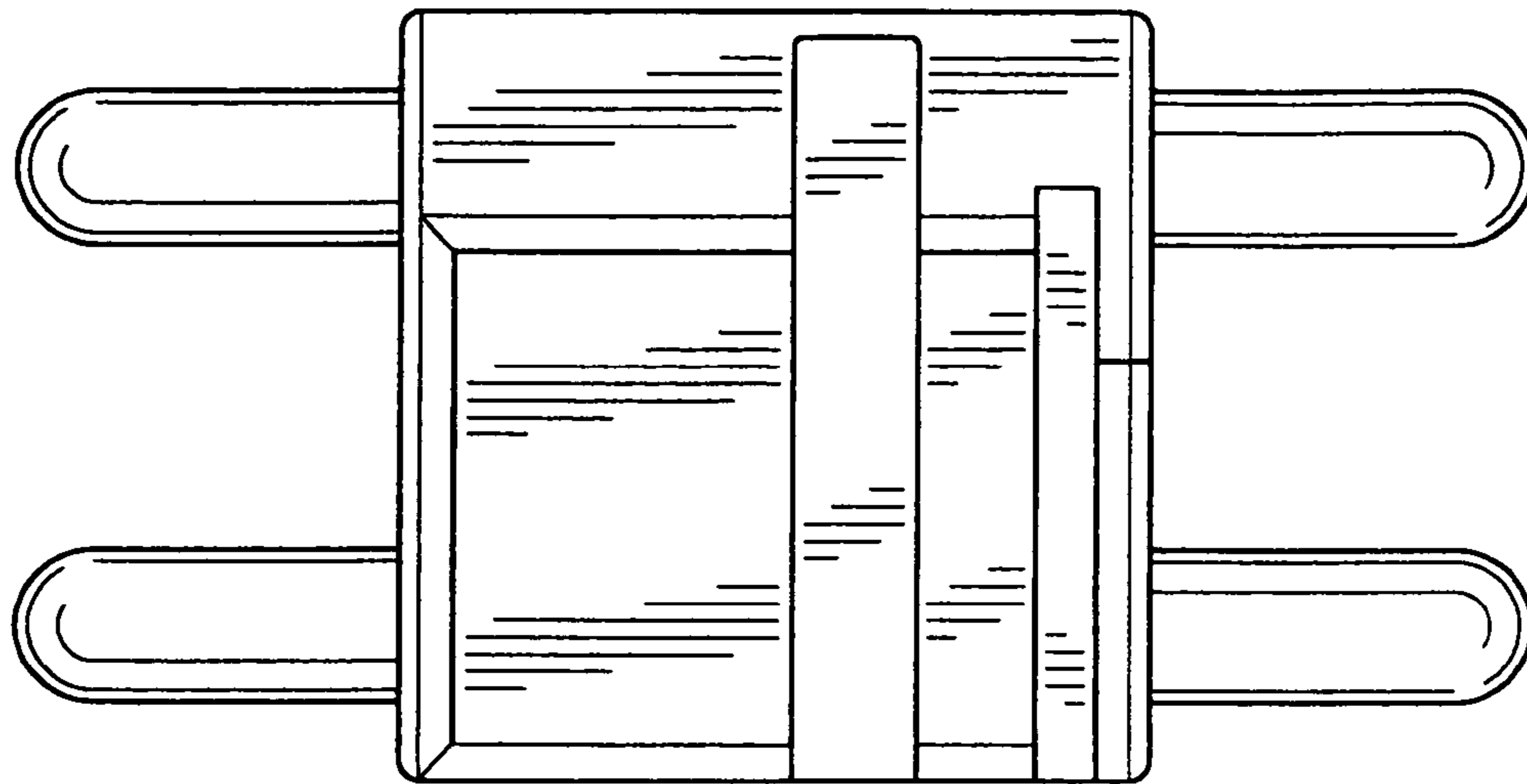


FIG. 3

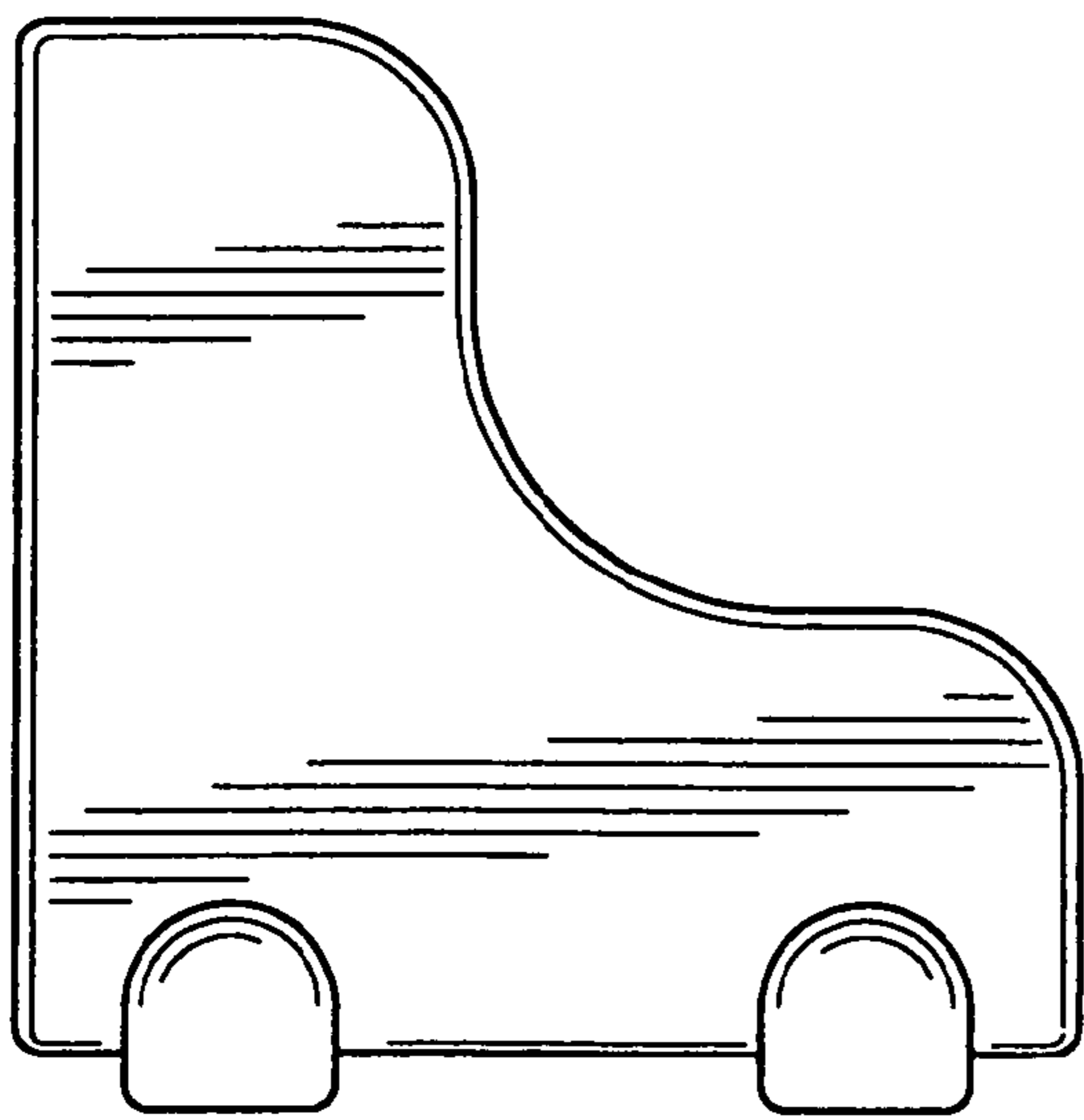


FIG. 4

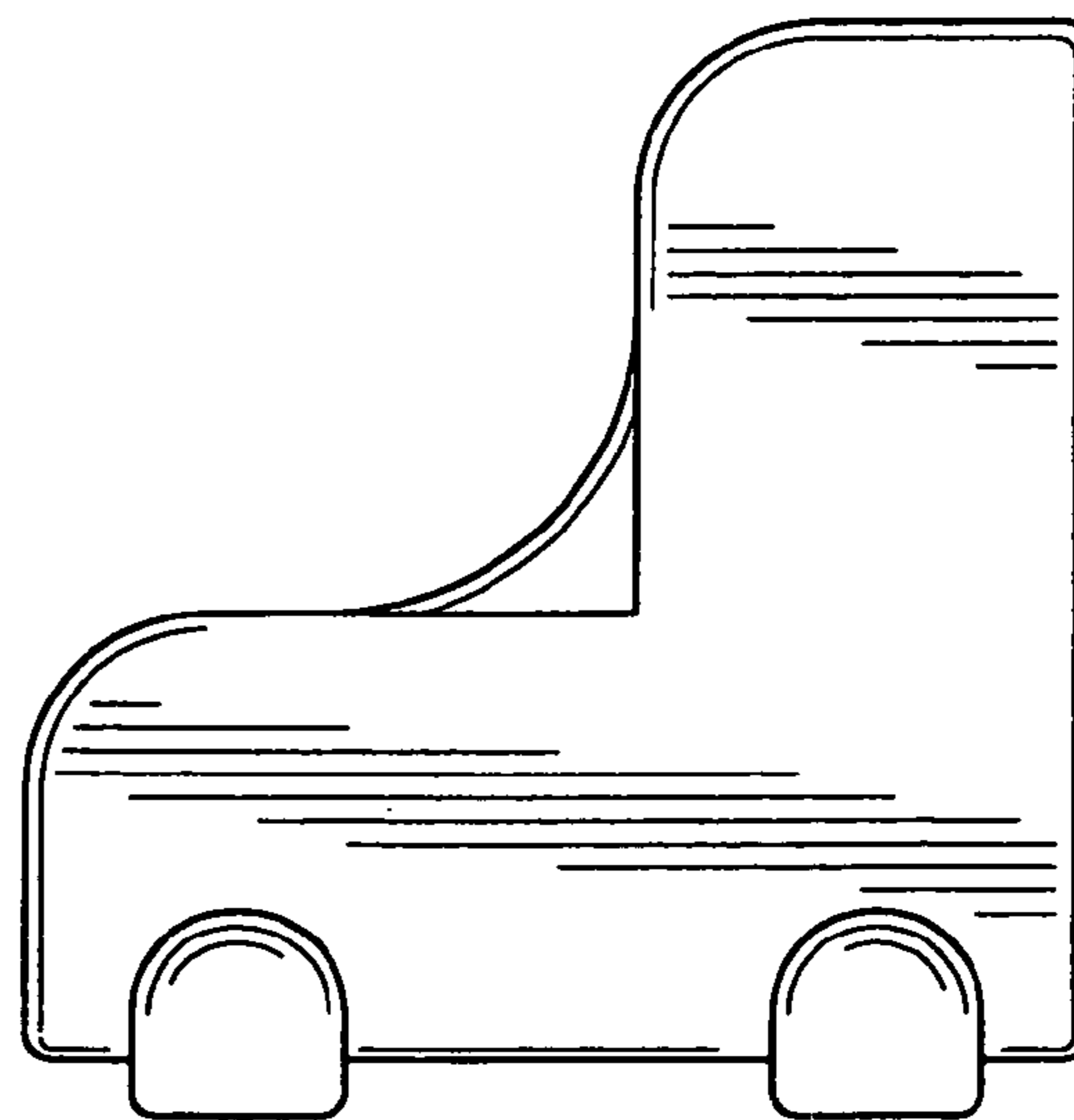


FIG. 5