



US00D581186S

(12) **United States Design Patent**
Nielsen

(10) **Patent No.:** **US D581,186 S**

(45) **Date of Patent:** **** Nov. 25, 2008**

(54) **UNIVERSAL MULTIMEDIA TRAY**

(75) **Inventor:** **Britta Claire Nielsen**, Bellevue, WA
(US)

(73) **Assignee:** **Slam Brands, Inc.**, Redmond, WA (US)

(**) **Term:** **14 Years**

(21) **Appl. No.:** **29/303,649**

(22) **Filed:** **Feb. 14, 2008**

(51) **LOC (8) Cl.** **06-04**

(52) **U.S. Cl.** **D6/457; D6/510**

(58) **Field of Classification Search** D6/457,
D6/467, 464-466, 468, 449, 396, 397, 509,
D6/491, 629, 510, 475; D32/55; 220/572;
206/561; D7/359, 409; D19/75, 76, 91;
211/40, 41, 42, 85.4, 49.1

See application file for complete search history.

(56) **References Cited**

U.S. PATENT DOCUMENTS

D185,899 S *	8/1959	Bernhardt	D32/55
D188,864 S *	9/1960	Stansbury, Jr. et al.	D32/55
3,027,041 A *	3/1962	Stansbury, Jr. et al.	220/572
3,467,247 A *	9/1969	Weiss	206/561
D265,262 S *	6/1982	Taylor	D32/55
D268,959 S *	5/1983	Troy	D32/55
D345,834 S *	4/1994	Craft et al.	D32/55
D365,495 S *	12/1995	O'Higgins	D7/359
D373,866 S *	9/1996	Belden et al.	D32/55
D374,526 S *	10/1996	Breen et al.	D32/55
D408,603 S *	4/1999	Haley	D32/55
D414,808 S *	10/1999	Hunt	D19/75
D427,835 S *	7/2000	Tisbo	D6/629

D493,981 S *	8/2004	Peyker	D6/475
D503,574 S *	4/2005	Yao	D6/510
D534,701 S *	1/2007	Schmidt	D32/55
D552,378 S *	10/2007	Hussaini et al.	D6/467
D554,900 S *	11/2007	Hussaini et al.	D6/467

* cited by examiner

Primary Examiner—Janice E Seeger

Assistant Examiner—Sydney R Buffalow

(74) *Attorney, Agent, or Firm*—Amin, Turocy & Calvin, LLP;
Thomas E. Watson

(57) **CLAIM**

The ornamental design for a universal multimedia tray, as shown and described.

DESCRIPTION

FIG. 1 is a perspective view of a universal multimedia tray showing my new design;

FIG. 2 is a top plan view of the universal multimedia tray shown in FIG. 1;

FIG. 3 is a bottom plan view of the universal multimedia tray shown in FIG. 1;

FIG. 4 is a side view of the universal multimedia tray shown in FIG. 1;

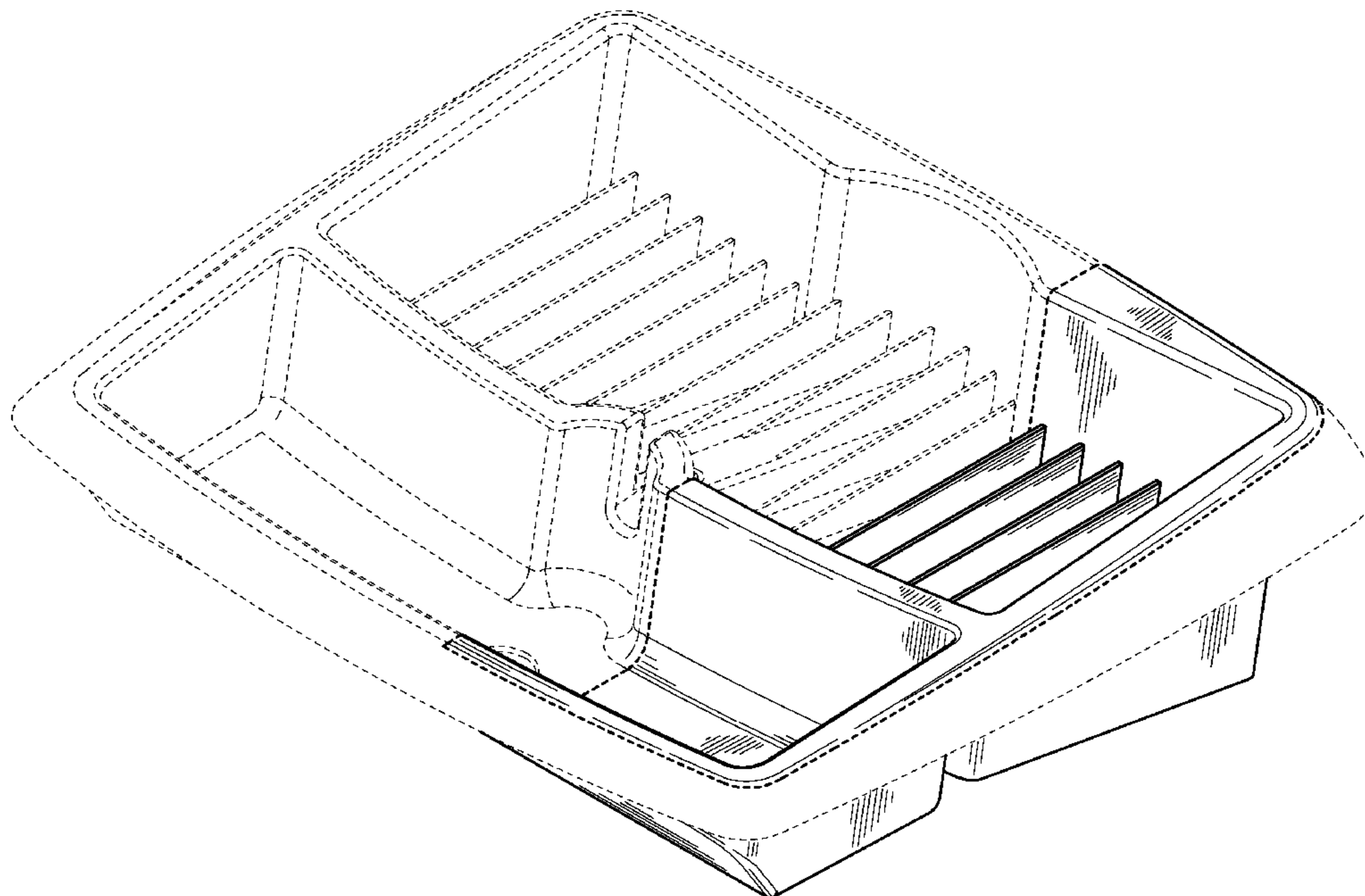
FIG. 5 is an opposite side view of FIG. 4;

FIG. 6 is a side view of universal multimedia tray shown in FIG. 1; and,

FIG. 7 is an opposite side view of FIG. 6.

The dashed lines in the drawings are shown for environmental purposes and form no part of the claimed design.

1 Claim, 5 Drawing Sheets



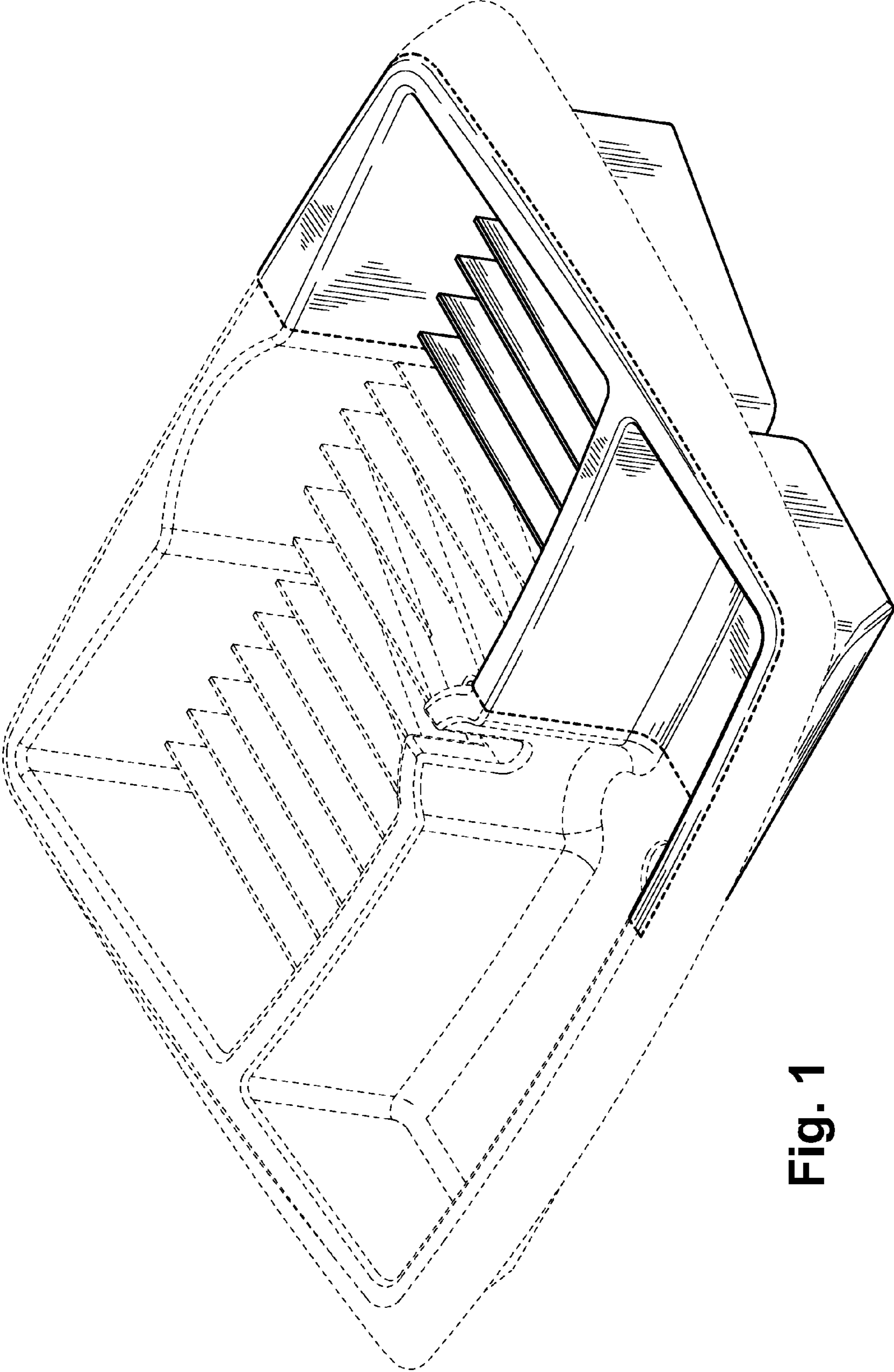


Fig. 1

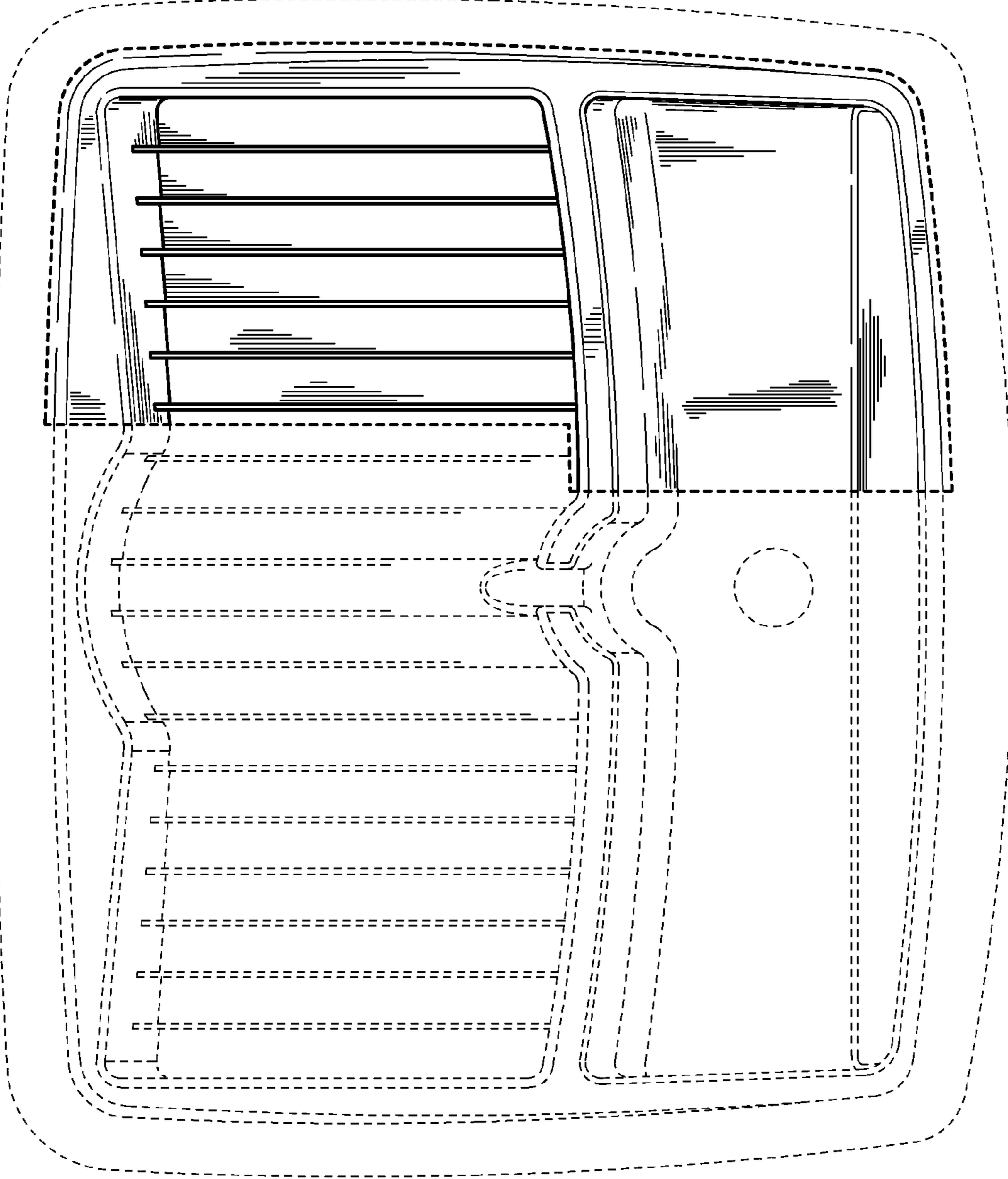


Fig. 2

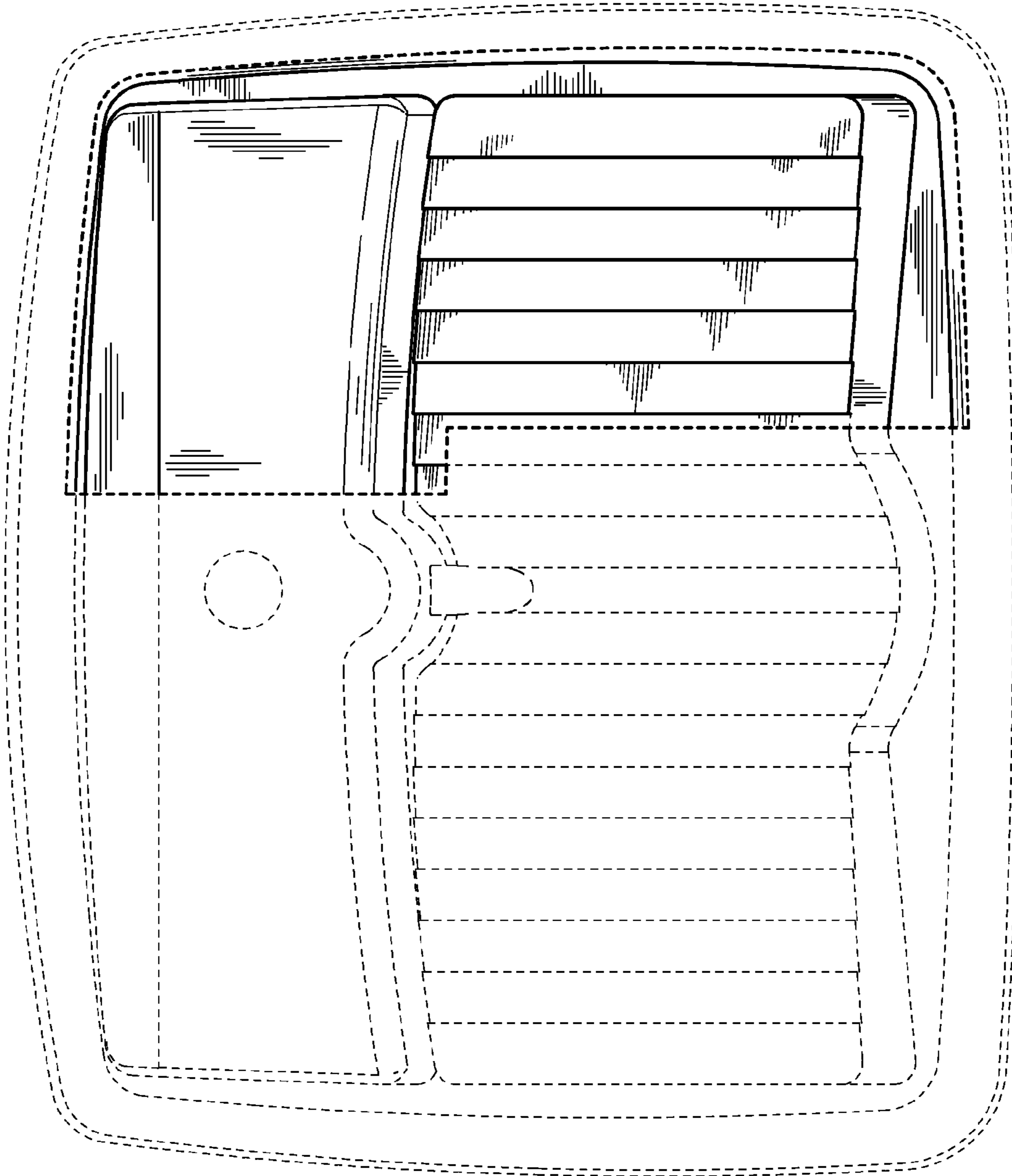


Fig. 3

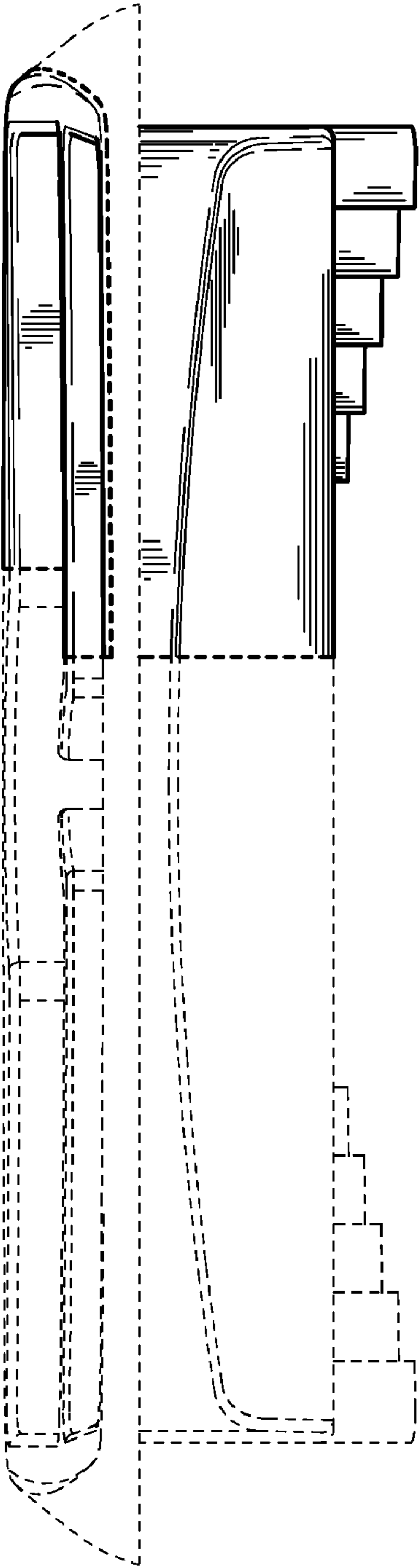


Fig. 4

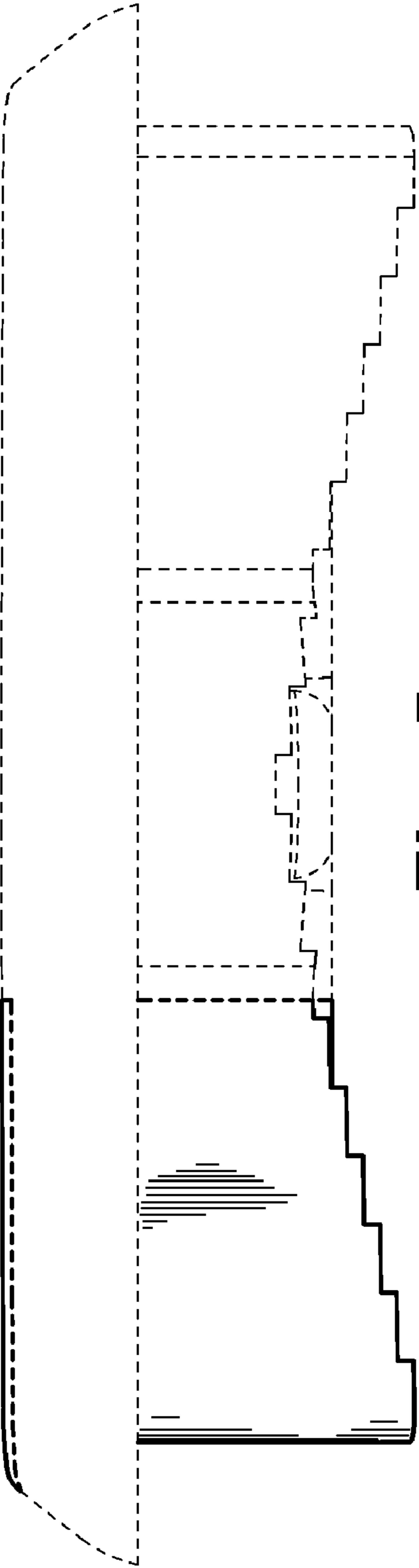


Fig. 5

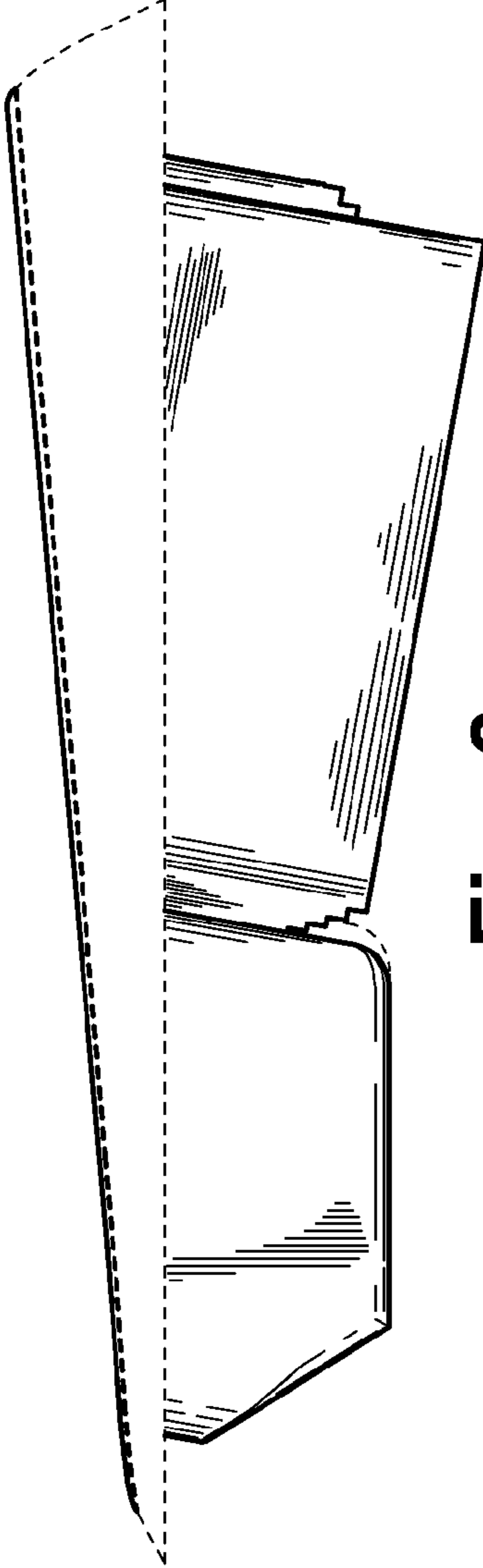


Fig. 6

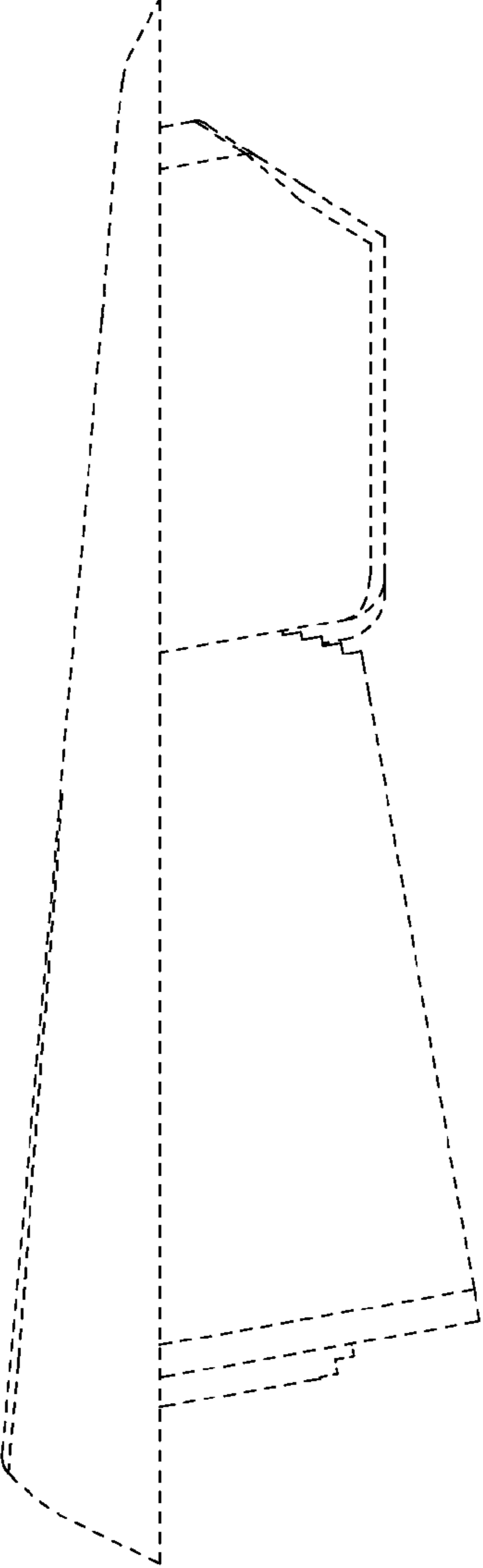


Fig. 7