



US00D581185S

(12) **United States Design Patent**
Annicelli

(10) **Patent No.:** **US D581,185 S**
(45) **Date of Patent:** **** Nov. 25, 2008**

(54) **COIN DISPLAY AND BUSINESS-CARD HOLDER**

(75) Inventor: **Lance L. Annicelli**, Bolling AFB, DC (US)

(73) Assignee: **The United States of America as represented by the Secretary of the Air Force**, Washington, DC (US)

(**) Term: **14 Years**

(21) Appl. No.: **29/291,261**

(22) Filed: **Aug. 14, 2007**

(51) **LOC (8) Cl.** **06-04**

(52) **U.S. Cl.** **D6/457**; D19/91

(58) **Field of Classification Search** D6/469,
D6/457, 396, 397, 449; D9/430, 432; D99/34,
D99/99, 36; D19/10, 11, 32, 90-100; D11/132;
D21/341, 342, 334; 40/124, 323; 206/461,
206/0.8, 0.81, 0.83, 0.84, 486, 775; 211/11;
220/23.4, 23.6

See application file for complete search history.

(56) **References Cited**

U.S. PATENT DOCUMENTS

D244,060 S	4/1977	Friend	
D247,829 S	5/1978	Schnitzer	
D248,692 S	7/1978	Kovar	
D252,775 S	8/1979	Stoffel	
D257,070 S	9/1980	Holmes	
D259,048 S *	4/1981	Peterson	D19/33
D284,322 S *	6/1986	Povitz	D99/34
D332,684 S *	1/1993	Melamed	D99/34

D335,752 S *	5/1993	De La Salud	D99/34
D337,617 S *	7/1993	Hall, Jr.	D19/90
D358,049 S *	5/1995	Wilson	D6/475
D365,484 S *	12/1995	Trattner et al.	D6/571
D390,053 S *	2/1998	Waters	D6/512
5,740,624 A	4/1998	Baseley	
D423,757 S *	4/2000	Briggs	D99/34
D441,223 S *	5/2001	Reeves et al.	D6/470
D449,183 S *	10/2001	Porter et al.	D6/470
D451,684 S	12/2001	Vincent	
D458,799 S	6/2002	Andujar	
D483,418 S	12/2003	Carr et al.	
D495,900 S *	9/2004	Mayse	D6/469

* cited by examiner

Primary Examiner—Caron Veynar

Assistant Examiner—Abraham Bahta

(74) *Attorney, Agent, or Firm*—AFMCLO/JAZ; Paul D. Heydon

(57) **CLAIM**

The ornamental design for a coin display and business-card holder, as shown and described.

DESCRIPTION

FIG. 1 is a perspective view of a coin display and business-card holder showing my new design;

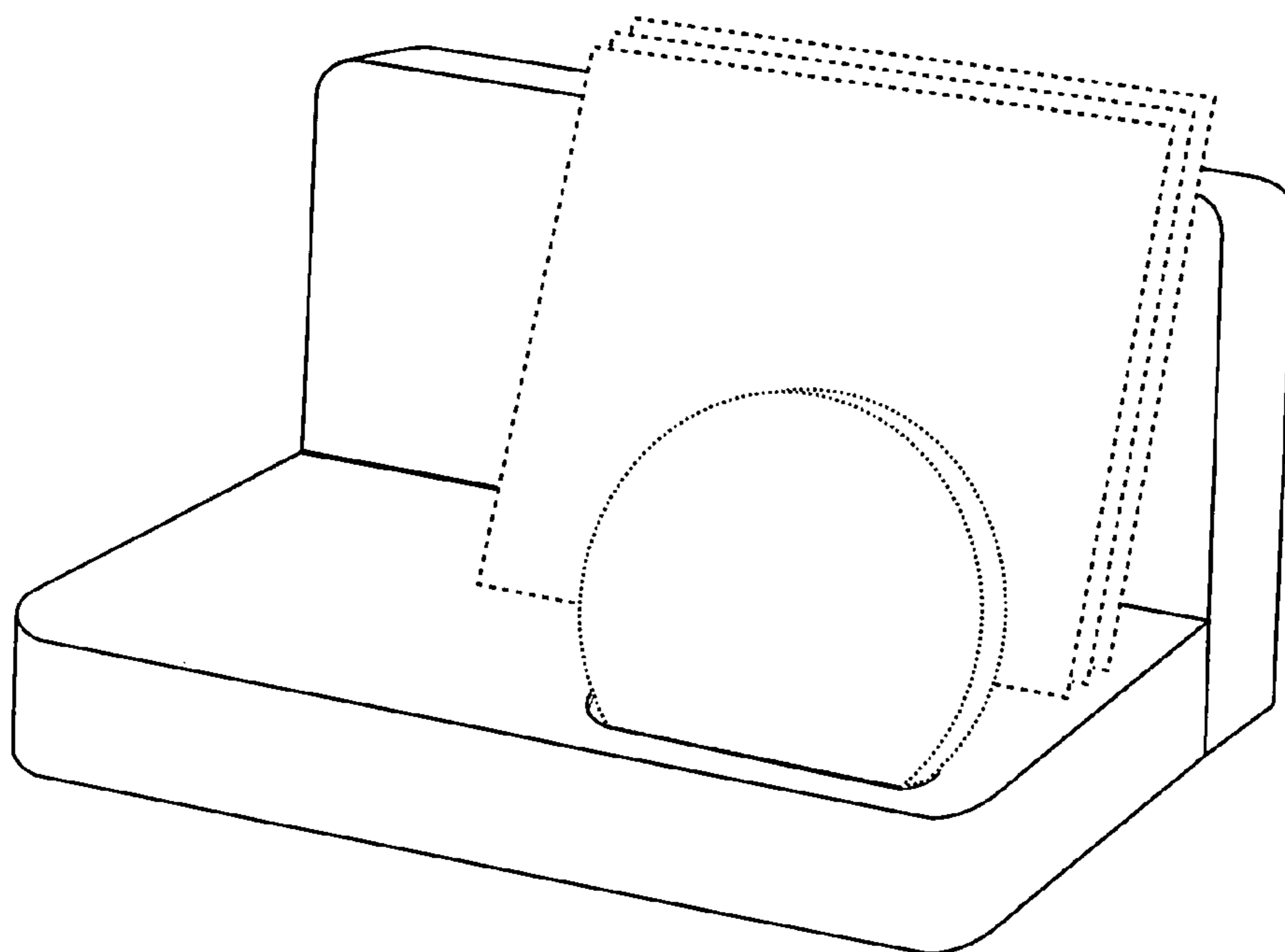
FIG. 2 is a front view thereof;

FIG. 3 is a top view thereof;

FIG. 4 is a left side view, the right being a mirror image thereof; and,

FIG. 5 is a rear view thereof.

1 Claim, 2 Drawing Sheets



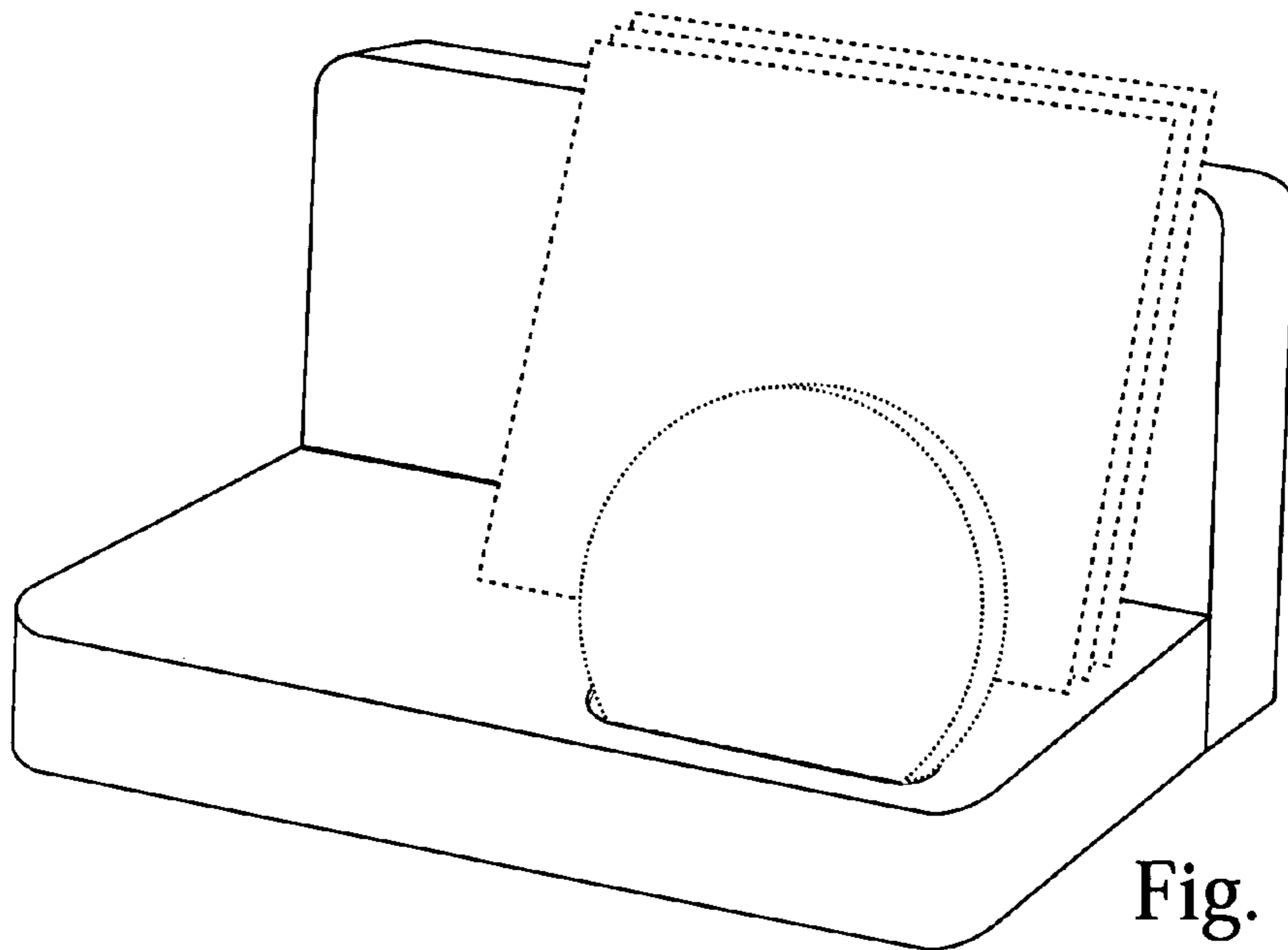


Fig. 1

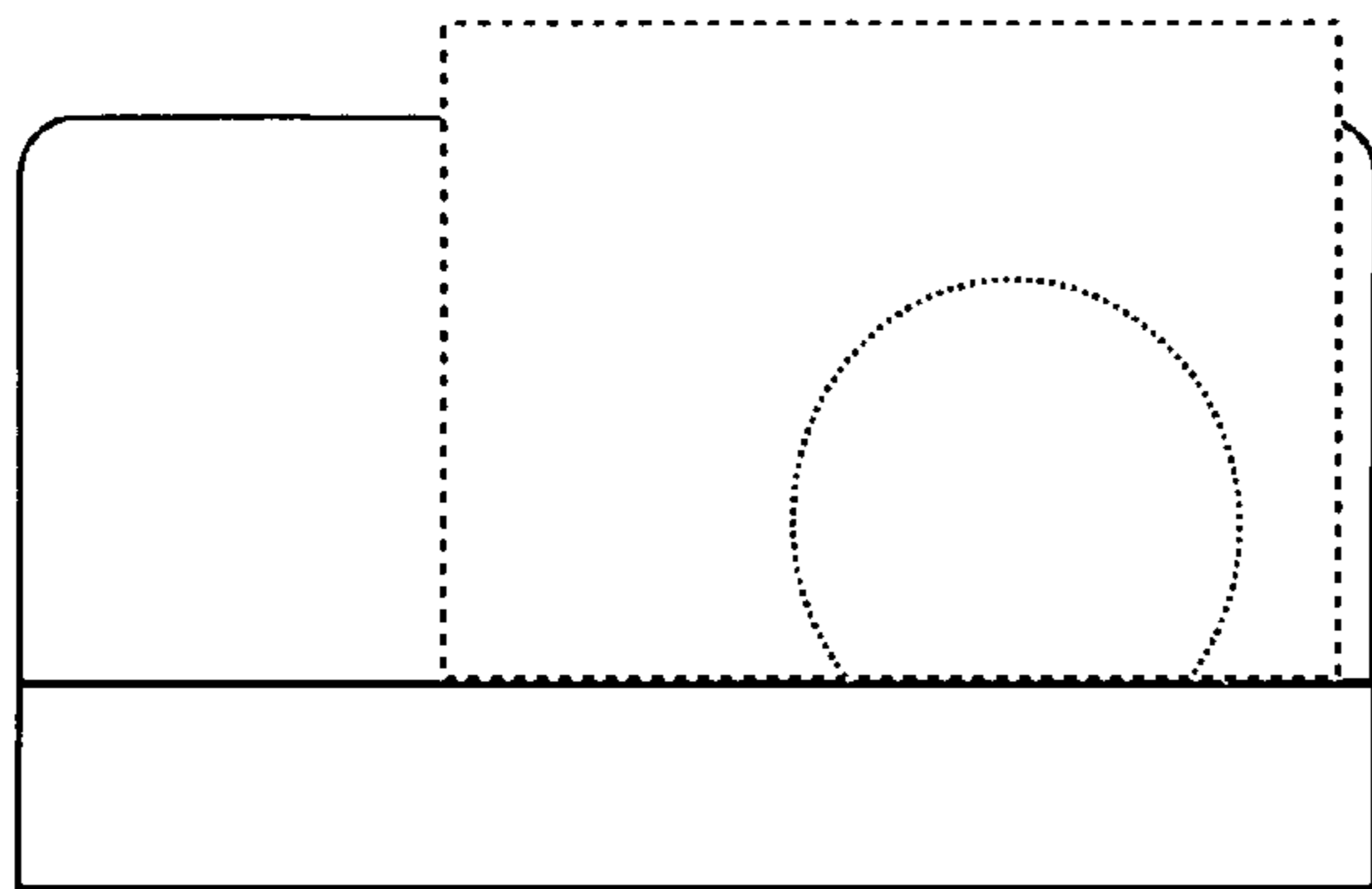


Fig. 2

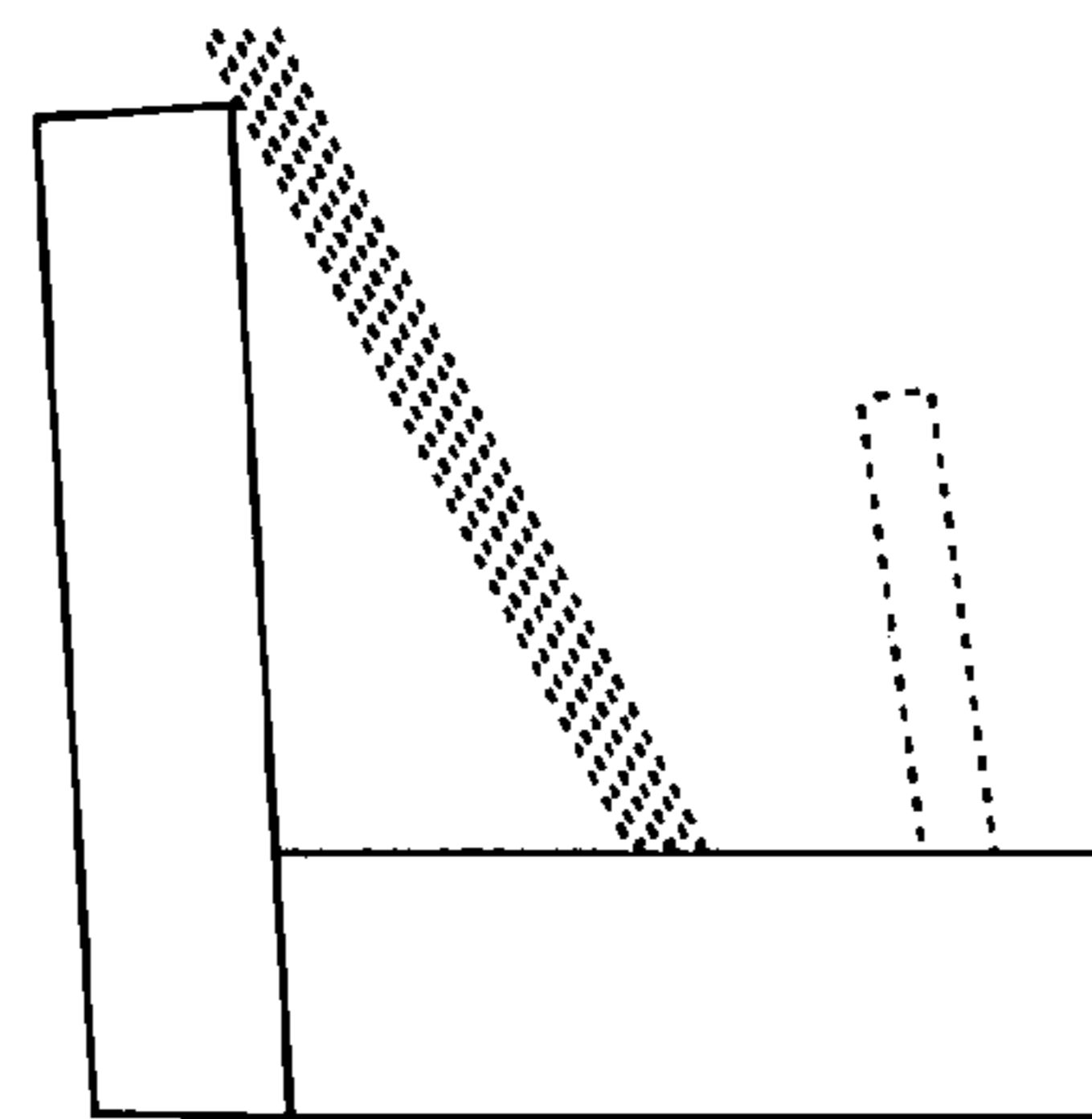


Fig. 4

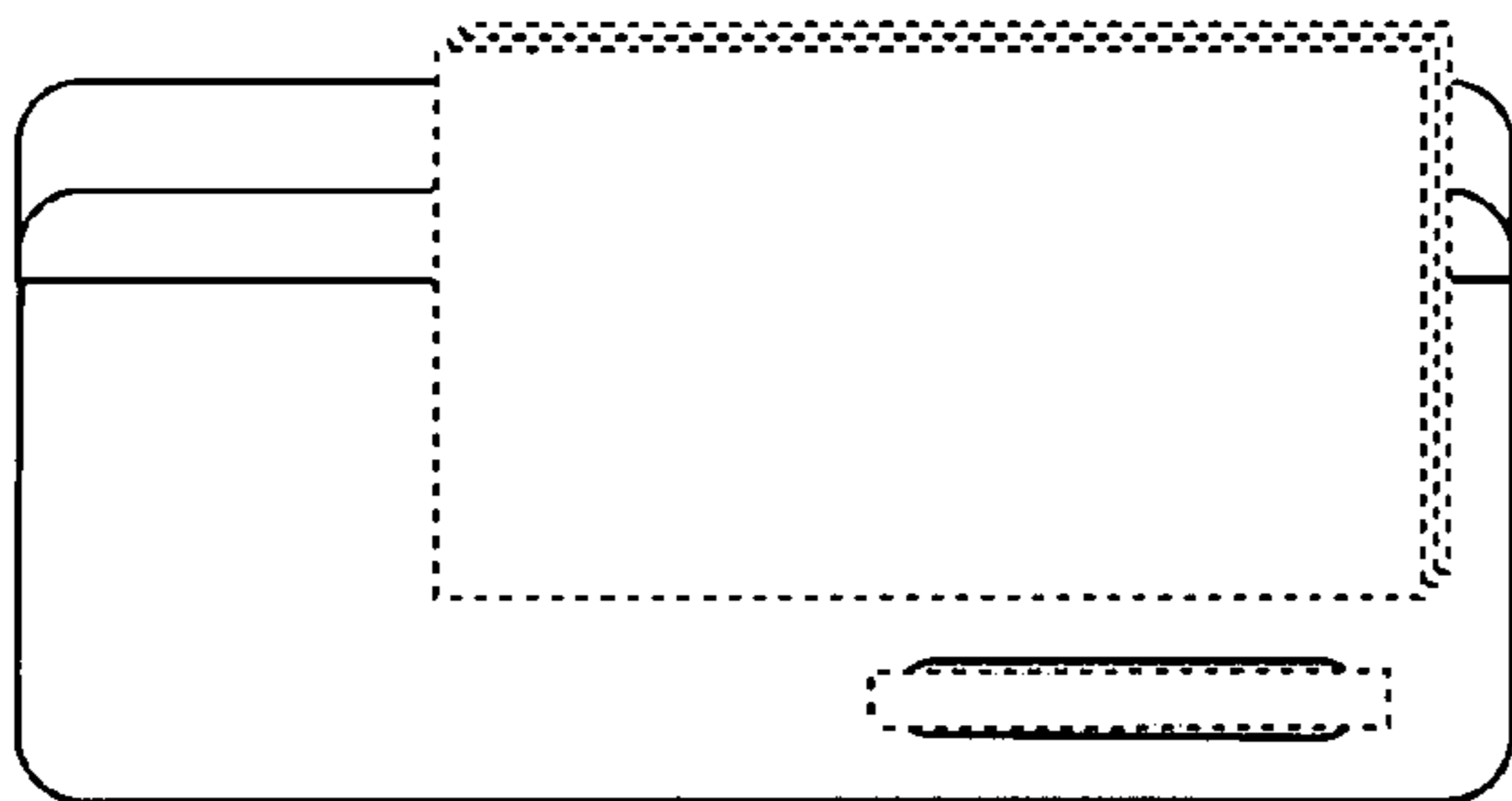


Fig. 3

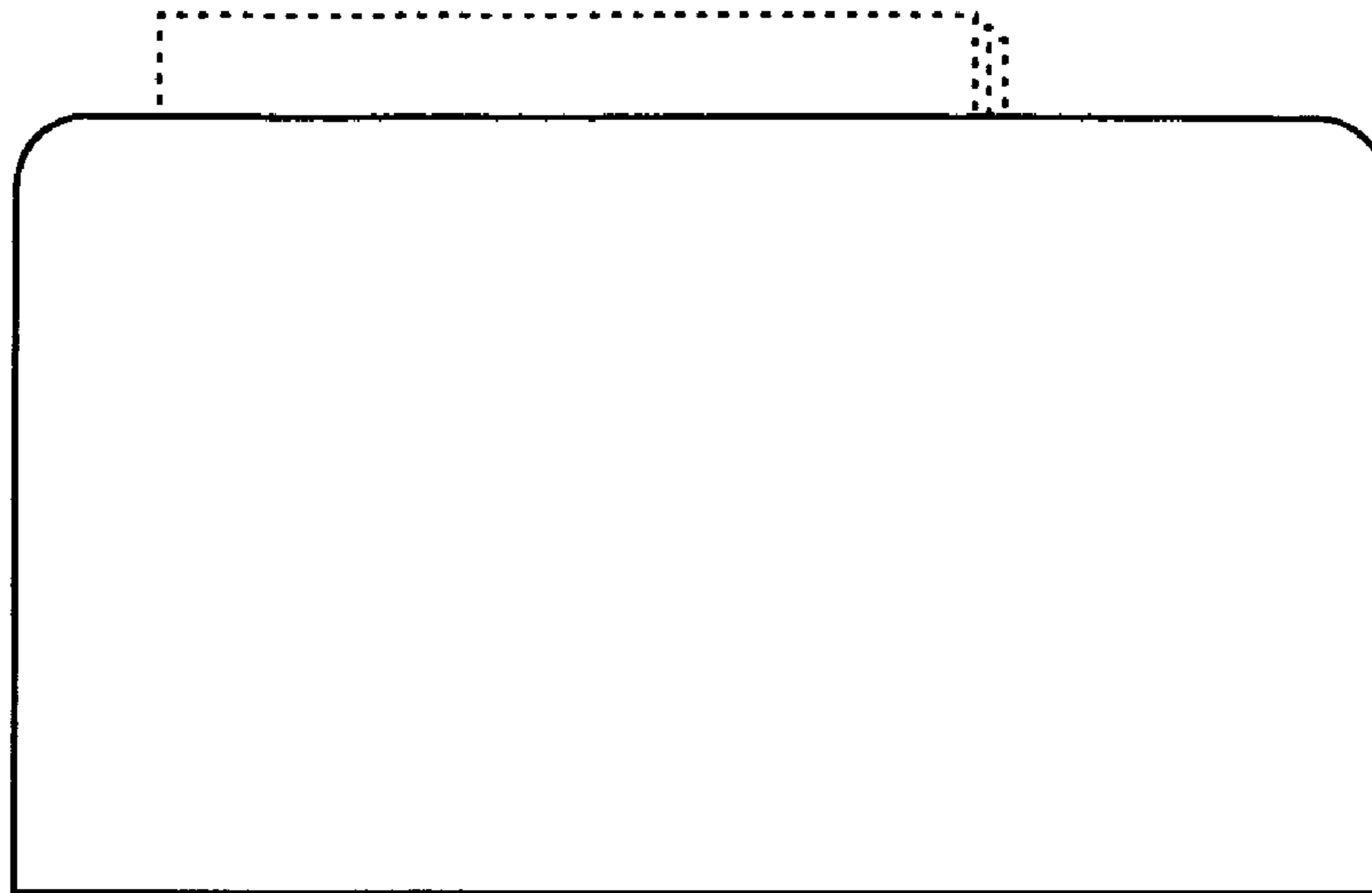


Fig. 5