



US00D581182S

(12) **United States Design Patent**
Kurtz

(10) **Patent No.:** **US D581,182 S**
(45) **Date of Patent:** **** Nov. 25, 2008**

- (54) **SELF-SUPPORTING LIVE GOODS CAGE**
- (75) Inventor: **Jennifer A. Kurtz**, Cheshire, CT (US)
- (73) Assignee: **Hubie Grown, LLC**, Cheshire, CT (US)
- (**) Term: **14 Years**
- (21) Appl. No.: **29/307,293**
- (22) Filed: **Apr. 10, 2008**

D440,321 S *	4/2001	Jones	D25/100
D451,298 S	12/2001	Thomas	D6/404
D526,509 S	8/2006	Glamos	D6/403
7,152,368 B2	12/2006	Swanson	47/46
D545,079 S *	6/2007	Peterson	D6/403
D565,321 S *	4/2008	Voogt	D6/403
D566,857 S *	4/2008	Doyle	D25/100
D568,061 S *	5/2008	Kurtz	D6/405
D569,302 S *	5/2008	Kurtz	D11/155
D569,303 S *	5/2008	Kurtz	D11/155

Related U.S. Application Data

- (62) Division of application No. 29/289,069, filed on Jul. 3, 2007, now Pat. No. Des. 569,303.

- (51) **LOC (8) Cl.** **11-02**
- (52) **U.S. Cl.** **D6/403**
- (58) **Field of Classification Search** D6/403-405, D6/556; D11/143-156; D19/77, 81, 84; D25/100; D26/9; D30/108, 109, 114, 119; 47/32.7, 33, 39, 41.01, 44.11-41.15, 44-47, 47/65.5, 65.9, 66.1, 66.2, 66.6, 66.7, 67-70
See application file for complete search history.

References Cited

U.S. PATENT DOCUMENTS

221,620 A	11/1879	Sikes	47/47
374,906 A	12/1887	Rovane	47/47
2,261,326 A	11/1941	Atkisson et al.	47/41.11
3,113,400 A	12/1963	Emond	47/45
D259,867 S	7/1981	Kenyon et al.	D11/155
D305,800 S *	1/1990	Mottmiller et al.	D25/100
D363,615 S	10/1995	Vukelich, Sr.	D6/405
D369,121 S *	4/1996	Morin	D11/144
D402,431 S *	12/1998	Peterson	D25/100
D419,405 S	1/2000	Wagoner	D8/1
D423,406 S *	4/2000	Grosfillex	D11/155
D424,472 S *	5/2000	Grosfillex	D11/155

FOREIGN PATENT DOCUMENTS

GB 2 057 341 4/1981

* cited by examiner

Primary Examiner—Caron D. Veynar
Assistant Examiner—Garth Rademaker
 (74) *Attorney, Agent, or Firm*—Ware, Fressola, Van Der Sluys & Adolphson

(57) **CLAIM**

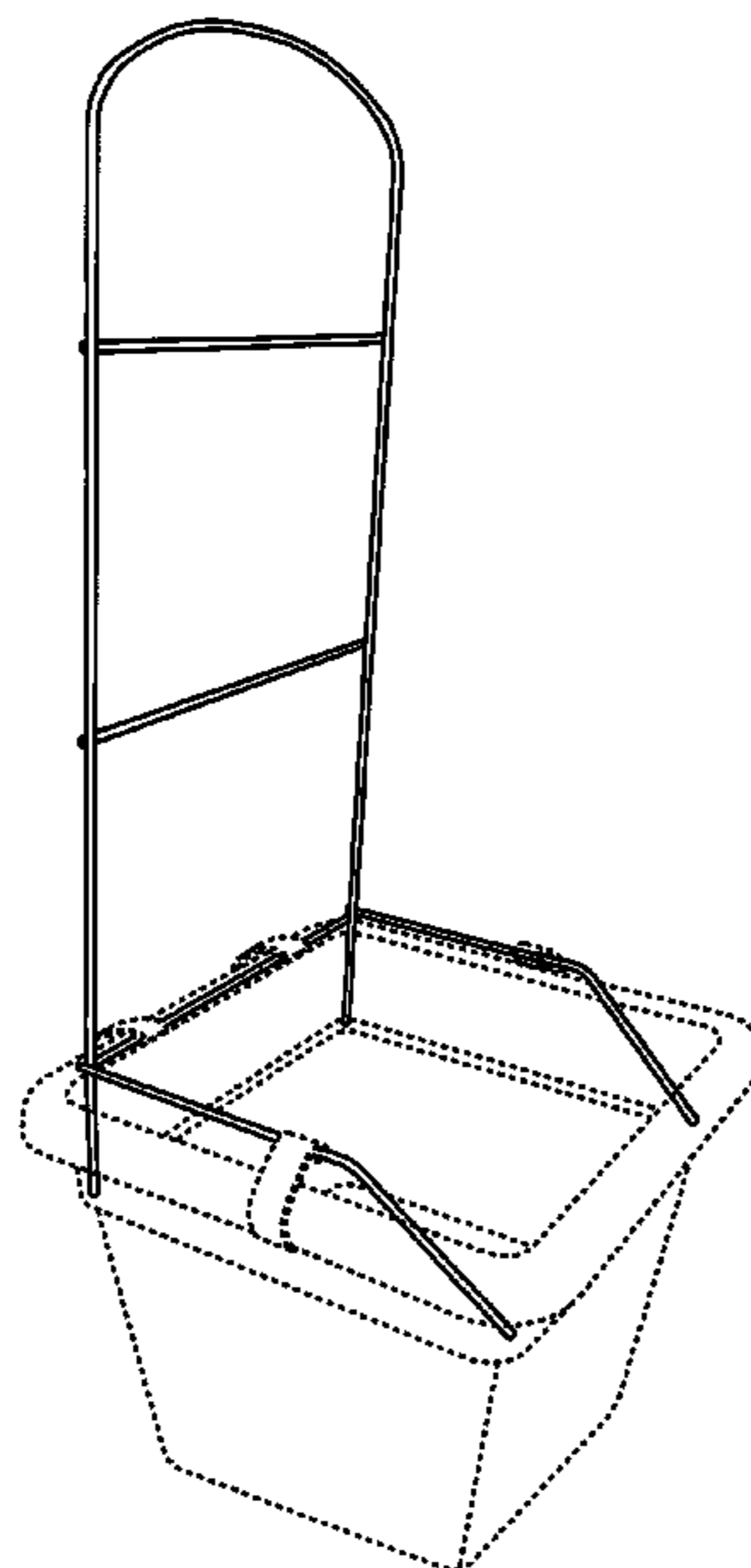
The ornamental design for a self-supporting live goods cage, as shown and described.

DESCRIPTION

FIG. 1 is a perspective view of a self-supporting live goods cage showing my new design;
 FIG. 2 is a front elevation view thereof;
 FIG. 3 is a left side elevation view thereof, the right side elevation view being a mirror image thereof;
 FIG. 4 is a rear elevation view thereof;
 FIG. 5 is a top plan view thereof; and,
 FIG. 6. is a bottom plan view thereof.

The broken lines depict environmental subject matter only and form no part of the claimed design.

1 Claim, 3 Drawing Sheets



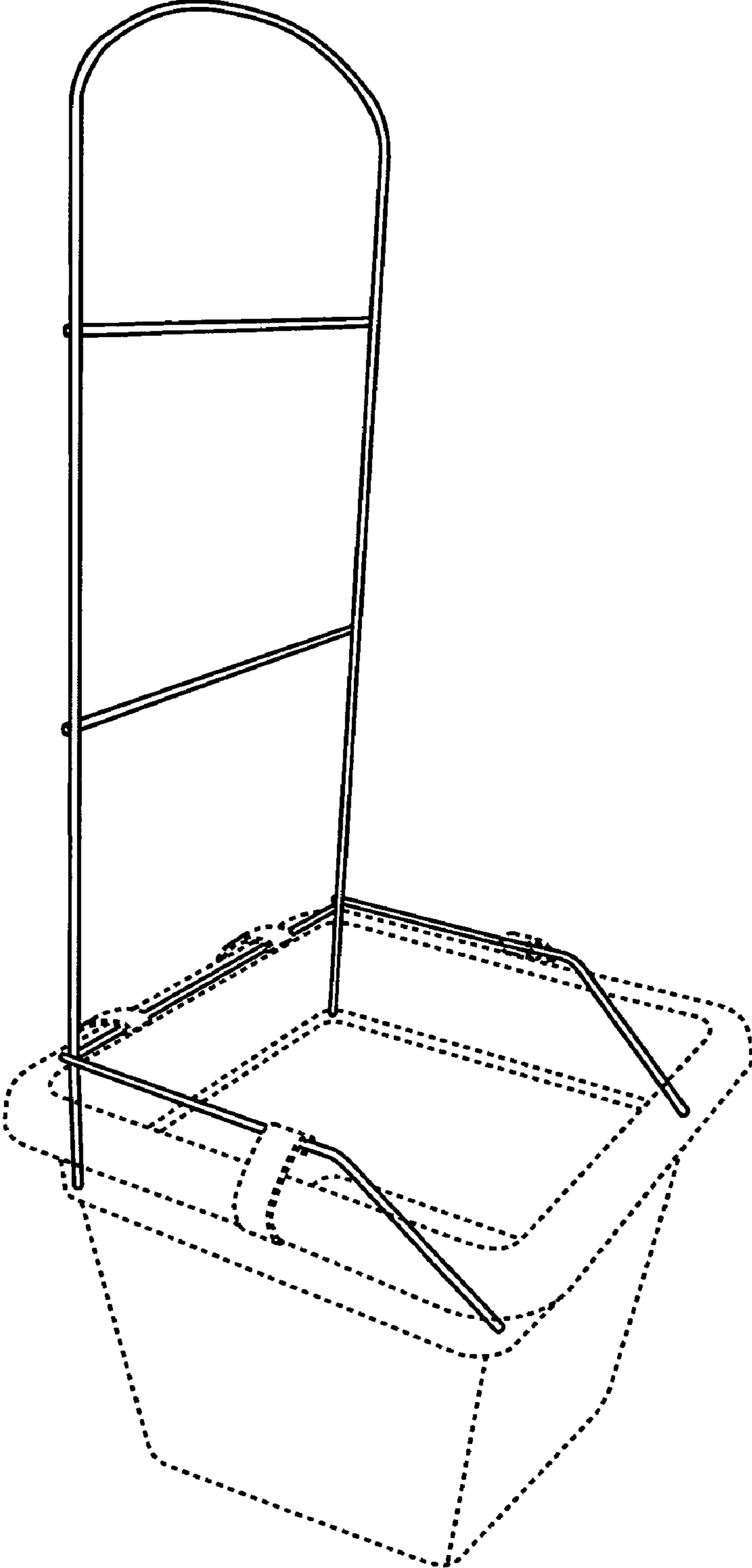


FIG. 1

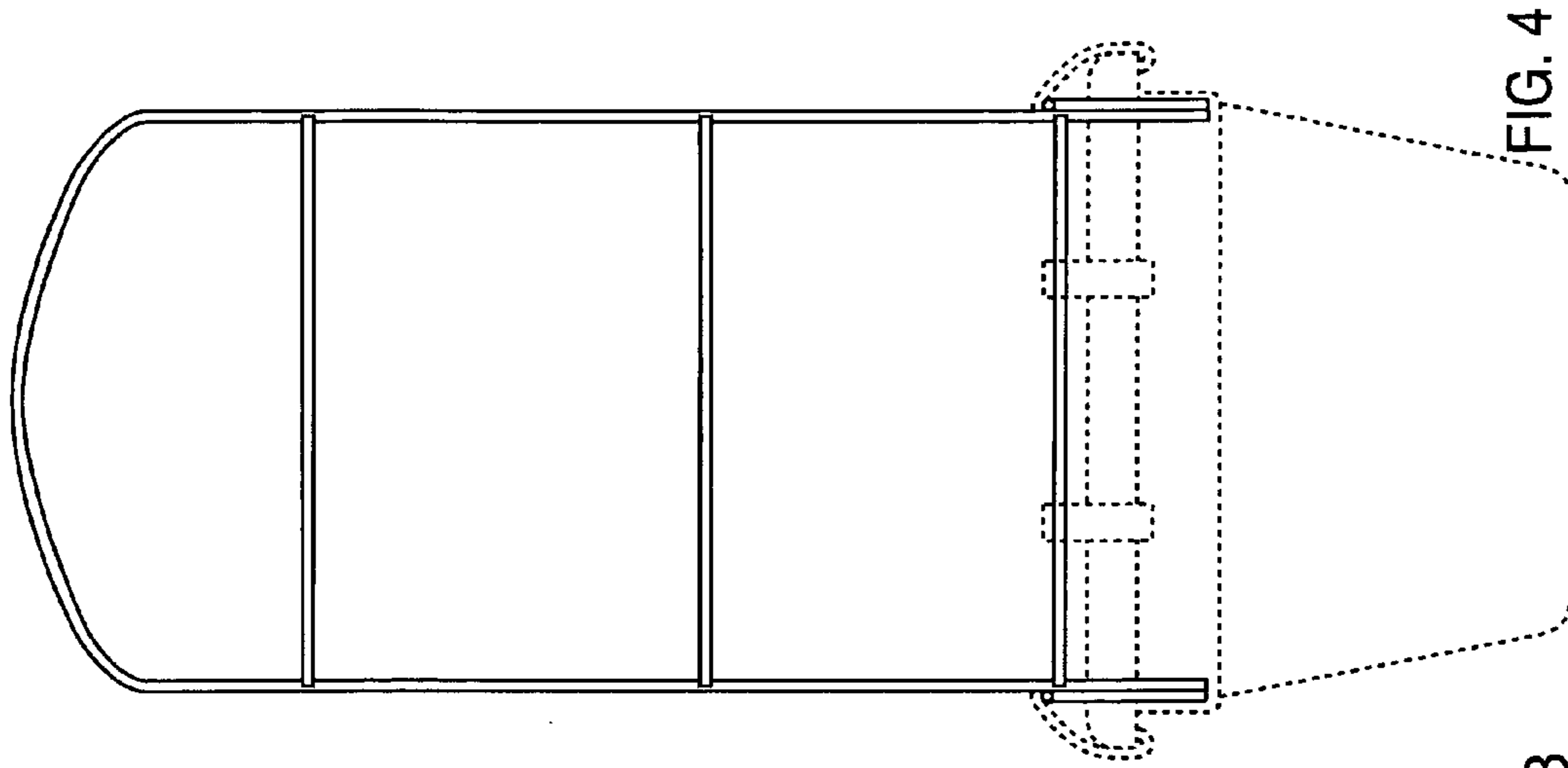


FIG. 4

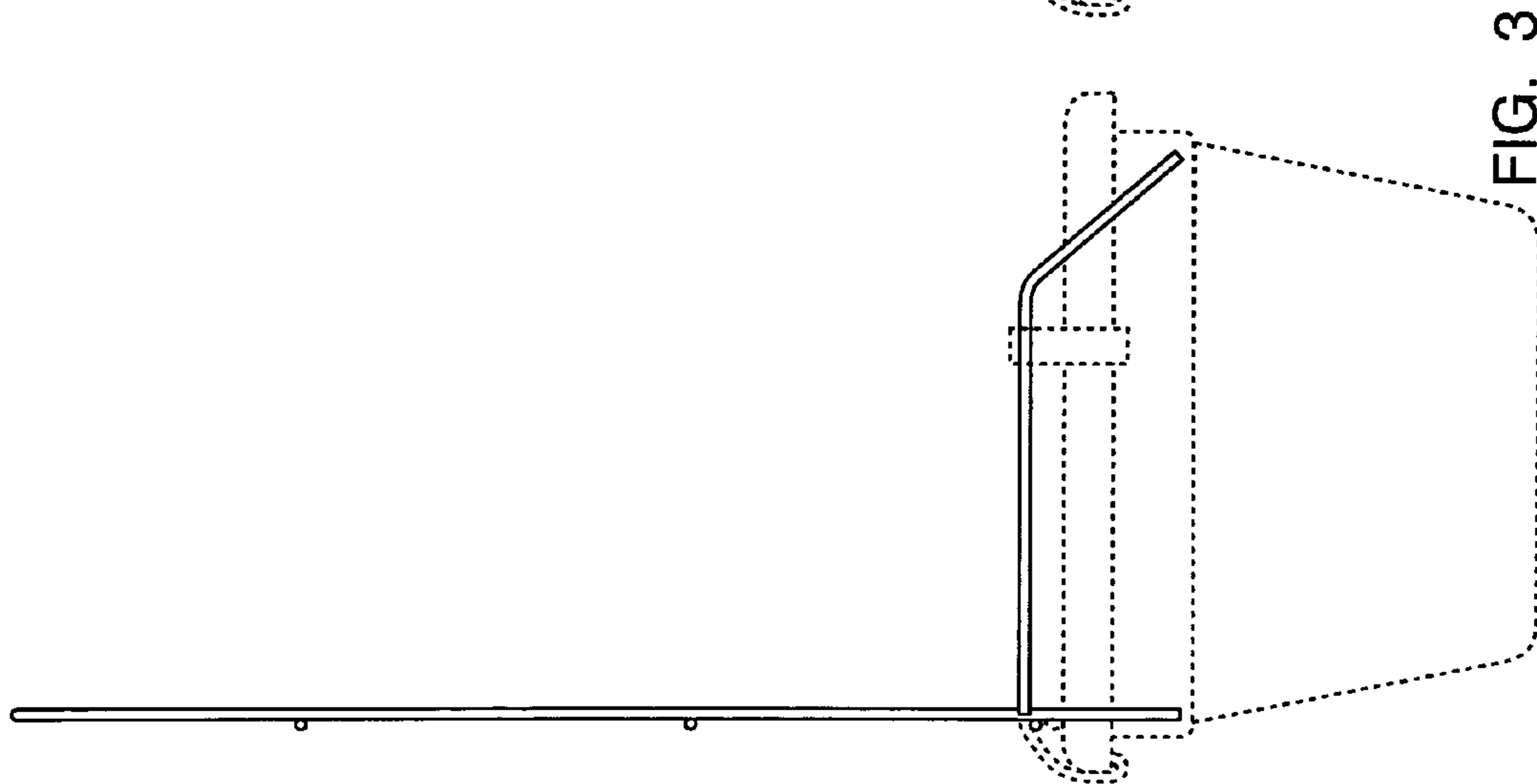


FIG. 3

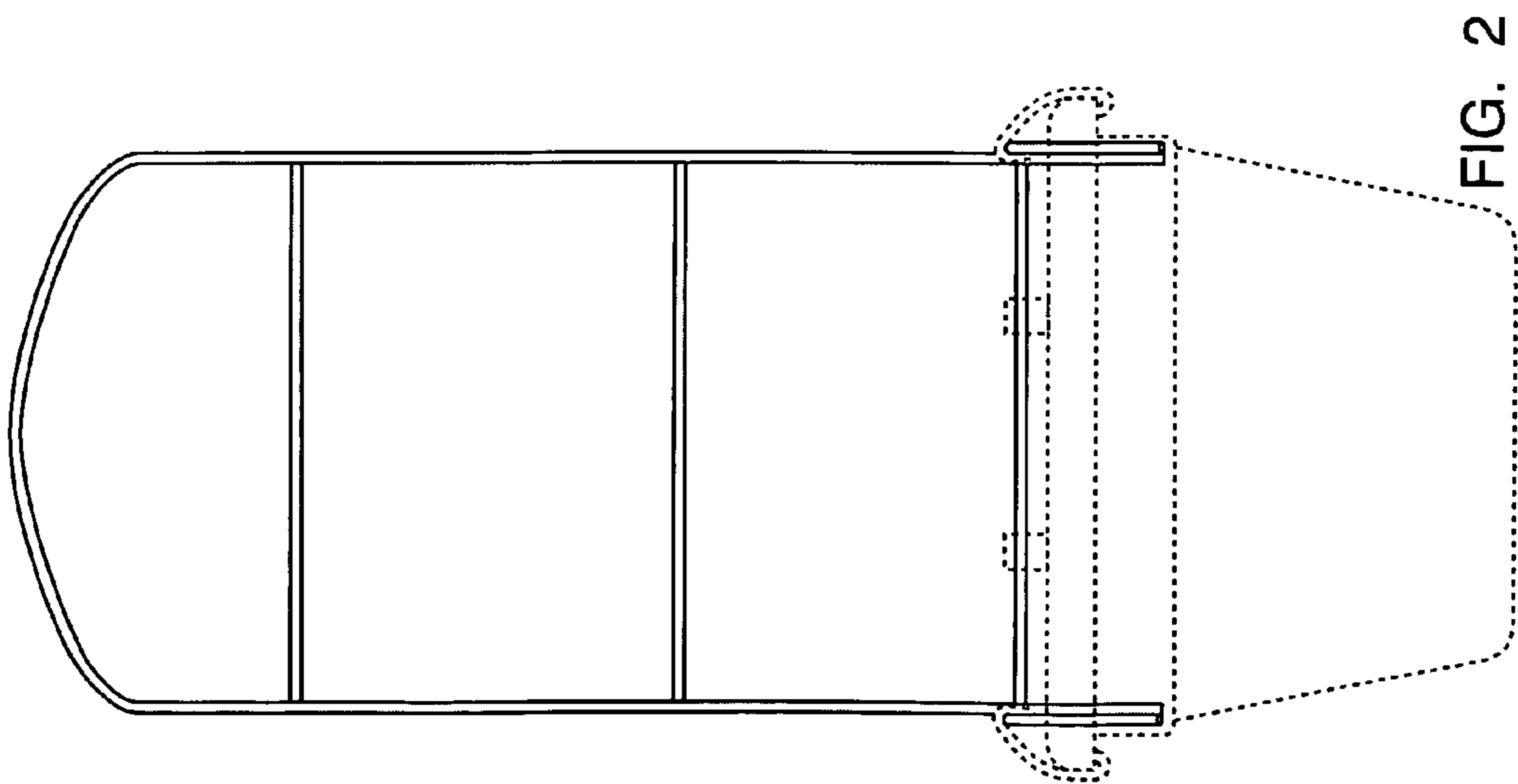


FIG. 2

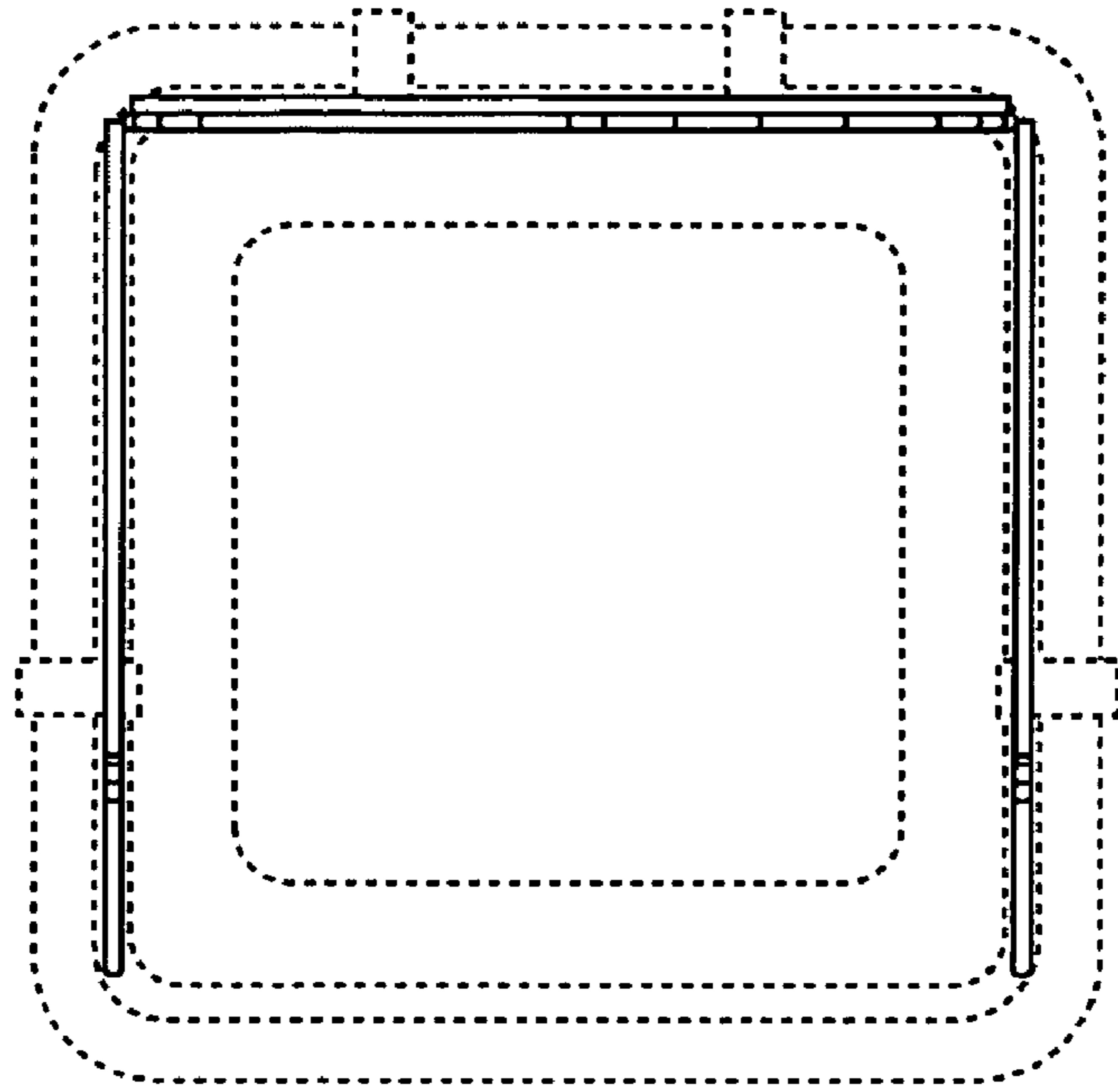


FIG. 5

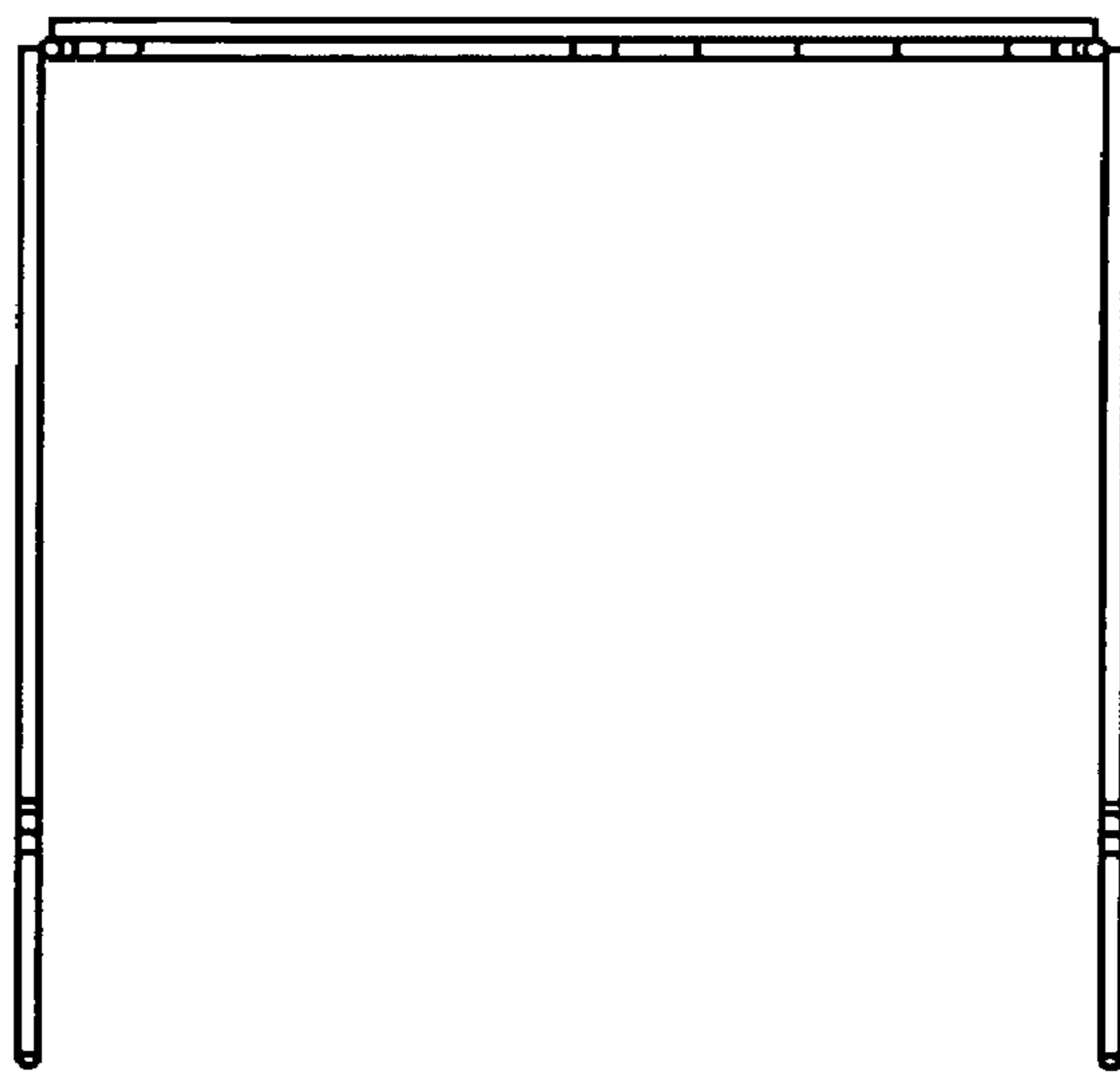


FIG. 6