



US00D581181S

(12) **United States Design Patent**
Johnson, Jr.

(10) **Patent No.:** **US D581,181 S**

(45) **Date of Patent:** **** Nov. 25, 2008**

(54) **ROLLABLE PLANT SUPPORT**

(76) **Inventor:** **Fred B. Johnson, Jr.**, 8418 Naketa La.,
Mukilteo, WA (US) 98275

(**) **Term:** **14 Years**

(21) **Appl. No.:** **29/298,735**

(22) **Filed:** **Dec. 12, 2007**

(51) **LOC (8) Cl.** **11-02**

(52) **U.S. Cl.** **D6/403**

(58) **Field of Classification Search** D6/403-405,
D6/556-558; D9/435, 444, 445, 451-453;
D11/143, 144, 146-149, 152; D25/100;
47/33, 39, 41.01, 41.1, 41.12-41.14, 43-47,
47/65.5, 70; 238/27.8

See application file for complete search history.

(56) **References Cited**

U.S. PATENT DOCUMENTS

D235,248 S *	6/1975	Bennet	D9/430
D239,692 S *	4/1976	Ashton	D7/388
D241,388 S *	9/1976	McClung et al.	D6/403
D255,857 S *	7/1980	Zimmermann	D11/143
D256,308 S *	8/1980	Zimmermann	D11/143
D316,752 S *	5/1991	Ricketts	D24/226
D380,937 S *	7/1997	Beckerman et al.	D7/554.1
D444,733 S *	7/2001	Tanner et al.	D11/143

D446,746 S *	8/2001	Simmons	D11/143
D503,562 S *	4/2005	Sellers	D6/403
D555,389 S *	11/2007	Kershaw	D6/403
D564,251 S *	3/2008	Doyle et al.	D6/403

* cited by examiner

Primary Examiner—Caron D. Veynar

Assistant Examiner—Garth Rademaker

(74) *Attorney, Agent, or Firm*—Fish & Richardson P.C.

(57) **CLAIM**

The ornamental design for a rollable plant support, substantially as shown and described.

DESCRIPTION

FIG. 1 is a perspective view of a rollable plant support.

FIG. 2 is a top view of a rollable plant support.

FIG. 3 is a bottom view of a rollable plant support.

FIG. 4 is a front view of a rollable plant support.

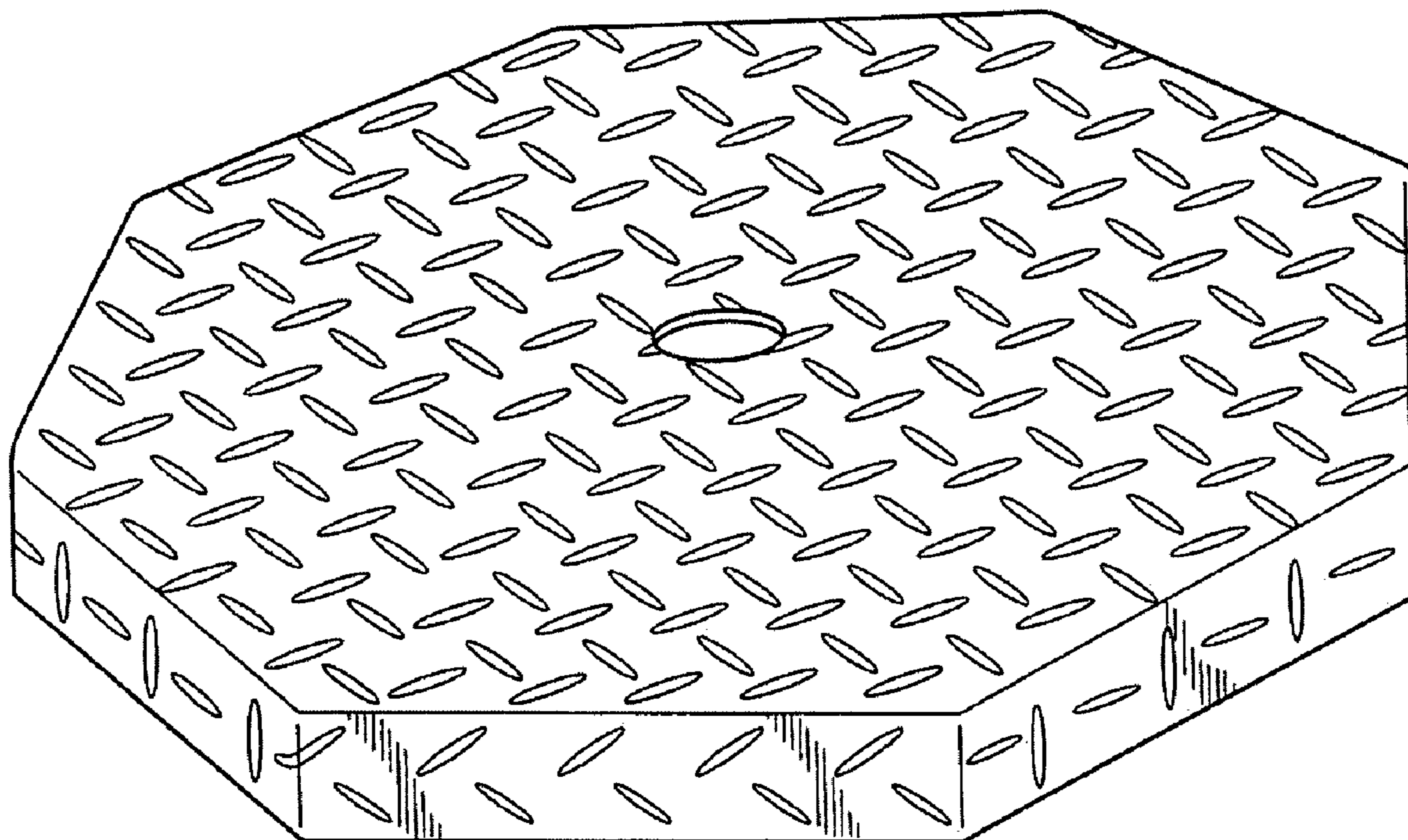
FIG. 5 is a right side view of a rollable plant support.

FIG. 6 is a back view of a rollable plant support; and,

FIG. 7 is a left side view of a rollable plant support.

The broken lines depict environmental subject matter only and form no part of the claimed design.

1 Claim, 3 Drawing Sheets



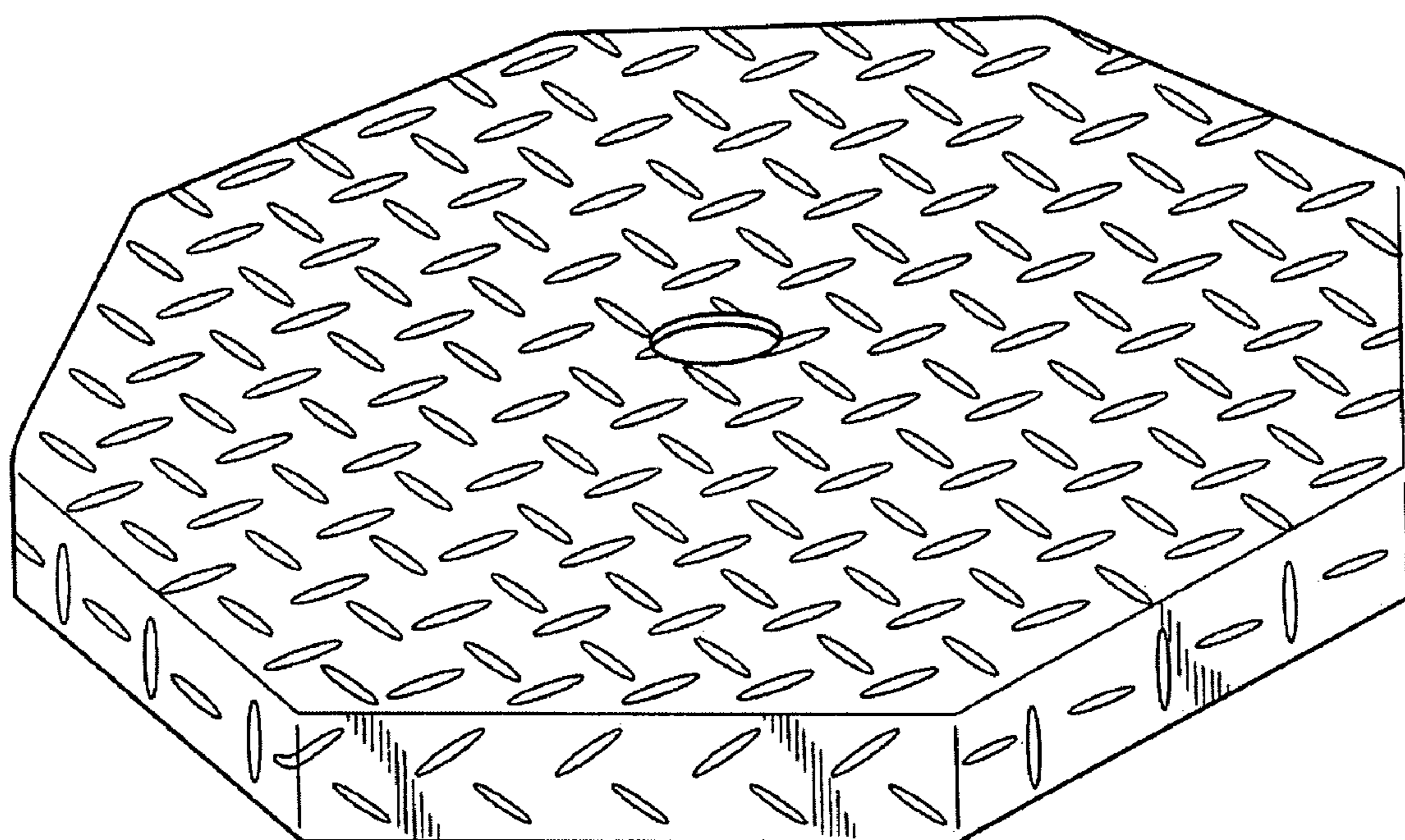


FIG. 1

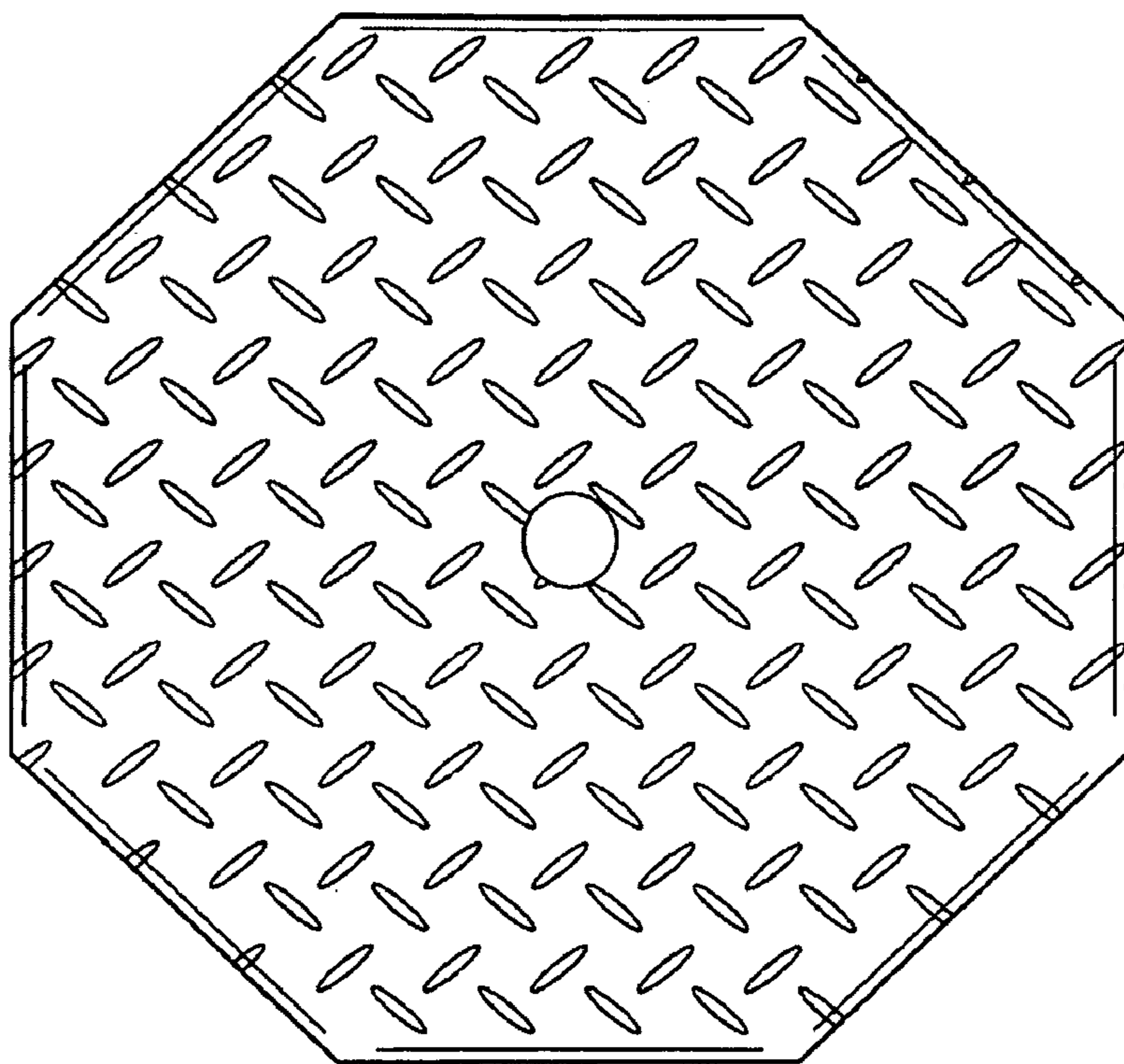


FIG. 2

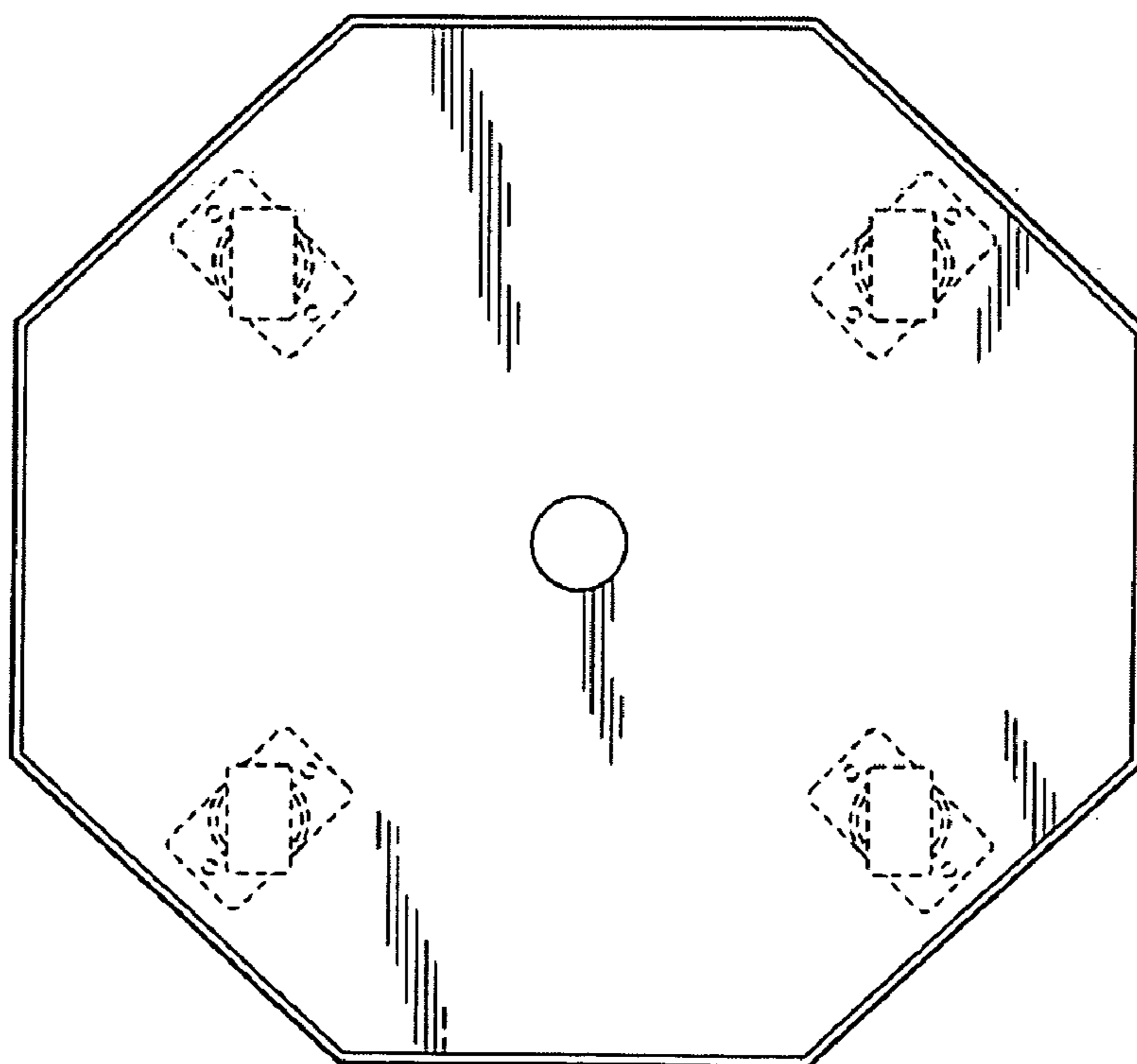


FIG. 3

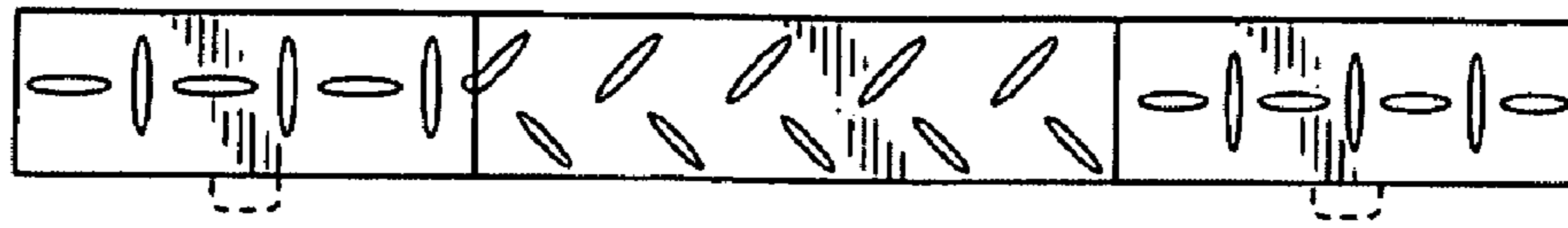


FIG. 4

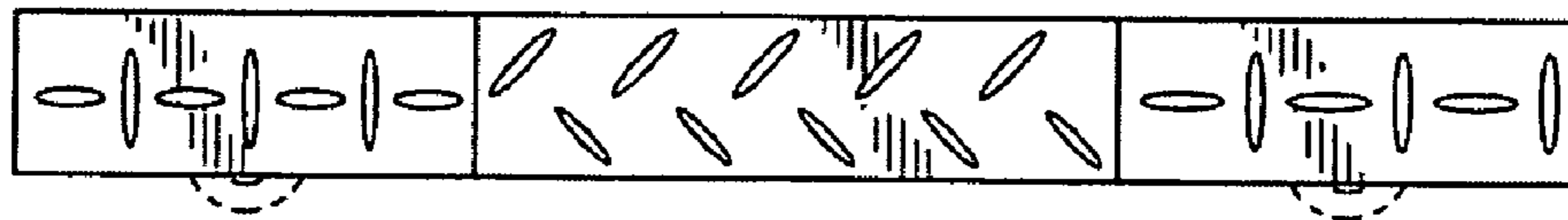


FIG. 5

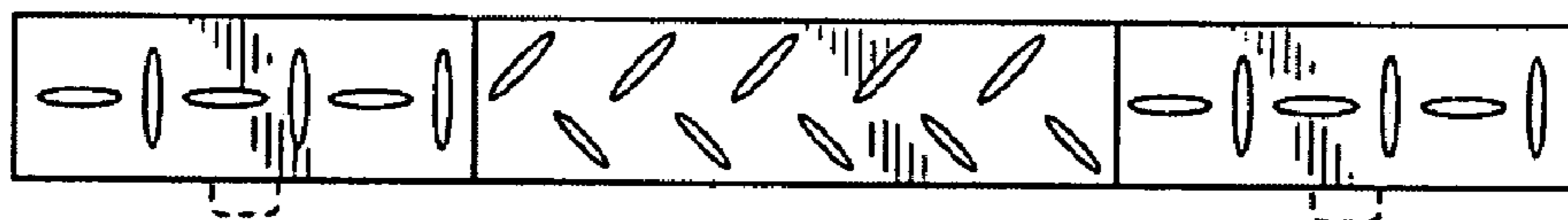


FIG. 6

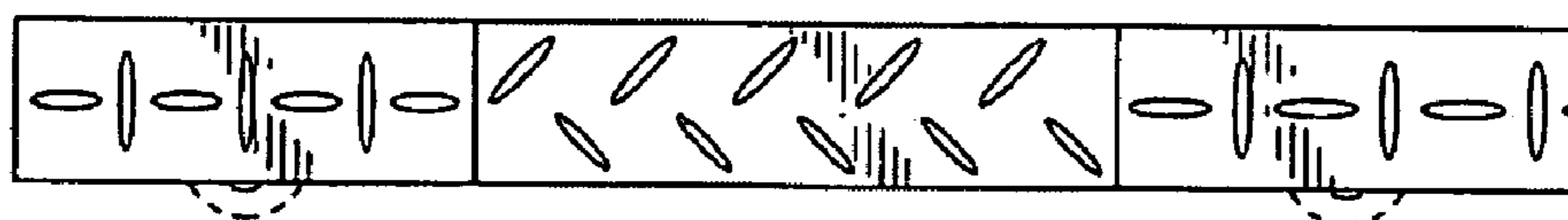


FIG. 7