



US00D581175S

(12) **United States Design Patent**
Lee

(10) **Patent No.:** **US D581,175 S**
(45) **Date of Patent:** **** Nov. 25, 2008**

(54) **CHAIR SWING**

2003/0042776 A1* 3/2003 Tseng 297/281

(76) Inventor: **Lawrence K. Lee**, 9320 Harwin Dr.,
Houston, TX (US) 77036

* cited by examiner

Primary Examiner—Mimosa De
(74) *Attorney, Agent, or Firm*—Egbert Law Offices

(**) Term: **14 Years**

(21) Appl. No.: **29/282,779**

(57) **CLAIM**

(22) Filed: **Jul. 29, 2007**

The ornamental design for a chair swing, as shown and described.

(51) **LOC (8) Cl.** **06-01**

(52) **U.S. Cl.** **D6/347**

(58) **Field of Classification Search** D6/334–336,
D6/344, 346, 347, 348, 370, 374, 376, 379,
D6/380, 381, 500–502; 297/232, 273, 277,
297/280, 281, 452.2, 452.63; 472/118, 125

See application file for complete search history.

DESCRIPTION

The chair swing is a piece of furniture for sitting. The chair swing includes seat suspended from a frame.

FIG. 1 is an upper perspective view of the chair swing showing my design.

FIG. 2 is a front view thereof;

FIG. 3 is a back view thereof;

FIG. 4 is a side view thereof;

FIG. 5 is an opposite side view thereof;

FIG. 6 is top view thereof; and,

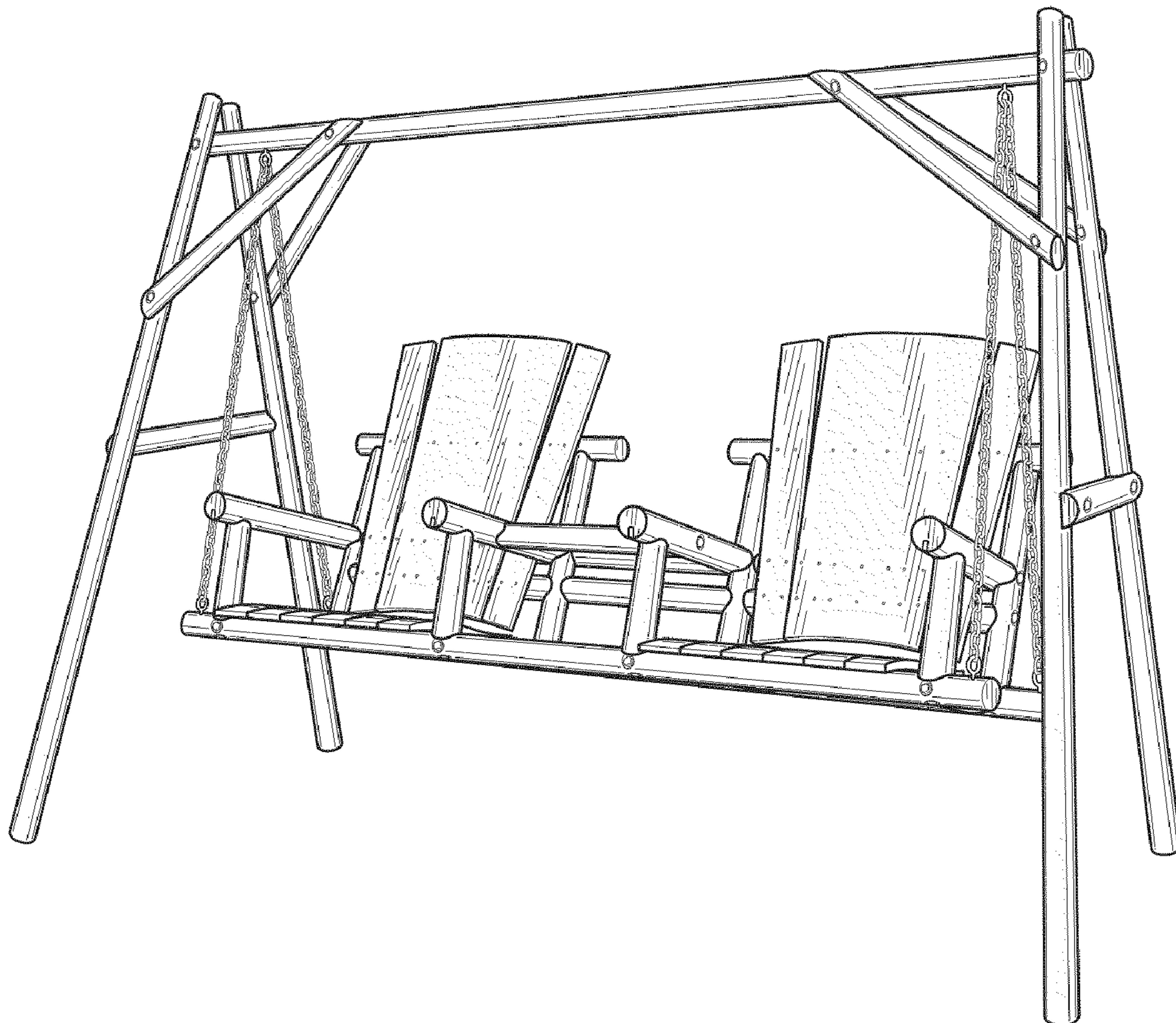
FIG. 7 is a bottom view thereof.

(56) **References Cited**

U.S. PATENT DOCUMENTS

D135,694 S *	5/1943	Smith	D6/347
D450,938 S *	11/2001	Liu	D6/347
D457,332 S *	5/2002	Liu	D6/347
6,585,319 B2 *	7/2003	Tseng	297/277
6,767,056 B2 *	7/2004	Tseng	297/248
D503,290 S *	3/2005	Tseng	D6/347

1 Claim, 3 Drawing Sheets



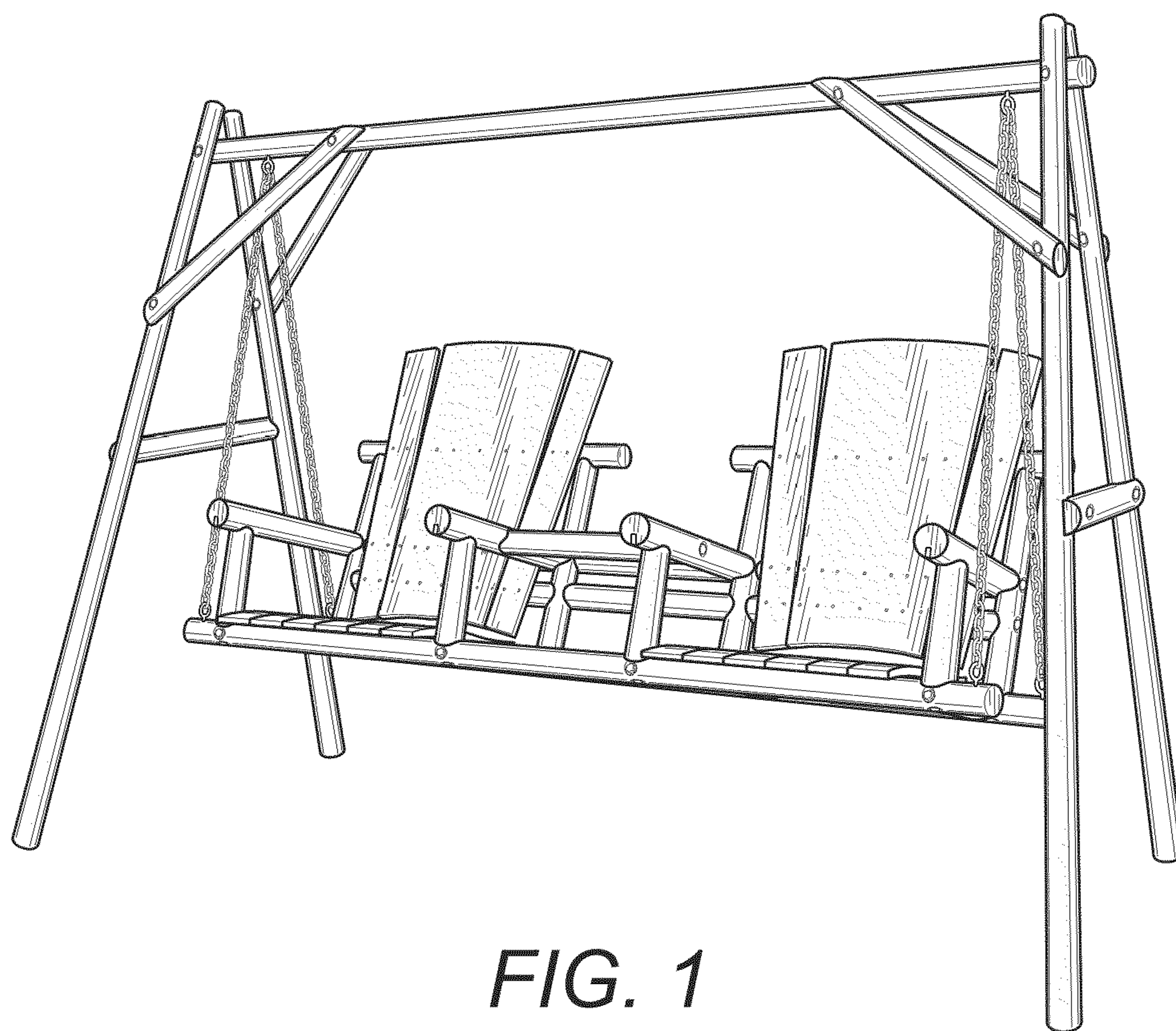


FIG. 1

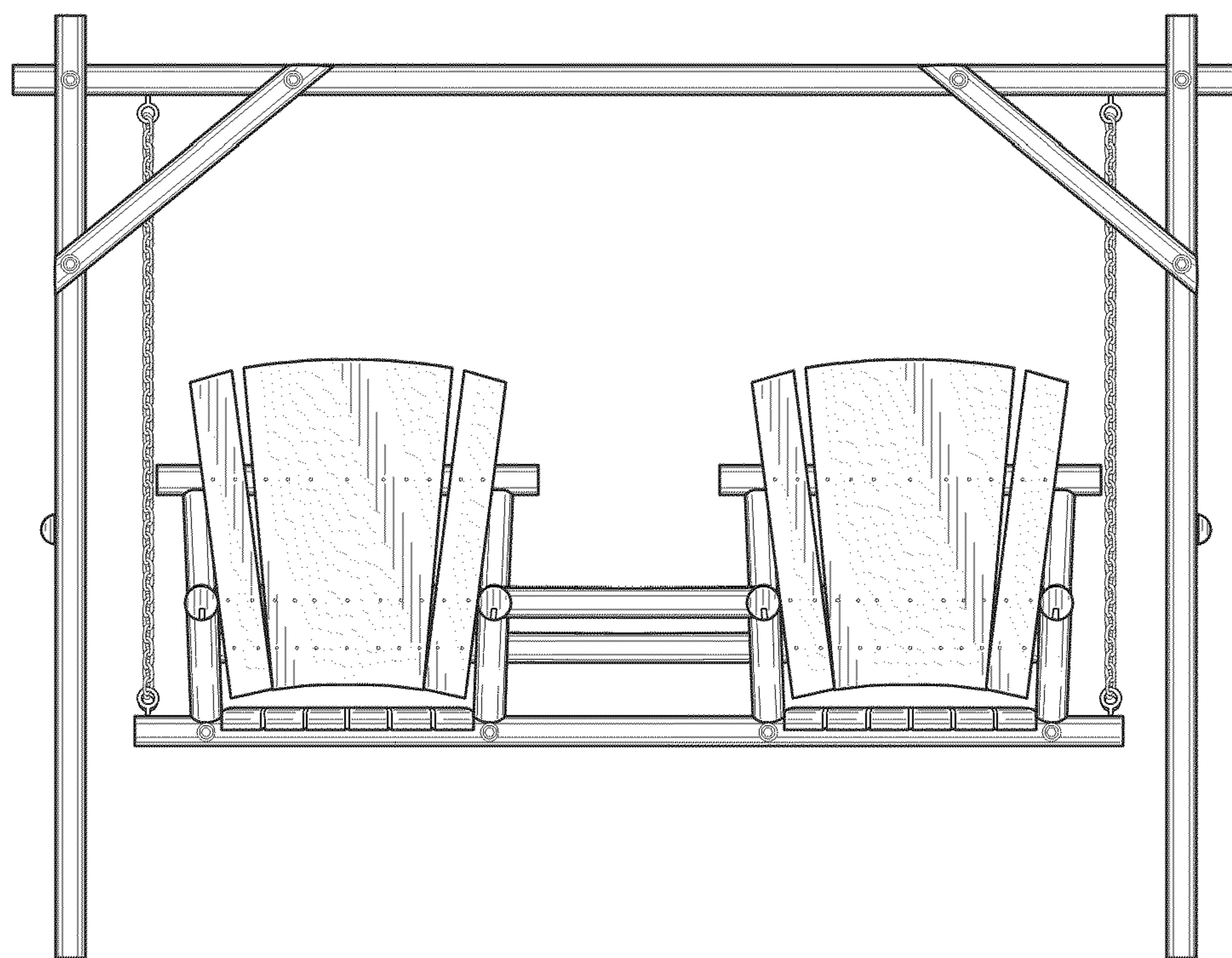


FIG. 2

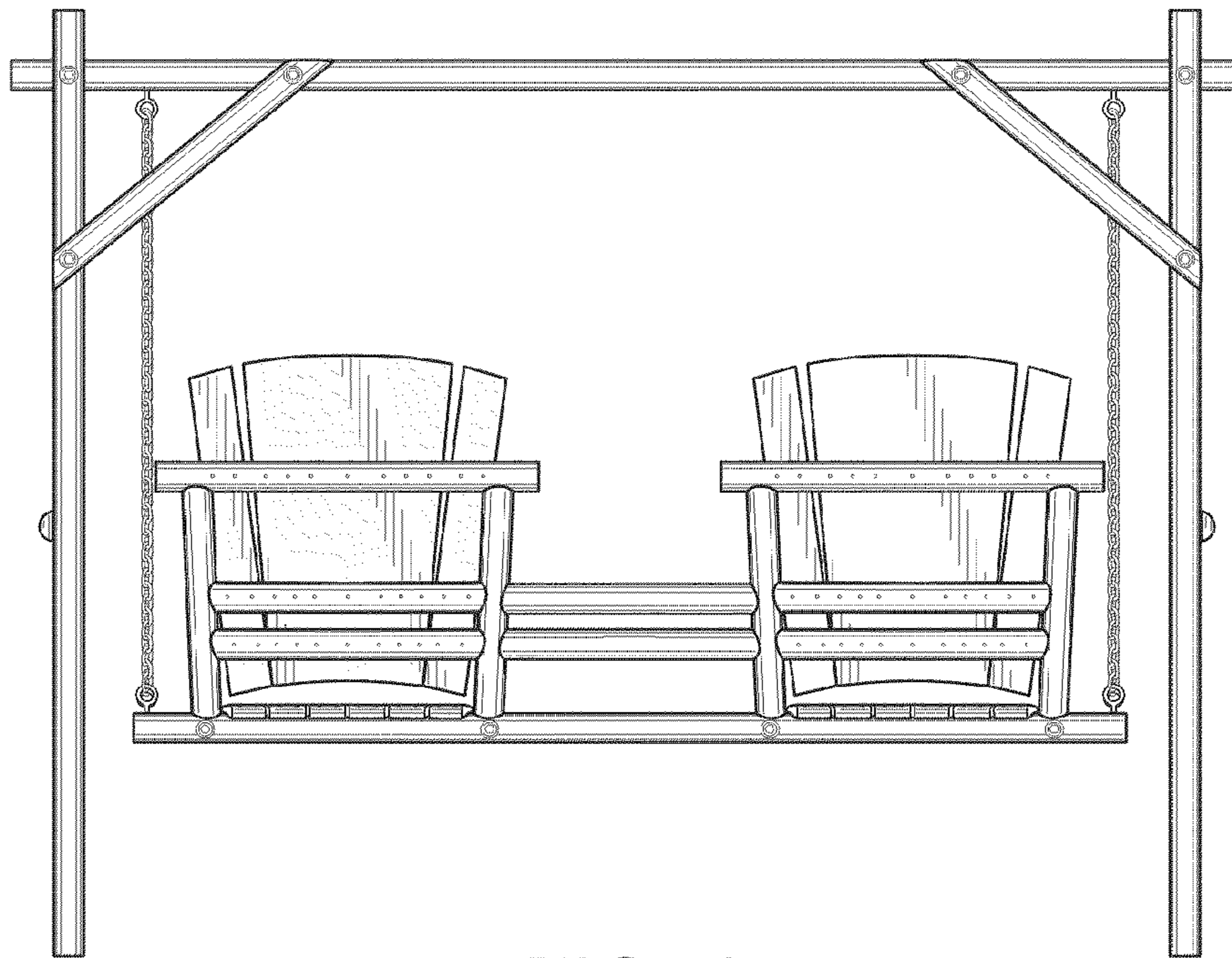


FIG. 3

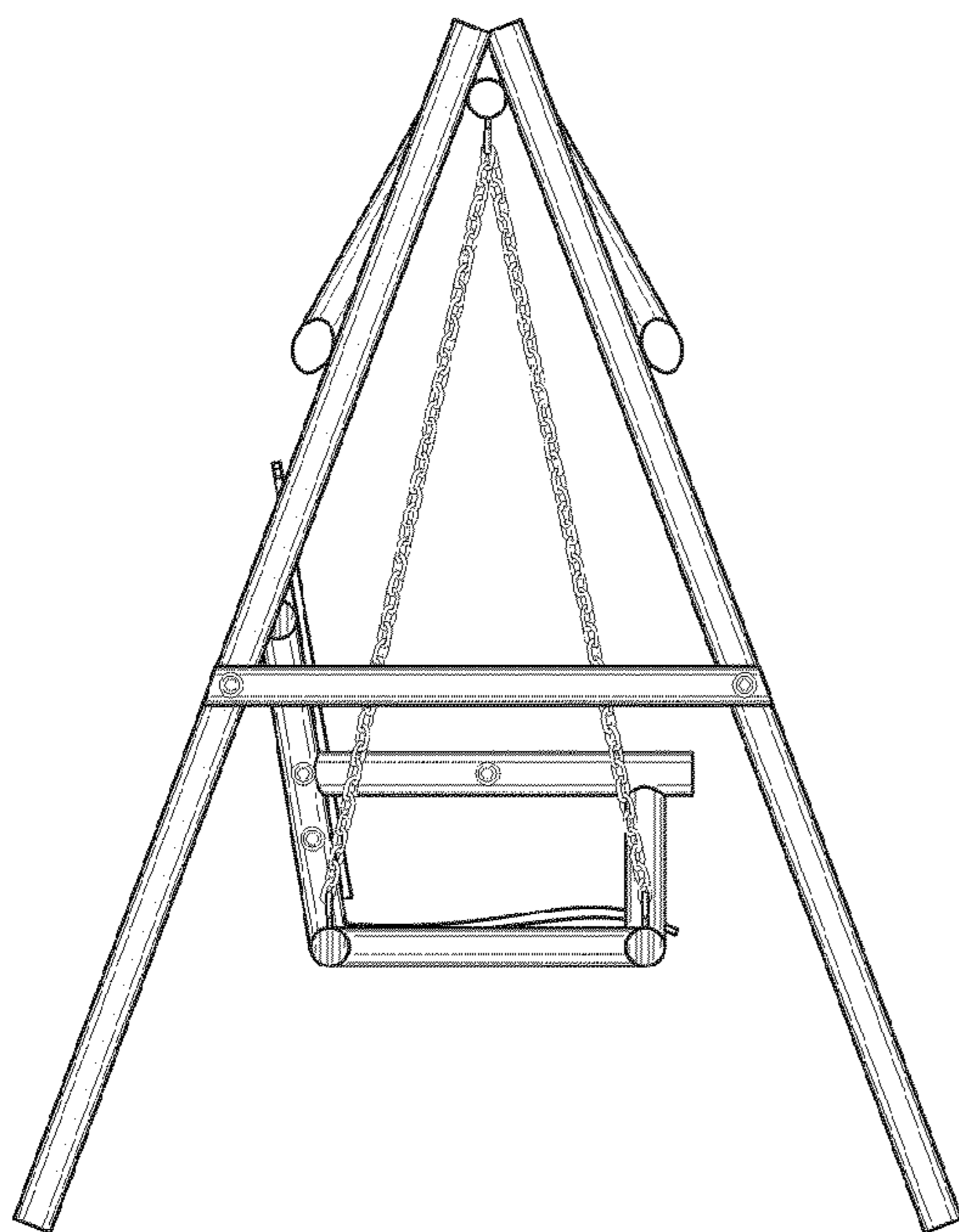


FIG. 4

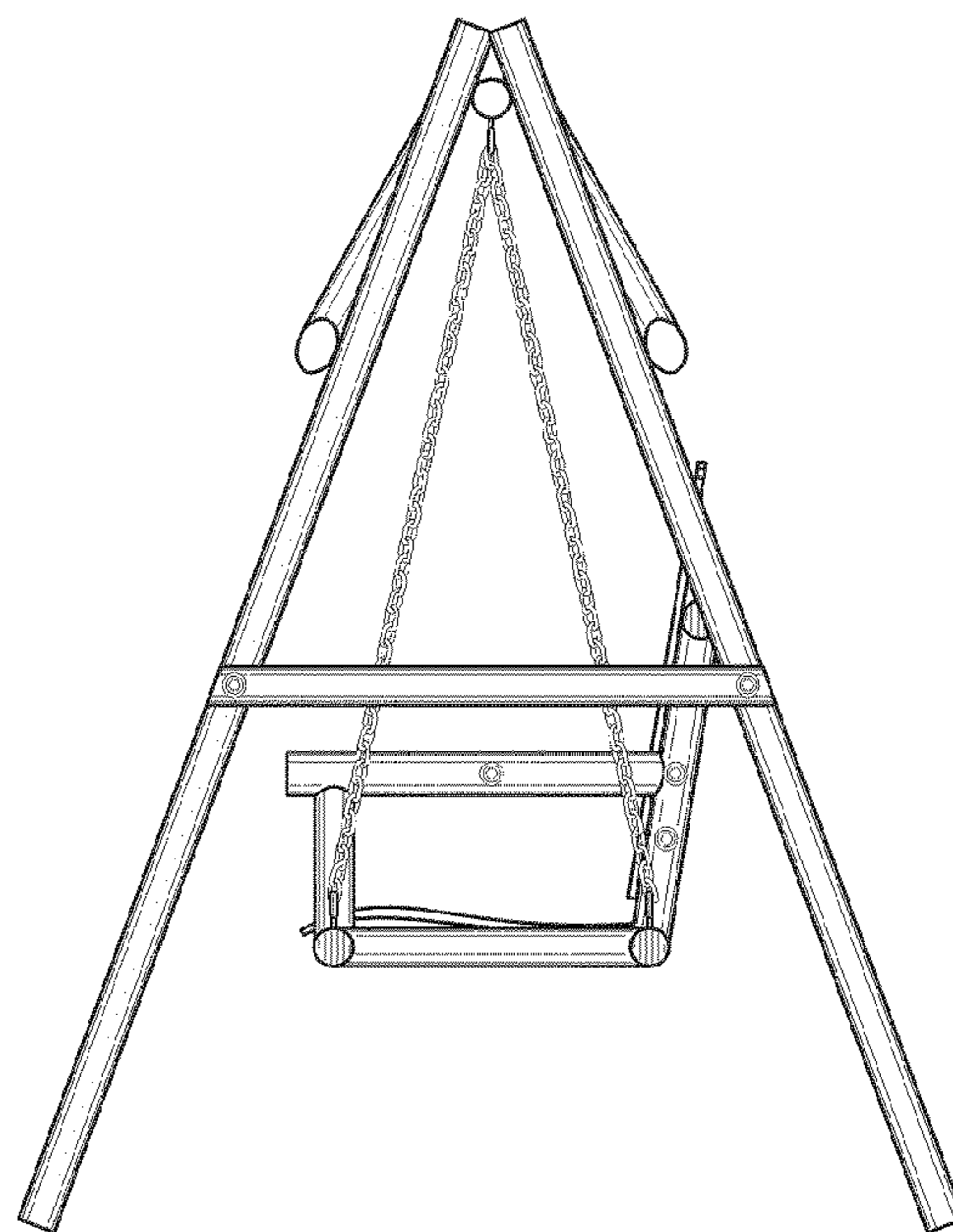


FIG. 5

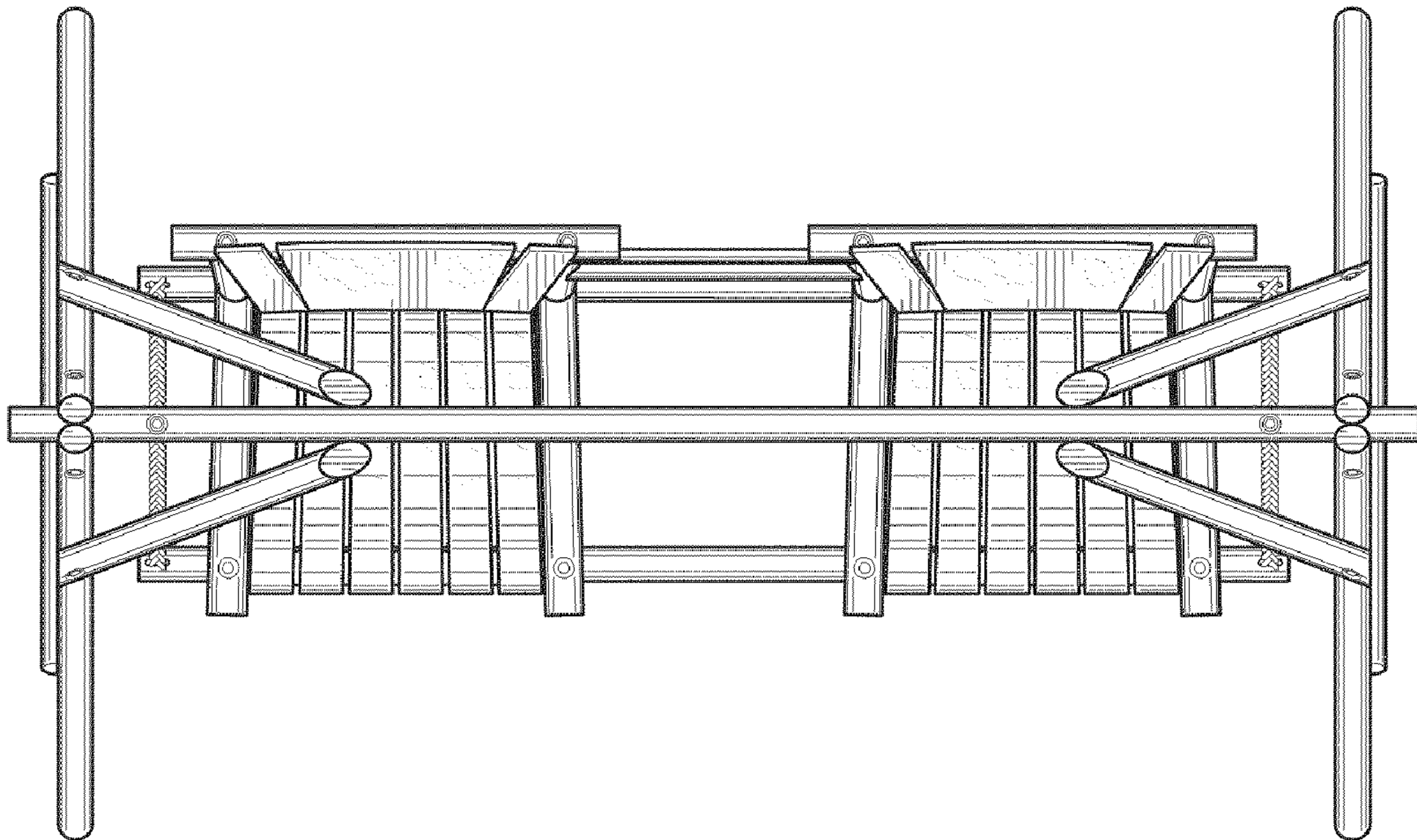


FIG. 6

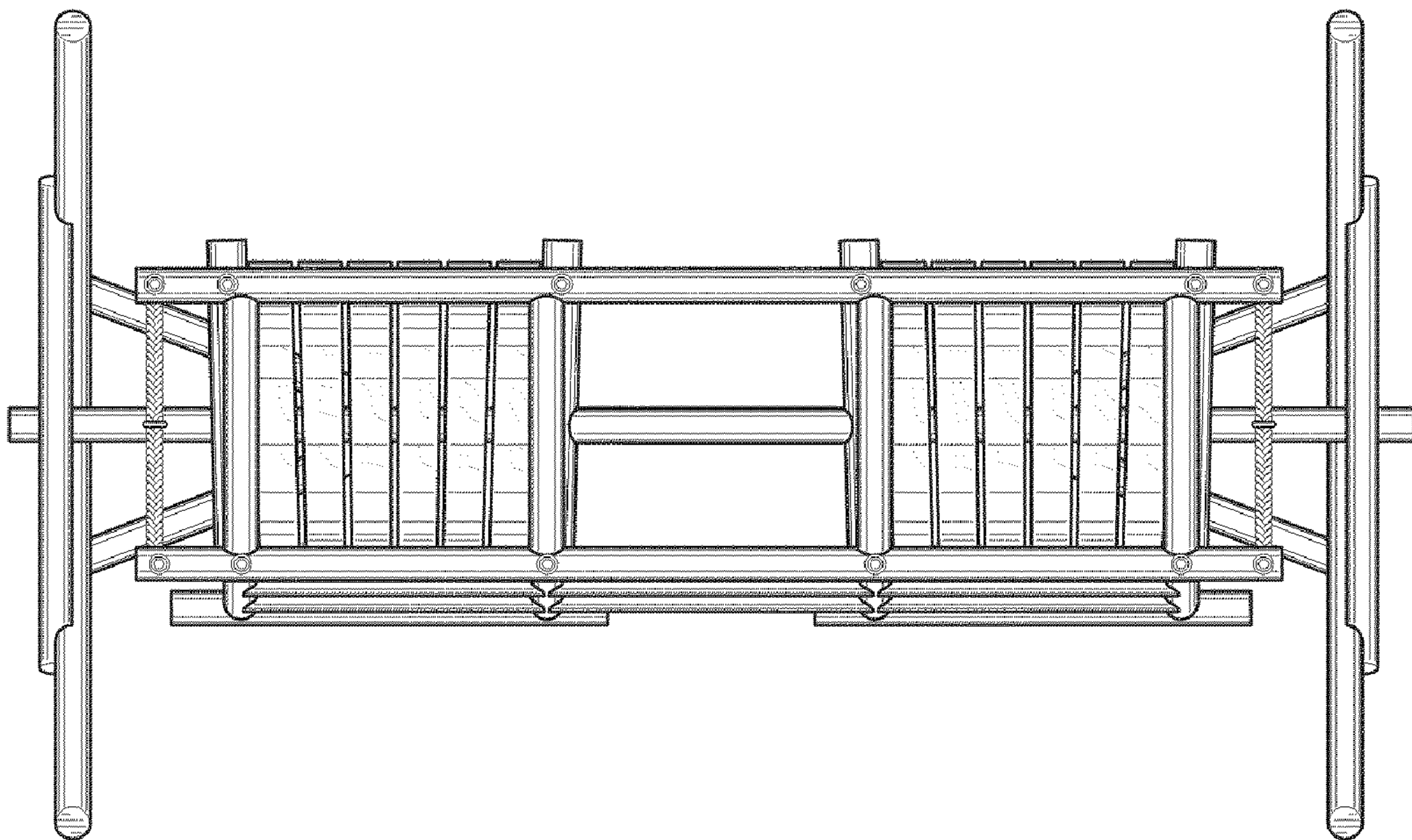


FIG. 7